

DEPARTMENT OF MOTOR VEHICLES
 Agency of Transportation

 120 State St
 Montpelier, Vermont 05603-0001
 (voice) 802.828.2064
 (fax) 802.828.5418

dmv.vermont.gov

DATE																
NAME OF COMPANY / CARRIER												TELEPHONE #				
STREET						CITY						STATE		ZIP		
YOUR TELEPHONE #								YOUR FAX #								
DOES THIS LOAD CONTAIN HAZARDOUS MATERIALS? <input type="checkbox"/> YES <input type="checkbox"/> NO If "YES", a copy of the shipping documents must be provided.																
TRUCK MAKE				REG. #		STATE		REG. WEIGHT				# OF AXLES				
TRAILER MAKE				REG #		STATE		# OF AXLES		MOBILE HOME SERIAL # (Last 4 digits)						
LOAD DESCRIPTION				GROSS WEIGHT		OVERALL WIDTH				OVERALL HEIGHT		OVERALL LENGTH				
EMPTY WIDTH		EMPTY WEIGHT		POINT OF ORIGIN (CITY, STATE/PROVINCE)								FINAL DESTINATION (CITY, STATE/PROVINCE)				
EXACT MILEAGE FROM STARTING POINT TO STATE/INTERSTATE HWY.								EXACT MILEAGE FROM INTERSTATE/STATE HWY TO DESTINATION								
ROUTE REQUESTED																
AXLE #	1	2	3	4	5	6	7	8	9	10	11	12	13	14	15	16
AXLE WEIGHTS																
TIRE WIDE (INCHES)																
# OF TIRES	1-2	2-3	3-4	4-5	5-6	6-7	7-8	8-9	9-10	10-11	11-12	12-13	13-14	14-15	15-16	16-17
AXLE SPACING																

SPECIAL INSTRUCTIONS
THIS REQUEST WILL NOT BE PROCESSED UNLESS COMPLETED, ACCORDING TO THE INSTRUCTIONS BELOW

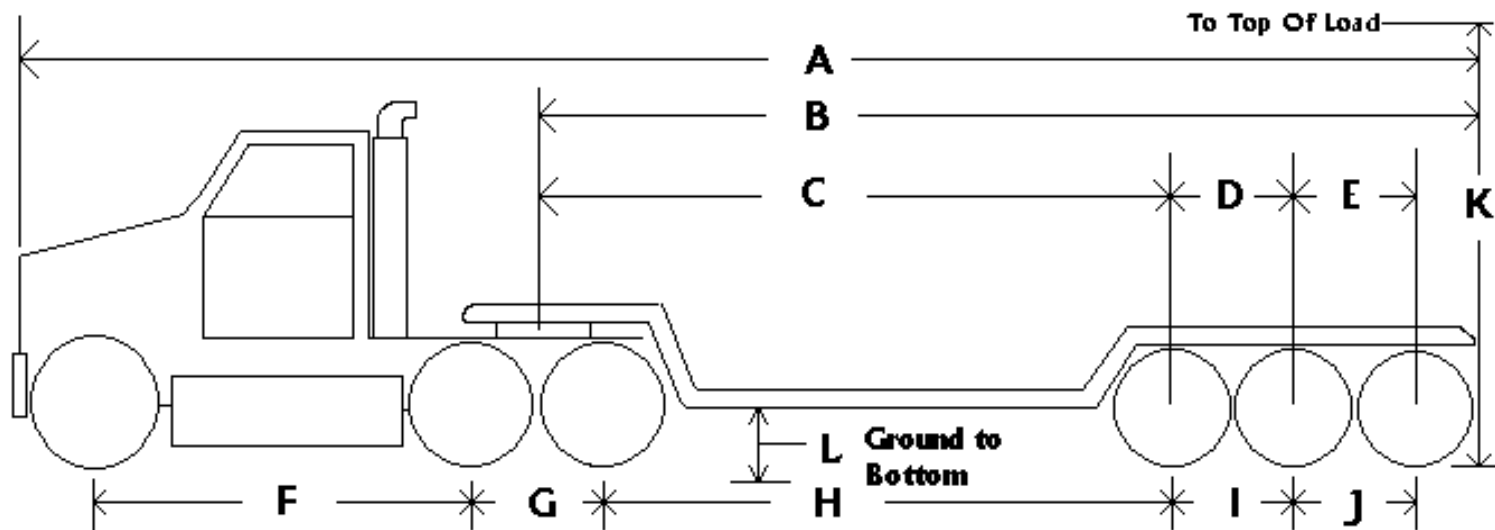
- Diagram showing tire size, axle spacing, axle weights and dimensions of truck/tractor and load.
- Special certificate of insurance showing a minimum of \$250,000 for death or injury of one person, \$500,000 for each death or injury to two or more persons and \$250,000 property damage, all arising out of any one incident, must be on file with the Department of Motor Vehicles.
- Diagram showing overhang dimensions, location of pivot points and axles.
- Letter from all utilities involved, if applicable.
- Written approval of selectmen or other authorized persons when city or town roads are to be used.

Any of the required information not provided with the application will constitute an incomplete request and will be returned and not processed until the application is made complete. The Agency of Transportation has ten (10) working days for review of applications from the date a complete application is received.

*****SURVEY FEES*****

- ◆ \$300.00 prefabricated homes
- ◆ \$800.00 loads less than 150,000 lbs.
- ◆ \$2,000.00 loads 150,000 lbs. to 200,000 lbs.
- ◆ \$5,000.00 loads 200,001 lbs. to 250,000 lbs.
- ◆ \$10,000.00 loads 250,001 lbs. and over

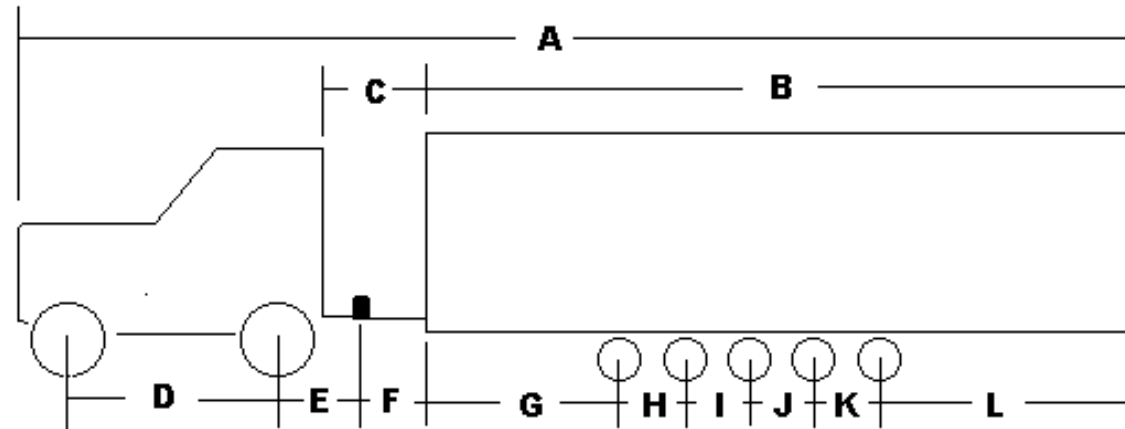
A \$40.00 permit fee will be charged for each permit submitted with the survey. Surveys requiring over 8 hours to process will be charged \$60.00 for each additional hour.



A	F	K
B	G	L
C	H	
D	I	
E	J	

**THIS IS ONLY AN "EXAMPLE" OF WHAT IS REQUIRED FOR MEASUREMENTS FOR A SUPERLOAD.
PLEASE DESIGN YOUR OWN AND ADD AXLES, ETC. AS REQUIRED.**

FOR MOBILE HOMES ONLY



A	E	I
B	F	J
C	G	K
D	H	L

ALL MEASUREMENTS MUST BE COMPLETED. DELETE OR ADD AXLES AS NECESSARY.