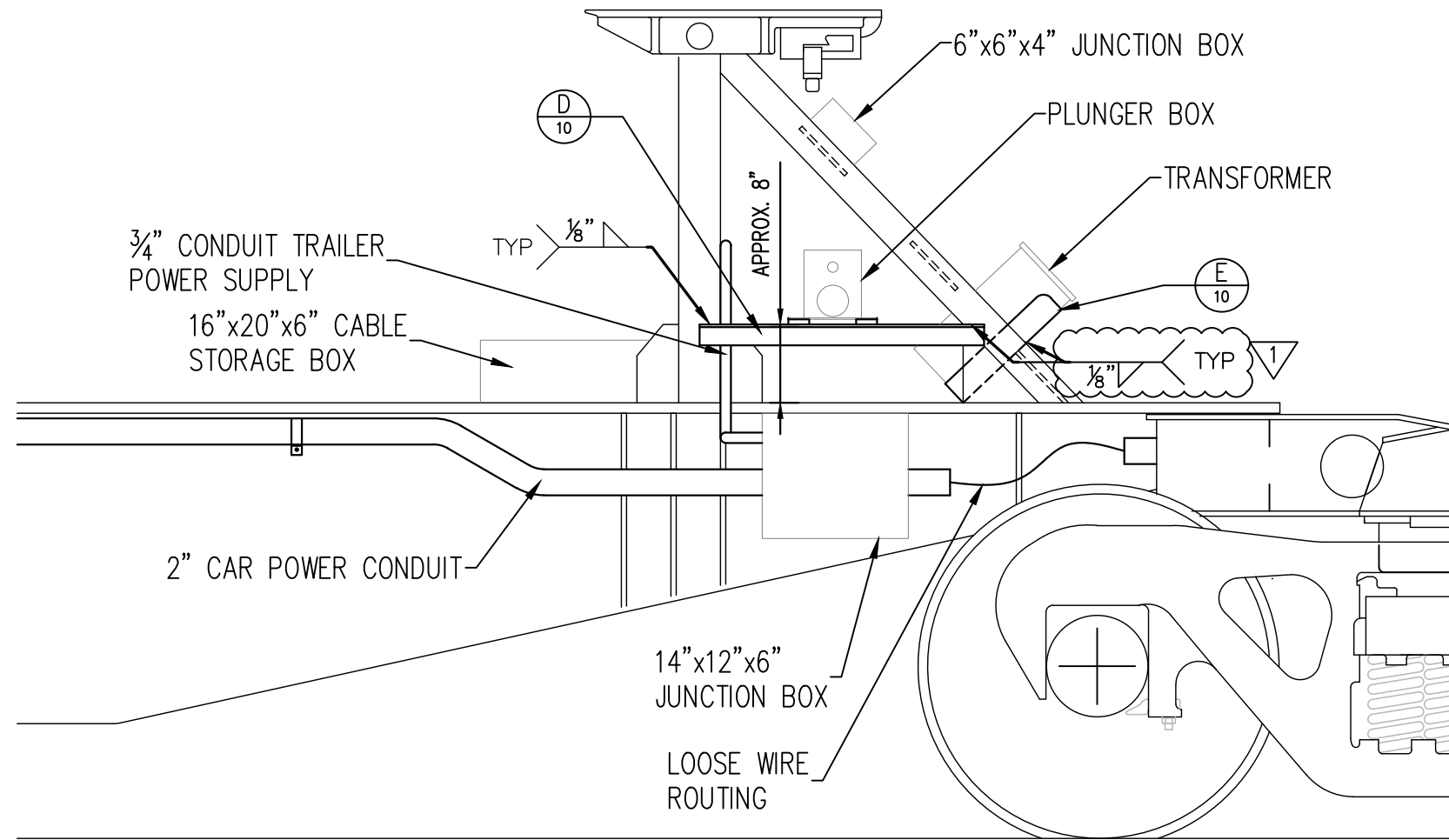
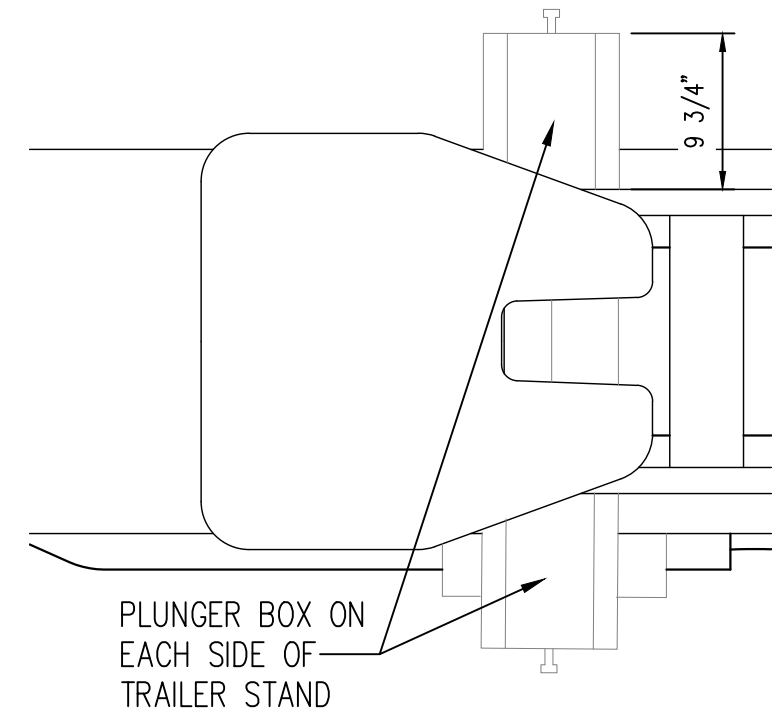


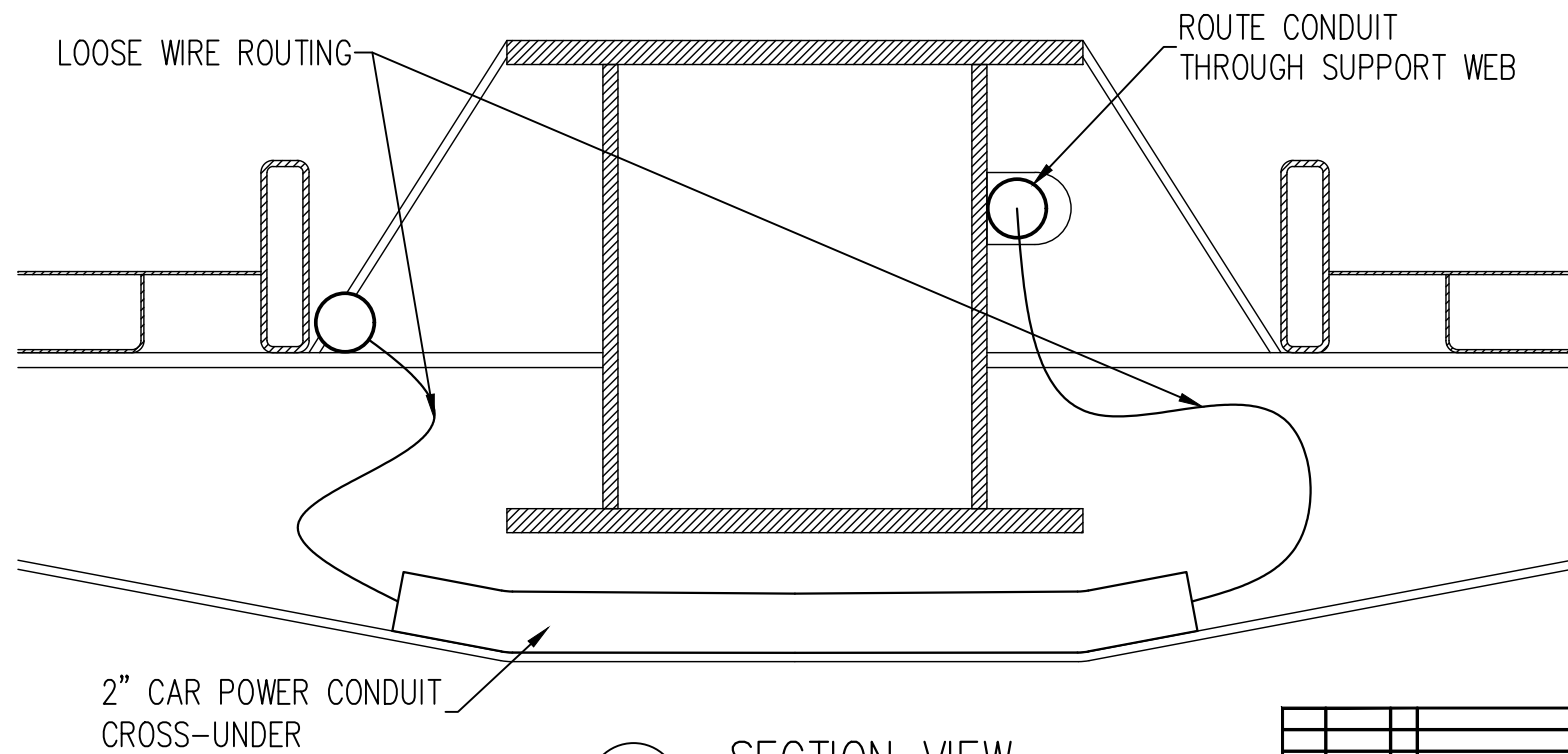
P:\Engineering\ACAD\eng-projects\Flatcars\ARR 19100's\2019 480v Electrification\DRAWINGS\ARR 19100 Electrification.dwg VP:ort: SHT 9 Plot Style: 750C-Half.ctb



B
9 UNIT C TRAILER STAND – RIGHT SIDE VIEW
NO SCALE



D
9 UNIT C TRAILER STAND – PLAN VIEW
NO SCALE



C
9 SECTION VIEW
NO SCALE

REV.	DATE	BY	REVISION
✓	5/21/20	JAK	WELD SIZE ADDED & WELDMENT SYMBOL CORRECTION

ALASKA RAILROAD CORPORATION ENGINEERING SERVICES P.O. BOX 107500, ANCHORAGE, ALASKA 99510-7500		
PROJECT : MOTIVE POWER AND EQUIPMENT ARR 19116-19144 480v ELECTRIFICATION		
TITLE: CAR UNIT C DETAILS		
DESIGNED BY: ARRC	SCALE : NO SCALE	A/E NO.:
DRAWN BY: CDL	CHECKED BY: JAK	ACAD FILE:
APPROVED BY:	DATE : 05/01/2020	DWG NO. 9 OF 13