



ALASKA RAILROAD CORPORATION
327 W. Ship Creek Ave.
Anchorage, AK 99501
Phone 907-885-1747
says@akrr.com

January 22, 2024

Addendum 5
ITB # 23-83-312846
2024 Track Material

This addendum is issued to attach a drawing for line item number 3, 14", 115# Tie Plates.

The closing date for this ITB was changed on Addendum 3.
Bids will be received until February 1st, 2024 at 2:00 PM Alaska time.

For the line item number 3, please see the following page for an ARRC standard drawing.

Please direct all responses and/or questions concerning this solicitation and addenda directly to:

Sazil Say

Procurement Administrator

says@akrr.com

907.265.8747 office

907.885.1747 mobile

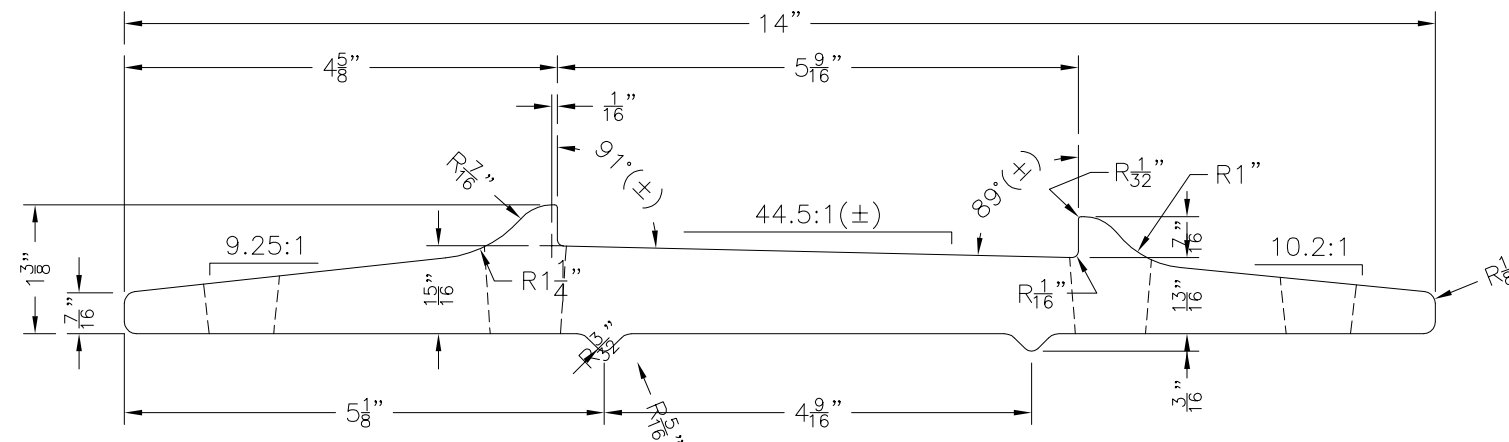
physical: 327 W. Ship Creek Ave, Anchorage, AK 99501



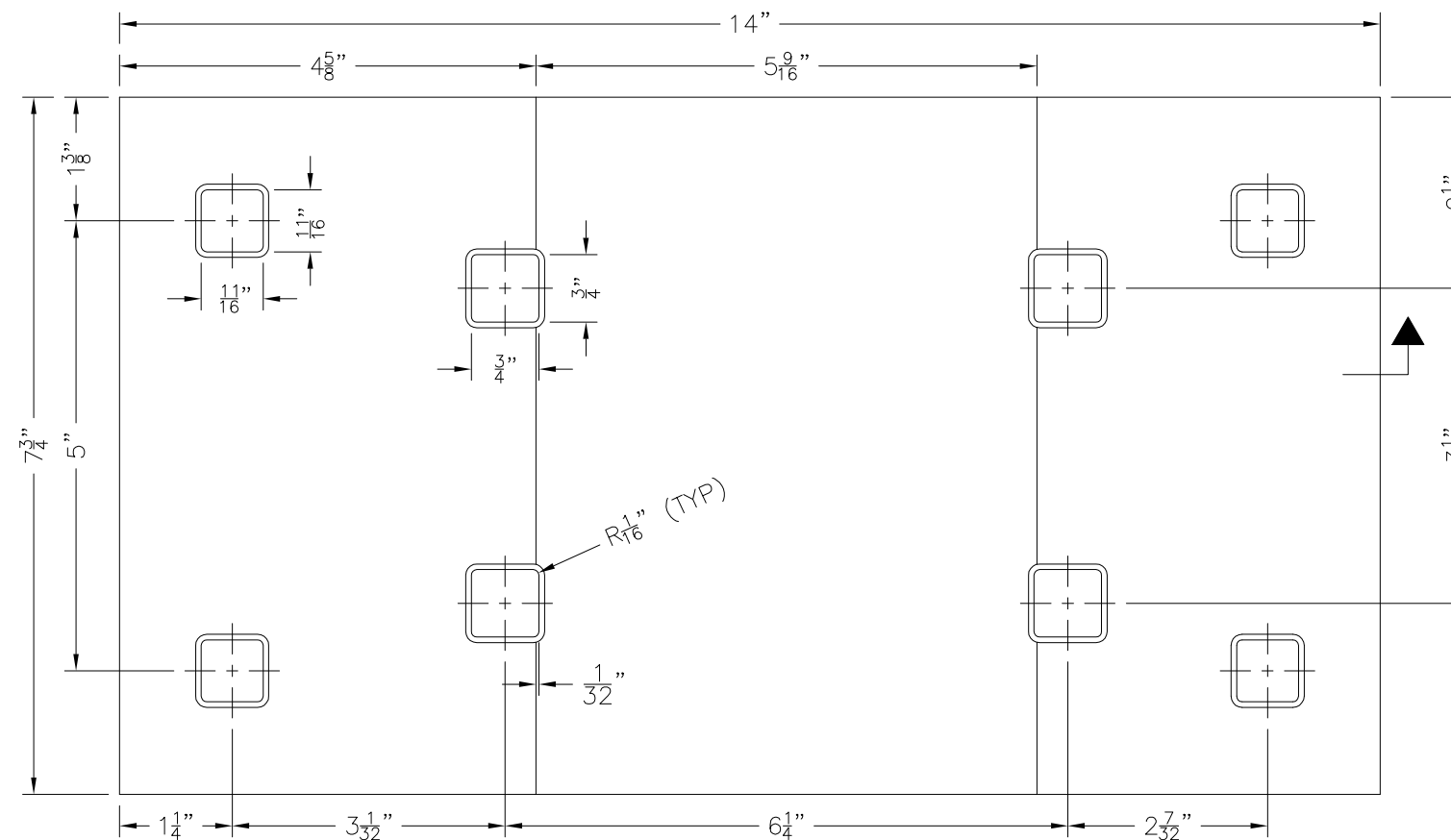
NOTES

1. ALL PLATES TO BE MANUFACTURED IN ACCORDANCE WITH AREMA CHAPTER 5, PART 1, SECTION 1 AND CONFORMING TO FIGURE 5-1-6, PLAN No. 8 - AREMA 14" TIE PLATE FOR 5 1/2" RAIL BASE WIDTH WITH PUNCHING "A" (8 SPIKE HOLES). HOLES PUNCHED FROM BOTTOM.
2. RIBS ON BOTTOM OF PLATE PREFERRED BUT NOT REQUIRED.

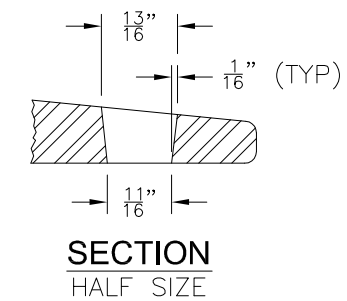
ESTIMATED WEIGHT = 23.12 LBS. (RIBBED)
 22.19 LBS. (NON-RIBBED)



SIDE VIEW
 HALF SIZE



TOP VIEW
 HALF SIZE



SECTION
 HALF SIZE

ALASKA RAILROAD CORPORATION OFFICE OF THE CHIEF ENGINEER P.O. BOX 107500, ANCHORAGE, ALASKA 99510-7500 (907) 265-2456		
STANDARD TIE PLATE - 7-3/4" x 14" FOR 115 LB. RE RAIL		
APPROVED:	DATE:	
DESIGNED BY:	SCALE: AS NOTED	FILE: s4-12.dwg
DRAWN BY: BBF	DATE: 5/02	4.12
APPROVED BY: ENG DEPT		