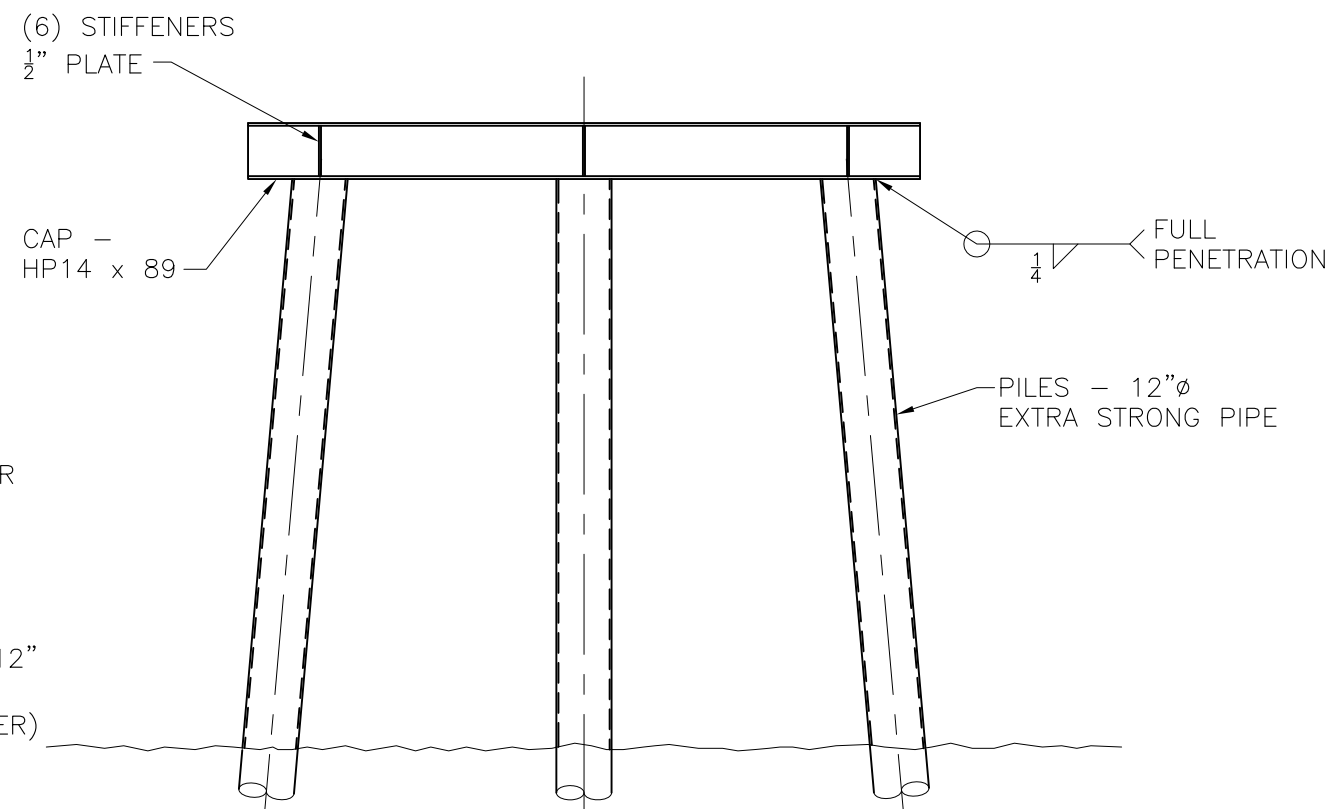



TYPICAL FRAMED TIMBER BENT

SCALE: 1/4" = 1'-0"



TYPICAL 3-PILE STEEL BENT

SCALE: 1/4" = 1'-0"

 ALASKA RAILROAD CORPORATION OFFICE OF THE CHIEF ENGINEER P.O. BOX 107500, ANCHORAGE, ALASKA 99510-7500 (907) 265-2456		
STANDARD FRAMED TIMBER BENT AND 3-PILE STEEL BENT		
APPROVED:	DATE:	
DESIGNED BY:	SCALE: AS NOTED	FILE: s100-25.dwg
DRAWN BY: BBF		100.25
APPROVED BY: ENG DEPT	DATE: 7/31/2002	