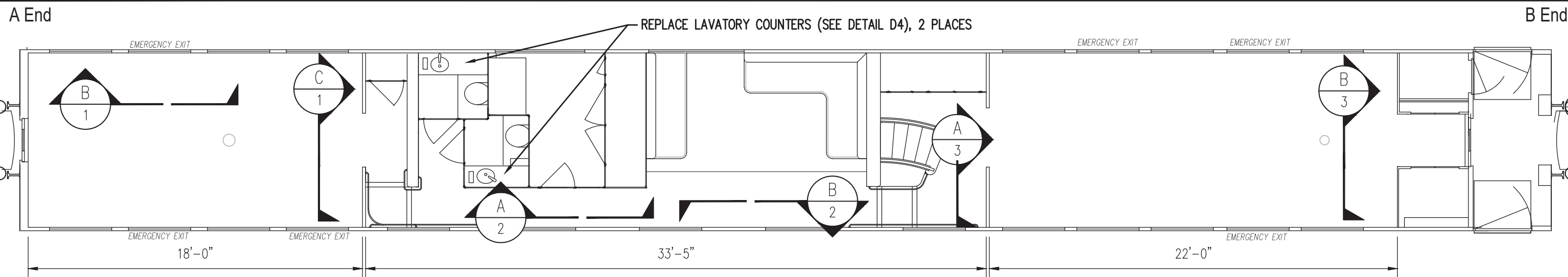


P:\Engineering\Motive Power and Equipment\2. Passenger\Passenger Equipment Rehab\2023 Projects\ARR 502 Interior Refurb\ARR 502 Interior Upgrades.dwg



**A**  
1  
**MAIN LEVEL FLOOR PLAN**  
SCALE: NTS



- REMOVE & REPLACE EXISTING CARPET AND ALUMINUM TRIM WITH NEW WF1 (4 PLCS)
- COVER EXISTING LAMINATE WITH NEW WF1 (4 PLCS)
- REMOVE & REINSTALL WINDOW SURROUNDS AFTER LAMINATE WORK (18 PLCS)
- COVER EXISTING LAMINATE BETWEEN WINDOWS WITH NEW WF1 (22 PLCS)
- COVER EXISTING LAMINATE WITH NEW WF1 (4 PLCS)

**B**  
1  
**PASSENGER COMPARTMENT WALLS**  
SCALE: NTS



- REMOVE & REPLACE EXISTING CARPET WITH WF1 LAMINATE (2 PLCS)
- REMOVE & REINSTALL EXISTING ARTWORK AFTER LAMINATE WORK

**C**  
1  
**PASSENGER COMPARTMENT BULKHEAD**  
SCALE: NTS

WALL FINISH LEGEND

WF1 — HIGH PRESSURE LAMINATE	WF2 — HIGH PRESSURE LAMINATE
MANUFACTURER: FORMICA	MANUFACTURER: FORMICA
COLOR: 920-58 'ALMOND'	COLOR: M2178 'BRUSHED
ADHESIVE: 3M 1357 OR EQUAL	ADHESIVE: 3M 1357 OR EQUAL

<b>ALASKA RAILROAD CORPORATION</b> ENGINEERING SERVICES P.O. BOX 107500, ANCHORAGE, ALASKA 99510-7500		
PROJECT :		
<b>MOTIVE POWER AND EQUIPMENT PASSENGER EQUIPMENT</b>		
TITLE:		
<b>ARR 502 DOME COACH INTERIOR REFURB MAIN LEVEL WALL LAMINATES</b>		
DESIGNED BY: ARRC	SCALE : NTS	AFE NO.: 11070 FTA
DRAWN BY: CDL	DATE : NOVEMBER 2023	ACAD FILE:
CHECKED BY: ARRC		DWG NO. <b>1</b> OF <b>4</b>
APPROVED BY: ARRC		



**A**  
2 **INSIDE HALLWAY WALLS**  
SCALE: NTS

REMOVE & REPLACE DECAYED  $\frac{1}{2}$ " LAMINATED PLYWOOD WITH  $\frac{1}{2}$ " CABINET GRADE PLYWOOD LAMINATED WITH WF1 ON FINISH SURFACE ALONG HALLWAY WALL AND CEILING

REPLACE PAINTED TRIM WITH RAW ALUMINUM FLAT BAR OR ANGLE AS REQUIRED

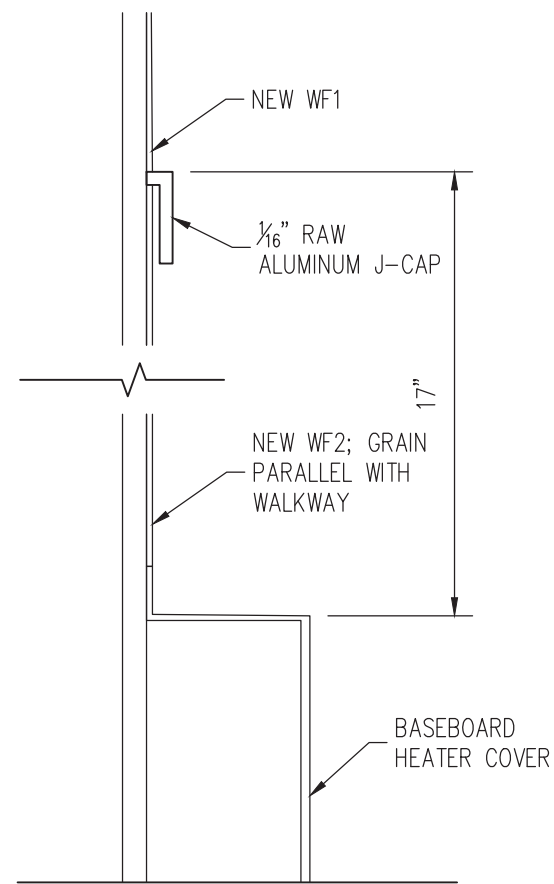
REMOVE & REINSTALL GRILLES AND LIGHT FIXTURES AFTER LAMINATE WORK

REMOVE & REINSTALL FIXTURES, HANDRAILS AND TOOLS AFTER LAMINATE WORK

EMERGENCY SIGNAGE REPLACED BY ARRC

COVER EXISTING LAMINATE WITH NEW WF1 ALONG HALLWAY

REMOVE AND REPLACE EXISTING CARPET AND STAINLESS WALL COVERING WITH NEW WF2 LAMINATE AND J-CAP ALONG HALLWAY AS SHOWN IN REPLACEMENT DETAIL C2




**C**  
2 **HALLWAY REPLACEMENT SECTION**  
SCALE: NTS



**B**  
2 **OUTSIDE HALLWAY WALLS**  
SCALE: NTS

REPLACE PAINTED TRIM WITH RAW ALUMINUM FLAT BAR OR ANGLE AS REQUIRED

REMOVE & REINSTALL WINDOW SURROUNDS AFTER LAMINATE WORK (5 PLCS)

 <b>ALASKA RAILROAD CORPORATION</b> ENGINEERING SERVICES P.O. BOX 107500, ANCHORAGE, ALASKA 99510-7500		
PROJECT : <b>MOTIVE POWER AND EQUIPMENT PASSENGER EQUIPMENT</b>		
TITLE: <b>ARR 502 DOME COACH INTERIOR REFURB MAIN LEVEL WALL LAMINATES</b>		
DESIGNED BY: ARRC	SCALE : NTS	AFE NO.: 11070 FTA
DRAWN BY: CDL		ACAD FILE:
CHECKED BY: ARRC	DATE : NOVEMBER 2023	DWG NO. <b>2</b> OF <b>4</b>
APPROVED BY: ARRC		



REPLACE PAINTED TRIM WITH RAW ALUMINUM FLAT BAR OR ANGLE AS REQUIRED

EMERGENCY SIGNAGE REPLACED BY ARRC

REMOVE & REINSTALL FIXTURES AFTER LAMINATE WORK.

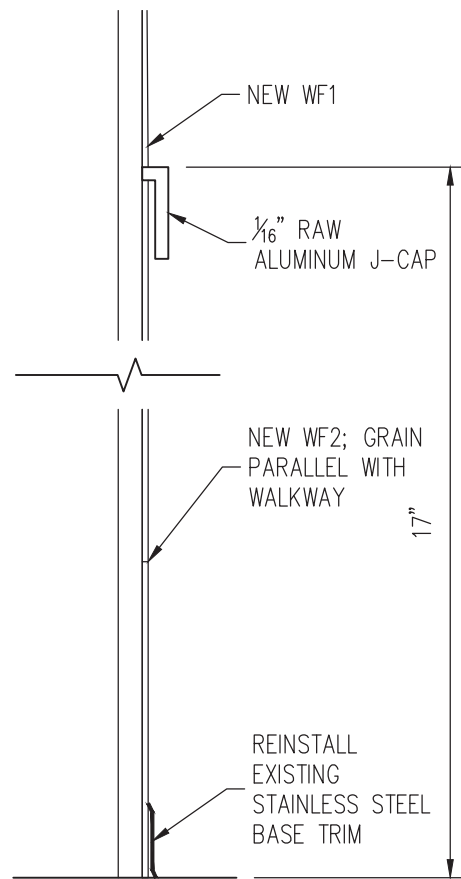
COVER EXISTING LAMINATE WITH NEW WF1 ALONG HALLWAY

REMOVE AND REPLACE EXISTING CARPET AND STAINLESS WALL COVERING WITH NEW WF2 LAMINATE AND J-CAP ALONG HALLWAY AS SHOWN IN REPLACEMENT DETAIL C3

REMOVE & REPLACE EXISTING CARPET WITH WF1 LAMINATE (2 PLCS)

REMOVE & REINSTALL EXISTING ARTWORK AFTER LAMINATE WORK


**A**  
3 HALLWAY ENDS  
SCALE: NTS

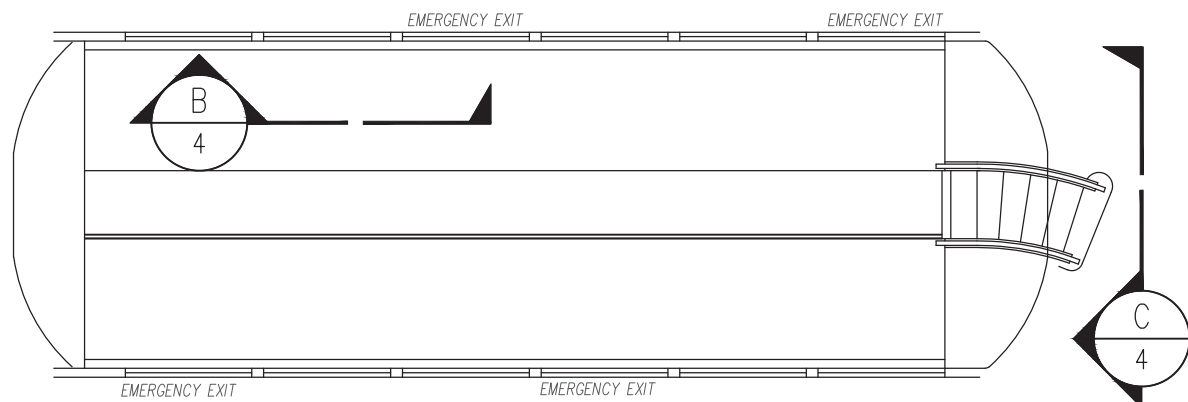


**C**  
3 HALLWAY REPLACEMENT SECTION  
SCALE: NTS

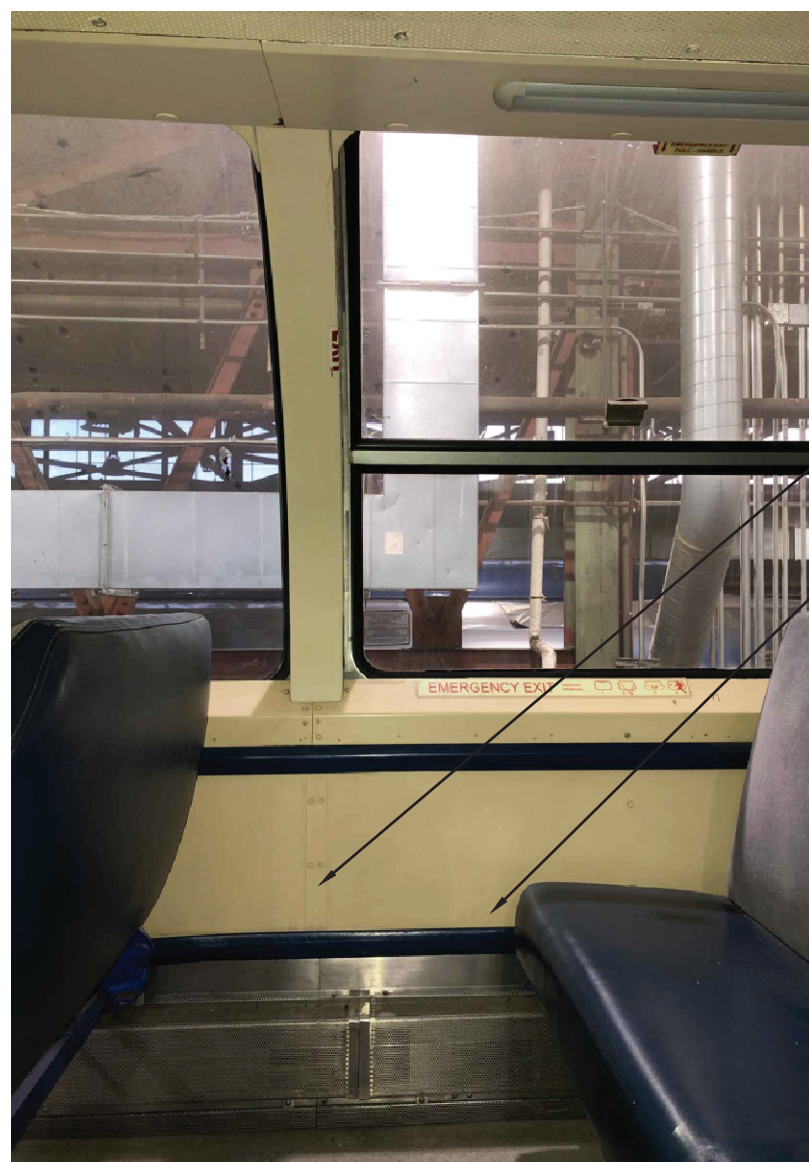


**B**  
3 CAR END BULKHEADS  
SCALE: NTS

 <b>ALASKA RAILROAD CORPORATION</b> ENGINEERING SERVICES P.O. BOX 107500, ANCHORAGE, ALASKA 99510-7500		
PROJECT : <b>MOTIVE POWER AND EQUIPMENT PASSENGER EQUIPMENT</b>		
TITLE: <b>ARR 502 DOME COACH INTERIOR REFURB MAIN LEVEL WALL LAMINATES</b>		
DESIGNED BY: ARRC	SCALE : NTS	AFE NO.: 11070 FTA
DRAWN BY: CDL	DATE : NOVEMBER 2023	ACAD FILE:
CHECKED BY: ARRC		DWG NO. <b>3</b> OF <b>4</b>
APPROVED BY: ARRC		



**A**  
4 DOME LEVEL FLOOR PLAN  
SCALE: NTS



**B**  
4 DOME WALL LAMINATE  
SCALE: NTS

REPLACE PAINTED TRIM WITH RAW ALUMINUM FLAT BAR OR ANGLE AS REQUIRED

COVER EXISTING LAMINATE WITH NEW WF1



**C**  
4 STAIR LAMINATE  
SCALE: NTS

REMOVE AND REINSTALL HANDRAILS

COVER EXISTING LAMINATE WITH WF2; GRAIN ALLIGNED VERTICALLY, FRONT FACES ONLY


PROTECT EDGES WITH NEW RAW ALUMINUM ANGLE CORNERS



**D**  
4 LAVATORY COUNTERS  
SCALE: NTS

REMOVE AND REPLACE EXISTING SOLID SURFACE LAVATORY COUNTER AND BACKSPLASH (2 PLCS) WITH NEW DUPONT CORIAN SOLID SURFACE COUNTERS AND BACK SPLASHES IN COLOR 'AURORA'

- NOTES:
1. ALL MATERIALS USED MUST MEET OR EXCEED THE SPECIFICATIONS IN 49 CFR PART 238 FOR SMOKE AND FLAME.
  2. CONTRACTOR TO PROVIDE ALL LABOR AND MATERIALS NECESSARY TO ACOMPLISH WORK DESCRIBED IN THE DRAWINGS.

 <b>ALASKA RAILROAD CORPORATION</b> ENGINEERING SERVICES P.O. BOX 107500, ANCHORAGE, ALASKA 99510-7500		
PROJECT : <b>MOTIVE POWER AND EQUIPMENT PASSENGER EQUIPMENT</b>		
TITLE: <b>ARR 502 DOME COACH INTERIOR REFURB DOME LAMINATES, COUNTERS &amp; NOTES</b>		
DESIGNED BY: ARRC	SCALE : NTS	AFE NO.: 11070 FTA
DRAWN BY: CDL	DATE : NOVEMBER 2023	ACAD FILE:
CHECKED BY: ARRC		DWG NO. <b>4</b> OF <b>4</b>
APPROVED BY: ARRC		