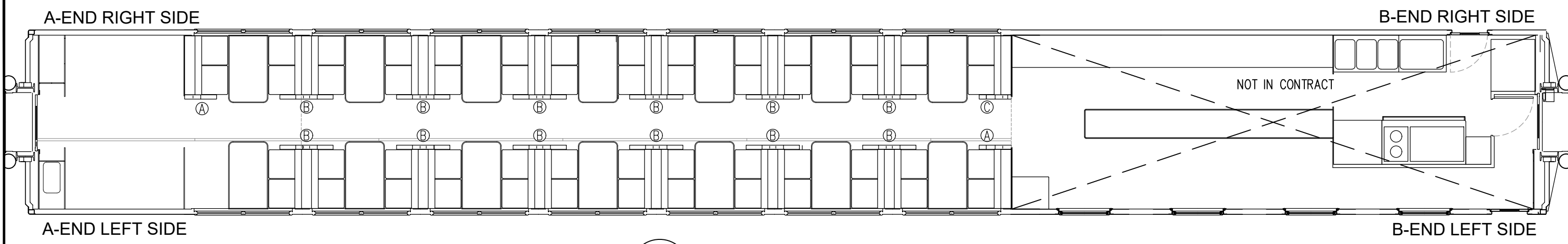
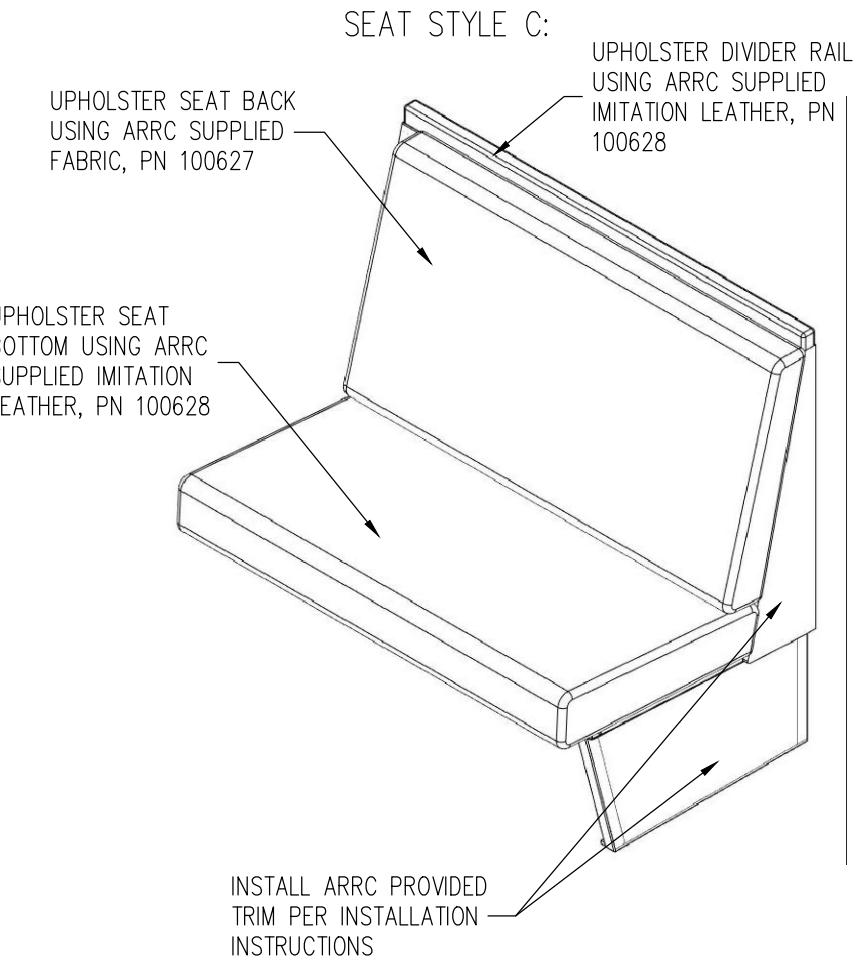
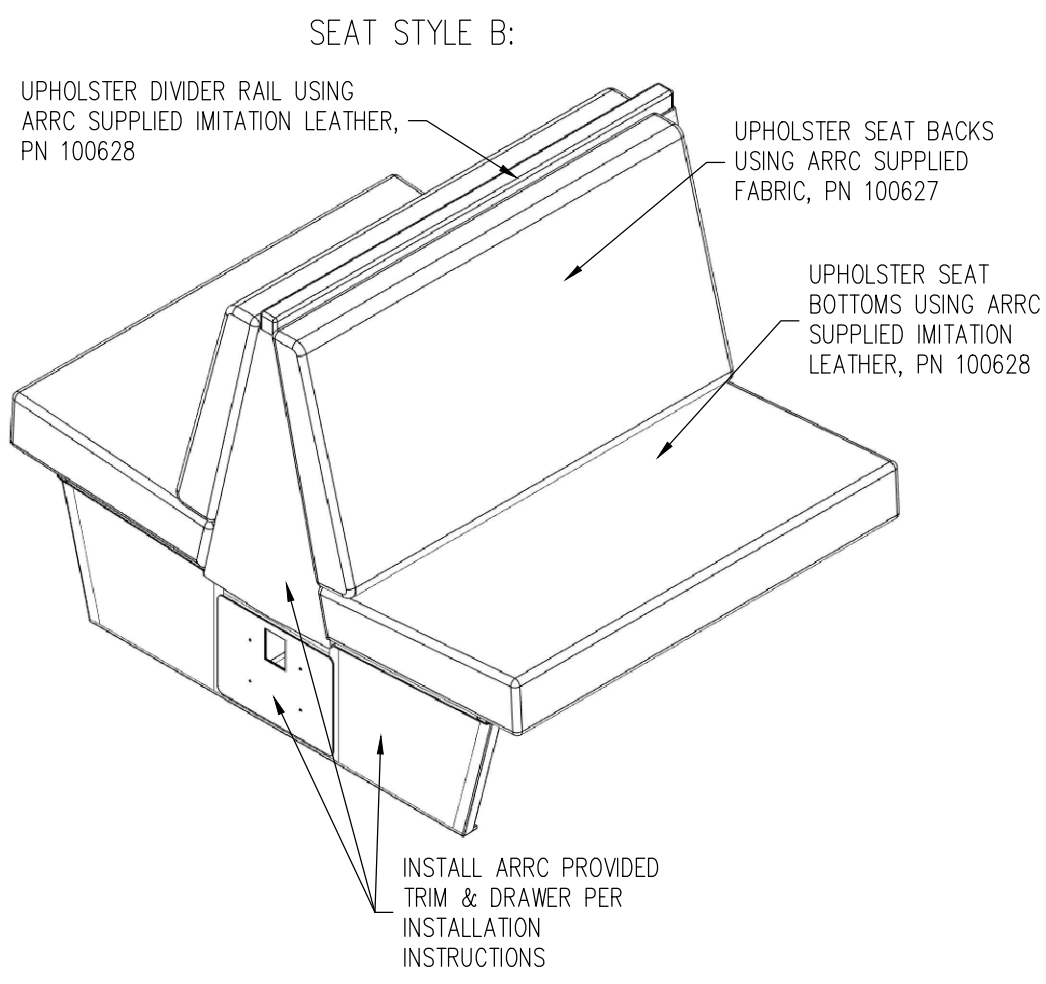
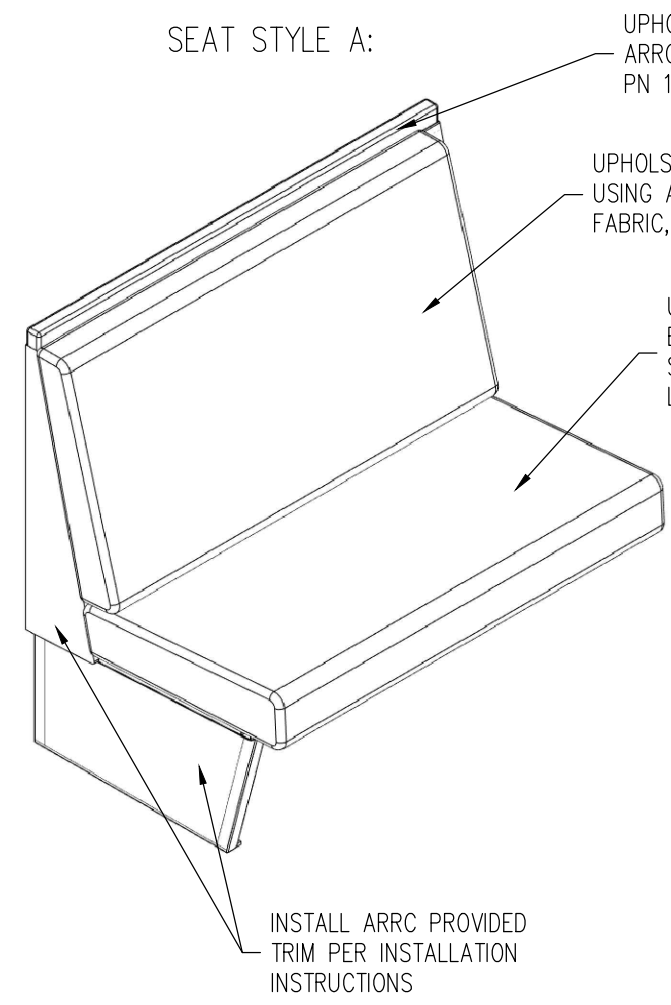


P:\Engineering\Motive Power and Equipment\2. Passenger\ARR 301, 401\ARR 301 Rebuild\ARR 301 Rebuild.dwg VPort: SEATING ARRANGEMENT Plot Style: 750C-Half.ctb



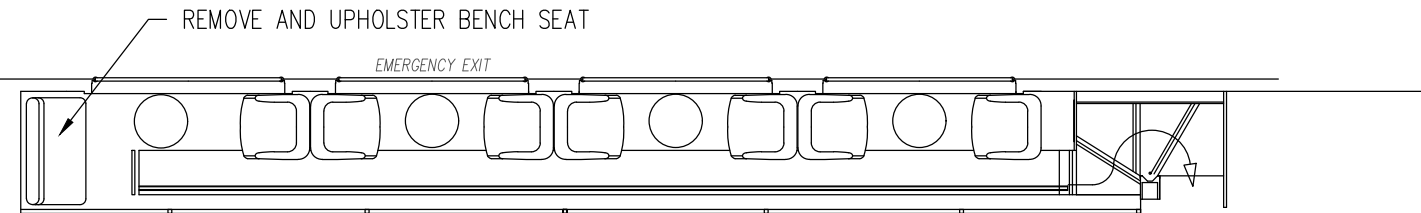
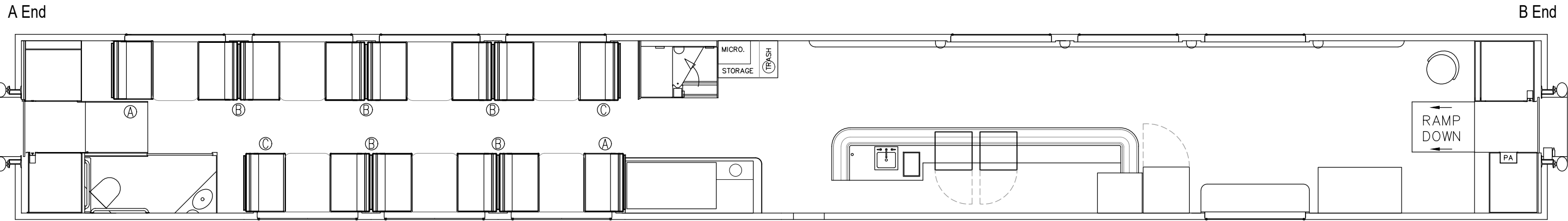
A **ARR 301 SEATING ARRANGEMENT**
1 **PLAN VIEW**



- NOTES:**
1. SEAT STYLE
 - 1.1. A: SINGLE FRAME, RIGHT (2)
 - 1.2. B: DOUBLE FRAME (12)
 - 1.3. C: SINGLE FRAME, LEFT (1)
 2. SEE CUSHION DRAWINGS FOR ARRC SUPPLIED FOAM.
 3. ALL MATERIALS USED MUST MEET OR EXCEED THE SPECIFICATIONS IN 49 CFR PART 238 FOR SMOKE AND FLAME.

ALASKA RAILROAD CORPORATION ENGINEERING SERVICES <small>P.O. BOX 107500, ANCHORAGE, ALASKA 99510-7500</small>		
PROJECT :		
MOTIVE POWER & EQUIPMENT ARR 301 CAFE REBUILD		
TITLE:		
SEATING ARRANGEMENT		
DESIGNED BY: ARRC	SCALE : N.T.S.	AFE NO.: 10970
DRAWN BY: CDL	DATE : OCTOBER 2022	ACAD FILE:
CHECKED BY: ARRC		DWG NO.
APPROVED BY: ARRC		1 OF 1

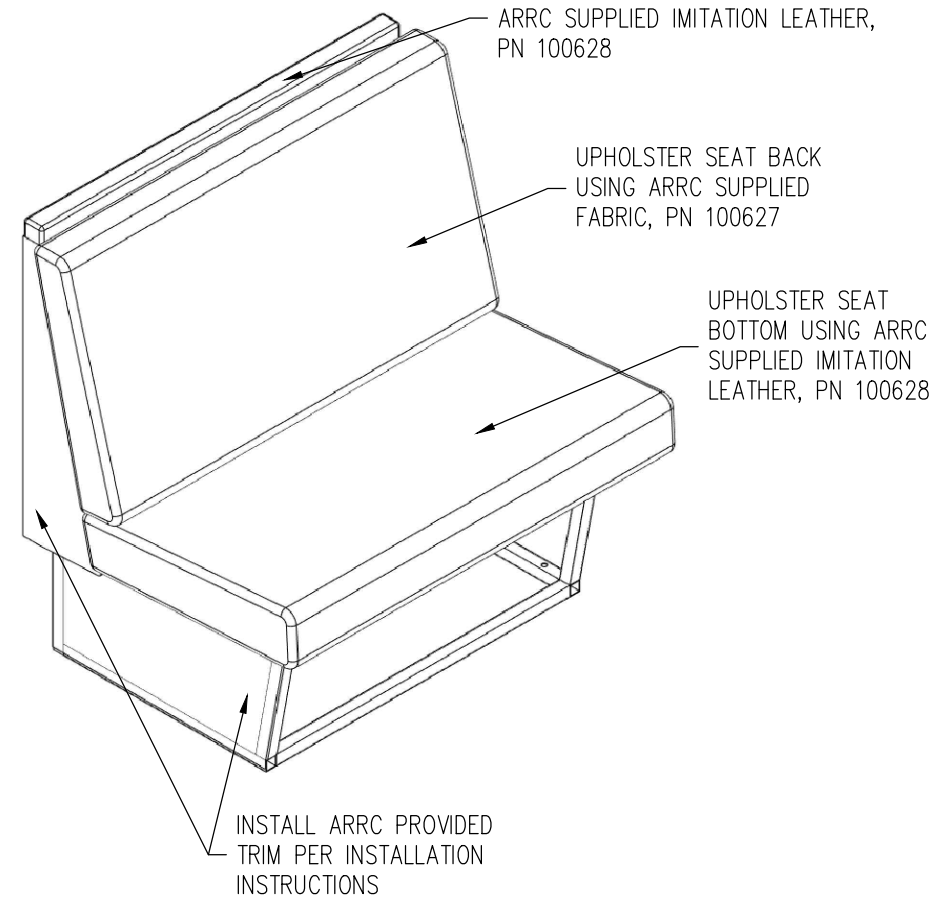
P:\Engineering\Motive Power and Equipment\2. Passenger\Passenger Equipment Rehab\2022 Projects\ARR 352 Interior Refresh\ARR 352 Proposed Arrangement.dwg



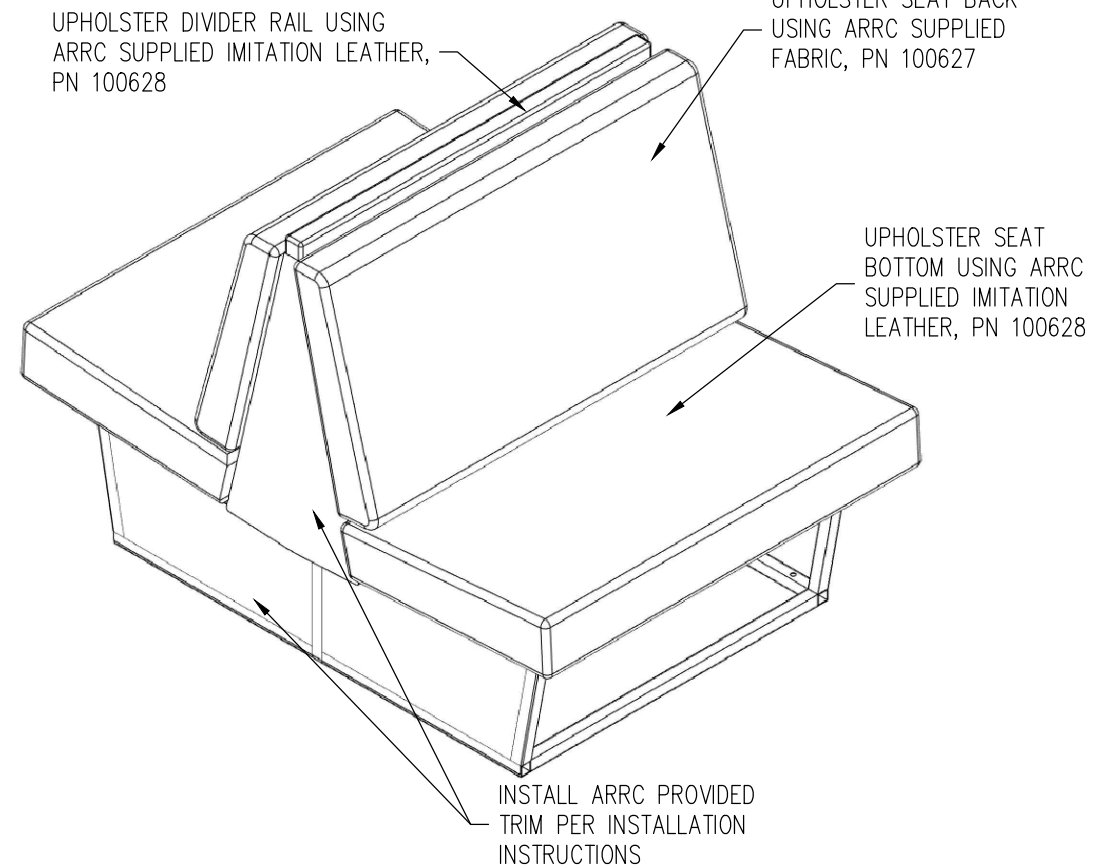
MEZZANINE

A
1 SEATING ARRANGEMENT
SCALE: NTS

SEAT STYLE A:
UPHOLSTER DIVIDER RAIL USING
ARRC SUPPLIED IMITATION LEATHER,
PN 100628



SEAT STYLE B:

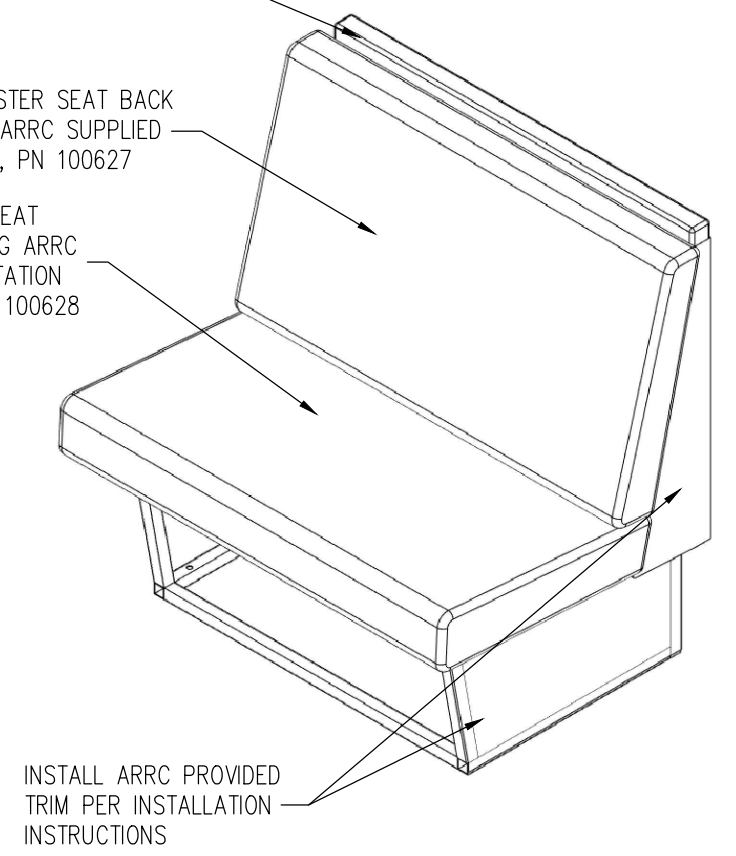


UPHOLSTER DIVIDER RAIL USING
ARRC SUPPLIED IMITATION LEATHER,
PN 100628


SEAT STYLE C:

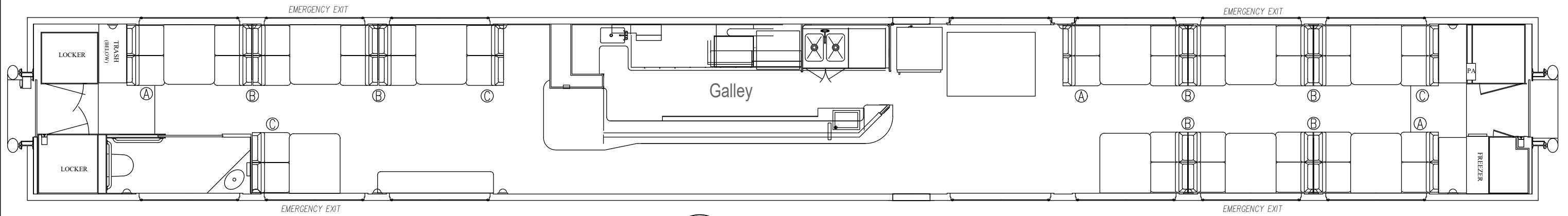
UPHOLSTER SEAT BACK
USING ARRC SUPPLIED
FABRIC, PN 100627

UPHOLSTER SEAT
BOTTOM USING ARRC
SUPPLIED IMITATION
LEATHER, PN 100628



- NOTES:
1. SEAT STYLE
 - 1.1. A: SINGLE FRAME, RIGHT (2)
 - 1.2. B: DOUBLE FRAME (5)
 - 1.3. C: SINGLE FRAME, LEFT (2)
 2. SEE CUSHION DRAWINGS FOR ARRC SUPPLIED FOAM.
 3. ALL MATERIALS USED MUST MEET OR EXCEED THE SPECIFICATIONS IN 49 CFR PART 238 FOR SMOKE AND FLAME.

 ALASKA RAILROAD CORPORATION ENGINEERING SERVICES P.O. BOX 107500, ANCHORAGE, ALASKA 99510-7500		
PROJECT :		
MOTIVE POWER AND EQUIPMENT PASSENGER EQUIPMENT		
TITLE:		
ARR 352 INTERIOR REFURBISHMENT SEATING ARRANGEMENT		
DESIGNED BY: CDL	SCALE : NTS	AFE NO.: 10970 2022 FTA
DRAWN BY: CDL	DATE : OCTOBER 2022	ACAD FILE:
CHECKED BY: ARRC		DWG NO.
APPROVED BY: ARRC		1 OF 1



A SEATING ARRANGEMENT
1 SCALE: NTS

SEAT STYLE A:



SEAT STYLE B:



SEAT STYLE C:



NOTES:

1. SEAT STYLE
 - 1.1. A: SINGLE FRAME, RIGHT (3)
 - 1.2. B: DOUBLE FRAME (6)
 - 1.3. C: SINGLE FRAME, LEFT (3)
2. SEE CUSHION DRAWINGS FOR ARRC SUPPLIED FOAM.
3. ALL MATERIALS USED MUST MEET OR EXCEED THE SPECIFICATIONS IN 49 CFR PART 238 FOR SMOKE AND FLAME.

ALASKA RAILROAD CORPORATION ENGINEERING SERVICES P.O. BOX 107500, ANCHORAGE, ALASKA 99510-7500		
PROJECT : MOTIVE POWER AND EQUIPMENT PASSENGER EQUIPMENT		
TITLE : ARR 451 & 452 INTERIOR REFURBISHMENT SEATING ARRANGEMENT		
DESIGNED BY: CDL	SCALE : NTS	AFE NO.: 10970 2022 FTA
DRAWN BY: CDL	DATE : OCTOBER 2022	ACAD FILE:
CHECKED BY: ARRC		DWG NO. 1 OF 1
APPROVED BY: ARRC		