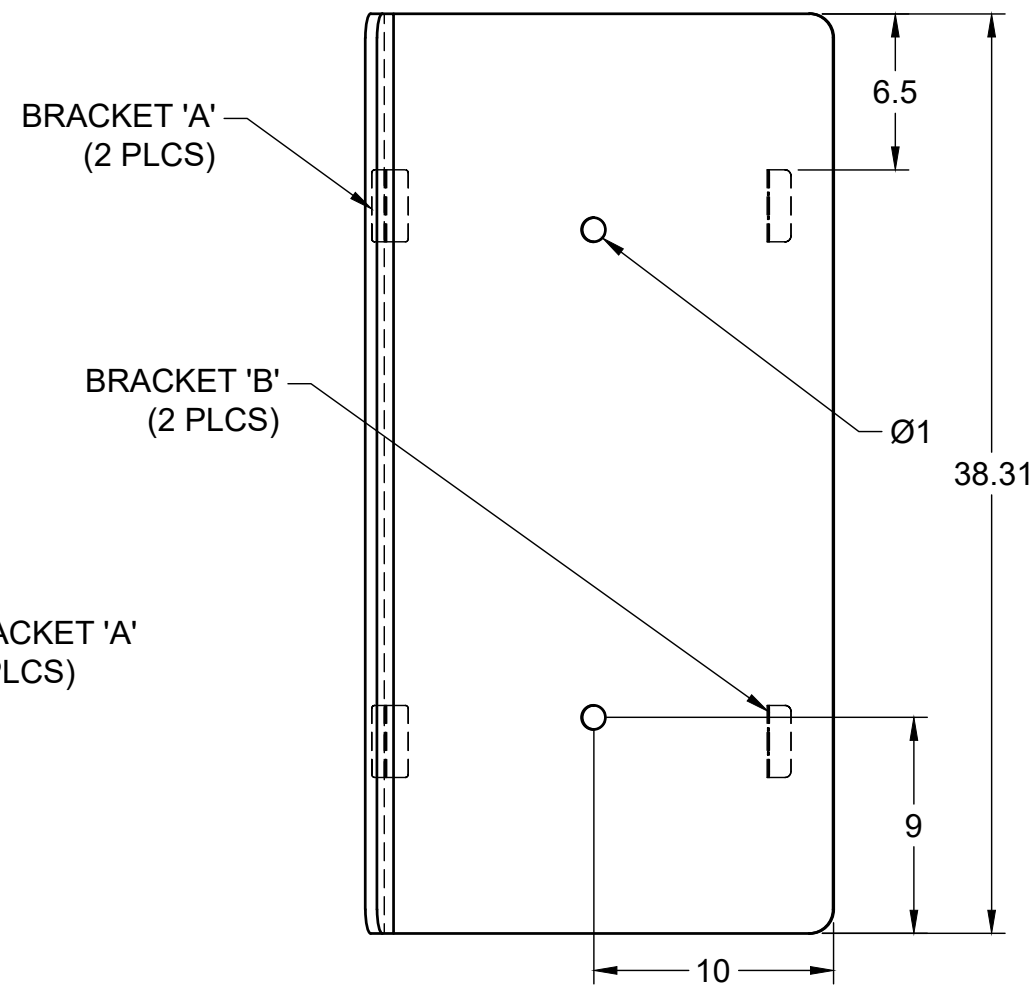


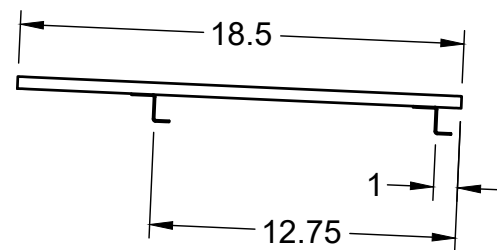
FRONT VIEW

ARR 301 DINING SEAT BACK BOARD ASSEMBLY
 PN: ARR-301-0008
 MATERIAL: 1/2" APA B-B, GROUP 1, EXPOSURE 1
 PLYWOOD OR BETTER

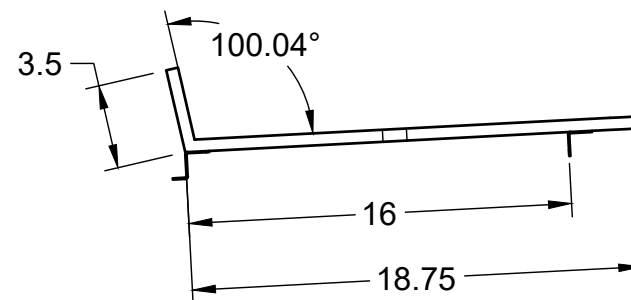


TOP VIEW

ARR 301 DINING SEAT BOTTOM BOARD ASSEMBLY
 PN: ARR-352-0009
 MATERIAL: 1/2" APA B-B, GROUP 1, EXPOSURE 1
 PLYWOOD OR BETTER



SIDE VIEW

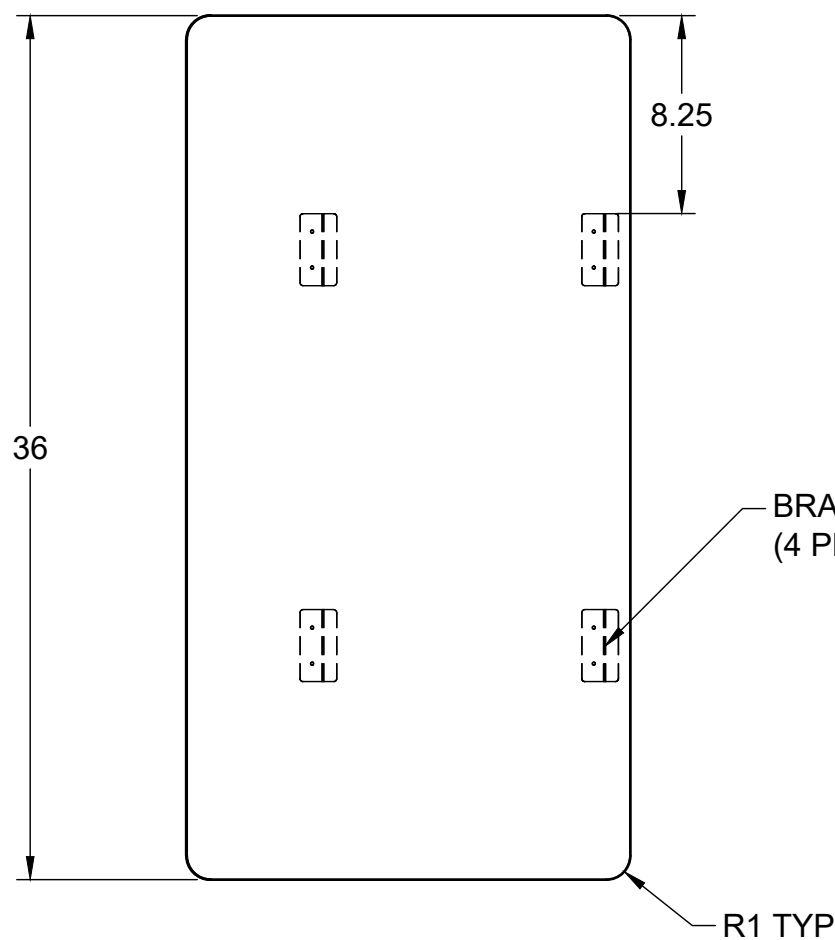


SIDE VIEW



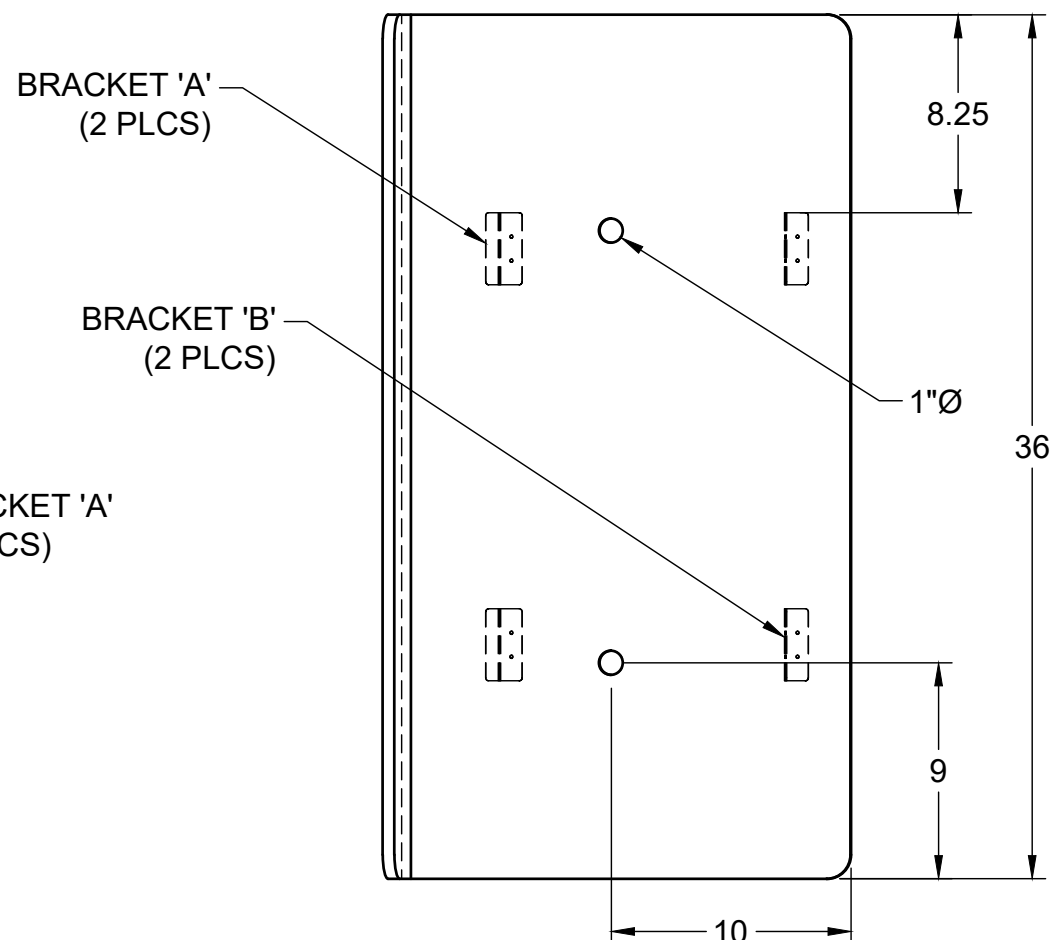
ALASKA RAILROAD
 CORPORATION
 ENGINEERING SERVICES

PROJECT			MOTIVE POWER AND EQUIPMENT PASSENGER COACHES
TITLE			ARR 301 DINING SEAT BOARDS
APPROVED	ARRC	SCALE	1:8
CHECKED	ARRC	DATE	10/6/2022
DRAWN	CDL	SHEET 1/1	



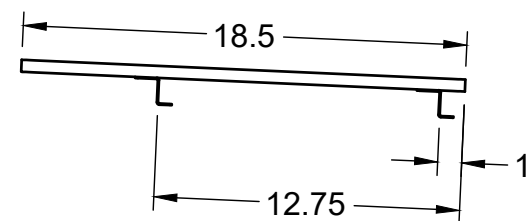
FRONT VIEW

ARR 352 DINING SEAT BACK BOARD ASSEMBLY
 PN: ARR-352-0006
 MATERIAL: 1/2" APA B-B, GROUP 1, EXPOSURE 1
 PLYWOOD OR BETTER

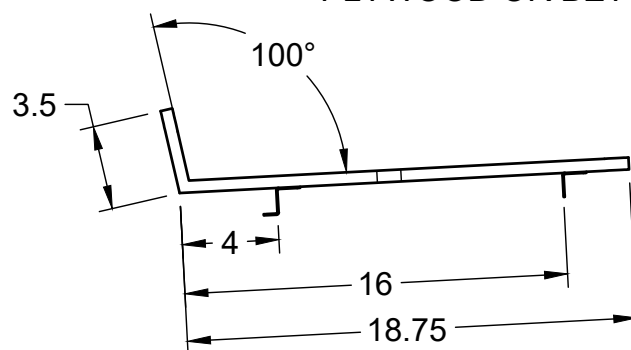


TOP VIEW

ARR 352 DINING SEAT BOTTOM BOARD ASSEMBLY
 PN: ARR-352-0007
 MATERIAL: 1/2" APA B-B, GROUP 1, EXPOSURE 1
 PLYWOOD OR BETTER



SIDE VIEW

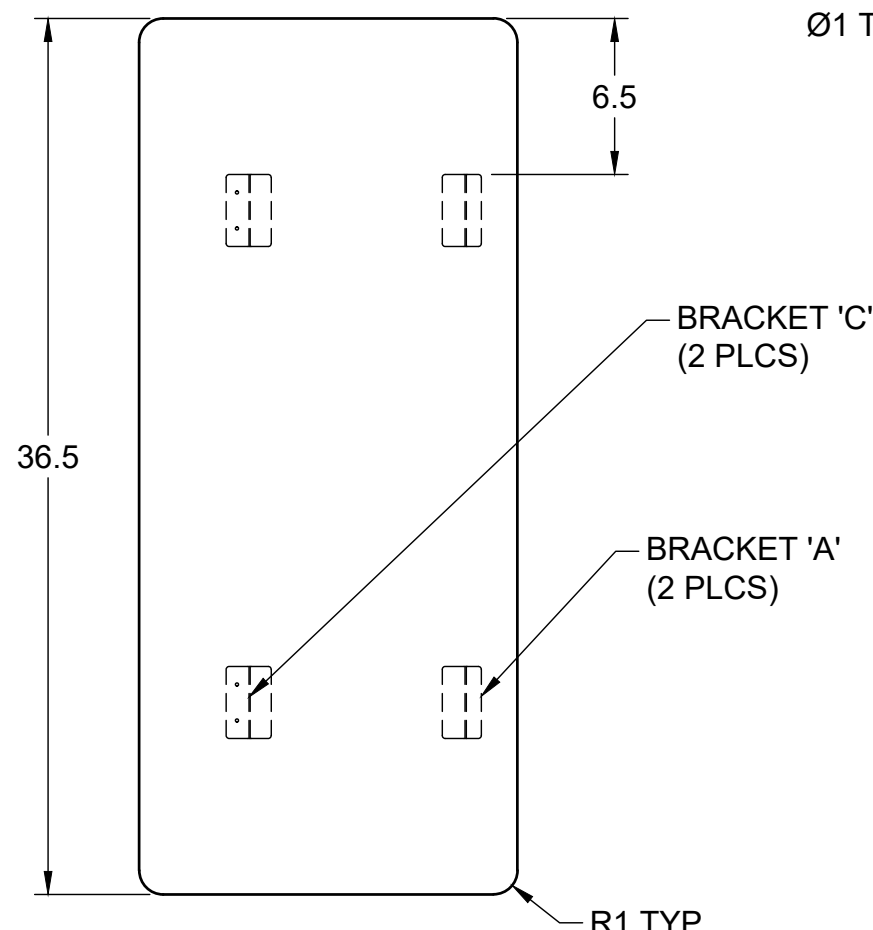


SIDE VIEW

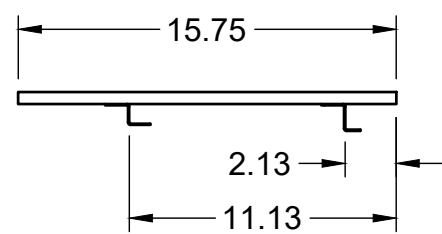


ALASKA RAILROAD
 CORPORATION
 ENGINEERING SERVICES

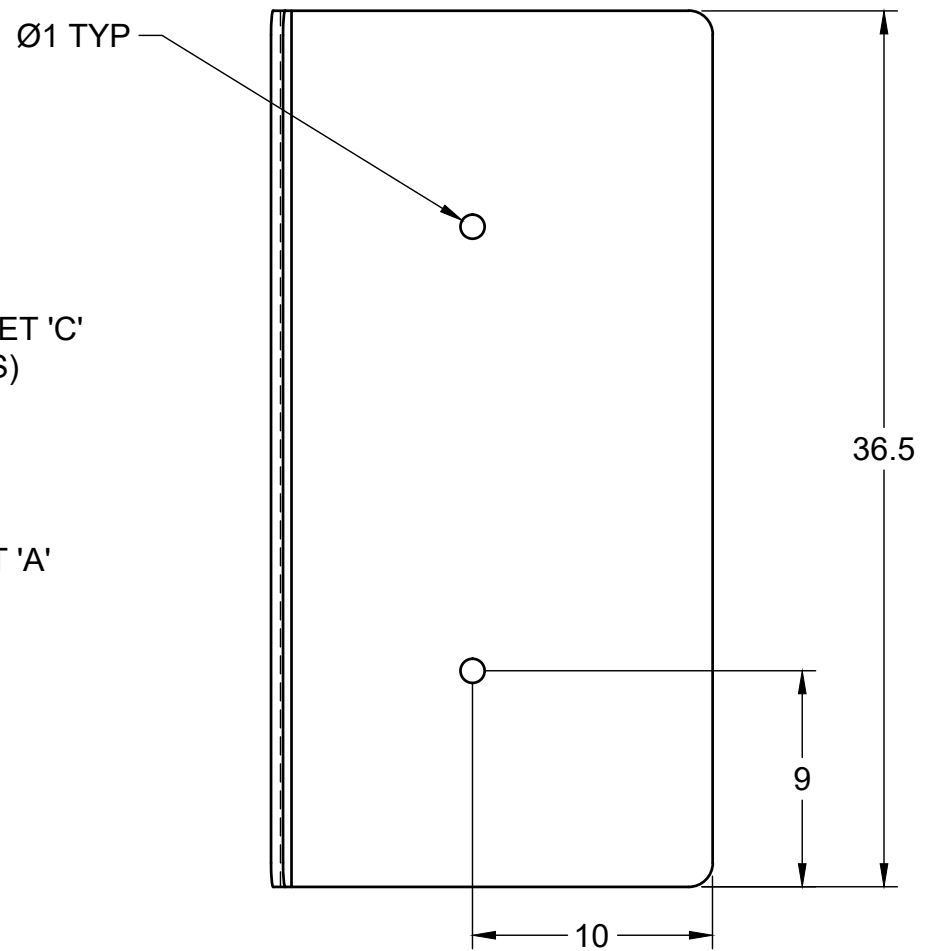
PROJECT			MOTIVE POWER AND EQUIPMENT PASSENGER COACHES
TITLE			ARR 352 DINING SEAT BOARDS
APPROVED ARRC	SCALE 1:8	SHEET 1/1	
CHECKED ARRC	DATE 10/5/2022		
DRAWN CDL			



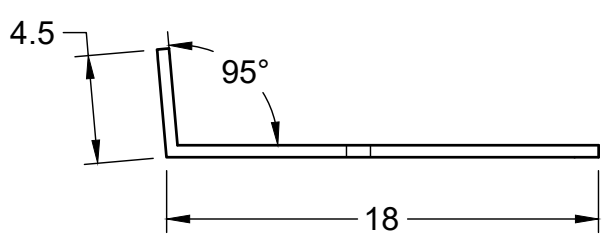
FRONT VIEW
 ARR 45X DINING SEAT BACK BOARD ASSEMBLY
 PN: ARR-45X-0004
 MATERIAL: 1/2" APA B-B, GROUP 1, EXPOSURE 1
 PLYWOOD OR BETTER



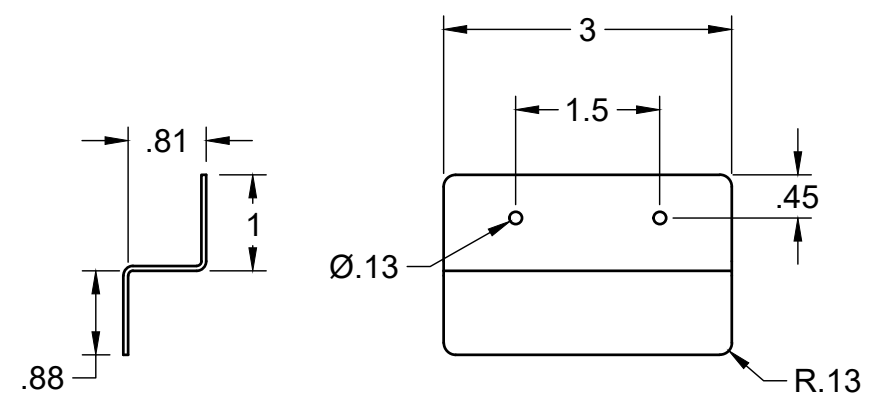
SIDE VIEW




TOP VIEW
 ARR 45X DINING SEAT BOTTOM BOARD ASSEMBLY
 PN: ARR-45X-0005
 MATERIAL: 1/2" APA B-B, GROUP 1, EXPOSURE 1
 PLYWOOD OR BETTER



SIDE VIEW



ARRC DINING SEAT BRACKET 'C'
 PN: ARR-45X-0007
 MATERIAL: 18GA GALVANNEALED STEEL

 ALASKA RAILROAD CORPORATION ENGINEERING SERVICES	PROJECT MOTIVE POWER AND EQUIPMENT PASSENGER COACHES		
	TITLE ARR 451/2 DINING SEAT BOARDS		
	APPROVED ARRC	SCALE 1:8	SHEET 1/1
	CHECKED ARRC	DATE 10/6/2022	
DRAWN CDL			