



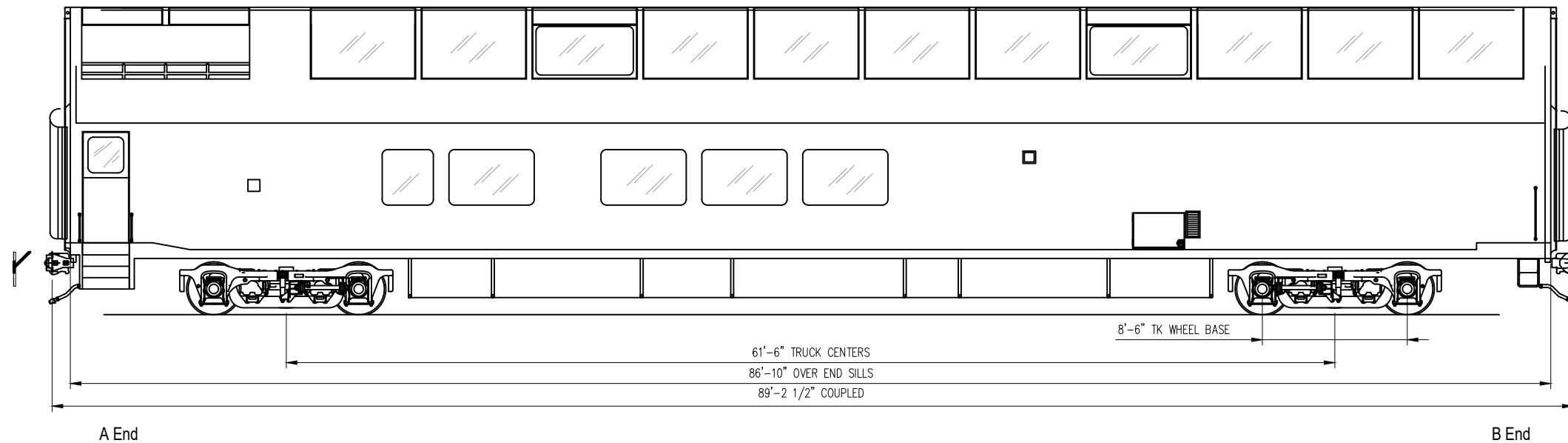
ALASKA RAILROAD CORPORATION
ENGINEERING SERVICES

P.O. BOX 107500, ANCHORAGE, ALASKA 99510-7500

MOTIVE POWER AND EQUIPMENT

ARR 650 SERIES BILEVEL DOMES

SEPTEMBER 2020



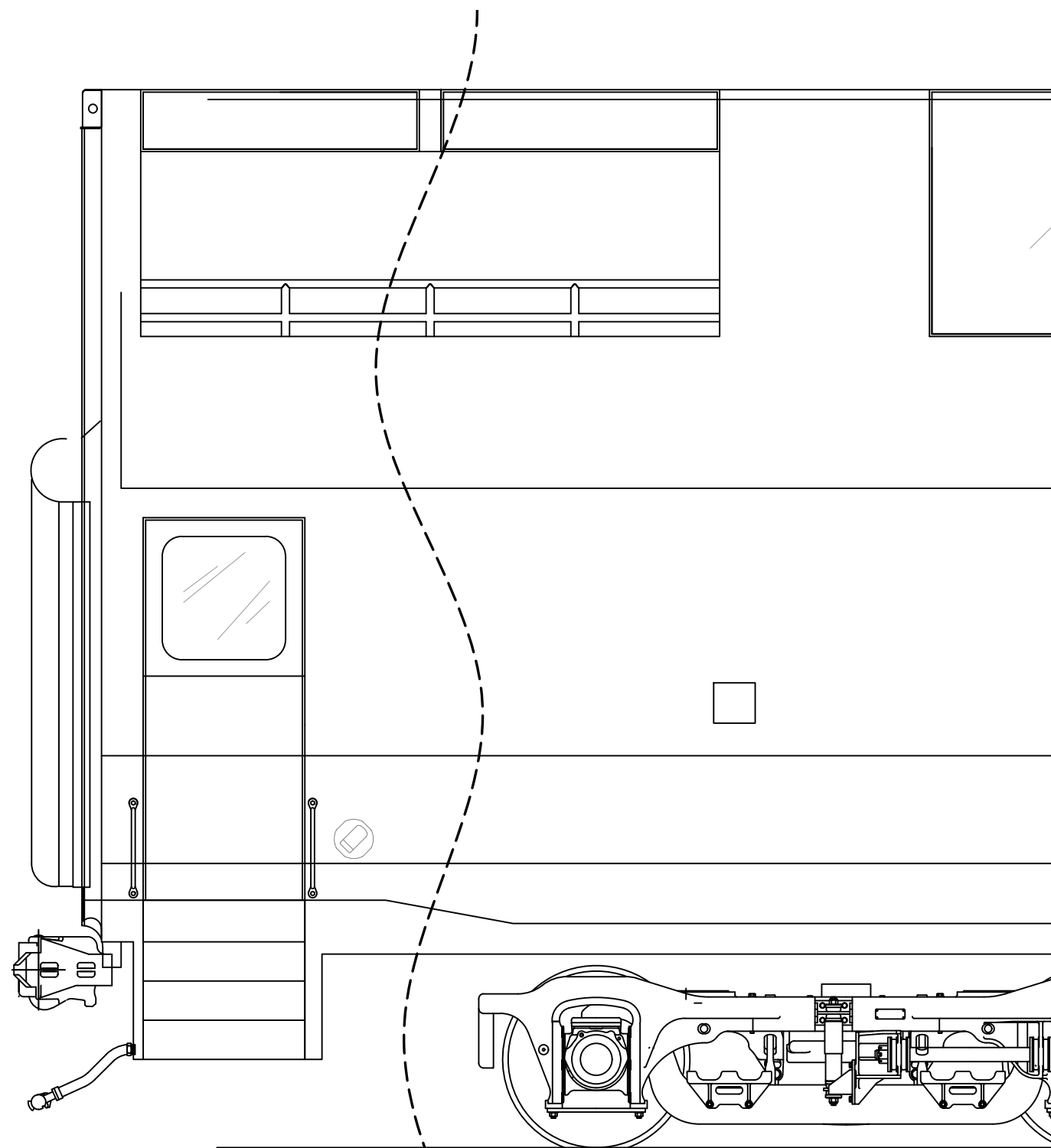
1
A 650 SERIES SIDE VIEW
SCALE: NTS

REV.	DATE	BY	REVISION

ALASKA RAILROAD CORPORATION ENGINEERING SERVICES P.O. BOX 107500, ANCHORAGE, ALASKA 99510-7500		
PROJECT : MOTIVE POWER AND EQUIPMENT PASSENGER EQUIPMENT		
TITLE: ARR 650 SERIES BILEVEL DOMES GENERAL ARRANGEMENT		
DESIGNED BY: ARRC	SCALE : NO SCALE	AFE NO.:
DRAWN BY: ARRC	DATE : SEPTEMBER 2020	ACAD FILE:
CHECKED BY: ARRC		DWG NO. 1 OF 4
APPROVED BY: ARRC		

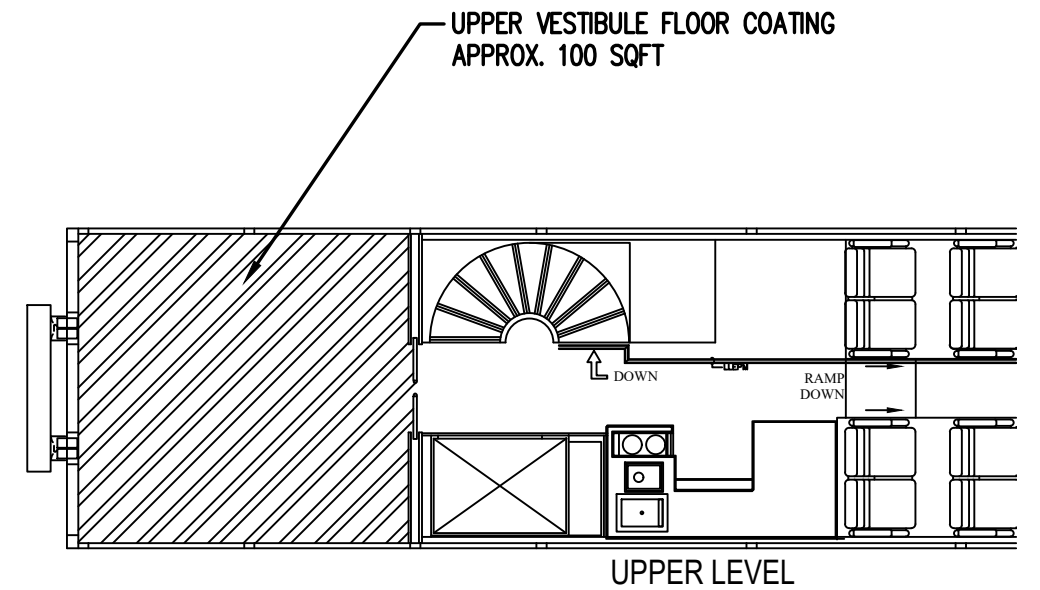
750C-Half.ctb C:\Users\kernj\Desktop\2020 ARR 651-656 Vestibule Upgrades and Paint Touch-up\Drawings\ARR 650 General Arrangement.dwg

C:\Users\kernj\Desktop\2020 ARR 651-656 Vestibule Upgrades and Paint Touch-up\Drawings\ARR 650 General Arrangement.dwg



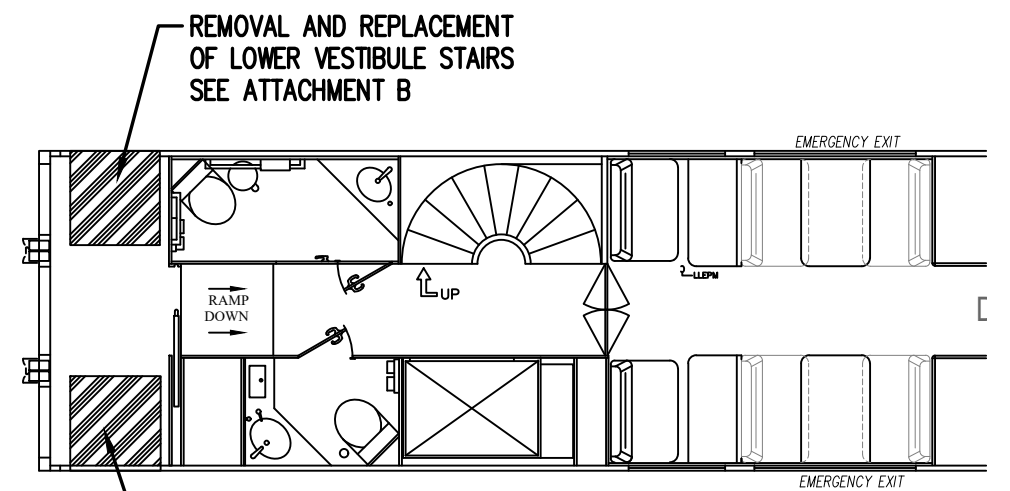
FEATHER PAINT INTO EXISTING APPROXIMATELY 5 FT FROM NEAREST VESTIBULE OPENING

2
A VESTIBULE SIDE VIEW
SCALE: NO SCALE



UPPER VESTIBULE FLOOR COATING
APPROX. 100 SQFT

UPPER LEVEL




REMOVAL AND REPLACEMENT
OF LOWER VESTIBULE STAIRS
SEE ATTACHMENT B

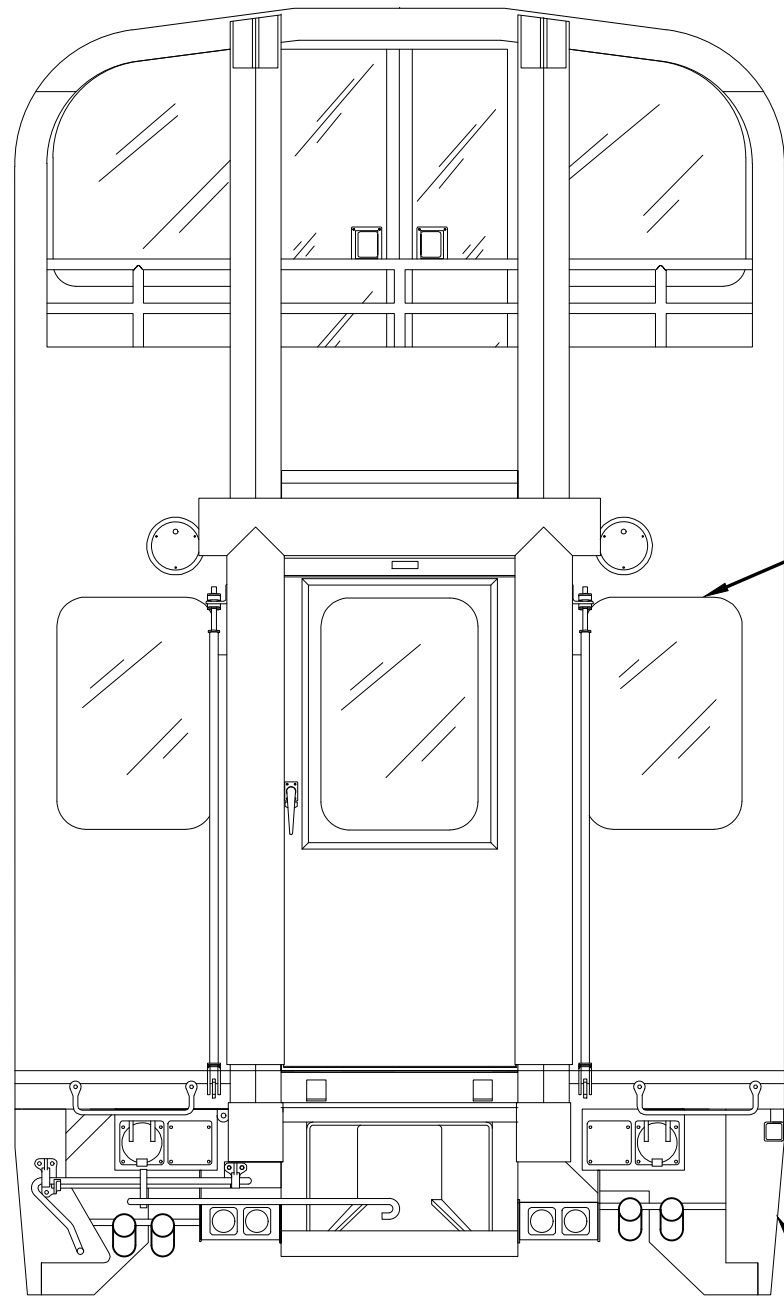
REMOVAL AND REPLACEMENT
OF LOWER VESTIBULE STAIRS
SEE ATTACHMENT B

LOWER LEVEL

2
B TOP VIEW
SCALE: NO SCALE

 ALASKA RAILROAD CORPORATION ENGINEERING SERVICES P.O. BOX 107500, ANCHORAGE, ALASKA 99510-7500		
PROJECT : MOTIVE POWER AND EQUIPMENT PASSENGER EQUIPMENT		
TITLE: ARR 650 SERIES BILEVEL DOMES GENERAL ARRANGEMENT		
DESIGNED BY: ARRC	SCALE : NO SCALE	AFE NO.:
DRAWN BY: ARRC	DATE : SEPTEMBER 2020	ACAD FILE:
CHECKED BY: ARRC		DWG NO. 2 OF 4
APPROVED BY: ARRC		

750C-Half.ctb
C:\Users\kernj\Desktop\2020 ARR 651-656 Vestibule Upgrades and Paint Touch-up\Drawings\ARR 650 General Arrangement.dwg

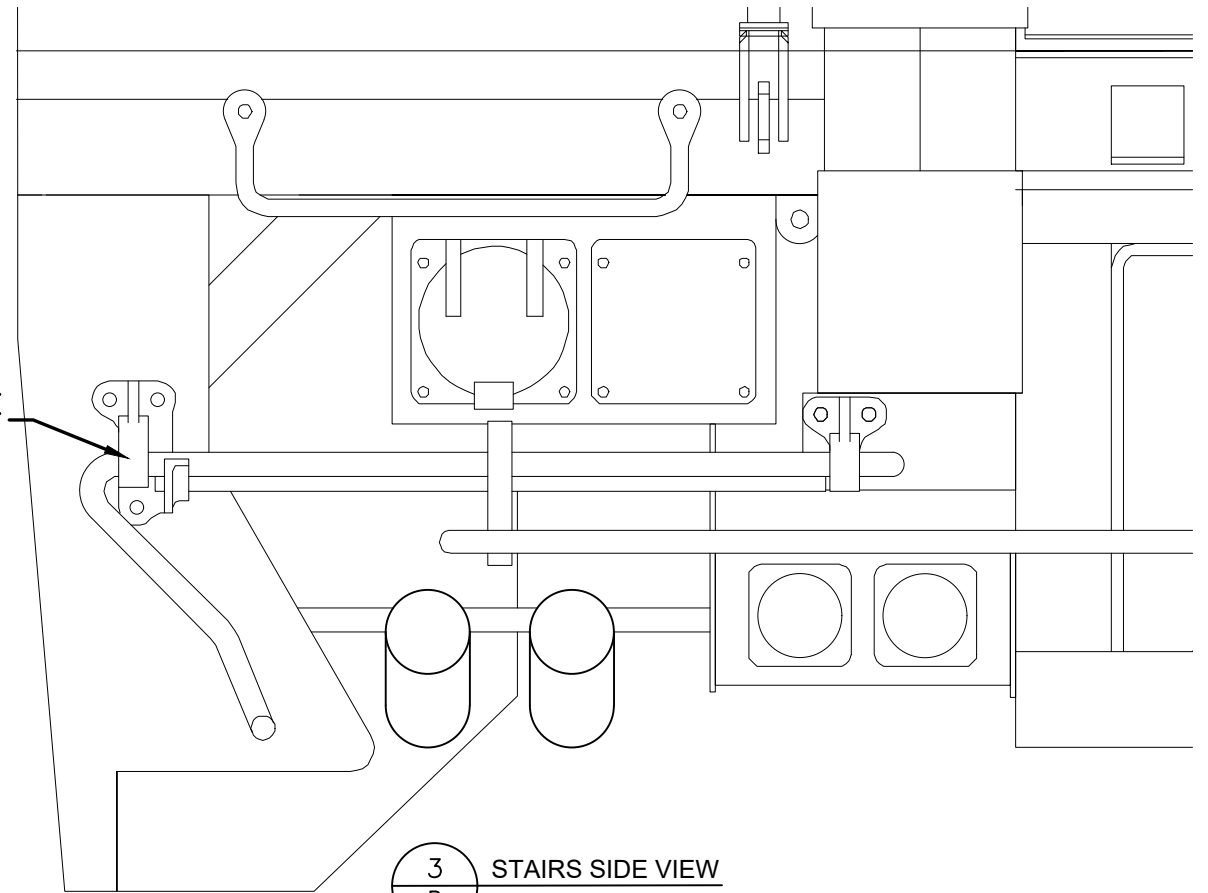


3 B-END FRONT VIEW
A SCALE: NO SCALE

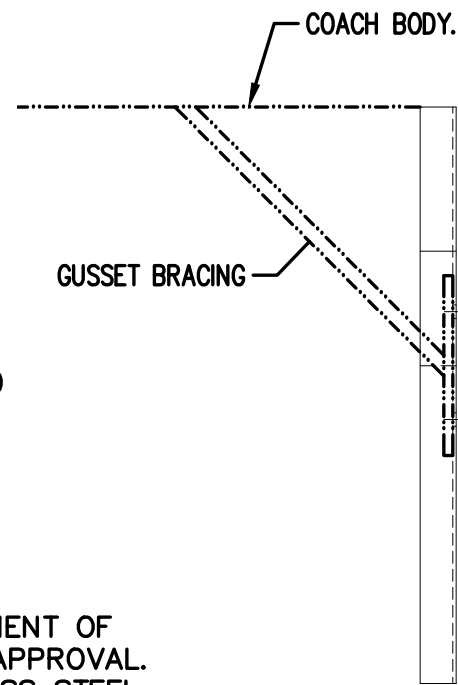
TYP. EXTERIOR WINDOW FRAMES
SHOWING CORROSION AND DECAY.

CUT AWAY SHEETING UPTO
SIDE SILL AND STAIRS

REMOUNT OF CUT LEVER TO
EXISTING B-END STRUCTURE
IN ACCORDANCE WITH
PAGE 3 DETAIL C




3 STAIRS SIDE VIEW
B SCALE: NO SCALE



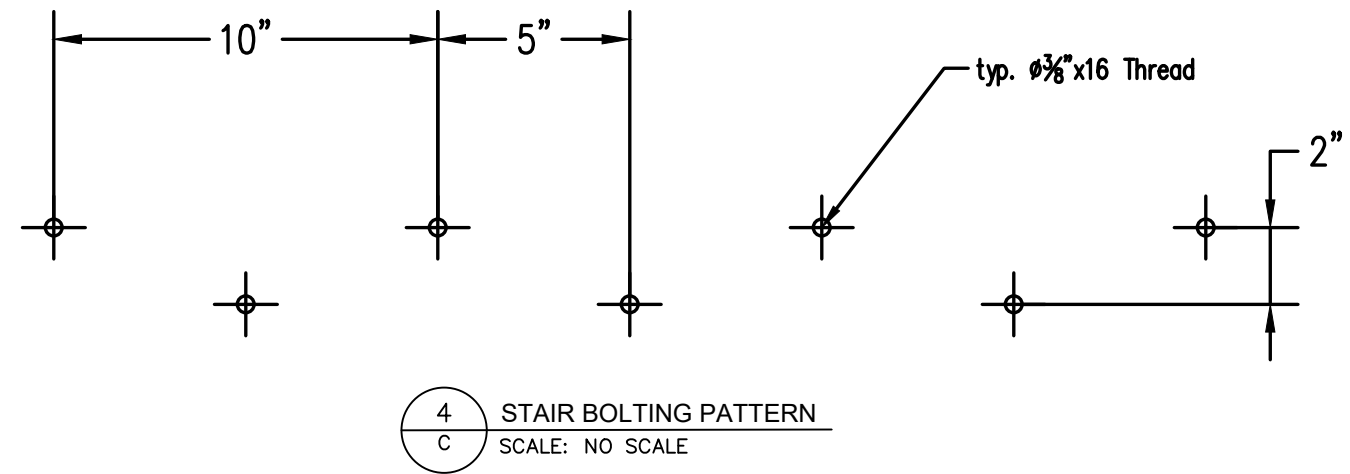
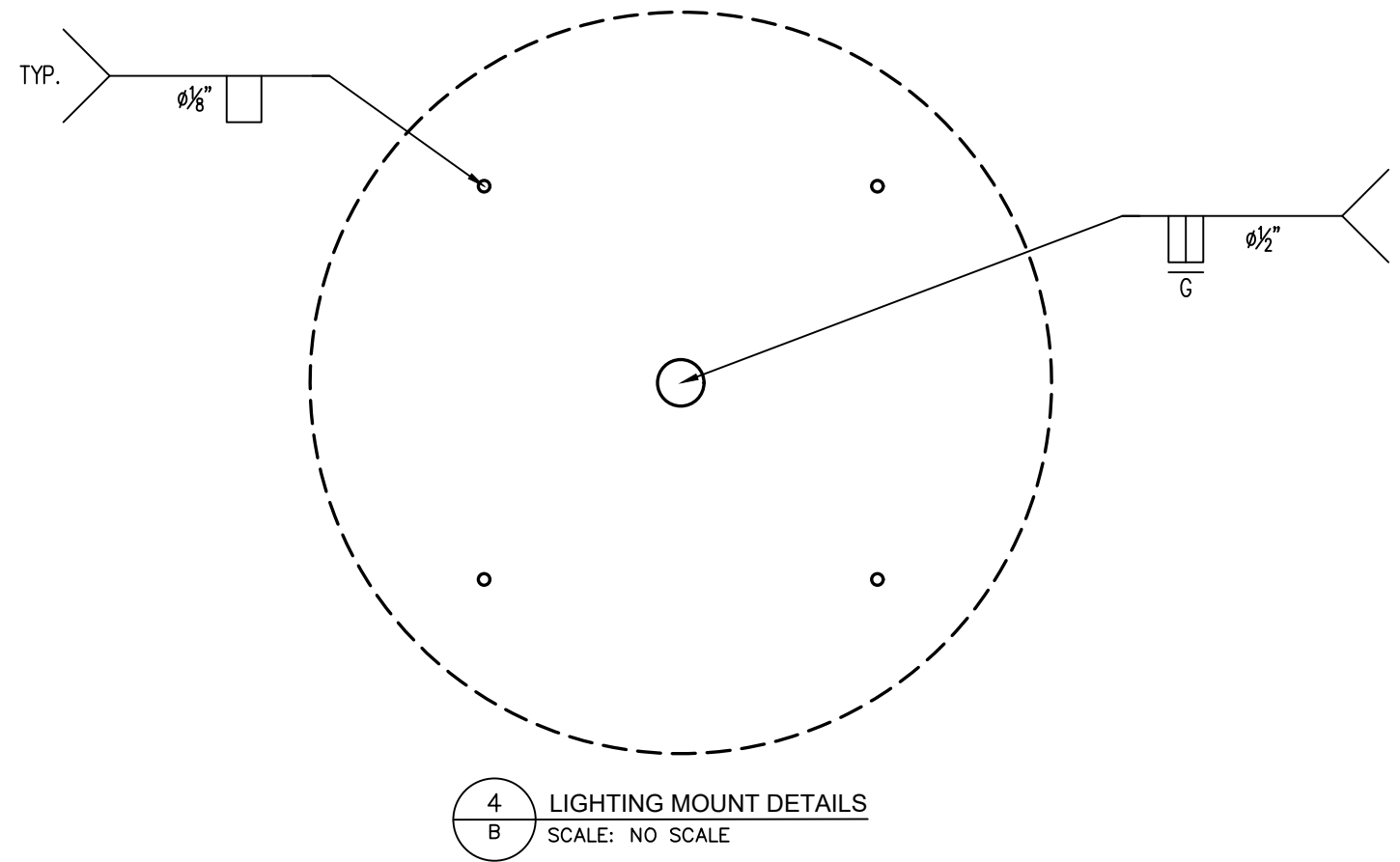
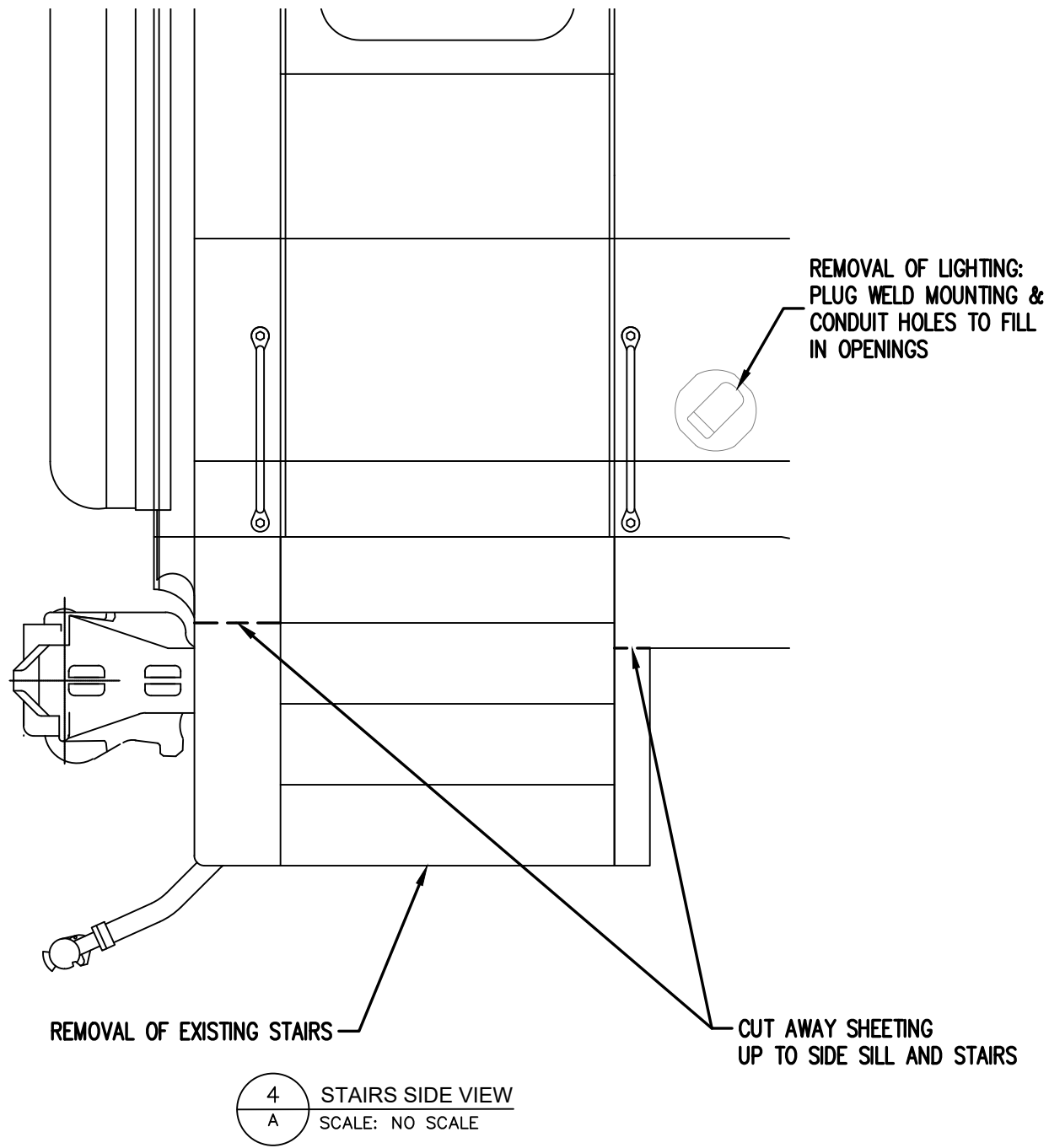
3 CUT LEVER - CONCEPT
C SCALE: NO SCALE

NOTES:

1. CUT LEVER CONCEPT IS DRAWN TO SHOW A POTENTIAL OPTION FOR REPLACEMENT OF SHEETING REMOVED. CONTRACTOR SHALL SUBMIT SHOP DRAWINGS FOR ARRC APPROVAL.
2. CUT LEVER - CONCEPT IS TO BE FABRICATED OUT OF 10 GAUGE 316 STAINLESS STEEL. SECUREMENT TO THE COACH BODY SHALL BE MOUNTED IN TWO POINTS, WITH WELDING, BOLTING OR COMBINATION.

 ALASKA RAILROAD CORPORATION ENGINEERING SERVICES P.O. BOX 107500, ANCHORAGE, ALASKA 99510-7500		
PROJECT : MOTIVE POWER AND EQUIPMENT PASSENGER EQUIPMENT		
TITLE: ARR 650 SERIES BILEVEL DOMES GENERAL ARRANGEMENT		
DESIGNED BY: ARRC	SCALE : NO SCALE	AFE NO.:
DRAWN BY: ARRC	DATE : SEPTEMBER 2020	ACAD FILE:
CHECKED BY: ARRC		DWG NO. 3 OF 4
APPROVED BY: ARRC		

750C-Half.ctb
 C:\Users\kernj\Desktop\2020 ARR 651-656 Vestibule Upgrades and Paint Touch-up\Drawings\ARR 650 General Arrangement.dwg



NOTES:

1. LIGHTING WILL BE REMOVED BY ARRC, AND HOLES WILL BE COVERED OVER. CONTRACTOR SHALL CLEAN AND PLUG WELD HOLES IN ACCORDANCE WITH PG 3 DETAIL C: LIGHTING MOUNT DETAILS.
2. MOUNTING BOLTS SHALL BE AT MINIMUM: GRADE 5 STAINLESS STEEL $\frac{3}{8}''$ X16 THREAD-LOCKING BUTTON HEAD HEX DRIVE BOLTS.

ALASKA RAILROAD CORPORATION ENGINEERING SERVICES P.O. BOX 107500, ANCHORAGE, ALASKA 99510-7500		
PROJECT : MOTIVE POWER AND EQUIPMENT PASSENGER EQUIPMENT		
TITLE: ARR 650 SERIES BILEVEL DOMES GENERAL ARRANGEMENT		
DESIGNED BY: ARRC	SCALE : NO SCALE	AFE NO.:
DRAWN BY: ARRC	DATE : SEPTEMBER 2020	ACAD FILE:
CHECKED BY: ARRC		DWG NO. 4 OF 4
APPROVED BY: ARRC		