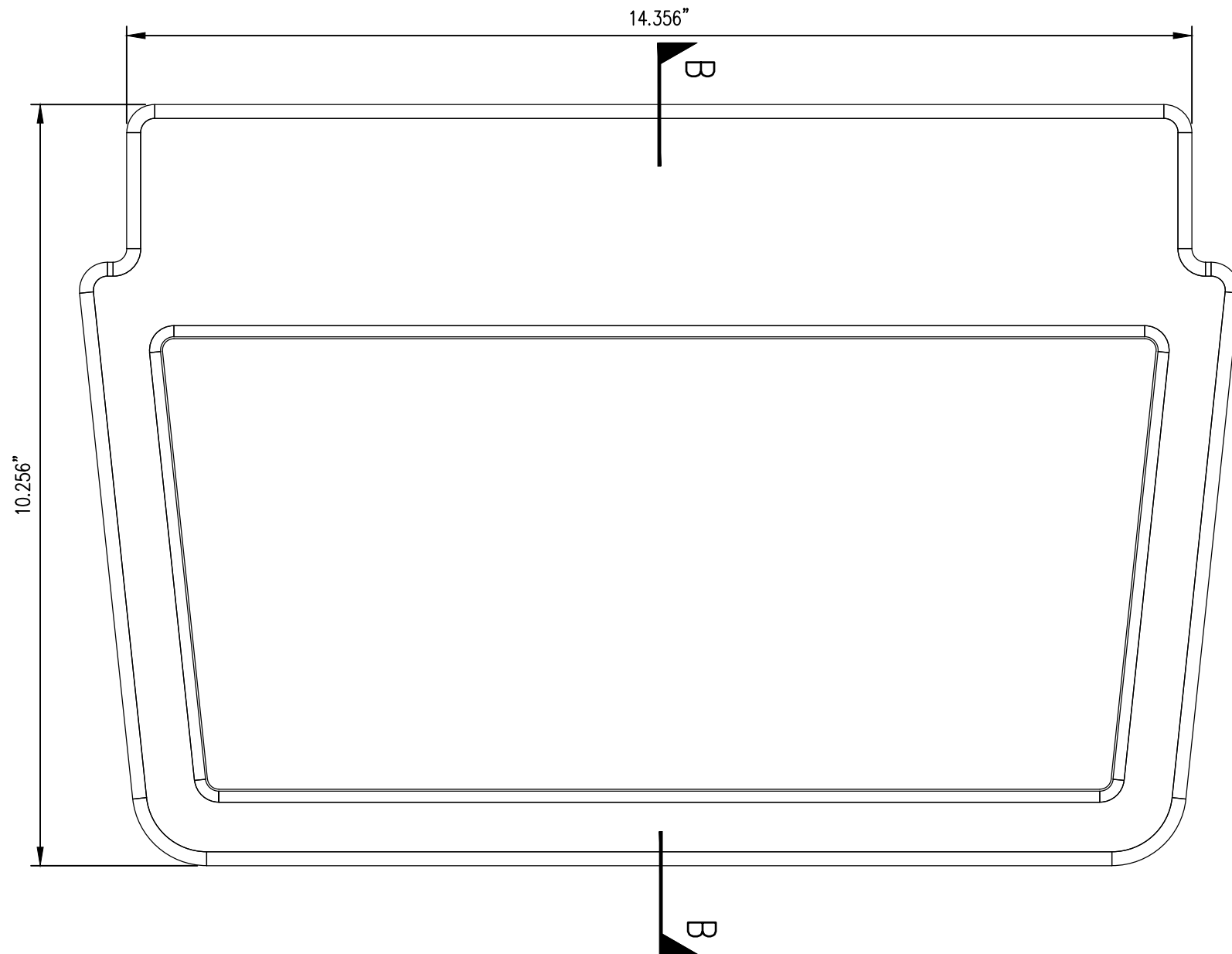
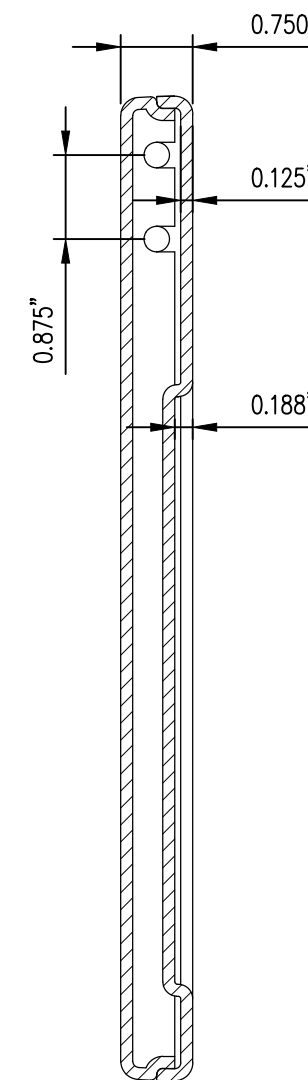


P:\Engineering\Motive Power and Equipment\2. Passenger\Passenger Equipment Rehab\2022 ARR 651-656 Tray Tables\redesign\Tray table design.dwg VPort: Thermoformed Shell Plot Style: 750C-Half.ctb



A  
1  
TOP VIEW  
SCALE: 1:2




B  
1  
SECTION VIEW  
SCALE: 1:2

NOTES:

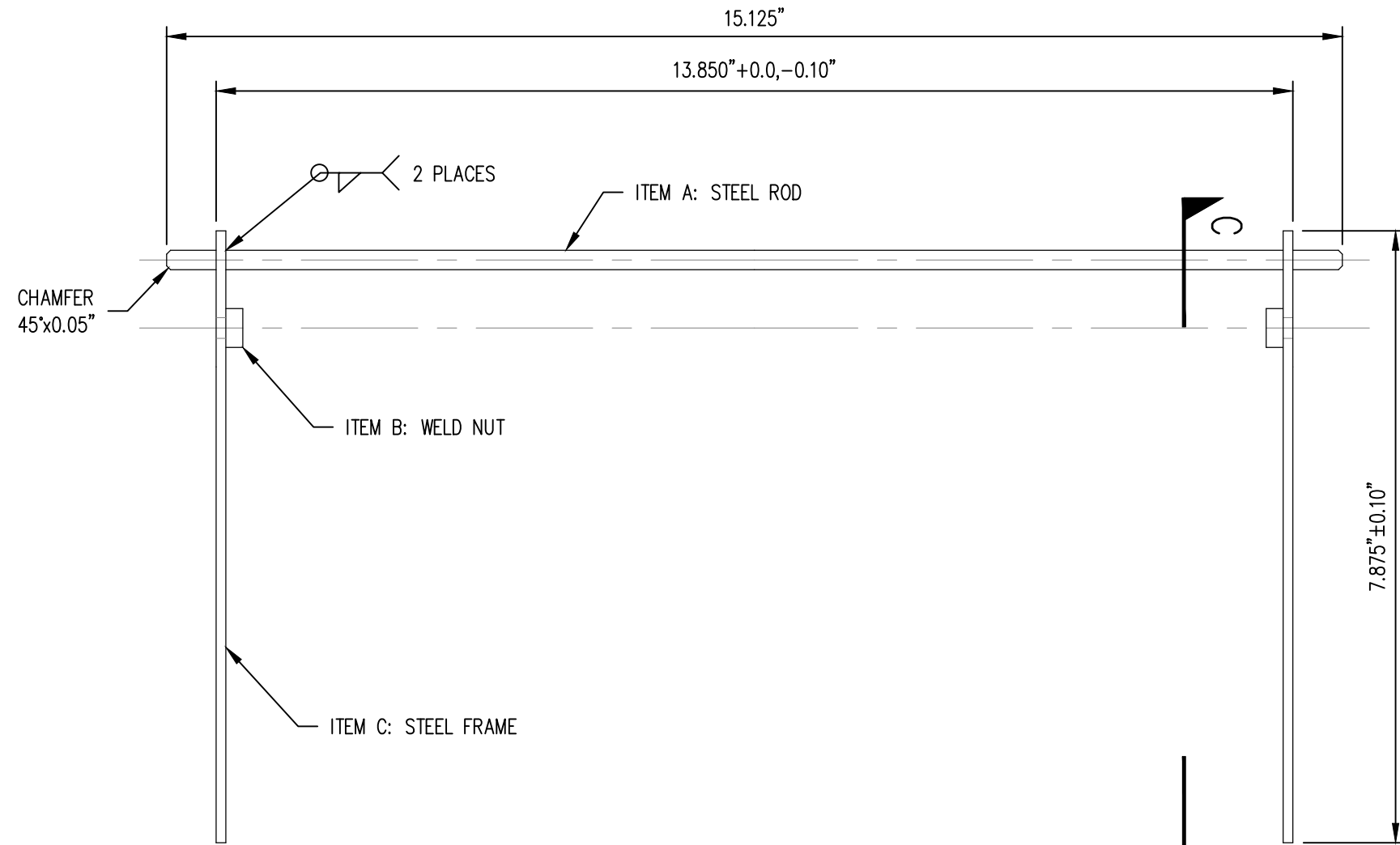
1. MATERIAL: THERMOFORMED 0.125" KYDEX 6200 OR APPROVED EQUAL.
2. COLOR: TO BE SELECTED FROM MATERIAL SUPPLIERS OPTIONS OF STANDARD COLORS, WITH PREFERENCE OF LIGHT TAN (KYDEX MONTEREY #62033 OR SIMILAR).
3. ADD.ALT ITEM 1: PROVIDE LOW DENSITY FOAM CORE IN ASSEMBLY.
4. BOND TRAY HALVES TOGETHER ALONG ENTIRE PERIMETER AND AROUND INTERNAL FRAME USING MASTER BOND EP21TP-2NV TWO COMPONENT EPOXY OR APPROVED EQUAL.
5. FINISHED TRAY SHAPE AS DEFINED IN ATTACHED FILE "ARR-65X-0002.STEP"
6. ALL MATERIALS MUST MEET THE REQUIREMENTS SET FORTH IN 49 CFR APPENDIX B TO PART 238.

REV.	DATE	BY	REVISION

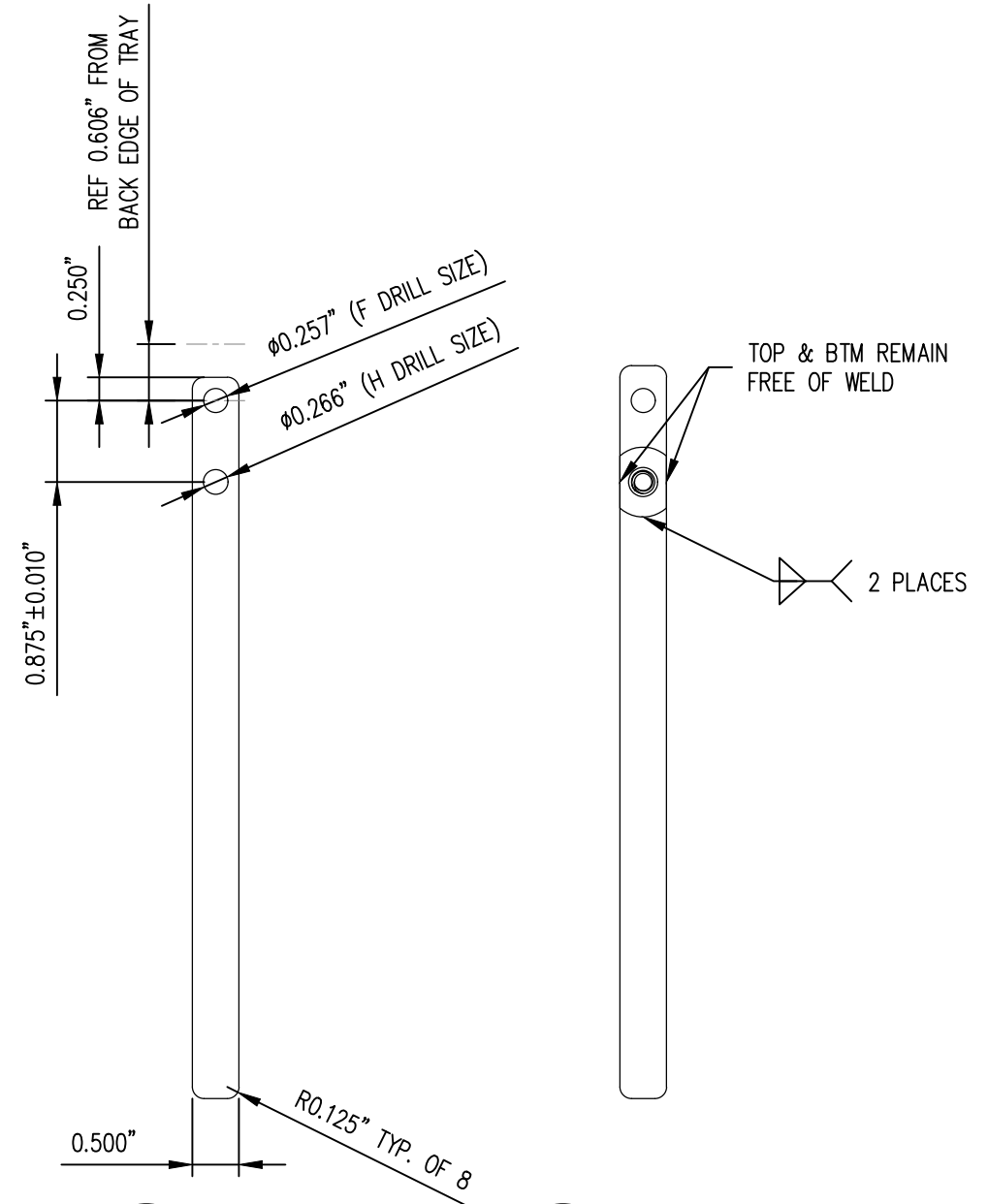
 <b>ALASKA RAILROAD CORPORATION</b> ENGINEERING SERVICES P.O. BOX 107500, ANCHORAGE, ALASKA 99510-7500			
PROJECT :		<b>MOTIVE POWER &amp; EQUIPMENT PASSENGER EQUIPMENT</b>	
TITLE:		<b>ARR 651-656 DOME TRAY TABLE THERMOFORMED SHELL</b>	
DESIGNED BY: ARRC	SCALE : AS NOTED	PART #: ARR-65X-0002	
DRAWN BY: CDL	DATE : SEPTEMBER 2021	ACAD FILE:	
CHECKED BY: ARRC		DWG NO. <b>1</b> OF <b>2</b>	
APPROVED BY: ARRC			

P:\Engineering\Motive Power and Equipment\2. Passenger\Passenger Equipment Rehab\2022 ARR 651-656 Tray Tables\redesign\Tray Tables\redesign\Tray table design.dwg VPort: Internal Frame (V2) Plot Style: 750C-Half.ctb

BOM		
ITEM	QTY	MATERIAL
A: STEEL ROD	1	0.25"Ø 1018 STEEL ROD
B: WELD NUT	2	¼"-20 STEEL NARROW-BASE WELD NUT
C: STEEL FRAME	2	0.125"x0.5" A36 CARBON STEEL BAR




**A**  
1 TOP VIEW  
SCALE: 1:2



**B**  
1 SIDE VIEW  
SCALE: 1:2

**C**  
1 SECTION VIEW  
SCALE: 1:2

REV.	DATE	BY	REVISION

 <b>ALASKA RAILROAD CORPORATION</b> ENGINEERING SERVICES P.O. BOX 107500, ANCHORAGE, ALASKA 99510-7500		
PROJECT : <b>MOTIVE POWER &amp; EQUIPMENT PASSENGER EQUIPMENT</b>		
TITLE: <b>ARR 651-656 DOME TRAY TABLE INTERNAL FRAME</b>		
DESIGNED BY: ARRC	SCALE : AS NOTED	PART #: ARR-65X-0001
DRAWN BY: CDL	DATE : JUNE 2022	ACAD FILE:
CHECKED BY: ARRC		DWG NO. <b>2</b> OF <b>2</b>
APPROVED BY: ARRC		