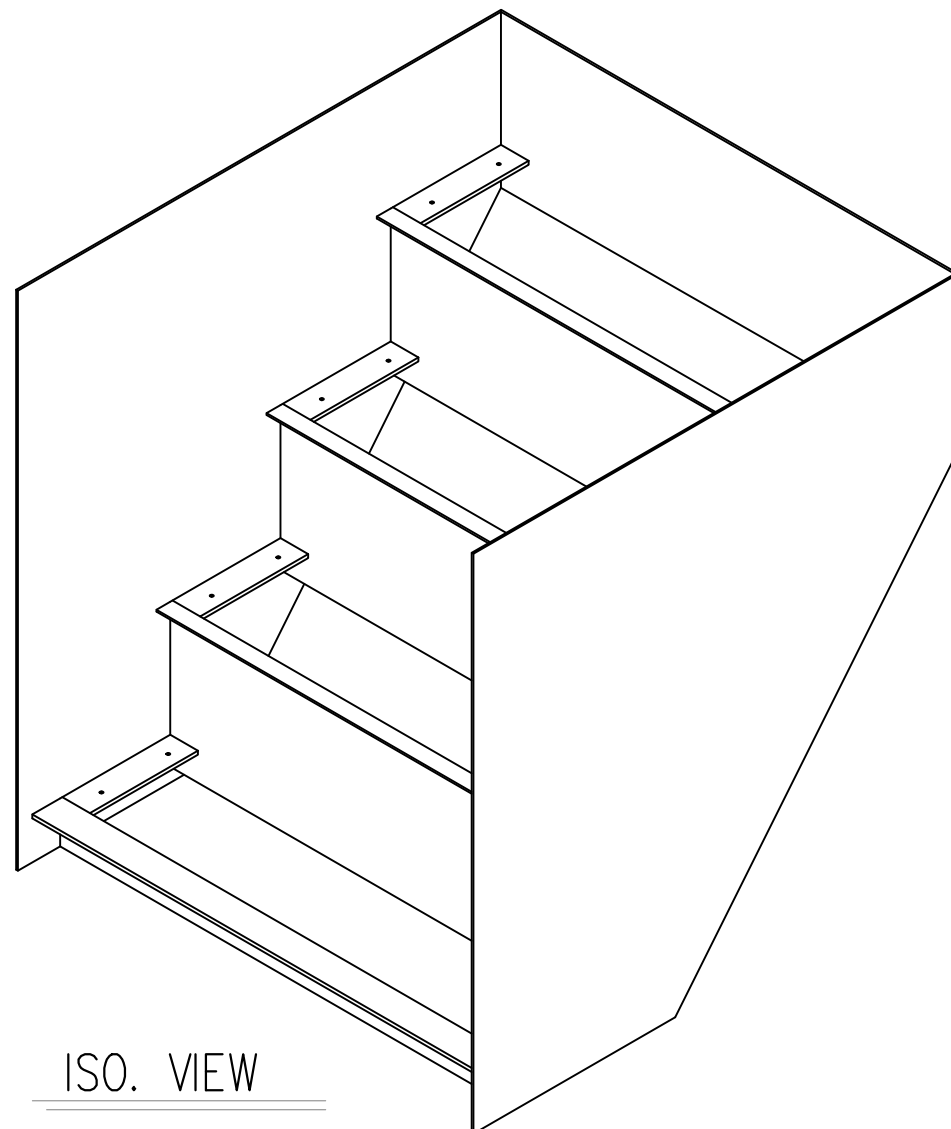




ALASKA RAILROAD CORPORATION
ENGINEERING SERVICES
 P.O. BOX 107500, ANCHORAGE, ALASKA 99510-7500

MOTIVE POWER AND EQUIPMENT PASSENGER COACH VESTIBULE STAIRS

SEPTEMBER 2020




ISO. VIEW

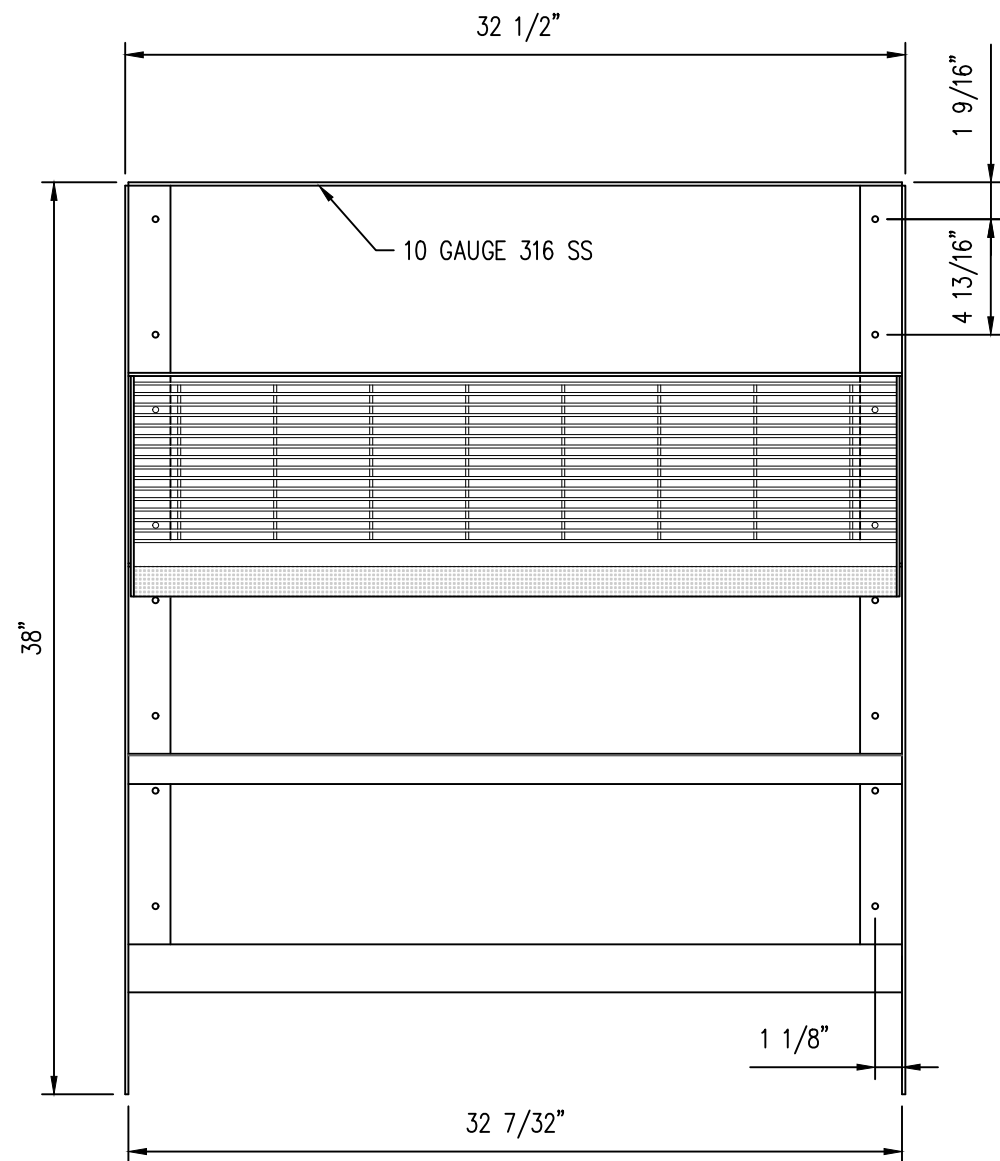
NOTE: SOME ELEMENTS REMOVED FOR CLARITY.

NOTES:

1. PROVIDE SHOP DRAWINGS FOR ALASKA RAILROAD REVIEW.
2. ALL MATERIALS ARE 316 STAINLESS STEEL UNLESS OTHERWISE NOTED.
3. PROVIDE ALL FASTENERS WITH STAINLESS WASHERS UNDER TURNED ELEMENT AND NYLOC NUTS. A MINIMUM OF 3 THREADS MUST EXTEND BEYOND NUTS.
4. FABRICATE ZEE FROM 10 GA 316 STAINLESS STEEL.
5. FINISH: COMMERCIAL CLEAN STAINLESS UNLESS OTHERWISE NOTED.

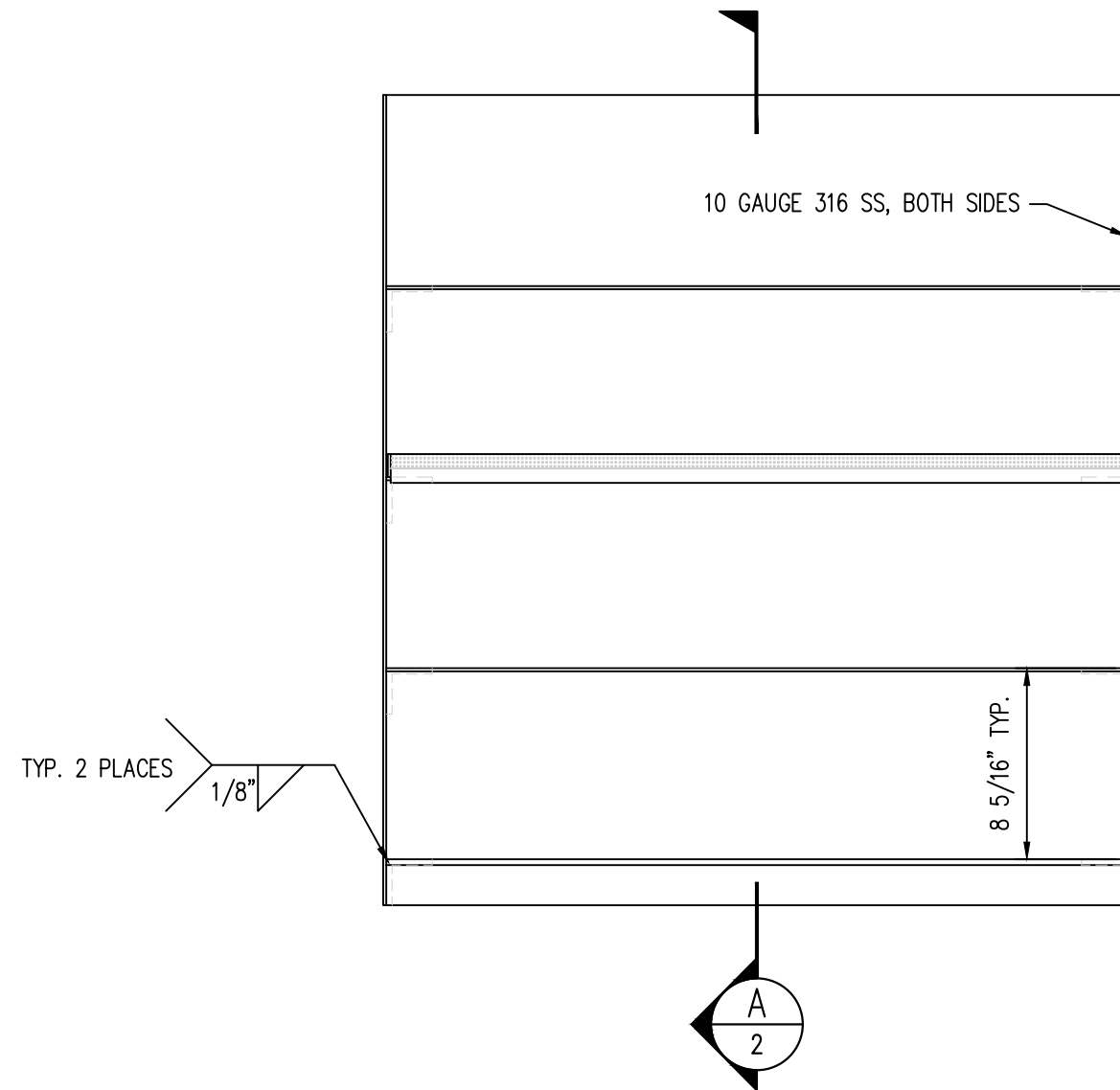
REV.	DATE	BY	REVISION

 ALASKA RAILROAD CORPORATION ENGINEERING SERVICES P.O. BOX 107500, ANCHORAGE, ALASKA 99510-7500		
PROJECT : MOTIVE POWER & EQUIPMENT PASSENGER COACH VESTIBULE STAIRS		
TITLE: TITLE SHEET & OVERVIEW		
DESIGNED BY: <u>ARRC</u>	SCALE : N.T.S.	AFE NO.:
DRAWN BY: <u>CDL</u>	DATE : SEPTEMBER 2020	ACAD FILE:
CHECKED BY: <u>JAK</u>		DWG NO. 1 OF 4
APPROVED BY: <u>JAK</u>		



NOTE: SOME ELEMENTS REMOVED FOR CLARITY.


TOP VIEW

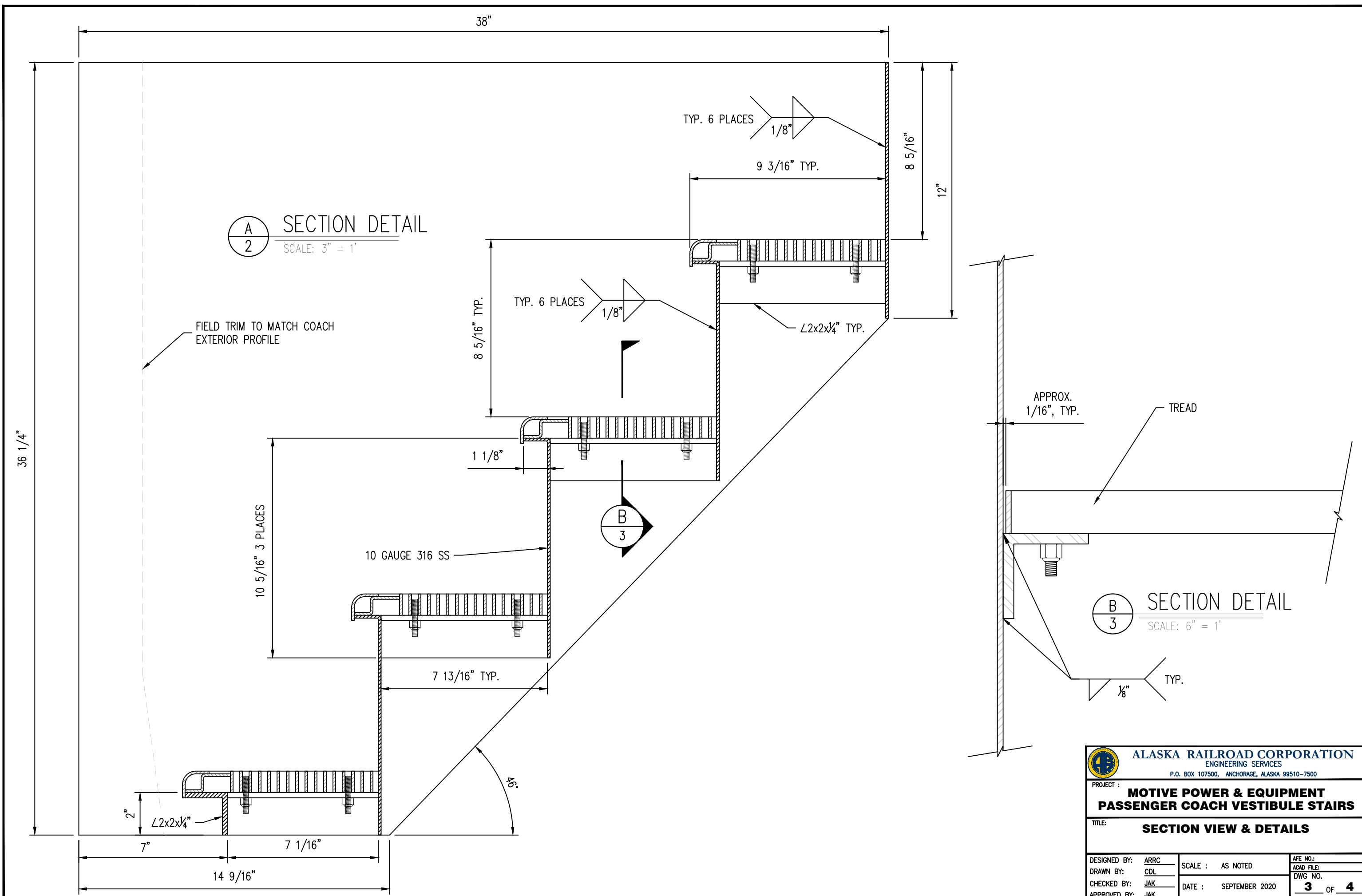


FRONT VIEW

NOTES:

1. PROVIDE SHOP DRAWINGS FOR ALASKA RAILROAD REVIEW.

 ALASKA RAILROAD CORPORATION ENGINEERING SERVICES P.O. BOX 107500, ANCHORAGE, ALASKA 99510-7500		AFE NO.:
		ACAD FILE:
PROJECT : MOTIVE POWER & EQUIPMENT PASSENGER COACH VESTIBULE STAIRS		
TITLE: TOP & FRONT VIEW		
DESIGNED BY: ARRC	SCALE : 1-1/2" = 1'	AFE NO.:
DRAWN BY: CDL	DATE : SEPTEMBER 2020	ACAD FILE:
CHECKED BY: JAK		DWG NO. 2 OF 4
APPROVED BY: JAK		




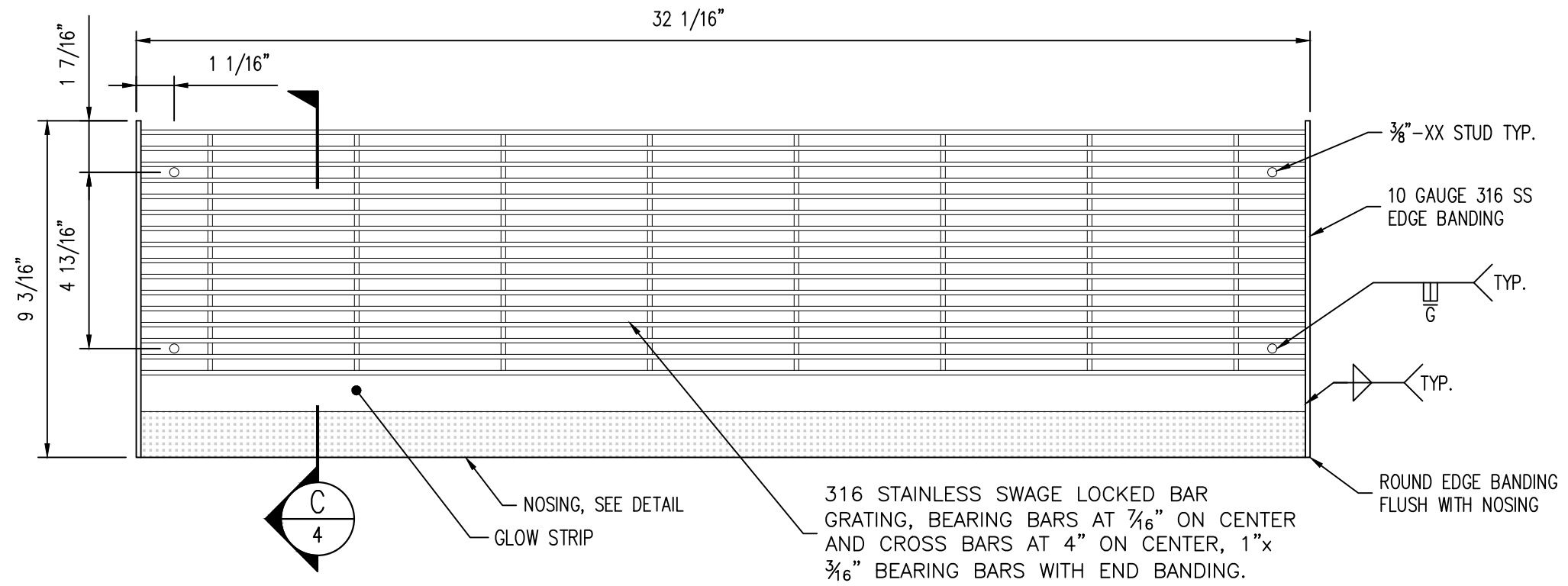
A
2 SECTION DETAIL
SCALE: 3" = 1'

FIELD TRIM TO MATCH COACH EXTERIOR PROFILE

B
3 SECTION DETAIL
SCALE: 6" = 1'

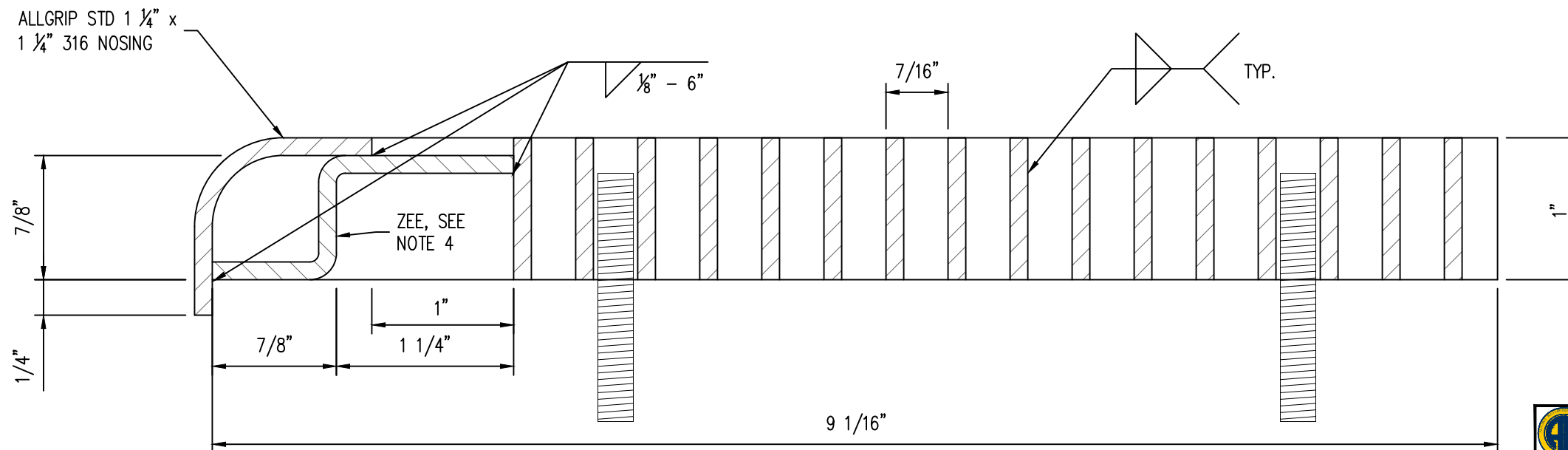
B
3 SECTION DETAIL
SCALE: 6" = 1'

 ALASKA RAILROAD CORPORATION ENGINEERING SERVICES P.O. BOX 107500, ANCHORAGE, ALASKA 99510-7500		
PROJECT : MOTIVE POWER & EQUIPMENT PASSENGER COACH VESTIBULE STAIRS		
TITLE : SECTION VIEW & DETAILS		
DESIGNED BY: ARRC	SCALE : AS NOTED	AFE NO.:
DRAWN BY: CDL	DATE : SEPTEMBER 2020	ACAD FILE:
CHECKED BY: JAK		DWG NO. 3 OF 4
APPROVED BY: JAK		




TREAD TOP VIEW

SCALE: 3" = 1'



SECTION DETAIL

SCALE: 1" = 1"

 ALASKA RAILROAD CORPORATION ENGINEERING SERVICES P.O. BOX 107500, ANCHORAGE, ALASKA 99510-7500		
PROJECT : MOTIVE POWER & EQUIPMENT PASSENGER COACH VESTIBULE STAIRS		
TITLE: TREAD DETAILS & SECTIONS		
DESIGNED BY: <u>ARRC</u>	SCALE : AS NOTED	AFE NO.:
DRAWN BY: <u>CDL</u>	DATE : SEPTEMBER 2020	ACAD FILE:
CHECKED BY: <u>JAK</u>		DWG NO. 4 OF 4
APPROVED BY: <u>JAK</u>		