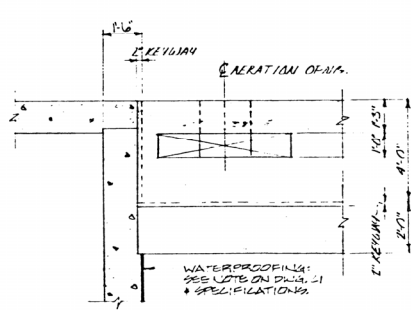
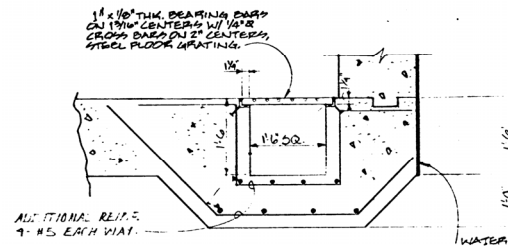


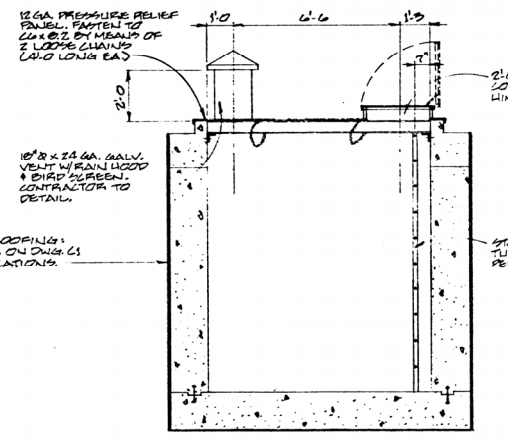
SUMP PLAN  
SCALE: 3/4" = 1'-0"



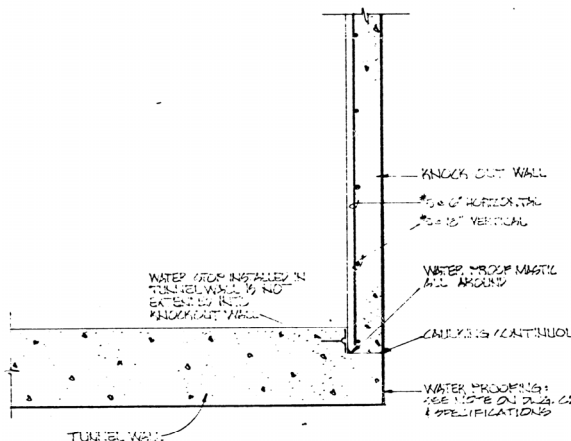
SECTION 9  
SCALE: 3/4" = 1'-0"



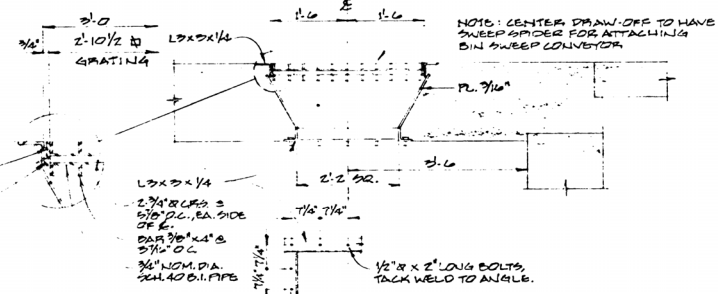
DETAIL  
SCALE: 3/4" = 1'-0"



SECTION 10  
SCALE: 3/4" = 1'-0"



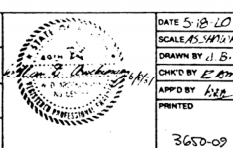
TUNNEL WALL KNOCK OUT  
SCALE: 3/4" = 1'-0"



SECTION 12  
SCALE: 3/4" = 1'-0"

NOTE:  
1. REFER TO DWG. 01 FOR GENERAL COLLECTOR

DATE	DATE
	GENERAL REVISIONS
	ORIGINAL ISSUE



DATE: 5/18/10  
SCALE: AS SHOWN  
DRAWN BY: J.B.  
CHECKED BY: E.B.M.  
APPROVED BY: K.E.R.  
PRINTED: 3650-09

DETAILS - LARGE GROUP # 1 -  
FOUNDATION FRAMING & KEN FORCING

EST. TERMINAL  
STATE OF ALASKA  
KIBCOR ENGINEERING COMPANY  
Minneapolis, Minnesota

PLAN SHEET  
SHEET