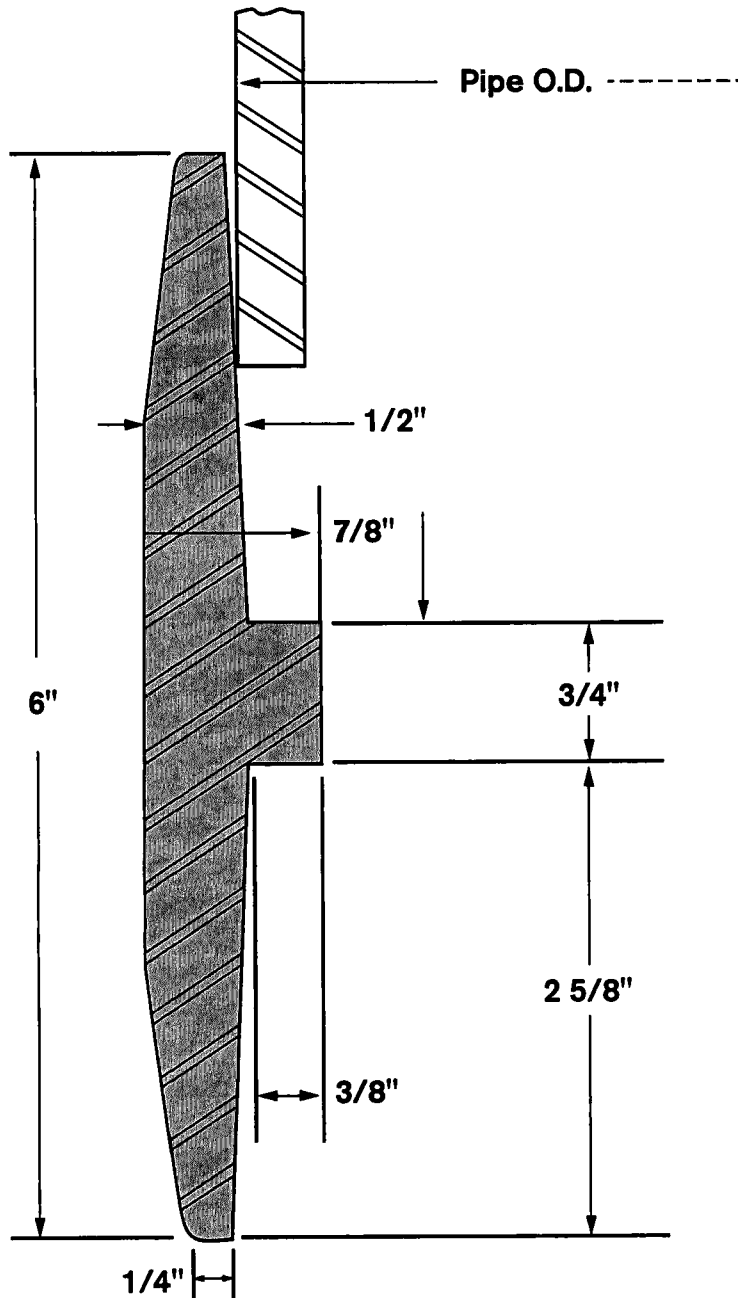


DRIVE FIT SPLICER SLEEVE

S - 20000



MATERIAL: CAST STEEL

ASTM A148 90/60

PIPE O.D.	WEIGHT
7 5/8"	23#
8 5/8"	19#
9 5/8"	31#
10 3/4"	28#
12"	31#
12 3/4"	31#

SECTION THROUGH PIPE AND SPLICER.
NORMAL FOUNDRY TOLERANCES APPLY.

Installation Instructions

1. Set the splicer on the driven length of pipe. Tap the splicer onto the pipe with a sledge hammer to secure in place.
2. Set the second length of pipe into the splicer.
3. Seating the two lengths of pipe onto the centering ledge of the splicer will require one or two blows of the hammer. The piles must be seated on the centering ledge prior to driving.
4. Once the pipe piles are seated, continue to drive the pile.



**ASSOCIATED PILE
& FITTING**

PO Box 5933 Parsippany, NJ 07054-5933

Tel: 973-773-8400

Fax: 973-428-5146

email: apf@associatedpile.com

www.associatedpile.com

Call Toll Free: 800-526-9047