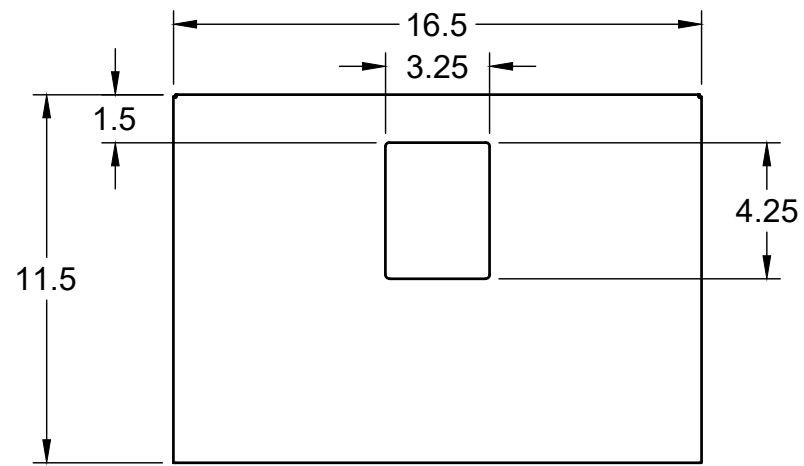
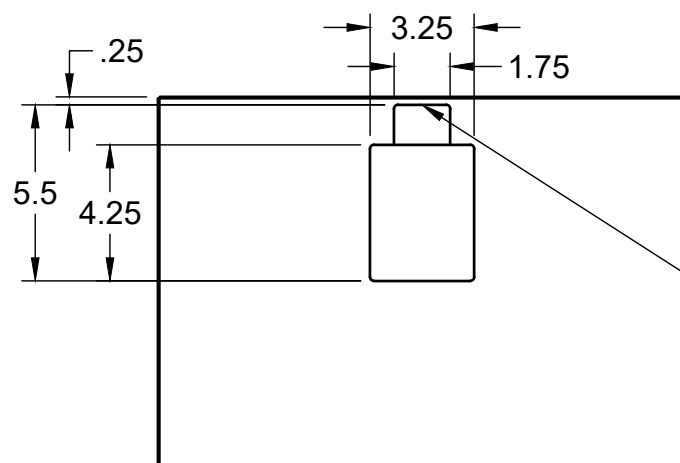


ARR 45X DOUBLE DINING SEAT
LOWER TRIM - LEFT
PN: ARR-45X-0009

MATERIAL: 1/2" CABINET GRADE PLYWOOD,
FORMICA M2178 'BRUSHED
STAINLESS STEEL' LAMINATE OUTSIDE
SURFACE AND EDGES, WHITE LAMINATE
INSIDE



FRONT VIEW

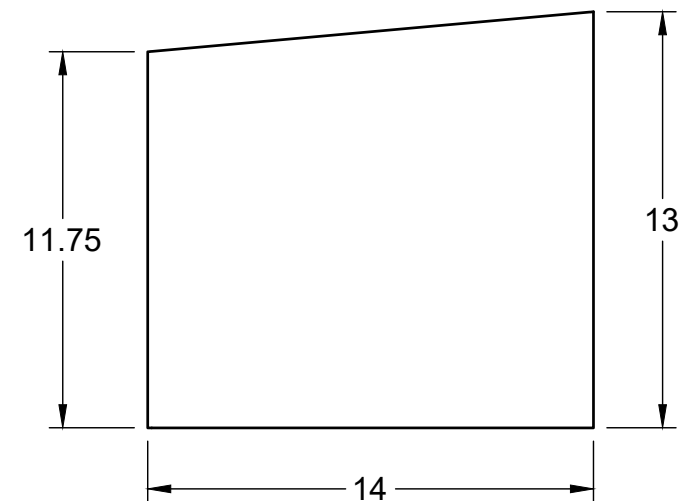


BACK VIEW

ARR 45X DOUBLE DINING SEAT
LOWER TRIM - CENTER
PN: ARR-45X-0010

MATERIAL: 1/2" CABINET GRADE PLYWOOD,
FORMICA M2178 'BRUSHED
STAINLESS STEEL' LAMINATE OUTSIDE
SURFACE AND EDGES, WHITE LAMINATE
INSIDE

0.375" DEEP
POCKET
FROM BACK



ARR 45X DOUBLE DINING SEAT
LOWER TRIM - RIGHT
PN: ARR-45X-0011

MATERIAL: 1/2" CABINET GRADE PLYWOOD,
FORMICA M2178 'BRUSHED
STAINLESS STEEL' LAMINATE OUTSIDE
SURFACE AND EDGES, WHITE LAMINATE
INSIDE



ALASKA RAILROAD
CORPORATION
ENGINEERING SERVICES

PROJECT
MOTIVE POWER AND EQUIPMENT
PASSENGER COACHES

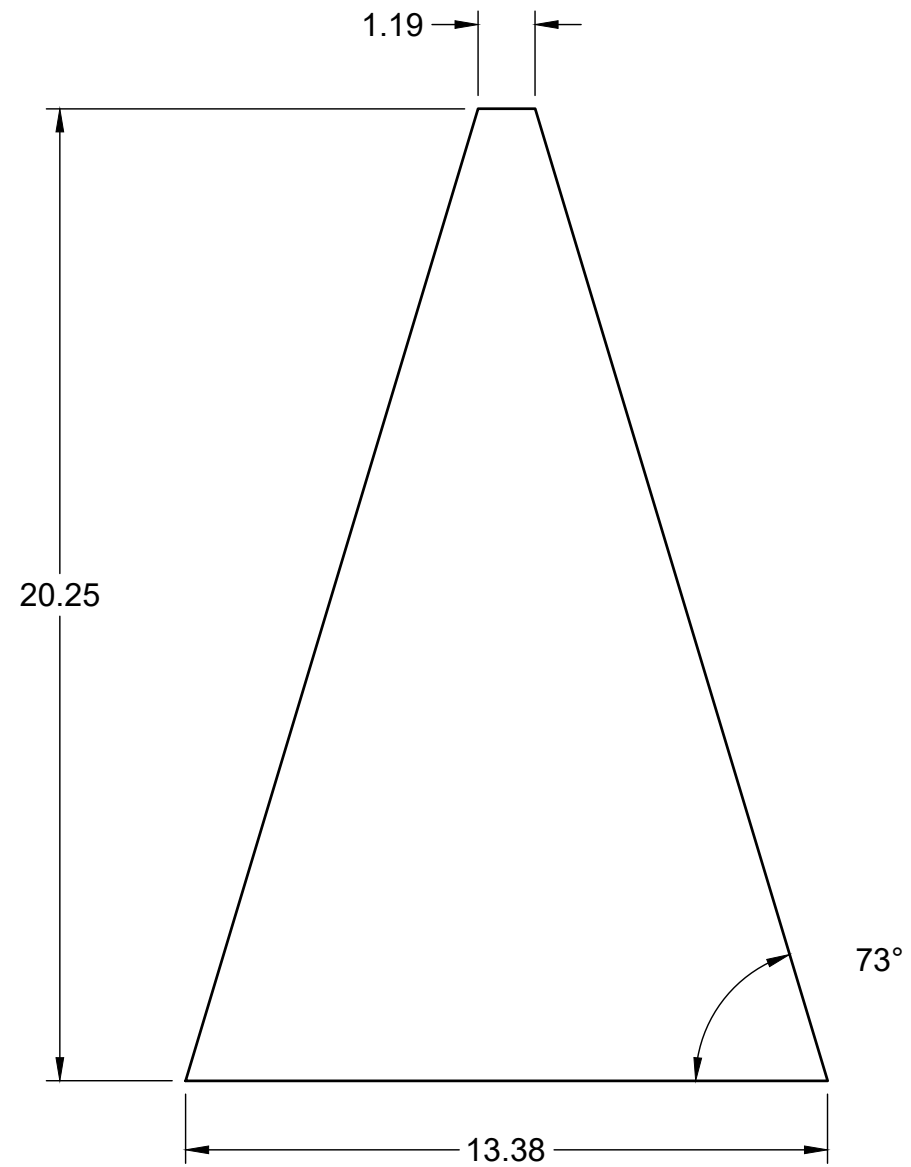
TITLE
ARR 451/452 DOUBLE DINING SEAT
LOWER TRIM BOARDS

APPROVED ARRC
CHECKED ARRC
DRAWN CDL

SCALE 1:6

DATE 11/04/2022

SHEET 1/2



ARR 45X DOUBLE DINING SEAT
UPPER TRIM BOARD
 PN: ARR-45X-0012

MATERIAL: $\frac{1}{2}$ " CABINET GRADE PLYWOOD,
 FORMICA 920-58 'ALMOND' MATTE FINISH
 LAMINATE OUTSIDE SURFACE AND EDGES,
 WHITE LAMINATE INSIDE SURFACE



ALASKA RAILROAD
 CORPORATION
 ENGINEERING SERVICES

PROJECT		MOTIVE POWER AND EQUIPMENT PASSENGER COACHES	
TITLE			
ARR 451/452 DOUBLE DINING SEAT UPPER TRIM BOARD			
APPROVED ARRC	SCALE 1:6	SHEET 2/2	
CHECKED ARRC	DATE 11/04/2022		
DRAWN CDL			