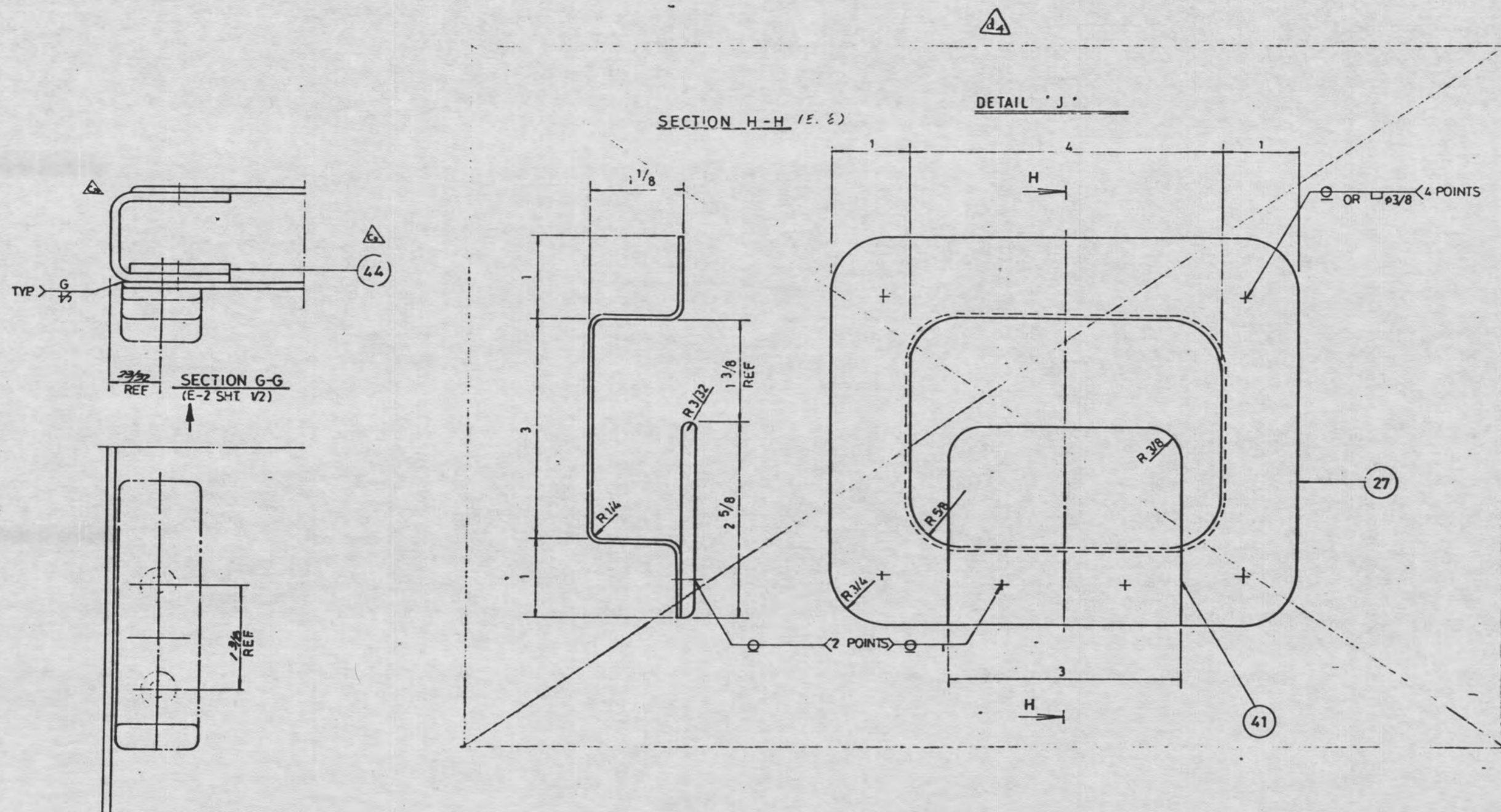


REVIEWED BY
 ENFROTECH CORP.
 9-23-88

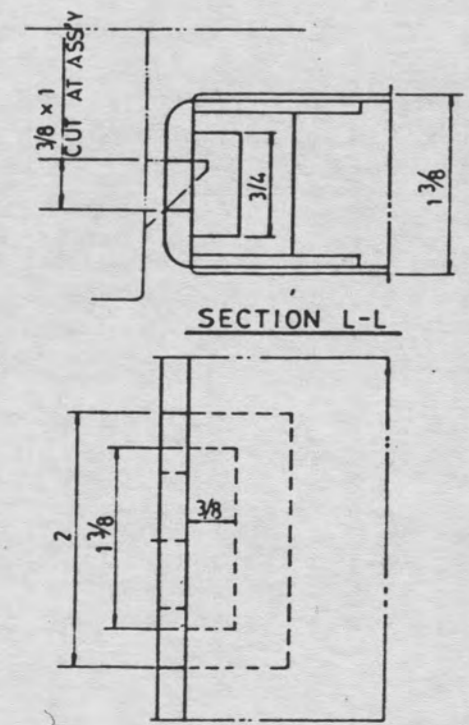
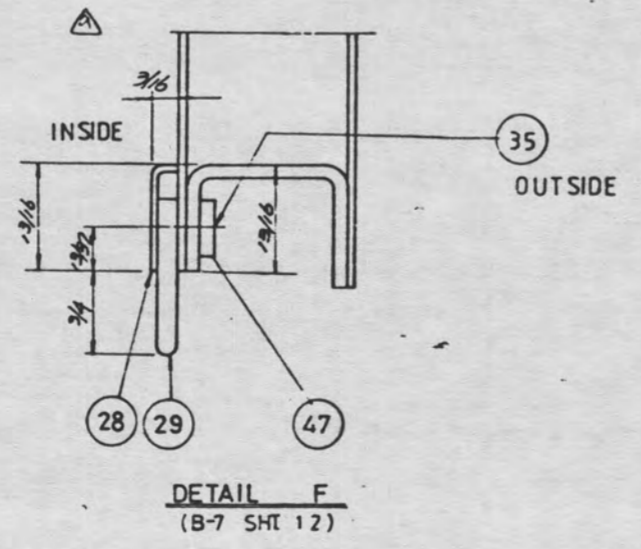
NO.	REVISION	DESCRIPTION	DATE	BY	CHK	APP
1	DELETED ITEM NO. 40	ADDED SEC. L-L				
2	DELETED ITEM NO. 41	ADDED DIMENSION				
3	DELETED ITEM NO. 42	ADDED DIMENSION				
4	DELETED ITEM NO. 43	ADDED DIMENSION				
5	DELETED ITEM NO. 44	ADDED DIMENSION				
6	DELETED ITEM NO. 45	ADDED DIMENSION				
7	DELETED ITEM NO. 46	ADDED DIMENSION				
8	DELETED ITEM NO. 47	ADDED DIMENSION				
9	DELETED ITEM NO. 48	ADDED DIMENSION				
10	DELETED ITEM NO. 49	ADDED DIMENSION				
11	DELETED ITEM NO. 50	ADDED DIMENSION				
12	DELETED ITEM NO. 51	ADDED DIMENSION				
13	DELETED ITEM NO. 52	ADDED DIMENSION				
14	DELETED ITEM NO. 53	ADDED DIMENSION				
15	DELETED ITEM NO. 54	ADDED DIMENSION				
16	DELETED ITEM NO. 55	ADDED DIMENSION				
17	DELETED ITEM NO. 56	ADDED DIMENSION				
18	DELETED ITEM NO. 57	ADDED DIMENSION				
19	DELETED ITEM NO. 58	ADDED DIMENSION				
20	DELETED ITEM NO. 59	ADDED DIMENSION				
21	DELETED ITEM NO. 60	ADDED DIMENSION				
22	DELETED ITEM NO. 61	ADDED DIMENSION				
23	DELETED ITEM NO. 62	ADDED DIMENSION				
24	DELETED ITEM NO. 63	ADDED DIMENSION				
25	DELETED ITEM NO. 64	ADDED DIMENSION				
26	DELETED ITEM NO. 65	ADDED DIMENSION				
27	DELETED ITEM NO. 66	ADDED DIMENSION				
28	DELETED ITEM NO. 67	ADDED DIMENSION				
29	DELETED ITEM NO. 68	ADDED DIMENSION				
30	DELETED ITEM NO. 69	ADDED DIMENSION				
31	DELETED ITEM NO. 70	ADDED DIMENSION				
32	DELETED ITEM NO. 71	ADDED DIMENSION				
33	DELETED ITEM NO. 72	ADDED DIMENSION				
34	DELETED ITEM NO. 73	ADDED DIMENSION				
35	DELETED ITEM NO. 74	ADDED DIMENSION				
36	DELETED ITEM NO. 75	ADDED DIMENSION				
37	DELETED ITEM NO. 76	ADDED DIMENSION				
38	DELETED ITEM NO. 77	ADDED DIMENSION				
39	DELETED ITEM NO. 78	ADDED DIMENSION				
40	DELETED ITEM NO. 79	ADDED DIMENSION				
41	DELETED ITEM NO. 80	ADDED DIMENSION				

NO.	REVISION	DESCRIPTION	DATE	BY	CHK	APP
1	87.12.16	ADDED & REVISED FOR IMPROVEMENT				
2	88.1.18	CHANGED TYPE OF HINGE				
3	88.1.18	CHANGED TYPE OF HINGE				
4	88.1.18	CHANGED TYPE OF HINGE				
5	88.1.18	CHANGED TYPE OF HINGE				
6	88.1.18	CHANGED TYPE OF HINGE				
7	88.1.18	CHANGED TYPE OF HINGE				
8	88.1.18	CHANGED TYPE OF HINGE				
9	88.1.18	CHANGED TYPE OF HINGE				
10	88.1.18	CHANGED TYPE OF HINGE				
11	88.1.18	CHANGED TYPE OF HINGE				
12	88.1.18	CHANGED TYPE OF HINGE				
13	88.1.18	CHANGED TYPE OF HINGE				
14	88.1.18	CHANGED TYPE OF HINGE				
15	88.1.18	CHANGED TYPE OF HINGE				
16	88.1.18	CHANGED TYPE OF HINGE				
17	88.1.18	CHANGED TYPE OF HINGE				
18	88.1.18	CHANGED TYPE OF HINGE				
19	88.1.18	CHANGED TYPE OF HINGE				
20	88.1.18	CHANGED TYPE OF HINGE				
21	88.1.18	CHANGED TYPE OF HINGE				
22	88.1.18	CHANGED TYPE OF HINGE				
23	88.1.18	CHANGED TYPE OF HINGE				
24	88.1.18	CHANGED TYPE OF HINGE				
25	88.1.18	CHANGED TYPE OF HINGE				
26	88.1.18	CHANGED TYPE OF HINGE				
27	88.1.18	CHANGED TYPE OF HINGE				
28	88.1.18	CHANGED TYPE OF HINGE				
29	88.1.18	CHANGED TYPE OF HINGE				
30	88.1.18	CHANGED TYPE OF HINGE				
31	88.1.18	CHANGED TYPE OF HINGE				
32	88.1.18	CHANGED TYPE OF HINGE				
33	88.1.18	CHANGED TYPE OF HINGE				
34	88.1.18	CHANGED TYPE OF HINGE				
35	88.1.18	CHANGED TYPE OF HINGE				
36	88.1.18	CHANGED TYPE OF HINGE				
37	88.1.18	CHANGED TYPE OF HINGE				
38	88.1.18	CHANGED TYPE OF HINGE				
39	88.1.18	CHANGED TYPE OF HINGE				
40	88.1.18	CHANGED TYPE OF HINGE				
41	88.1.18	CHANGED TYPE OF HINGE				
42	88.1.18	CHANGED TYPE OF HINGE				
43	88.1.18	CHANGED TYPE OF HINGE				
44	88.1.18	CHANGED TYPE OF HINGE				
45	88.1.18	CHANGED TYPE OF HINGE				
46	88.1.18	CHANGED TYPE OF HINGE				

REF NO.	PARTS NO.	DESCRIPTION	MAT.	QTY	W.T.	REMARKS
J.SONG		SIDE ENTRANCE DOOR ASSEMBLY (1/2)				
115492						
DAEWOO HEAVY INDUSTRIES LTD.						



NOTES
 1. REMOVE ALL BURRS AND BREAK SHARP EDGES.



NO	DESCRIPTION	MAT	QTY	W	T	REMARKS
47	SUPPORT	MILD STEEL	1			1 1/2 x 1/2 x 3/8
46	MCMASTER NO 7006304231	TAMPERPROOF SCREW	6			20-22 x 1/4
45	TAPPING PIN	ASTM A-222	1			1/4
44	SUPPORT	ASTM A-222	2			1/2 x 1/4 x 3
43	FRAME	"	1			1 1/2 x 2
42	SUPPORT	ASTM A-222	1			1 1/2
41	MCMASTER NO 32264-6	HANDLE	1			1 1/2
39	SUPPORT	ASTM A-222	2			1 1/2 x 1/4
38	INSULATION	FIBER GLASS	ACTY			1/2 FT
37	917904597	OVAL HD SCREW	S.S.	30		1/4-20 x 1/2
35	91402A829	OVAL HD SCREW	"	8		1/4-20 x 1/2
34	9182A032	OVAL HD SCREW	"	1		1/4-20 x 1/2
33	9182A133	OVAL HD SCREW	S.S.	4		1/4-20 x 1/2
32	PA9	ASTM A-222	1			1 1/2
31	PA9	ASTM A-222	1			1 1/2
30	200-0103	BUMPER	"	1		
29	MCMASTER 861612	WEATHERSTRIP	EPDM	1		1 1/2
28	MOULDING	ASTM A-222	1			1 1/2
27						
26						
25	MCMASTER NO 152A84	HINGE	S.S.	4		1/2 x 3 x 1/2
24	# 2223	CATCH	MCMASTER	1		22215
23						
22	MCMASTER NO 91771A829	FLAT HD SCREW	S.S.	6		1/4-20 x 1/2
21	MOULDING	ASTM A-222	1			1 1/2
20	2197K-2	GLASS	"	1		1 1/2
19	32244-12	RUBBER	EDDM	1		1 1/2
18	AUDA NO 114	RUBBER	EPDM	1		1 1/2
17						
16						
15	STIFFENER	ASTM A-222	1			1 1/2
14	STIFFENER	"	16			1 1/2 x 6 x 6
13	FRAME	"	1			1 1/2
12	LATCH FRAME	"	1			1 1/2
11	FRAME	"	1			1 1/2
10	"	"	1			1 1/2
9	"	"	1			1 1/2
8	"	"	1			1 1/2
7	"	"	1			1 1/2
6	"	"	1			1 1/2
5	FRAME	"	1			1 1/2
4	SIDE PANEL	"	1			1 1/2
3	"	"	1			1 1/2
2	"	"	1			1 1/2
1	SIDE PANEL	ASTM A-222	1			1 1/2

REVIEWED BY
 ENPROTECH
 CCRP

NO	DATE	REVISION	REMARKS
1	87.9.15	SEE SHEET 1/4	
2	87.9.23	CHANGED TYPE OF HINGE & REVISED	
3	87.10.1	AFTER 1 REVISED FOR IMPROVEMENT	

115492
 SIDE ENTRANCE DOOR ASSEMBLY (2/2)
 SCALE: 1:1
 DATE: Nov. 10, '87
 DAEWOO HEAVY INDUSTRIES LTD. SEUL KOREA