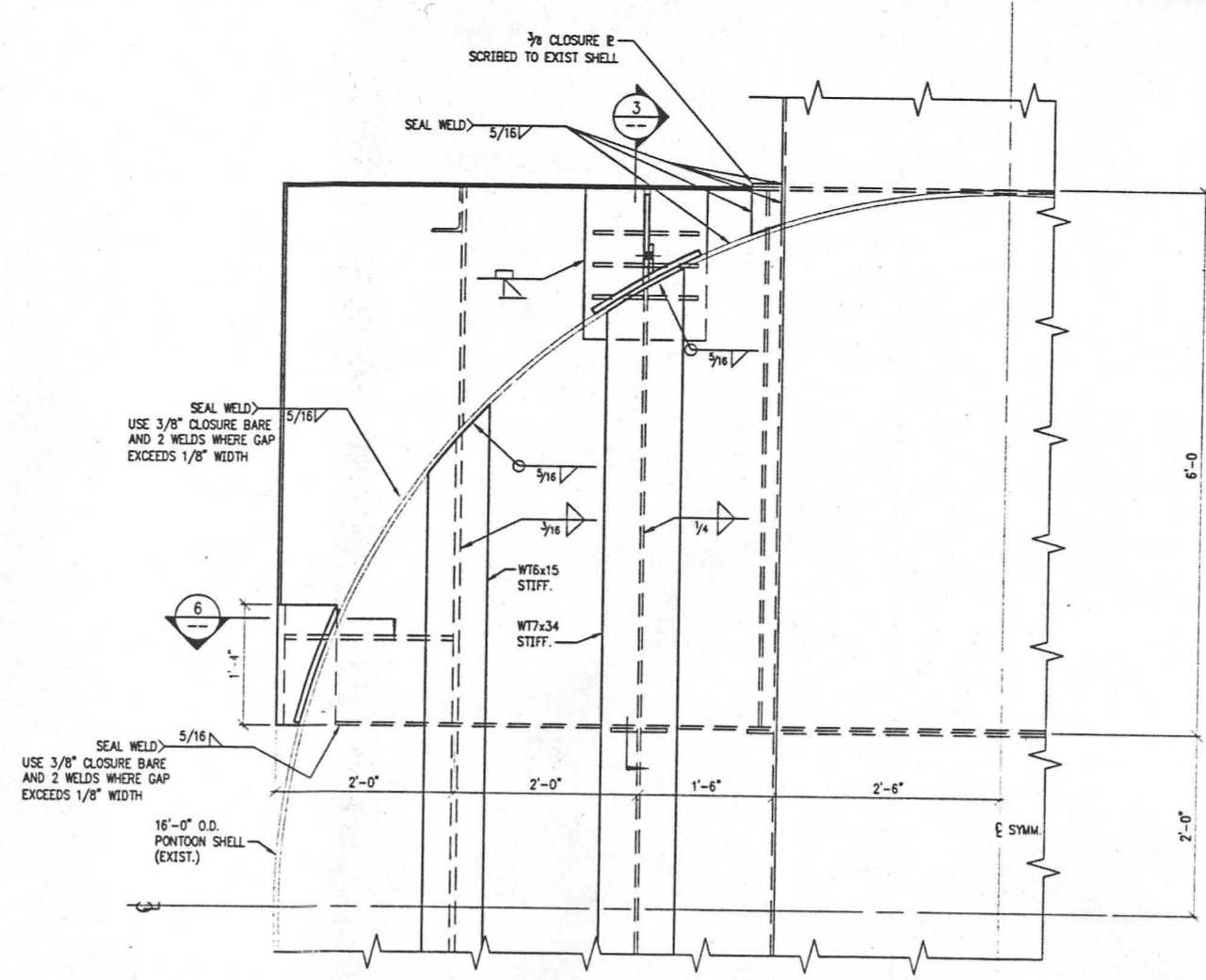
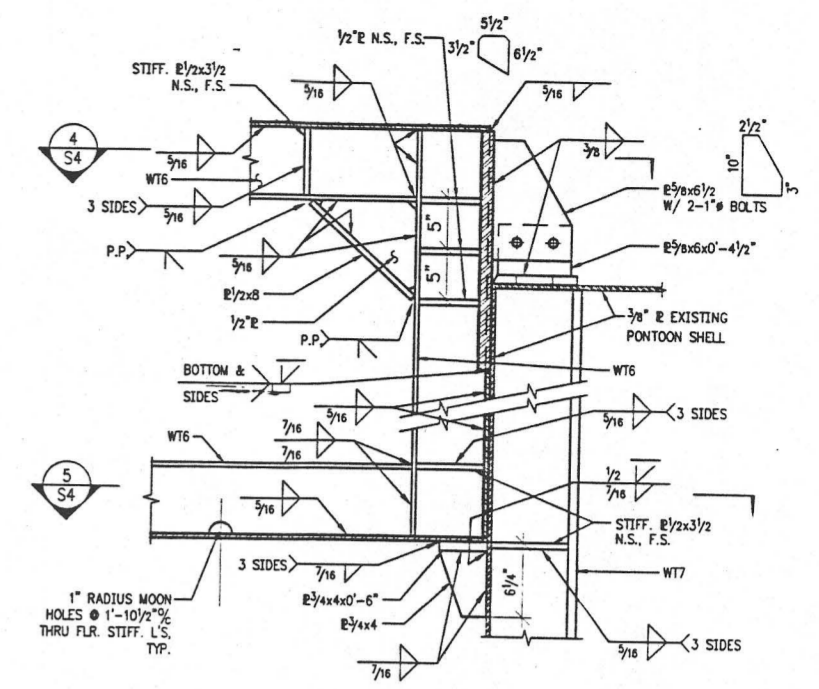


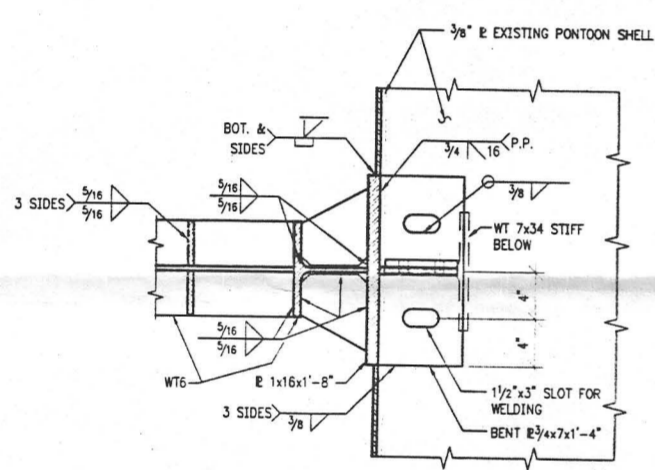
1 BRACING STRUT DETAIL  
SCALE: 1 1/2" = 1'-0"



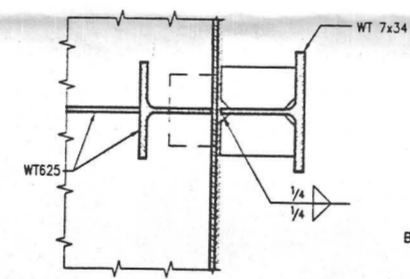
2 SECTION  
SCALE: 1" = 1'-0"



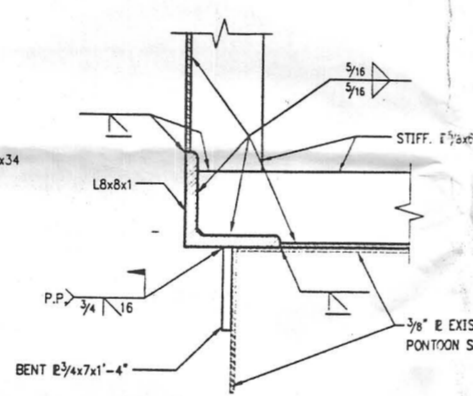
3 SECTION  
SCALE: 1 1/2" = 1'-0"



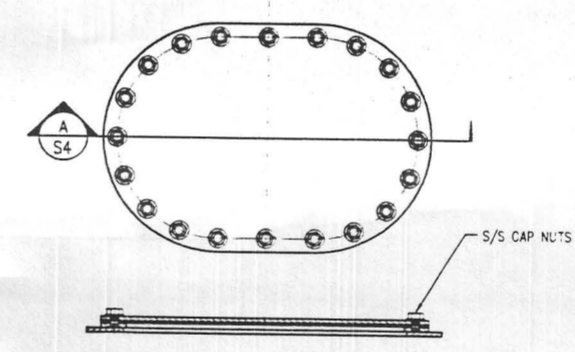
4 SECTION  
SCALE: 1 1/2" = 1'-0"



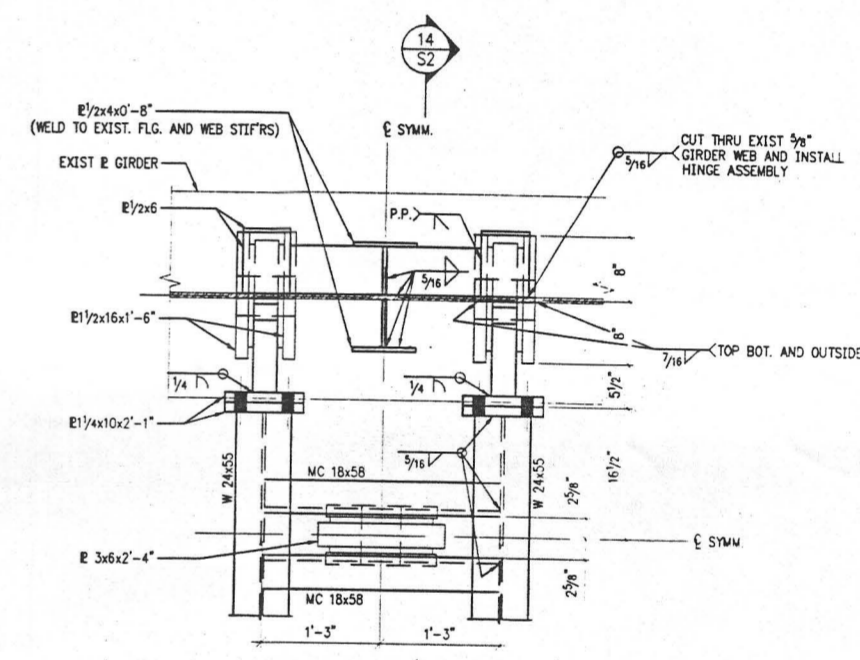
5 SECTION  
SCALE: 1 1/2" = 1'-0"



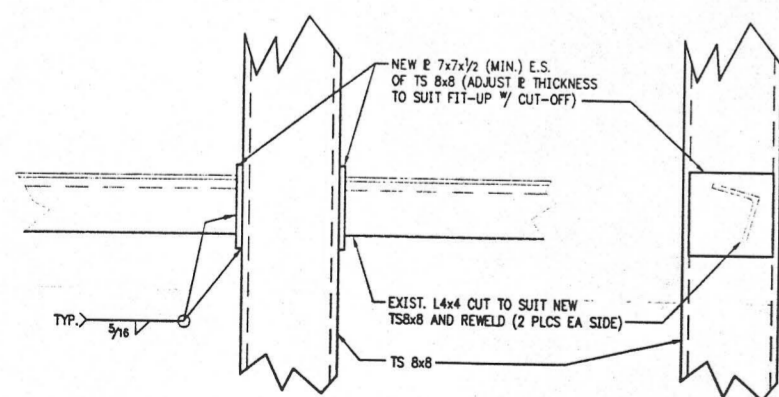
6 SECTION  
SCALE: 1 1/2" = 1'-0"



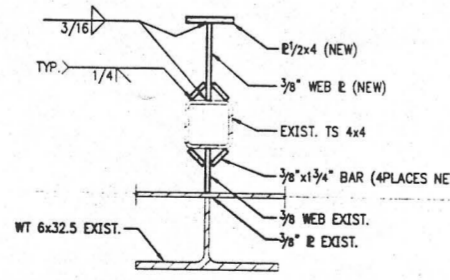
7 ACCESS MANHOLE COVER DETAIL  
SCALE: 1 1/2" = 1'-0"



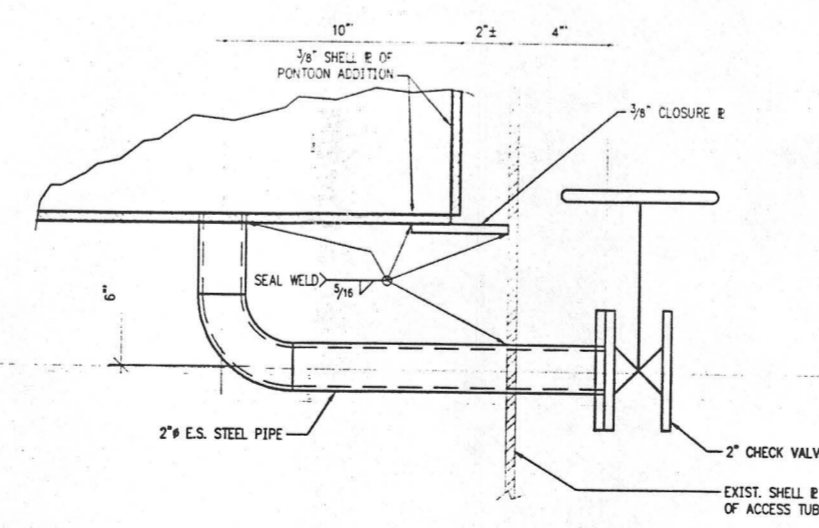
8 PONTOON SUPPORT STRUT PLAN  
SCALE: 1" = 1'-0"



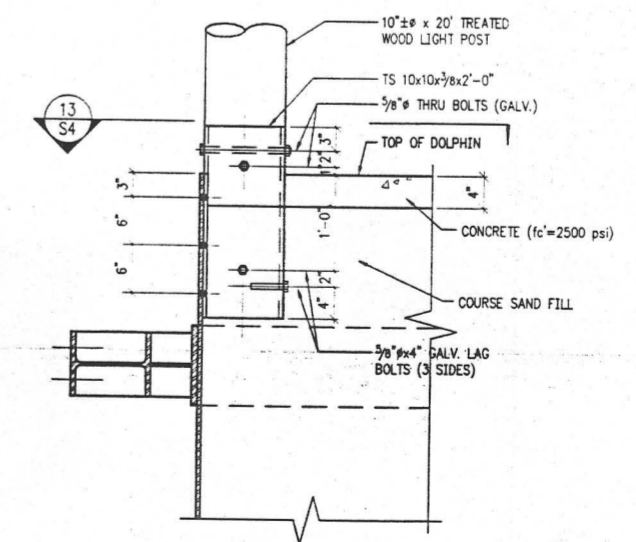
9 VIEW  
SCALE: 1 1/2" = 1'-0"



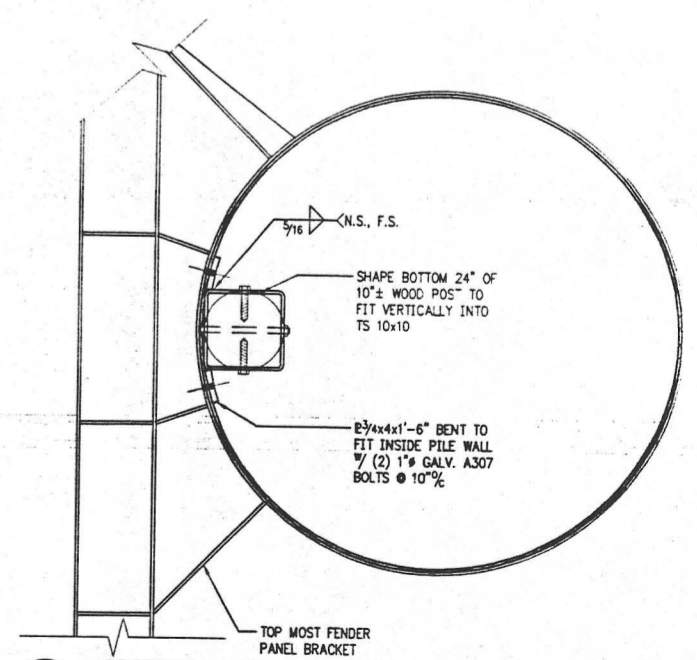
10 SECTION  
SCALE: 1 1/2" = 1'-0"



11 SECTION  
SCALE: 3" = 1'-0"



12 SECTION  
SCALE: 1" = 1'-0"



13 SECTION  
SCALE: 1" = 1'-0"

**SUMMIT TECHNOLOGY**

CONSULTING ENGINEERS, INC. P.S.

615 SECOND AVENUE  
SUITE 580  
SEATTLE, WA 98104  
(206) 622-0222  
FAX (206) 622-4764



REV	DATE	BY	CHECKED



PIER 15 1/2 RAMP MODIFICATIONS  
SECTIONS AND DETAILS  
CROWLEY MARINE SERVICES  
SEATTLE, WASHINGTON

DATE  
8/10/98  
JOB NUMBER  
98007  
DRAWING NUMBER

CMS-RD 000580

S4



