

# LOADED CONTAINER HANDLER



UP TO 90000 LBS. (45 TON) CAPACITY

SPECIFICATIONS



THD9000-L3.L4 | THD8600-L5 | THD8000-L6



Some product features described herein are optional. Please consult your dealer for specifications. Details of specifications and equipment are based on information available at time of printing and may change without notice.

00722LCHSS

©2016 Toyota Material Handling, U.S.A., Inc.

CLASS  
5

INTERNAL COMBUSTION ENGINE PNEUMATIC TIRE

ToyotaForklift.com

**LOADED CONTAINER HANDLER**

**CAPACITY**  
**UP TO 90000 LBS.**

**WHEELBASE**  
**236 - 275 IN.**

**LOAD CENTER**  
**97 IN.**

**INDUSTRIAL**



Intermodal/Port

**STANDARD FEATURES**

**SAFETY**

- Electric horn
- Asbestos-free components
- Neutral safety switch
- Integrated overhead guard
- Operator restraint system seat
- Operator Presence Sensing System (OPSS)

**PERFORMANCE**

- CUMMINS® 10.8 liter, 6-cylinder Tier 3 diesel engine
- Common-rail electronic fuel injection system
- Turbocharged & intercooled
- Dana model 36000 transmission with 3 forward & 3 reverse speeds
- Tilt position indicator
- Suspended attachment with four ISO twistlocks
- Extendable/retractable to 20' & 40' pick points
- Large LED twistlock engagement indicator lights
- Interlock safety system to ensure proper locking
- 12" of side shift each way
- Hydraulic pile slope
- Load sensing, hydrostatic-powered steering
- Independent brake & brake/declutch pedals
- 3-spool main control valve (lift, tilt, attachment)
- Load-sensing steering & brake pump
- Upswept exhaust
- Warning lights
- Battery charge
- Low engine oil pressure
- High transmission oil temperature
- Park & service brake
- Low fuel level
- Water in fuel
- High engine water temperature
- Clogged air filter
- Hydraulic transmission filter
- Integrated multifunction display – includes:
  - Hour meter display
  - Fuel gauge
  - Low fuel warning light
  - Engine oil pressure gauge
  - Battery charge warning light
  - Water temperature gauge
  - Transmission temperature gauge
  - Transmission, air & hydraulic filter indicator
  - Parking brake indicator
  - Oil pressure indicator
  - Service indicator
  - Engine water temperature indicator
  - Tachometer
  - Speedometer
  - Overload warning system
- Lockable battery isolator

**DURABILITY**

- Force-cooled wet disc brakes
- Planetary drive axle rated for durability in high-capacity, off-road applications
- Heavy-duty, welded steer axle
- Rigidly constructed welded frame
- Precleaner
- Engine protection system
- High-capacity cooling system
- Open core radiator with fan shroud
- Welded-nested mast rails
- 12-volt electrical system with 12V starter motor & alternator
- Two 12V batteries, each rated at 1300 cold cranking amps
- Two-stage heavy-duty air cleaner
- 2 stage wide visible mast (V)
- Polymer steer axle articulation stops

**ERGONOMICS/CABIN**

- LED forward-facing cab-mounted headlights (4)
- LED forward-facing front fender-mounted headlights (2)
- LED forward-facing mast-mounted headlights (2)
- LED forward-facing attachment-mounted spreader headlights (4)
- LED rearward-facing lights (2)
- LED forward-facing gallow lights (2)
- Stairway lighting
- Strobe light
- Forward & reverse travel alarms
- Single multifunction joystick control handle
- Key off headlights
- Side-view mirrors (right & left sides)
- Front indicator lights
- Rear combination lights (stop/turn/tail/back up) (2)
- Elevated operator cab (rear mounted)
- Dashless cab design for improved visibility
- Front & rear windshield washer/wiper
- Top mounted windshield washer/wiper
- Individually controlled front/rear wipers
- Cabin doors with sliding windows
- LED twistlock indicator lights inside cab
- Tilt steering column
- Left-hand directional shift lever
- Adjustable air-ride seat with retractable seat belts
- Lockable doors with greaseable hinges
- Cab heater & defroster
- Tinted glass to minimize glare
- Four turn lock-to-lock steering wheel

**SERVICEABILITY**

- Electronic engine diagnostics with fault code history
- Easy-access filters
- Hydraulic multi-gauge
- Externally serviceable brakes
- Hinged engine compartment doors with gas struts
- External attachment spreader cylinders
- Bolt-on tanks, counterweights, cab super-structure, and stairways (removable)
- Powertrain access panels with quick-release latches

**OPTIONAL EQUIPMENT**

**POWERTRAIN**

- Tier 3 diesel engine
- Tier 4i (interim) diesel engine
- Precleaner
- Exhaust purifier (tier 3 only)
- Exhaust silencer (tier 3 only)
- Fitch fuel catalyst

**LOAD HANDLING**

- 4-point top pick ISO – twistlock
- WTP/Pin module
- Rear container guides
- DVR system
- Trailer leg module (requires 275" wheelbase)
- Twistlock snapshot camera system
- Spreader beam slave attachments
- Container landing damage prevention system

**COLD START AID**

- Oil pan heater
- Engine block heater
- Hydraulic tank heater
- Fuel heater (diesel)
- Battery pad warmer
- Coolant preheater

**CAB/CONTROLS**

- Open cab (less doors, glass, wipers, heater)
- Air-conditioning
- AM/FM/CD with 2 speakers
- Auxillary 12V power supply (pass through studs)
- Top sunshade
- Rear sunshade
- Single joystick control
- Orange seatbelt
- Rearview mirror (center mount)
- Auxillary heater/front defrost
- Cab tilt
- 3-point seatbelt
- Floor-mounted computer stand

**CHASSIS**

- Counterweight towpin (recessed)
- Bellypan kit

**INDICATORS & MISC.**

- Forward camera system visibility aid
- Rear camera system visibility aid
- Dual camera system visibility aid
- Onboard load weighing system
- Onboard load weighing system (with tape printer)
- Fire extinguisher (5 lb. cab mount)
- Fire extinguisher (20 lb. chassis mount)
- Fire suppression system –twin agent auto/manual
- Rear object detection radar
- 4-corner object detection radar
- Shock sensor warning system (w/ logging)
- Tire pressure monitoring system
- 2nd position keyswitch twistlock override
- Ground level E-stop stations (1 each side)
- Ground level monitoring kit
- French Canadian language

**ELECTRICAL**

- Jumpstart receptacle

**LIGHTS/ALARMS**

- Extra strobe (magnetic)
- Forward travel alarm
- HID work light upgrade (fender & counterweight)

**SERVICE/MAINTENANCE**

- Central lubrication system
- Autolubrication system (chassis)
- Autolubrication system (spreader)
- Engine oil purification system
- Onboard battery trickle charger
- Onboard standalone generator

**PAINT (REQUIRES PAINT CODE & MAP)**

- Custom color (single or dual)
- Chevron striping on counterweight
- Intermodal tire striping

**TIRE/WHEEL**

- Pneumatic
- Foam-filled pneumatic tires
- Solid pneumatic tires (lugged)
- Solid pneumatic tires (smooth)
- Extra tire/rim

Please consult your Toyota Dealer for options availability for your truck configuration.

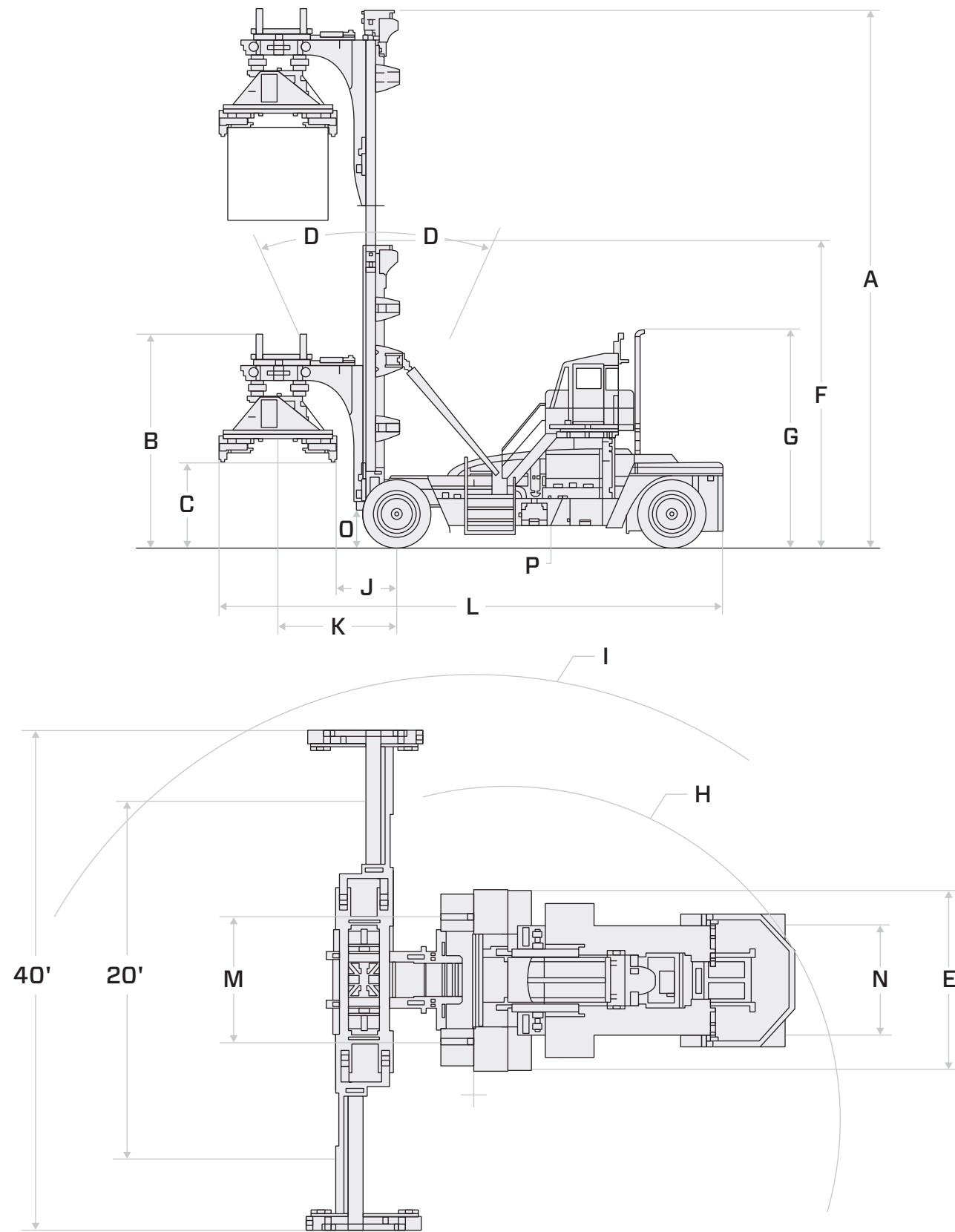
TRUCK SPECIFICATIONS

		MODEL NUMBERS			
GENERAL DATA		THD9000-L3	THD9000-L4		
Load Capacity (at 97" Load Center)	lb (kg)	90000 (40823) - 2 High	90000 (40823) - 2 High		
Load Capacity (at 97" Load Center)	lb (kg)	90000 (40823) - 3 High	85000 (38556) - 4 High		
Load Center	in (mm)	97 (2464)	97 (2464)		
Power Type		Diesel	Diesel		
Operator Position		Seated Rider	Seated Rider		
Tire Type	Front / Rear	Pneumatic	Pneumatic		
Wheels (x = driven)	Front / Rear	4x / 2	4x / 2		
EXTERIOR DIMENSIONS		THD9000-L3	THD9000-L4		
<b>A</b> Mast Extended Height	in (mm)	571 (14491)	623 (15824)		
Free Lift	in (mm)	0 (0)	0 (0)		
<b>B</b> Height to Top of Attachment (Lowered) (T x W x L)	in (mm)	216 (5486)	216 (5486)		
Height to Top of Twistlock (Raised)	in (mm)	382.6 (9718)	498.6 (12664)		
<b>C</b> Height to Top of Twistlock (Lowered)	in (mm)	90 (2286)	90 (2286)		
<b>D</b> Tilt Range (Forward / Backward)	deg	5 / 10	5 / 10		
<b>E</b> Overall Width	in (mm)	TBD	TBD		
<b>F</b> Mast Lowered Height	in (mm)	257 (6528)	315 (8001)		
<b>G</b> Overhead Guard Height (Top of Cab)	in (mm)	196 (4978)	196 (4978)		
<b>H</b> Turning Radius (Outside)	in (mm)	320 (8128)	320 (8128)		
<b>I</b> Turning Radius (With 40 ft. Container)	in (mm)	386 (9804)	386 (9804)		
<b>J</b> Length to Load Face (Centerline of Front Axle to Front Face of Attachment)	in (mm)	37 (940)	37 (940)		
<b>K</b> Length to Load (Centerline of Front Axle to Center of Load)	in (mm)	97 (2464) / 106 (2692)	97 (2464) / 106 (2692)		
<b>L</b> Basic Right-Angle Stacking Aisle Width (Includes 24" Safety Margin) 20 ft. / 40 ft. Cont.	in (mm)	522 (13259) / 601 (15265)	522 (13259) / 601 (15265)		
PERFORMANCE DATA		THD9000-L3	THD9000-L4		
Speeds	Maximum Travel (forward / reverse)	Full Load	mph (km/h)	19.2 (30.9)	19.2 (30.9)
		No Load	mph (km/h)	19.2 (30.9)	19.2 (30.9)
	Lifting	Full Load	fpm (mm/sec)	47 (239)	47 (239)
		No Load	fpm (mm/sec)	50 (254)	50 (254)
	Lowering	Full Load	fpm (mm/sec)	60 (300)	60 (300)
		No Load	fpm (mm/sec)	60 (300)	60 (300)
Drawbar Pull	Maximum	Full Load	lb (kg)	26572 (12053)	26392 (11971)
		No Load	lb (kg)	28372 (12869)	28192 (12788)
Gradeability	1 mph (1.5km/h)	Full Load	%	7.1	6.7
		No Load	%	11.5	11.1
	Maximum	Full Load	%	18.4	17.4
		No Load	%		
TRUCK WEIGHTS		THD9000-L3	THD9000-L4		
Total Weight	lb (kg)	168578 (76466)	177568 (80544)		
Weight Distribution	Full Load (front / rear)	lb (kg)	225851 (102445) / 32727 (14845)	234841 (106523) / 32727 (14845)	
	No Load (front / rear)	lb (kg)	90470 (41037) / 78108 (35430)	99460 (45115) / 78108 (35430)	
TIRES		THD9000-L3	THD9000-L4		
Tires	Number (front / rear)	4 / 2			
	Size (front / rear)	18.00-25-40PR / 18.00-25-40PR			
Wheelbase	in (mm)	236 (5994)			
<b>M</b> Tread Width (front)	in (mm)	120 (3048)			
<b>N</b> Tread Width (rear)	in (mm)	105 (2667)			
<b>O</b> Underclearance (full load)	Minimum with Load	in (mm)		16 (406)	
	Center of Wheelbase	in (mm)		21 (533)	
<b>P</b> Brake	Service (foot) / Parking	Wet disc / Caliper			
POWER SYSTEM		THD9000-L3	THD9000-L4		
Battery	V	12			
Internal Combustion Engine	Make / Model	CUMMINS 10.8L QSM11			
	Rated Horsepower @ rpm	SAE HP	330 @ 2100		
		(kW)	(246 @ 2100)		
	Rated Torque @ rpm	SAE ft-lb	TBD		
		(N-m)	TBD		
	Number of Cylinders		6		
Piston Displacement	cu in (cc)	660 (10815)			
Fuel Tank Capacity	US gal (liter)	155 (587)			
Transmission	Type	POWERSHIFT - AUTOSHIFT			
	Speeds (forward / reverse)	3 / 3			
Auxiliary Hydraulic Function Specifications (for attachments)	Max. Operating Pressure	psi (kg/cm2)		3125 (220)	
	Max. Flow Rate	gpm (lpm)		TBD	

TRUCK SPECIFICATIONS

		MODEL NUMBERS			
GENERAL DATA		THD8600-L5	THD8000-L6		
Load Capacity (at 97" Load Center)	lb (kg)	86000 (39009) - 2 High	80000 (36287) - 2 High		
Load Capacity (at 97" Load Center)	lb (kg)	76000 (34473) - 5 High	75000 (34020) - 6 High		
Load Center	in (mm)	97 (2464)	97 (2464)		
Power Type		Diesel	Diesel		
Operator Position		Seated Rider	Seated Rider		
Tire Type	Front / Rear	Pneumatic	Pneumatic		
Wheels (x = driven)	Front / Rear	4x / 2	4x / 2		
EXTERIOR DIMENSIONS		THD8600-L5	THD8000-L6		
<b>A</b> Mast Extended Height	in (mm)	731 (18567)	847 (21514)		
Free Lift	in (mm)	0 (0)	0 (0)		
<b>B</b> Height to Top of Attachment (Lowered) (T x W x L)	in (mm)	216 (5486)	216 (5486)		
Height to Top of Twistlock (Raised)	in (mm)	606.6 (15408)	722.6 (18354)		
<b>C</b> Height to Top of Twistlock (Lowered)	in (mm)	90 (2286)	90 (2286)		
<b>D</b> Tilt Range (forward / backward)	deg	5 / 10	5 / 10		
<b>E</b> Overall Width	in (mm)	TBD	TBD		
<b>F</b> Mast Lowered Height	in (mm)	373 (9474)	431 (10947)		
<b>G</b> Overhead Guard Height (Top of Cab)	in (mm)	196 (4978)	196 (4978)		
<b>H</b> Turning Radius (Outside)	in (mm)	320 (8128)	320 (8128)		
<b>I</b> Turning Radius (With 40 ft. Container)	in (mm)	386 (9804)	386 (9804)		
<b>J</b> Length to Load Face (Centerline of Front Axle to Front Face of Attachment)	in (mm)	37 (940)	37 (940)		
<b>K</b> Length to Load (Centerline of Front Axle to Center of Load)	in (mm)	97 (2464) / 106 (2692)	97 (2464) / 106 (2692)		
<b>L</b> Basic Right-Angle Stacking Aisle Width (Includes 24" Safety Margin) 20 ft. / 40 ft. Cont.	in (mm)	522 (13259) / 601 (15265)	522 (13259) / 601 (15265)		
PERFORMANCE DATA		THD8600-L5	THD8000-L6		
Speeds	Maximum Travel (forward / reverse)	Full Load	mph (km/h)	19.2 (30.9)	20 (33)
		No Load	mph (km/h)	19.2 (30.9)	20 (33)
	Lifting	Full Load	fpm (mm/sec)	47 (239)	47 (239)
		No Load	fpm (mm/sec)	50 (254)	50 (254)
	Lowering	Full Load	fpm (mm/sec)	60 (300)	60 (300)
		No Load	fpm (mm/sec)	60 (300)	60 (300)
Drawbar Pull	Maximum	Full Load	lb (kg)	26214 (11891)	24802 (11250)
		No Load	lb (kg)	28014 (12707)	26602 (12067)
Gradeability	1 mph (1.5km/h)	Full Load	%	6.3	5.9
		No Load	%	10.7	9.8
	Maximum	Full Load	%	16.5	15
		No Load	%		
TRUCK WEIGHTS		THD8600-L5	THD8000-L6		
Total Weight	lb (kg)	186500 (84596)	195374 (88621)		
Weight Distribution	Full Load (front / rear)	lb (kg)	243773 (110575) / 32727 (14845)	252647 (114600) / 32727 (14845)	
	No Load (front / rear)	lb (kg)	108392 (49166) / 78108 (35430)	117266 (53192) / 78108 (35430)	
TIRES		THD8600-L5	THD8000-L6		
Tires	Number (front / rear)	4 / 2			
	Size (front / rear)	18.00-25-40PR / 18.00-25-40PR			
Wheelbase	in (mm)	236 (5994)			
<b>M</b> Tread Width (front)	in (mm)	120 (3048)			
<b>N</b> Tread Width (rear)	in (mm)	105 (2667)			
<b>O</b> Underclearance (full load)	Minimum with Load (N)	in (mm)		16 (406)	
	Center of Wheelbase (O)	in (mm)		21 (533)	
<b>P</b> Brake (P)	Service (foot) / Parking	Wet disc / Caliper			
POWER SYSTEM		THD8600-L5	THD8000-L6		
Battery	V	12			
Internal Combustion Engine	Make / Model	CUMMINS 10.8L QSM11			
	Rated Horsepower @ rpm	SAE HP	330 @ 2100		
		(kW)	(246 @ 2100)		
	Rated Torque @ rpm	SAE ft-lb	TBD		
		(N-m)	TBD		
	Number of Cylinders		6		
Piston Displacement	cu in (cc)	660 (10815)			
Fuel Tank Capacity	US gal (liter)	155 (587)			
Transmission	Type	POWERSHIFT - AUTOSHIFT			
	Speeds (forward / reverse)	3 / 3			
Auxiliary Hydraulic Function Specifications (for attachments)	Max. Operating Pressure	psi (kg/cm2)		3125 (220)	
	Max. Flow Rate	gpm (lpm)		TBD	

EXTERIOR DIMENSIONS



MAST SPECIFICATIONS

MAST TYPE	MAST EXTENDED HEIGHT in (mm)	OVERALL MAST LOWERED HEIGHT in (mm)	FREE-LIFT in (mm)	TILT RANGE		LOAD CAPACITY	
				FWD deg	BWD deg	2 HIGH @ 97" LOAD CENTER lb (kg)	3 HIGH @ 97" LOAD CENTER lb (kg)
<b>THD9000-L3</b>							
Wide Visible (V)	571 (14491)	257 (6528)	0 (0)	5	10	90000 (40823)	90000 (40823)

MAST TYPE	MAST EXTENDED HEIGHT in (mm)	OVERALL MAST LOWERED HEIGHT in (mm)	FREE-LIFT in (mm)	TILT RANGE		LOAD CAPACITY	
				FWD deg	BWD deg	2 HIGH @ 97" LOAD CENTER lb (kg)	4 HIGH @ 97" LOAD CENTER lb (kg)
<b>THD9000-L4</b>							
Wide Visible (V)	623 (15824)	315 (8001)	0 (0)	5	10	90000 (40823)	85000 (83556)

MAST TYPE	MAST EXTENDED HEIGHT in (mm)	OVERALL MAST LOWERED HEIGHT in (mm)	FREE-LIFT in (mm)	TILT RANGE		LOAD CAPACITY	
				FWD deg	BWD deg	2 HIGH @ 97" LOAD CENTER lb (kg)	5 HIGH @ 97" LOAD CENTER lb (kg)
<b>THD8600-L5</b>							
Wide Visible (V)	731 (18567)	373 (9474)	0 (0)	5	10	86000 (39009)	76000 (34473)

MAST TYPE	MAST EXTENDED HEIGHT in (mm)	OVERALL MAST LOWERED HEIGHT in (mm)	FREE-LIFT in (mm)	TILT RANGE		LOAD CAPACITY	
				FWD deg	BWD deg	2 HIGH @ 97" LOAD CENTER lb (kg)	6 HIGH @ 97" LOAD CENTER lb (kg)
<b>THD8000-L6</b>							
Wide Visible (V)	847 (21514)	431 (10947)	0 (0)	5	10	80000 (36287)	75000 (34020)