

# CITY OF MADISON

## CITY ENGINEERING DIVISION

### DEPARTMENT OF PUBLIC WORKS

# PLAN OF PROPOSED IMPROVEMENT

PUBLIC IMPROVEMENT PROJECT APPROVED:

JULY 19, 2016

BY THE COMMON COUNCIL OF MADISON, WISCONSIN

PUBLIC IMPROVEMENT DESIGN APPROVED BY:

*[Signature]* 8/29/2016  
 City Engineer Date

STORM AND SANITARY SEWER DESIGNED BY:

*CONNECTIONS ONLY*

STREET AND SIDEWALK DESIGNED BY:



INDEX OF SHEETS

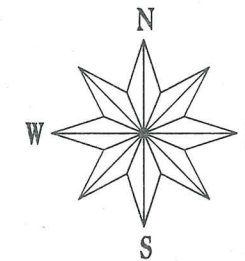
SHEET NO.	TITLE
1	TITLE
DI-D2	DETAILS
P1	STREET AND LANDSCAPING PLAN
U1	UTILITY PLAN

202 SOUTH BEDFORD STREET

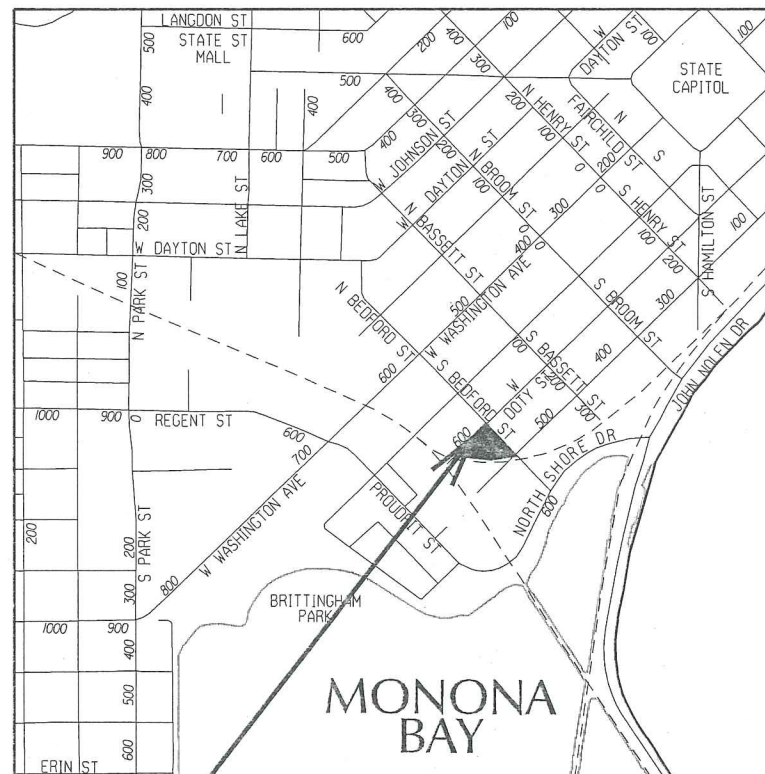
CITY PROJECT NO. 11409

CONTRACT NO. 7743

MUNIS NO. 11409



CONVENTIONAL SIGNS	
FIELD VERIFY ALL UTILITY LOCATIONS	
GAS	— G —
STORM SEWER	— ST —
SANITARY SEWER	— SAN —
WATER	— W —
OVERHEAD ELECTRIC	— OH —
UNDERGROUND ELECTRIC	— E —
UNDERGROUND ELECTRIC AMERICAN TRANSMISSION CO.	— ATC — E — ATC
POWER POLE	⊕
ADA COMPLIANT RAMP W/ DETECTABLE WARNING FIELD	
COMBUSTIBLE FLUIDS	



CONSTRUCTION PROJECT LOCATION

PLOT SCALE:

PLOT NAME:

REV. DATE:

ORIGINATOR: CITY OF MADISON, STREETS DIVISION

CONTRACTOR/DEVELOPER SHALL SUBMIT A TRAFFIC CONTROL PLAN TO CITY TRAFFIC ENGINEERING AT LEAST 10 WORKING DAYS PRIOR TO THE START OF WORK. WORK WITHIN THE RIGHT-OF-WAY SHALL NOT BEGIN UNTIL THE TRAFFIC CONTROL PLAN IS APPROVED.

ANY PAVEMENT MARKINGS THAT ARE REMOVED OR DAMAGED SHALL BE REPLACED BY THE DEVELOPER/CONTRACTOR AS DIRECTED BY CITY TRAFFIC ENGINEERING.

THE LOCATION AND INFORMATION FOR PROPOSED NEW TREES, IN THE PUBLIC RIGHT OF WAY OR ON PUBLIC LANDS ARE APPROXIMATE AND ARE SHOWN FOR REFERENCE ONLY.

CONTRACTOR SHALL CONTACT BRIAN MEILLER WITH CITY FORESTRY ((608) 444-2673 OR (608) 266-4890) AT LEAST ONE WEEK PRIOR TO PLANTING TO ALLOW FORESTRY TO MARK THE PLANTING SITES AND REVIEW PLANTING SPECIFICATIONS WITH THE LANDSCAPING CONTRACTOR. TREE PLANTING WITHIN THE PUBLIC RIGHT OF WAY OR ON PUBLIC LANDS SHALL BE APPROVED BY THE CITY FORESTER PRIOR TO INSTALLATION.

NO TREES IN THE RIGHT OF WAY OR ON PUBLIC LANDS SHALL BE TRIMMED, PRUNED, REMOVED OR ADVERSELY AFFECTED IN ANY WAY UNTIL THE DEVELOPER HAS RECEIVED WRITTEN PERMISSION FROM THE CITY ENGINEER OR CITY FORESTER. SAID WRITTEN PERMISSION SHALL INCLUDE LANGUAGE INDICATING THAT SECTION 10.101 OF THE MADISON GENERAL ORDINANCES AND ADMINISTRATIVE PROCEDURE MEMORANDUM NO. 6-2, REFERING TO NOTIFICATION OF PROPERTY OCCUPANTS AND/OR OWNERS, HAS BEEN COMPLIED WITH.

CONTRACTOR SHALL INSTALL TREE PROTECTION FENCING IN THE AREA BETWEEN THE CURB AND SIDEWALK AND EXTEND IT AT LEAST 5 FEET FROM BOTH SIDES OF THE TREE ALONG THE LENGTH OF THE TERRACE. NO EXCAVATION IS PERMITTED WITHIN 5 FEET OF THE OUTSIDE EDGE OF A TREE TRUNK. IF EXCAVATION WITHIN 5 FEET OF ANY TREE IS NECESSARY, CONTRACTOR SHALL CONTACT CITY FORESTRY (266-4816) PRIOR TO EXCAVATION TO ASSESS THE IMPACT TO THE TREE AND ROOT SYSTEM. TREE PRUNING SHALL BE COORDINATED WITH CITY FORESTRY. TREE PROTECTION SPECIFICATIONS CAN BE FOUND IN SECTION 107.13 OF CITY OF MADISON STANDARD SPECIFICATIONS FOR PUBLIC WORKS CONSTRUCTION

ALL PAVEMENT WITHIN THE WEST DOTY STREET RIGHT-OF-WAY SHALL BE TYPE C PAVEMENT.

ALL PAVEMENT WITHIN THE SOUTH BEDFORD STREET RIGHT-OF-WAY SHALL BE TYPE B PAVEMENT.

ALL GUTTERS SHALL DRAIN WITH A MINIMUM GRADES OF 0.5% TOWARD STORM SEWER INLETS.

THE CROSS SLOPE OF SIDEWALKS AND BARRIER FREE SIDEWALK CURB RAMPS SHALL BE 1.5%. THE LONGITUDINAL GRADE OF BARRIER FREE SIDEWALK CURB RAMPS SHALL NOT EXCEED 8.33%. ALL SIDEWALK RAMPS SHALL BE CONSTRUCTED ACCORDING TO S.D.D. 3.03. AT ALL OTHER LOCATIONS THE LONGITUDINAL GRADE OF SIDEWALKS SHALL NOT EXCEED 5.0 % OR THE ADJACENT STREET GRADE WHICHEVER IS GREATER NOR BE LESS THAN 0.5% AND SHALL DRAIN TOWARD STORM SEWER INLETS. SIDE SLOPES WITHIN TEN FEET OF A PUBLIC SIDEWALK SHALL NOT EXCEED 4.00:1. ALL SIDEWALK AND SIDEWALK RAMP ELEVATIONS AND GRADES SHALL BE FIELD VERIFIED AND SET TO COMPLY WITH THE CITY OF MADISON STANDARD SPECIFICATIONS AND THE A.D.A. GUIDELINES.

OBTAIN A PRINT OUT OF THE ALIGNMENT FROM THE CITY ENGINEER PRIOR TO STAKING THIS PROJECT.

CURB STATION AND OFFSETS SHALL BE TO THE FACE OF CURB UNLESS OTHERWISE INDICATED. CURB ELEVATIONS SHALL BE TO THE TOP OF CURB (OR EXTENDED TOP OF CURB FOR DRIVEWAYS OR RAMPS) UNLESS OTHERWISE INDICATED.

POWER POLES AND OTHER OBSTRUCTIONS SHALL BE MOVED TO PROVIDE 2 FEET MINIMUM OF CLEAR DISTANCE FROM ANY FACE OF CURB OR EDGE OF SIDEWALK.

ANY INFORMATION SHOWN ON THIS PLAN, WHICH IS NOT PART OF THIS PROJECT, IS PRELIMINARY AND NOT FOR CONSTRUCTION.

THERE MAY BE EXISTING UTILITIES OR OTHER FEATURES WHICH ARE EITHER NOT SHOWN OR SHOWN INCORRECTLY ON THIS PLAN. IT IS THE RESPONSIBILITY OF THE DEVELOPER TO LOCATE AND IDENTIFY ALL UTILITIES AND TOPOGRAPHY WHICH MAY AFFECT THE CONSTRUCTION OF THESE IMPROVEMENTS.

ALL PERMANENT SIGNING AND POSTING WILL BE DETERMINED AND PROVIDED BY THE TRAFFIC ENGINEERING DIVISION, FOLLOWING CONSTRUCTION OF THESE IMPROVEMENTS.

THE DEVELOPER SHALL PROVIDE, INSTALL AND MAINTAIN ALL STREET END BARRICADES, SIGNING AND TRAFFIC CONTROL, AS REQUIRED BY THE CITY TRAFFIC ENGINEER.

PAVEMENT SAWCUTS SHALL BE AS DIRECTED BY THE CITY CONSTRUCTION ENGINEER. SAWCUTS SHOWN ON THE PLAN ARE APPROXIMATE.

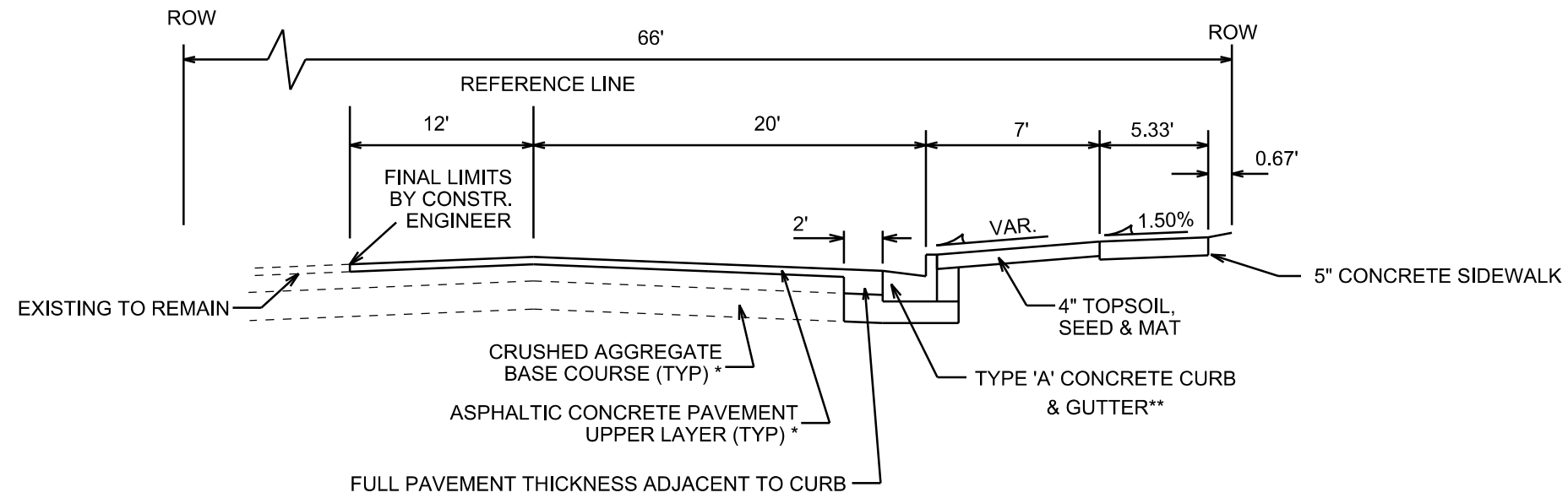
DAMAGE TO ANY EXISTING CURB, PAVEMENT, SIDEWALK, ETC. THAT IS TO REMAIN SHALL BE REPAIRED BY THE DEVELOPER/CONTRACTOR AS DIRECTED BY THE ENGINEER.

PLOT SCALE: \_\_\_\_\_

PLOT NAME: \_\_\_\_\_

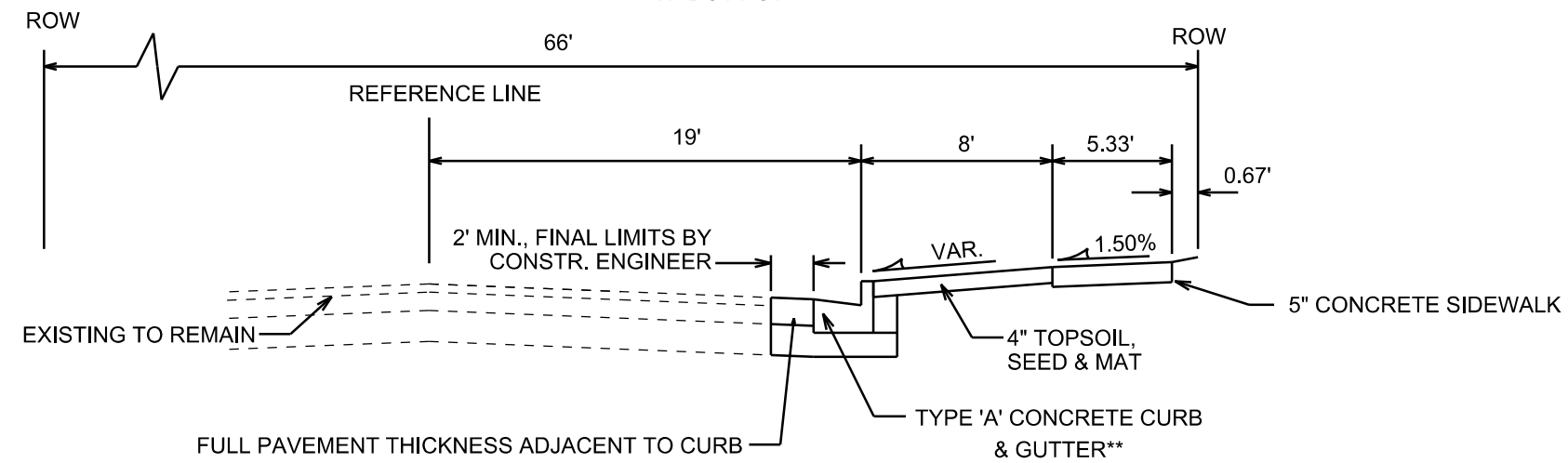
REV. DATE: \_\_\_\_\_

ORIGINATOR: CITY OF MADISON, STREETS DIVISION



**TYPICAL SECTION**

W. DOTY ST.



**TYPICAL SECTION**

S. BEDFORD ST.

NOTES:

TYPICAL SECTIONS NOT TO SCALE

\* WEST DOTY STREET IS TYPE 'C' PAVEMENT PER CITY OF MADISON MINIMUM PAVEMENT DESIGN. REPLACE PAVEMENT AS SHOWN ON THE PLANS.  
SOUTH BEDFORD STREET IS TYPE 'B' PAVEMENT PER CITY OF MADISON MINIMUM PAVEMENT DESIGN. REPLACE PAVEMENT AS SHOWN ON THE PLANS.

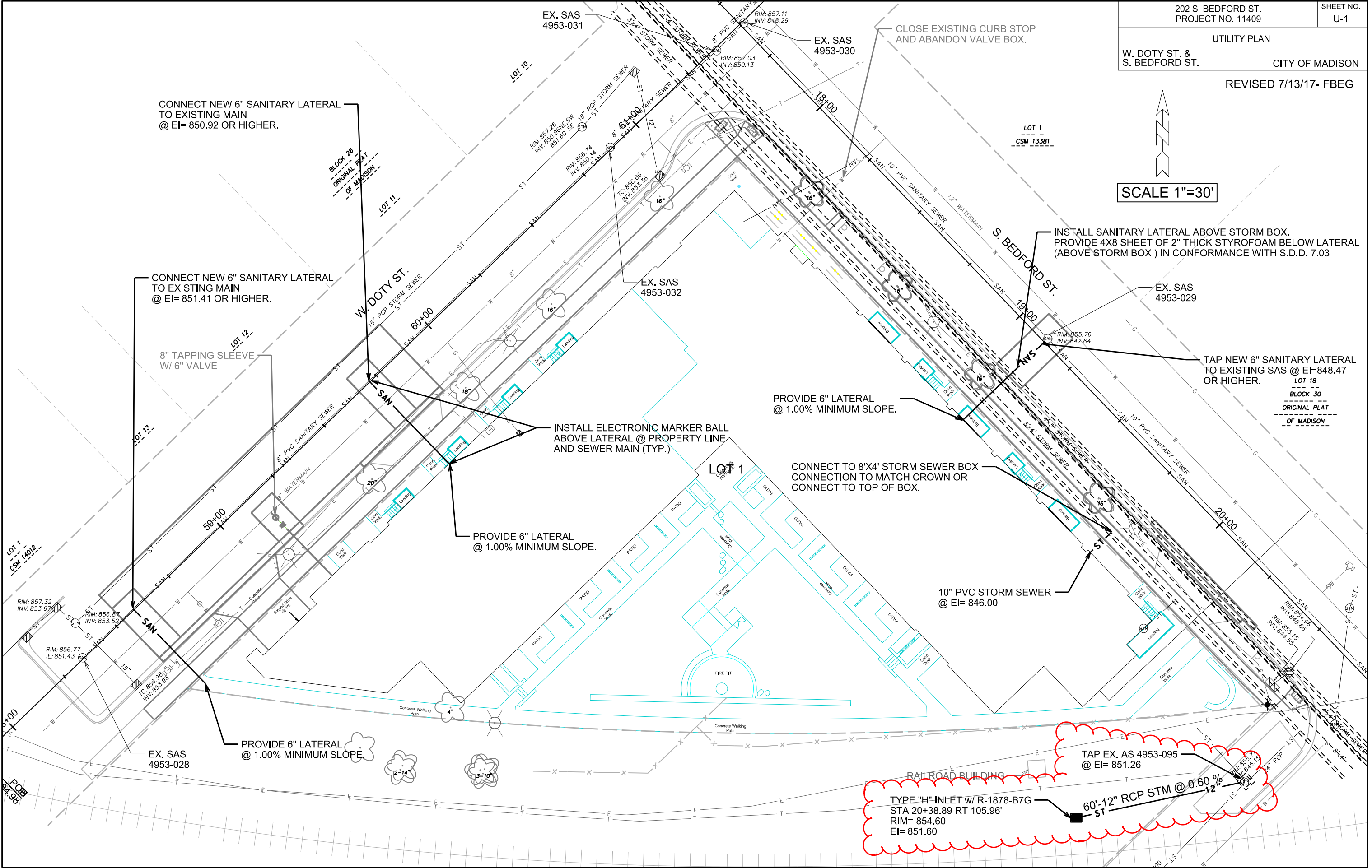
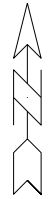
\*\* REPLACE CURB AS SHOWN ON THE PLANS.

CITY OF MADISON MINIMUM PAVEMENT DESIGN

TYPE	CRUSHED AGG. BASE COURSE		ASPHALTIC CONCRETE PAVEMENT			
	LOWER LAYER GRADATION 1	UPPER LAYER GRADATION 2	LOWER LAYER TYPE	LOWER LAYER THICKNESS	UPPER LAYER TYPE	UPPER LAYER THICKNESS
A	6"	4"	E-0.3	1.75"	E-0.3	1.75"
B	6"	4"	E-1	2.25"	E-1	2"
C	6"	4"	E-3	3.25"	E-3	2"



SCALE 1"=30'



PLOT SCALE:

PLOT NAME:

REV. DATE:

ORIGINATOR: CITY OF MADISON, STREETS DIVISION