

Anti-Graffiti Powder Coated - Ceiling Hung ELITE PLUS SERIES Metal Toilet Partitions

Material Specification

1 . 0 1 **Construction**

Doors, Panels and Pilasters shall be constructed of two sheets of panel flatness zinc-coated galvalume steel, ASTM A653 GR33, laminated under pressure to a honeycomb core for sound deadening and rigidity. Formed edges to be welded together and inter-locked under tension with a roll-formed oval crown locking bar, mitted, welded and ground smooth at the corners. Honeycomb to have a maximum 25mm (1") cell size.

1 . 0 2 **Doors**

Shall be 1829mm (72") high and 25mm (1") thick with cover sheets not less than 0.8mm (.030").

1 . 0 3 **Panels**

Shall be 1829mm (72") high and 25mm (1") thick with cover sheets not less than 0.8mm (.030").

1 . 0 4 **Pilasters**

Shall be 32mm (1.25") thick with cover sheets not less than 1.2mm (.048").

1 . 0 5 **Pilaster Fastening Method**

Pilasters shall be rigidly fastened to structural steel or pre-cast concrete supporting member (Note: wood support is not acceptable) by means of two heavy hanging studs permitting vertical adjustment between bottom of supporting member and finished ceiling line. Hadrian supplied ceiling studs MUST be used to create a secure installation. The bottoms of all pilasters shall be truly aligned, and the top connection shall be concealed by a 102mm (4") high, die-formed stainless steel pilaster shoe.

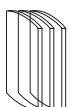
NOTE: The above specification does not include the supplying, installing, drilling or tapping of any of the structural members required in the ceiling for the support of these units. Only the studs are supplied for installation by others.

1 . 0 6 **Hardware & Fittings**

All panel-to-wall, panel-to-pilaster and pilaster-to-wall connections shall be made with full height continuous channels. Door hardware shall be chrome plated zinc die castings. Fasteners are zinc plated 12 x 1-3/4" and 12 x 5/8" TR-27 6-lobe security screws. Doors shall be equipped with gravity type hinges mounted on upper and lower pilaster hinge brackets. Door hinges shall be wrap-around style and adjustable to permit the door to come to rest at any position when not latched. Threaded upper hinge pin shall have a metal core and self lubricating nylon sleeve to ensure smooth, quiet operation. Each door to be fitted with a combined coat hook and bumper and a concealed latch, with face mortised flush with edge strip of door. A full length continuous stop and hinge side filler eliminate all sightline gaps between pilasters and doors.

1 . 0 7 **Finish**

All sheet metal to be thoroughly cleaned, phosphated and finished with a high performance poly-urethane anti-graffiti powder coating, electrostatically applied and oven cured to provide a uniform smooth protective finish. Color shall be #826 Kilim Beige, #833 Tricorn Black, #828 Dovetail, #829 Desert or another Hadrian approved solid custom color.



Hadrian Manufacturing Inc.,

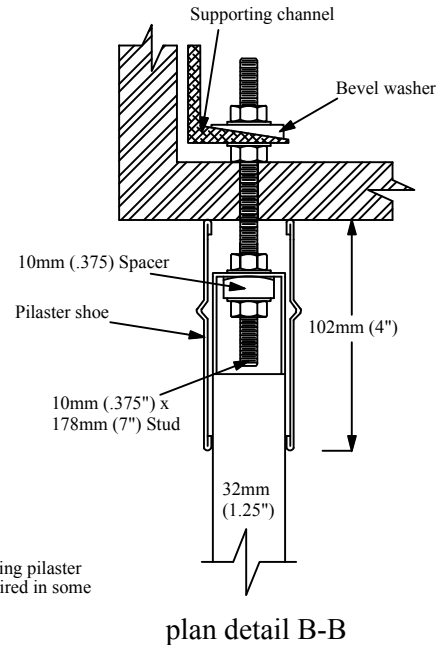
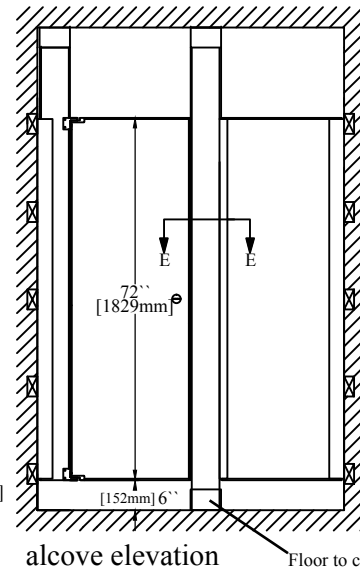
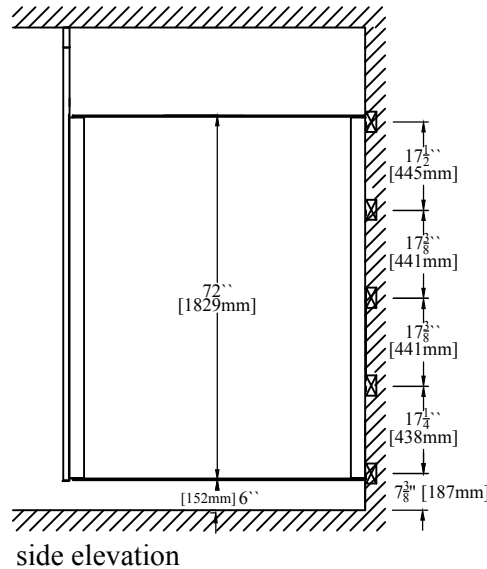
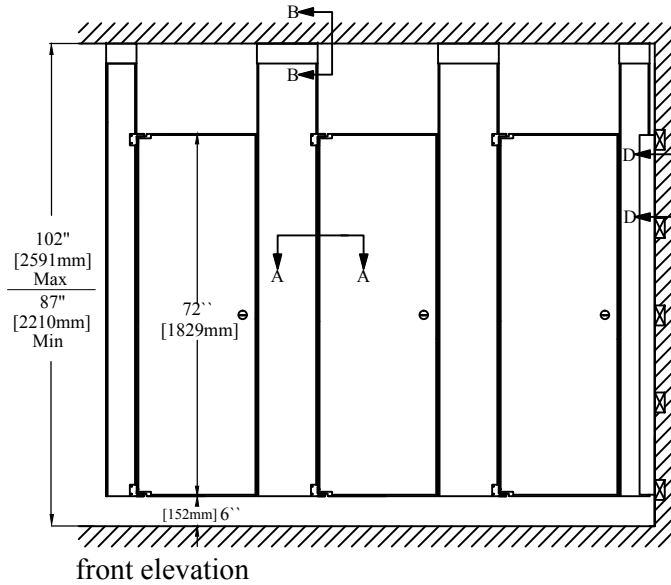
965 Syscon Road, Burlington, ON, Canada, L7L 5S3 • Tel: (905) 333-0300 • Fax: (905) 333-1841

Hadrian Inc.,

7420 Clover Avenue, Mentor, OH, U.S.A., 44060 • Tel: (440) 942-9118 • Fax: (440) 942-9618

www.hadrian-inc.com

hadrian[®] ELITE PLUS SERIES - Metal Toilet Partitions - Ceiling Hung - 6" AFF



Floor to ceiling pilaster may be required in some locations.

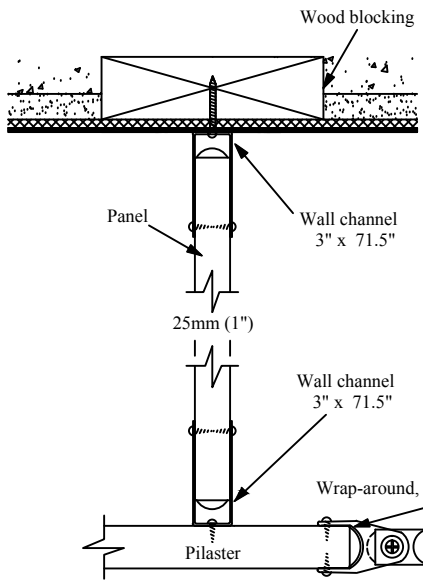
Important Notes:

Elite Plus ceiling hung projects may require floor to ceiling pilasters in some locations. Max ceiling height is 102" and 87" Min.

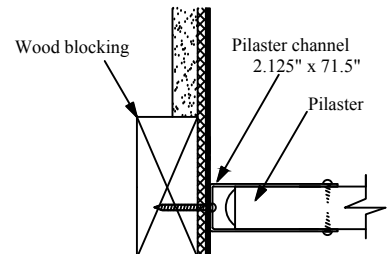
Structural steel or pre-cast concrete as support in ceiling. Structural support and drilling for studs by others. Studs available from Hadrian but installed by others.

Refer to final drawings for wood blocking information. Wood blocking is critical to ensure a rigid installation.

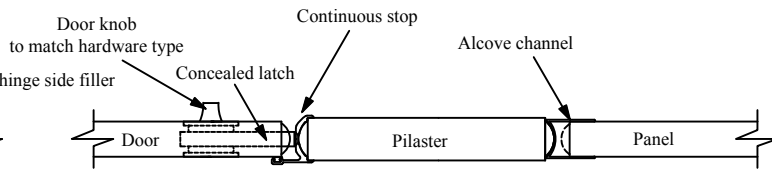
Hadrian supplied ceiling studs MUST be used to create a secure installation.



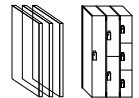
plan detail A-A



plan detail D-D



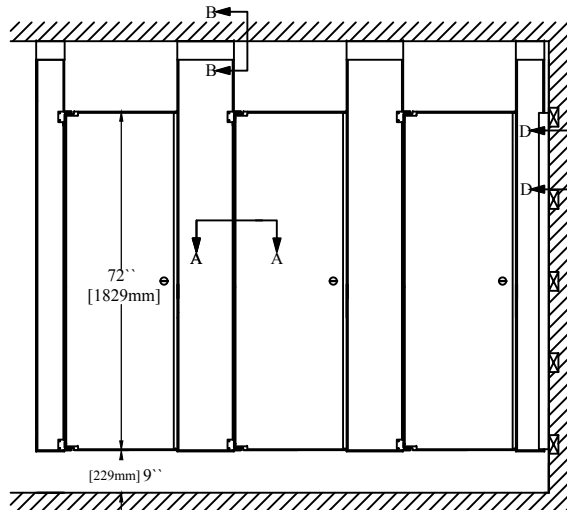
plan detail E-E



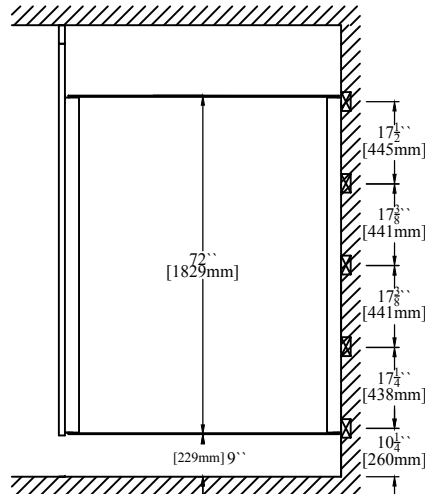
Hadrian Manufacturing Inc.
Hadrian Inc.,
www.hadrian-inc.com

965 Syscon Road, Burlington, ON, Canada, L7L 5S3 • Tel: (905) 333-0300 • Fax (905) 333-1841
7420 Clover Avenue, Mentor, OH, U.S.A., 44060 • Tel: (440) 942-9118 • Fax (440) 942-9618

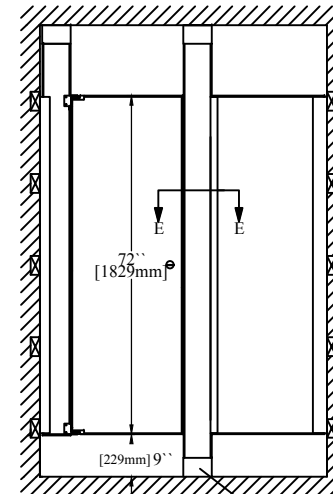
hadrian[®] ELITE PLUS SERIES - Metal Toilet Partitions - Ceiling Hung - 9" AFF



front elevation

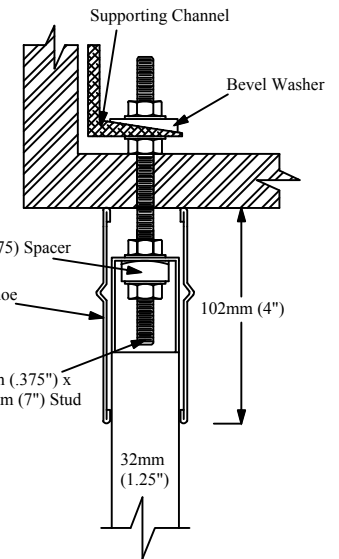


side elevation

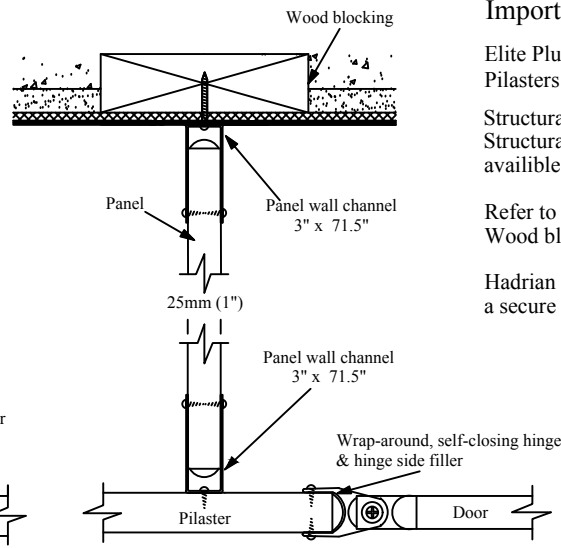


alcove elevation

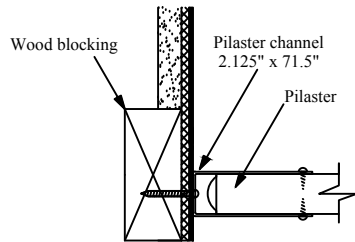
Floor to Ceiling pilaster may be required in some locations.



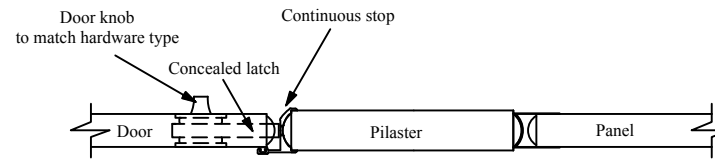
plan detail B-B



plan detail A-A



plan detail D-D



plan detail E-E

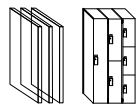
Important Notes:

Elite Plus Ceiling Hung projects may require Floor to Ceiling Pilasters in some locations. Max ceiling height is 105" and 90" Min.

Structural steel or pre-cast concrete as support in ceiling. Structural support and drilling for studs by others. Studs available from Hadrian but installed by others.

Refer to final drawings for wood blocking information. Wood blocking is critical to ensure a rigid installation.

Hadrian supplied ceiling studs MUST be used to create a secure installation.



Hadrian Manufacturing Inc.
Hadrian Inc.,
www.hadrian-inc.com

965 Syscon Road, Burlington, ON, Canada, L7L 5S3
7420 Clover Avenue, Mentor, OH, U.S.A., 44060

Tel: (905) 333-0300 · Fax (905) 333-1841
Tel: (440) 942-9118 · Fax (440) 942-9618