

# ONE Record HKG Pilot



## Pilot Description

- To create awareness and help the HKG air cargo community to get ready for IATA ONE Record. The pilot includes exchange of shipment status among **HK Airport / Airline / Cargo Terminal / Forwarder**.
- This project is jointly owned by HKIA, CX and GLSHK.

## Pilot Participants



## Pilot Project Tag Line

**"ONE Record – Hong Kong is getting ready"**

# ONE Record HKG Pilot



## Data Model

Airline Core Ontology

Shipper's  
Letter of Instruction

Cargo  
Distribution

CO2  
Emission

e-CMR

ULD  
Tracking

Interactive  
Cargo (IoT)

Dangerous  
Goods

Pharmaceutical

Customs  
(PLACI, ICS2)

Ground  
Handling

Live Animals

## API / Security

PUB/SUB

LO update

Access delegation

Security

Status update

Audit trail

Access restriction

Cascading status update  
- Pub/sub in multi-chain

Data integrity / non  
repudiation with RDF

SHACL shapes

IoT updates

Rich data

## Implementation roadmap

### High Level Timeline

Requirement/Design

2 Nov – 20 Dec 2020

Development

4 Jan – 19 Feb 2021

Testing

22 Feb – 12 Mar 2021

Pilot Test

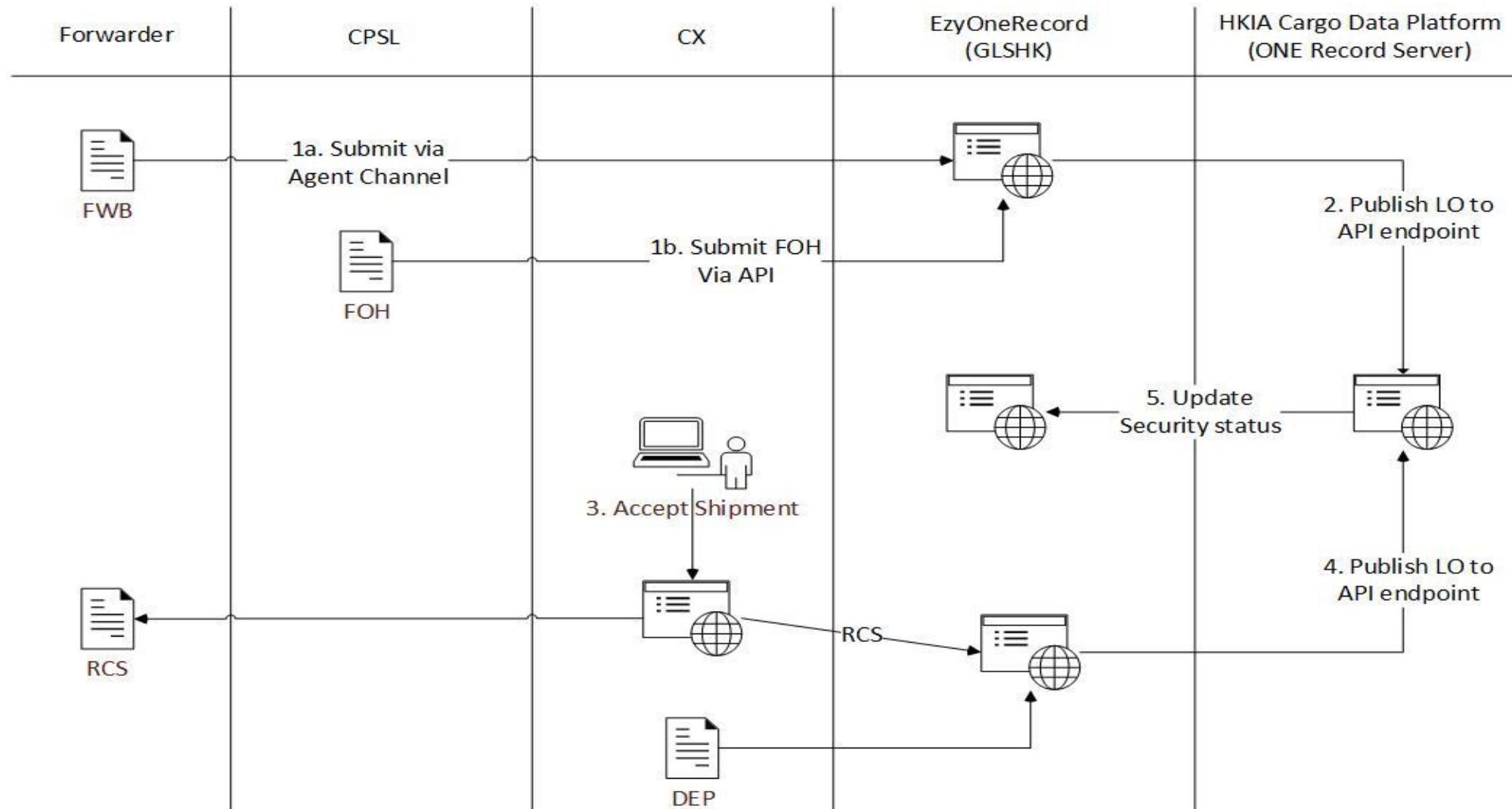
22 Mar – 26 Mar 2021

# ONE Record HKG Pilot



## Pilot Set Up / Architecture

### CX OneRecord Pilot workflow



# ONE Record HKG Pilot



## Pilot Set Up / Architecture

### CX OneRecord Sandbox Pub/Sub flow

