

NATIONAL GUARD PRODUCTS, INC.

PHONE: 800-647-7874
FAX: 800-255-7874

www.ngp.com

ORDER FORM FOR SSD OVER LITE KIT

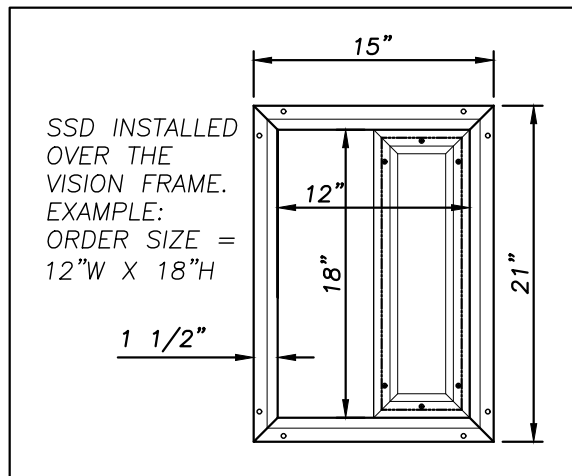
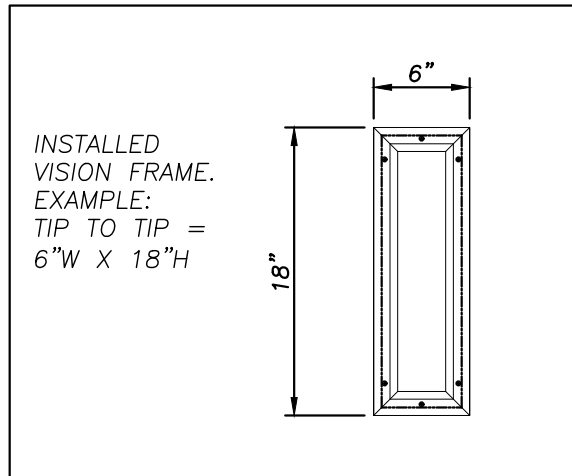
NOTE: VISION FRAME CAN NOT EXCEED 9/64" OFF DOOR

SSD OVER LITE KIT

STEP 1:
OUTSIDE WIDTH DIMENSION OF VISION FRAME X 2
EXAMPLE = 6" X 2 = 12"

STEP 2:
OUTSIDE HEIGHT DIMENSION OF VISION FRAME.
EXAMPLE = 18"

FRAME O.D. = ORDER SIZE PLUS 3-1/4"



COMPANY:	
PO#:	DATE:
JOB NAME:	
MODEL #:	FINISH:
SIGNATURE:	

SSD ORDER SIZE:

____ "W X ____ "H

ORDER WORK SHEET

____ "WIDTH X 2 = ____ "

____ "HEIGHT = ____ "