



WS-Calendar Minimal PIM-Conformant Schema Version 1.0

Committee Specification 01

26 September 2016

Specification URIs

This version:

<http://docs.oasis-open.org/ws-calendar/ws-calendar-min/v1.0/cs01/ws-calendar-min-v1.0-cs01.pdf> (Authoritative)
<http://docs.oasis-open.org/ws-calendar/ws-calendar-min/v1.0/cs01/ws-calendar-min-v1.0-cs01.html>
<http://docs.oasis-open.org/ws-calendar/ws-calendar-min/v1.0/cs01/ws-calendar-min-v1.0-cs01.docx>

Previous version:

<http://docs.oasis-open.org/ws-calendar/ws-calendar-min/v1.0/csprd01/ws-calendar-min-v1.0-csprd01.pdf> (Authoritative)
<http://docs.oasis-open.org/ws-calendar/ws-calendar-min/v1.0/csprd01/ws-calendar-min-v1.0-csprd01.html>
<http://docs.oasis-open.org/ws-calendar/ws-calendar-min/v1.0/csprd01/ws-calendar-min-v1.0-csprd01.docx>

Latest version:

<http://docs.oasis-open.org/ws-calendar/ws-calendar-min/v1.0/ws-calendar-min-v1.0.pdf> (Authoritative)
<http://docs.oasis-open.org/ws-calendar/ws-calendar-min/v1.0/ws-calendar-min-v1.0.html>
<http://docs.oasis-open.org/ws-calendar/ws-calendar-min/v1.0/ws-calendar-min-v1.0.docx>

Technical Committee:

OASIS Web Services Calendar (WS-Calendar) TC

Chair:

Toby Considine (toby.considine@unc.edu), University of North Carolina

Editors:

Toby Considine (toby.considine@unc.edu), University of North Carolina
William T. Cox ([wtcox@coxsoftwarearchitects.com](mailto:wtcoc@coxsoftwarearchitects.com)), Individual Member

Additional artifacts:

This prose specification is one component of a Work Product that also includes:

- XML schema: <http://docs.oasis-open.org/ws-calendar/ws-calendar-min/v1.0/cs01/schema/ws-calendar-min-v1.0.xsd>

Related work:

This specification is related to:

- *WS-Calendar Platform Independent Model (PIM) Version 1.0*. Edited by W.T. Cox and Toby Considine. Latest version: <http://docs.oasis-open.org/ws-calendar/ws-calendar-pim/v1.0/ws-calendar-pim-v1.0.html>.
- *WS-Calendar Version 1.0*. Edited by Toby Considine and Mike Douglass. Latest version: <http://docs.oasis-open.org/ws-calendar/ws-calendar/v1.0/ws-calendar-1.0-spec.html>.

Declared XML namespace:

- <http://docs.oasis-open.org/ws-calendar/ns/min-xcal/2015/12>

Abstract:

The WS-Calendar MIN is a WS-Calendar conformant schema optimized for use in machine-to-machine (M2M) schedule negotiations.

iCalendar (RFC5545) and its peer specification XCAL (also in WS-Calendar 1.0) is a well-known and long used means to convey schedule-related information. iCalendar makes extensive use of extension and recursion. The WS-Calendar Platform Independent Model (PIM) constrains iCalendar and defines a simpler information model which shares iCalendar semantics and can be used to create as the common basis for any number of Platform Specific Models (PSMs).

Because an information model is abstract, it can apply to many transmission and serialization schemas. The PIM itself does not include a transmission and serialization schemas. Through transitive conformance such PSMs themselves conform to WS-Calendar.

The Minimal PIM-Conformant (MIN) schema defines an XML Schema that conforms with the PIM. MIN can be used by itself or as a seed-schema for other specifications.

Status:

This document was last revised or approved by the OASIS Web Services Calendar (WS-Calendar) TC on the above date. The level of approval is also listed above. Check the "Latest version" location noted above for possible later revisions of this document. Any other numbered Versions and other technical work produced by the Technical Committee (TC) are listed at https://www.oasis-open.org/committees/tc_home.php?wg_abbrev=ws-calendar#technical.

TC members should send comments on this specification to the TC's email list. Others should send comments to the TC's public comment list, after subscribing to it by following the instructions at the "Send A Comment" button on the TC's web page at <https://www.oasis-open.org/committees/ws-calendar/>.

For information on whether any patents have been disclosed that may be essential to implementing this specification, and any offers of patent licensing terms, please refer to the Intellectual Property Rights section of the TC's web page (<https://www.oasis-open.org/committees/ws-calendar/ipr.php>).

Citation format:

When referencing this specification the following citation format should be used:

[WS-Calendar-Min-v1.0]

WS-Calendar Minimal PIM-Conformant Schema Version 1.0. Edited by Toby Considine and William T. Cox. 26 September 2016. OASIS Committee Specification 01. <http://docs.oasis-open.org/ws-calendar/ws-calendar-min/v1.0/cs01/ws-calendar-min-v1.0-cs01.html>. Latest version: <http://docs.oasis-open.org/ws-calendar/ws-calendar-min/v1.0/ws-calendar-min-v1.0.html>.

Notices

Copyright © OASIS Open 2016. All Rights Reserved.

All capitalized terms in the following text have the meanings assigned to them in the OASIS Intellectual Property Rights Policy (the "OASIS IPR Policy"). The full [Policy](#) may be found at the OASIS website.

This document and translations of it may be copied and furnished to others, and derivative works that comment on or otherwise explain it or assist in its implementation may be prepared, copied, published, and distributed, in whole or in part, without restriction of any kind, provided that the above copyright notice and this section are included on all such copies and derivative works. However, this document itself may not be modified in any way, including by removing the copyright notice or references to OASIS, except as needed for the purpose of developing any document or deliverable produced by an OASIS Technical Committee (in which case the rules applicable to copyrights, as set forth in the OASIS IPR Policy, must be followed) or as required to translate it into languages other than English.

The limited permissions granted above are perpetual and will not be revoked by OASIS or its successors or assigns.

This document and the information contained herein is provided on an "AS IS" basis and OASIS DISCLAIMS ALL WARRANTIES, EXPRESS OR IMPLIED, INCLUDING BUT NOT LIMITED TO ANY WARRANTY THAT THE USE OF THE INFORMATION HEREIN WILL NOT INFRINGE ANY OWNERSHIP RIGHTS OR ANY IMPLIED WARRANTIES OF MERCHANTABILITY OR FITNESS FOR A PARTICULAR PURPOSE.

OASIS requests that any OASIS Party or any other party that believes it has patent claims that would necessarily be infringed by implementations of this OASIS Committee Specification or OASIS Standard, to notify OASIS TC Administrator and provide an indication of its willingness to grant patent licenses to such patent claims in a manner consistent with the IPR Mode of the OASIS Technical Committee that produced this specification.

OASIS invites any party to contact the OASIS TC Administrator if it is aware of a claim of ownership of any patent claims that would necessarily be infringed by implementations of this specification by a patent holder that is not willing to provide a license to such patent claims in a manner consistent with the IPR Mode of the OASIS Technical Committee that produced this specification. OASIS may include such claims on its website, but disclaims any obligation to do so.

OASIS takes no position regarding the validity or scope of any intellectual property or other rights that might be claimed to pertain to the implementation or use of the technology described in this document or the extent to which any license under such rights might or might not be available; neither does it represent that it has made any effort to identify any such rights. Information on OASIS' procedures with respect to rights in any document or deliverable produced by an OASIS Technical Committee can be found on the OASIS website. Copies of claims of rights made available for publication and any assurances of licenses to be made available, or the result of an attempt made to obtain a general license or permission for the use of such proprietary rights by implementers or users of this OASIS Committee Specification or OASIS Standard, can be obtained from the OASIS TC Administrator. OASIS makes no representation that any information or list of intellectual property rights will at any time be complete, or that any claims in such list are, in fact, Essential Claims.

The name "OASIS" is a trademark of [OASIS](#), the owner and developer of this specification, and should be used only to refer to the organization and its official outputs. OASIS welcomes reference to, and implementation and use of, specifications, while reserving the right to enforce its marks against misleading uses. Please see <https://www.oasis-open.org/policies-guidelines/trademark> for above guidance.

Table of Contents

1	Introduction	7
1.1	Terminology	7
1.2	Normative References	7
1.3	Non-Normative References	8
1.4	Namespace.....	8
1.5	Naming Conventions	8
1.6	Editing Conventions.....	9
2	Specification Based on WS-Calendar PIM.....	10
2.1	When: Start, End and Duration.....	10
2.1.1	Semantics of Inheritance.....	10
3	Core Components: Intervals, Sequences, and Gluons	11
3.1	Intervals	11
3.2	Temporal Links and Sequences	11
3.2.1	Temporal Links.....	12
3.2.2	Sequences.....	12
3.3	The Gluon	12
4	Service Advertising and Request: Recurrence and Availability	15
4.1	Recurrence Rules	15
4.2	Recurrence	15
4.3	Availability and VAvailability	16
4.3.1	Availability.....	17
4.3.2	VAvailability	18
5	Conformance	19
5.1	Conformance to WS-Calendar MIN.....	19
5.2	Detailed Conformance with the WS-Calendar-PIM	19
6	Conformance Statement for WS-Calendar MIN.....	20
	Appendix A. Acknowledgments	21
	Appendix B. Revision History.....	22

Table of Figures

Figure 3-1 The Interval.....	11
Figure 3-2: The Temporal Link.....	12
Figure 3-3: The Gluon	13
Figure 4-1: The Recurrence Rule	15
Figure 4-2: Recurrence	16
Figure 4-3: Availability.....	17
Figure 4-4: VAvailability Type	18

Table of Tables

Table 1-1: Namespaces Used in this Specification	8
Table 5-1: PIM-related Conformance Requirements on applications and specifications claiming conformance to this specification	19
Table 6-1 Conformance of this specification to WS-Calendar PIM.....	20

1 Introduction

[All text is normative unless otherwise labeled]

This specification addresses the need for a tightly conformable seed specification for use of **[WS-Calendar]**-compatible in rapid-processing and light-weight environments. This specifications conforms with the WS-Calendar Platform Independent Model **[WS-Calendar PIM]** and thereby transitively conforms with **[WS-Calendar]**.

iCalendar (RFC5545) and its peer specification XCAL (also in WS-Calendar 1.0) is a well-known and long used means to convey schedule-related information. iCalendar makes extensive use of extension and recursion. The WS-Calendar Platform Independent Model (PIM) constrains iCalendar and defines a simpler information model which shares iCalendar semantics and can be used to create as the common basis for any number of Platform Specific Models (PSMs).

A key concern for the original **[WS-Calendar]** was direct compatibility with xCal, the XML Format for iCalendar defined in **[RFC6321]**. While this format is flexible, it can offer too much optionality to be easily analyzed. To this end, the TC developed a Platform Independent Model **[WS-Calendar PIM]** which supports all the functions and messages from **[WS-Calendar]**, while defining only specific extensions and limiting recursion. This approach redefined WS-Calendar as what Model Driven Architecture calls a Platform Specific Model (PSM) which conforms to **[WS-Calendar PIM]**

[WS-Calendar PIM] is a general specification and makes no assumptions about how its information model is used. **[WS-Calendar PIM]** has specific rules which define Inheritance as a means to reduce the conveyance of repetitive information. As this specification anticipates schedule communications to specific business interactions, these inheritance rules are extended to embrace rules of interaction and rules of process that further reduce the information that must be expressed within each interval.

The **[WS-Calendar PIM]** itself does not include a transmission and serialization schemas, i.e. it is an information model that does not define a normative structure for the information conveyed. Because an information model is abstract, it can apply to many transmission and serialization schemas.

High speed transaction processing requires more predictable means to convey structured information concerning time-based events, states, and transactions. Even valid and conformant conveyances of **[WS-Calendar]** information may fail to meet the requirements for basic interoperability requirements **[WSI-Basic]**.

This specification defines a normative structure for conveying time series of information that is conformant with **[WS-Calendar PIM]**. It is the intent of the TC meet the requirements of **[WSI-Basic]**. The Minimal PIM-Conformant **[MIN]** specification defines an XML Schema that conforms just with the PIM. **[MIN]** can be used by itself or as a seed-schema for other specifications,

1.1 Terminology

The key words “MUST”, “MUST NOT”, “REQUIRED”, “SHALL”, “SHALL NOT”, “SHOULD”, “SHOULD NOT”, “RECOMMENDED”, “MAY”, and “OPTIONAL” in this document are to be interpreted as described in **[RFC2119]**.

1.2 Normative References

- [ISO8601]** ISO (International Organization for Standardization). *Representations of dates and times, third edition*, December 2004, (ISO 8601:2004)
- RFC2119** S. Bradner, *Key words for use in RFCs to Indicate Requirement Levels*, <http://www.ietf.org/rfc/rfc2119.txt>, IETF RFC 2119, March 1997.
- [RFC5545]** B. Desruisseaux *Internet Calendaring and Scheduling Core Object Specification (iCalendar)*, <http://www.ietf.org/rfc/rfc5545.txt>, IETF RFC5545, proposed standard, September 2009
- [RFC6321]** C. Daboo, M Douglass, S Lees *xCal: The XML format for iCalendar*, <http://tools.ietf.org/html/rfc6321>, IETF Proposed Standard, August 2011.

- 48 [vAvailability] C. Daboo, M. Douglas: **Calendar Availability**, <https://tools.ietf.org/html/rfc7953>
 49 Proposed Standard, August 2016.
- 50 [WS-Calendar PIM] *WS-Calendar Platform Independent Model (PIM) Version 1.0*. Edited by William
 51 Cox and Toby Considine. 21 August 2015. OASIS Committee Specification 02.
 52 [http://docs.oasis-open.org/ws-calendar/ws-calendar-pim/v1.0/cs02/ws-calendar-](http://docs.oasis-open.org/ws-calendar/ws-calendar-pim/v1.0/cs02/ws-calendar-pim-v1.0-cs02.html)
 53 [pim-v1.0-cs02.html](http://docs.oasis-open.org/ws-calendar/ws-calendar-pim/v1.0/cs02/ws-calendar-pim-v1.0-cs02.html). Latest version: [http://docs.oasis-open.org/ws-calendar/ws-](http://docs.oasis-open.org/ws-calendar/ws-calendar-pim/v1.0/ws-calendar-pim-v1.0.html)
 54 [calendar-pim/v1.0/ws-calendar-pim-v1.0.html](http://docs.oasis-open.org/ws-calendar/ws-calendar-pim/v1.0/ws-calendar-pim-v1.0.html)
- 55 [XML NAMES] T Bray, D Hollander, A Layman, R Tobin, HS Thompson “Namespaces in XML
 56 1.0 (Third Edition)” <http://www.w3.org/TR/xml-names/> W3C Recommendation,
 57 December 2009
- 58 [XML SCHEMA] PV Biron, A Malhotra, XML Schema Part 2: Datatypes Second Edition,
 59 <http://www.w3.org/TR/xmlschema-2/> October 2004.

60 1.3 Non-Normative References

- 61 [SOA-RM] SOA-RM OASIS Standard, *OASIS Reference Model for Service Oriented*
 62 *Architecture 1.0*, October 2006 [http://docs.oasis-open.org/soa-rm/v1.0/soa-](http://docs.oasis-open.org/soa-rm/v1.0/soa-rm.pdf)
 63 [rm.pdf](http://docs.oasis-open.org/soa-rm/v1.0/soa-rm.pdf)
- 64 [WSI-BASIC] R Chumbley, J Durand, G Pilz, T Rutt , *Basic Profile Version 2.0*,
 65 <http://ws-i.org/profiles/BasicProfile-2.0-2010-11-09.html>,
 66 The Web Services-Interoperability Organization, November 2010
- 67 **WS-Calendar** **WS-Calendar Version 1.0. Edited by** Toby Considine and Mike Douglas. 30
 68 July 2011. OASIS Committee Specification 01. [http://docs.oasis-open.org/ws-](http://docs.oasis-open.org/ws-calendar/ws-calendar/v1.0/ws-calendar-1.0-spec.pdf)
 69 [calendar/ws-calendar/v1.0/ws-calendar-1.0-spec.pdf](http://docs.oasis-open.org/ws-calendar/ws-calendar/v1.0/ws-calendar-1.0-spec.pdf)

70 1.4 Namespace

71 The XML namespace [XML-ns] URI that MUST be used by implementations of this specification is:

72 `http://docs.oasis-open.org/ws-calendar/ns/min-xcal/2015/12`

73 Dereferencing the above URI will produce the HTML document that describes this namespace.

74 Table 1 lists the XML namespaces that are used in this specification. The choice of any namespace prefix
 75 is arbitrary and not semantically significant.

76 *Table 1-1: Namespaces Used in this Specification*

Prefix	Namespace
xs	http://www.w3.org/2001/XMLSchema
min	http://docs.oasis-open.org/ws-calendar/ns/min-xcal/2015/12

77 The normative schemas for WS-Calendar MIN can be found linked from the namespace document that is
 78 located at the namespace URI specified above.

79 1.5 Naming Conventions

80 This specification follows some naming conventions for artifacts defined by the specification, as follows:

81 For the names of elements and the names of attributes within XSD files, the names follow the
 82 lowerCamelCase convention, with all names starting with a lower case letter. For example,

83 `<element name="componentType" type="ComponentType"/>`

84 For the names of types within XSD files, the names follow the UpperCamelCase convention with all
 85 names starting with a lower case letter prefixed by “type-“. For example,

86 `<complexType name="ComponentType">`

87 For the names of intents, the names follow the lowerCamelCase convention, with all names starting with
88 a lower case letter, EXCEPT for cases where the intent represents an established acronym, in which
89 case the entire name is in upper case.

90 **1.6 Editing Conventions**

91 For readability, element names in tables appear as separate words. The actual names are
92 lowerCamelCase, as specified above, and as they appear in the XML schemas.

93 All elements in the tables not marked as “optional” are mandatory.

94 Information in the “Specification” column of the tables is normative. Information appearing in the note
95 column is explanatory and non-normative.

96 All sections explicitly noted as examples are informational and are not to be considered normative.

97

98 2 Specification Based on WS-Calendar PIM

99 Without an understanding of certain terms and conventions based in **[WS-Calendar PIM]**, the reader may
100 have difficulty achieving complete understanding of their use in this standard. **[WS-Calendar PIM]**
101 defines a Platform Independent Model and re-defined **[WS-Calendar]** as a semantically richer and more
102 variable conformant Platform Specific Model (PSM).

103 Because this specification is a PSM conformant with **[WS-Calendar PIM]**, it transitively conforms to **[WS-**
104 **Calendar]**.

105 In particular, the reader should understand the logic of time specification and the language of inheritance
106 as described in **[WS-Calendar PIM]**.

107 2.1 When: Start, End and Duration

108 Any interval can be fully defined by two out of these three elements: when it begins, how long it lasts, and
109 when it ends. With any two, you can compute the third.

110 This specification assigns predominance to how long an Interval lasts, the Duration. This approach is
111 commonly used to request human scheduling, i.e., “Find a time when the three of us can meet for an
112 hour.” Activities are then normally scheduled by Start Time, again to reflect human usage: “We will meet
113 for lunch at Noon”. This specification is service oriented in that it requires no assumptions how a schedule
114 is made, or whether tow systems use the same processes; it merely defines messages that enable
115 systems to negotiate and agree to the Duration and Start Time for an event.

116 An application or specification MAY choose to specify the Duration and the End of an event, if this is
117 simpler for its domain. Such a specification MUST make this expectation clear, as allowing a mix of Start
118 and End based requests makes programming and conformance more difficult. For simplicity, in this
119 document, all scheduling is described refining an Interval with a Duration and adding a Start.

120 A service request MAY specify both. For example, a Sequence MAY be advertised with no fixed duration,
121 and a service request MAY specify both the Duration and the Start.

122 The use of the Start and the End without a definition is discouraged because it reduces flexibility while
123 increasing required computation.

124 The complete normative discussion of these issues can be found in **[WS-Calendar PIM]**.

125 2.1.1 Semantics of Inheritance

126 **[WS-Calendar PIM]** enables parsimony and artifact reuse through defined rules of inheritance. At its
127 simplest, a Sequence can be relocated or replicated from one day to another, each time inheriting the
128 start date, without being re-crafted. Similarly a start time for a single interval can affect the start times of
129 the other Intervals in the Sequence. Depending upon Inheritance, an Interval may become Fully Bound,
130 i.e., defined sufficiently for execution.

131 The terms Inherit, Inheritance, and Bequeath are as defined within **[WS-Calendar PIM]**.

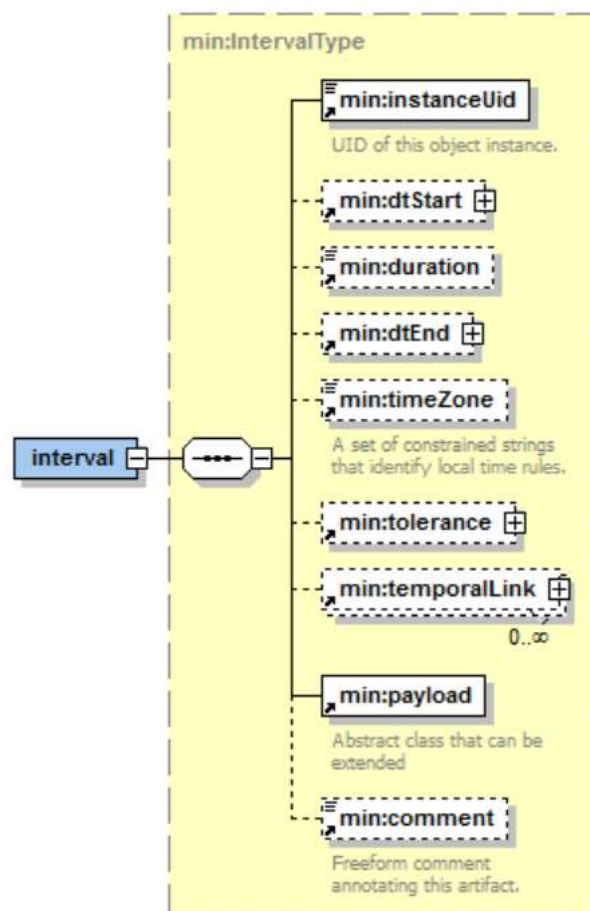
132 3 Core Components: Intervals, Sequences, and 133 Gluons

134 The types in this section are each defined in [WS-Calendar PIM]. As the PIM is an information model
135 rather than a message format, they are restated here and in the associated schema.

136 3.1 Intervals

137 The Interval is the core artifact of calendar and schedule. It conveys when something happens and for
138 how long.

139



140

141 *Figure 3-1 The Interval*

142 Everything in the information model for the Interval (above) is calendar related except for the payload.
143 The payload is an abstract type to be extended by specifications using this specification. Specifications
144 incorporating this specification SHALL define how inheritance applies to the Payload

145 3.2 Temporal Links and Sequences

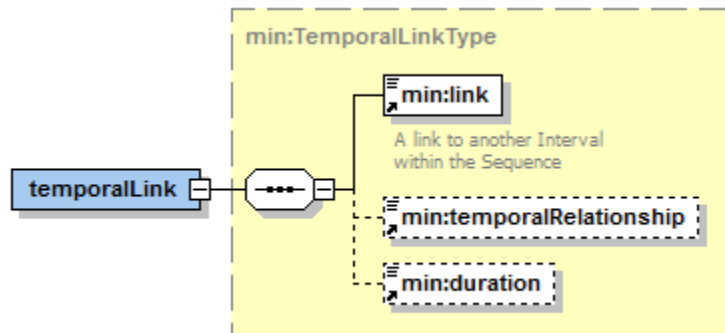
146 Temporal Links convey the relations between Intervals in a Sequence.

147 Each Interval can be considered as a distinct activity for a period of time. A Sequence is a set of such
148 activities. These activities may follow one after another. There may be mandatory gaps, as in paint drying

149 for at least six hours before the next step. It may be a requirement that two Intervals finish at the same
 150 time.
 151 If a Sequence describes a ramp-time of activities prior to the Inherited dtStart, then the ramp activities
 152 must complete prior to the start time. Similarly, a system MAY need to ramp down at the end of a
 153 requested Duration of activity.
 154 There is a special case of Sequence in which all Intervals proceed linearly without pause, and all Intervals
 155 share a common Duration. A Sequence of this Type is referred to as a Partition.

156 3.2.1 Temporal Links

157 Temporal Links are so named because they convey how Intervals are related in Time. A Temporal Link
 158 consists of a reference to an Interval, a type of Temporal Relationship, and the Duration of the
 159 Relationship.



160
 161 *Figure 3-2: The Temporal Link*

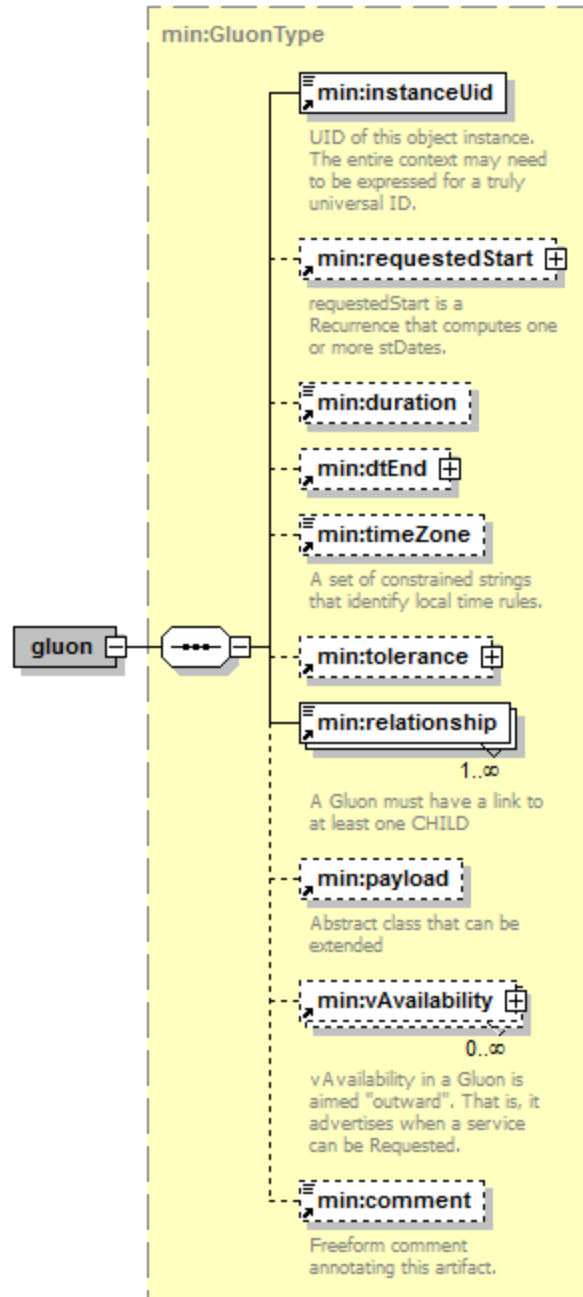
162 As defined in the PIM, there are four types of Temporal Relationship. Temporal Relationships combine
 163 with the Duration to describe a sequence; a Sequence is a set of temporally linked Intervals. A missing or
 164 empty Duration is considered a zero length Duration.
 165 If a specification that claims conformance this specification permits a missing Temporal Relationship, then
 166 that specification MUST state which Temporal Relationship is implied. A conforming specification MAY
 167 disallow a missing Temporal Relationship.

168 3.2.2 Sequences

169 Sequences are collections of Intervals connected by Temporal Relationships. There is no Sequence
 170 structure per-se. A Sequence is referenced by referencing the InstanceUID of one Interval in the
 171 Sequence. That Interval is referred to as the Designated Interval. The Designated Interval has special
 172 rules for Inheritance. For example, when a Gluon Bequeaths a dtStart to a Sequence, is it the Designated
 173 Interval that starts at that time.
 174 Inheritance within a Sequence is specified in [WS-Calendar PIM].

175 3.3 The Gluon

176 The Gluon links a Sequence to a service interaction. The Gluon can be considered a degenerate Interval
 177 that cannot itself be executed. It does, however provide missing information to Fully Bind each Interval in
 178 the Sequence.
 179 Another perspective describes the Gluon as the service entry point for an activity defined by a Sequence.
 180 Sequence execution is launched by providing a DtStart though a Gluon. A service request acting as a
 181 Gluon bequeaths missing information that is inherited by the entry point Gluon to bind the Sequence.
 182 The Gluon Type is shown in *Figure 3-3: The Gluon*.



183

184 *Figure 3-3: The Gluon*

185 Notice that the Gluon is nearly identical to the Interval. A Requested Start replaces the dtStart. Requested
 186 Start is of type Recurrence. Recurrence describes how to compute a collection of dtStarts. Recurrence is
 187 discussed in below in Section 4.

188 The significant difference between Gluon and Interval are as follows:

- 189 1) The Gluon has no Temporal Links. It cannot be part of a Sequence, so it maintains no Temporal
 190 Relations with other Components.
- 191 2) A Gluon must have at least one Relationship, and it can have many. The Relationship connects a
 192 Gluon to a Sequence, to establish Inheritance. A Relationship MAY connect a Gluon to another
 193 Gluon, establishing a Lineage that eventually binds a Sequence.
- 194 3) A Gluon may convey multiple dtStart values. This collection is computed in RequestedStart,
 195 which is of type Recurrence. A recurrence is a structure to convey or compute a collection of

196 starting dates and times. These act as if there were multiple Gluons, each conveying a single
197 dtStart.
198 4) vAvaialbility. VAvailability is an outward looking element that conveys information about potential
199 schedules for the underlying Sequence.

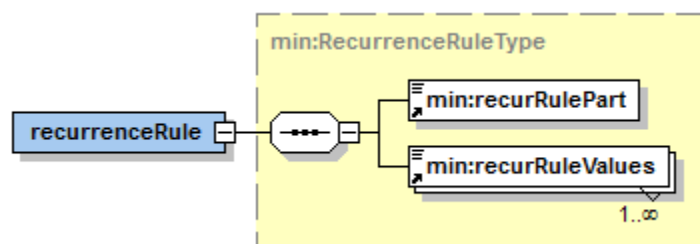
200 4 Service Advertising and Request: Recurrence and 201 Availability

202 The Interval and Gluons defined in Section 3 define specific instances of date and time. This section
203 introduces Recurrence and related types that enable patterns of dates and schedules to be computed.
204 When a specific term is not defined within this specification, it is as defined in [WS-Calendar PIM].

205 There may be good reasons for a specification that claims conformance with this specification to forbid e
206 Recurrence. Requiring each service invocation to require its own message that acts as a Gluon MAY
207 simplify the system. A conforming specification MUST state of the use of these components is forbidden.

208 4.1 Recurrence Rules

209 Recurrence Rules are used in both Recurrence and in Availability to compute patterns of schedules and
210 dates. Each Rule consists of a Rule Part, which names a type of Rule, and Rule Values, constrained lists
211 which operate within the Rule Part.

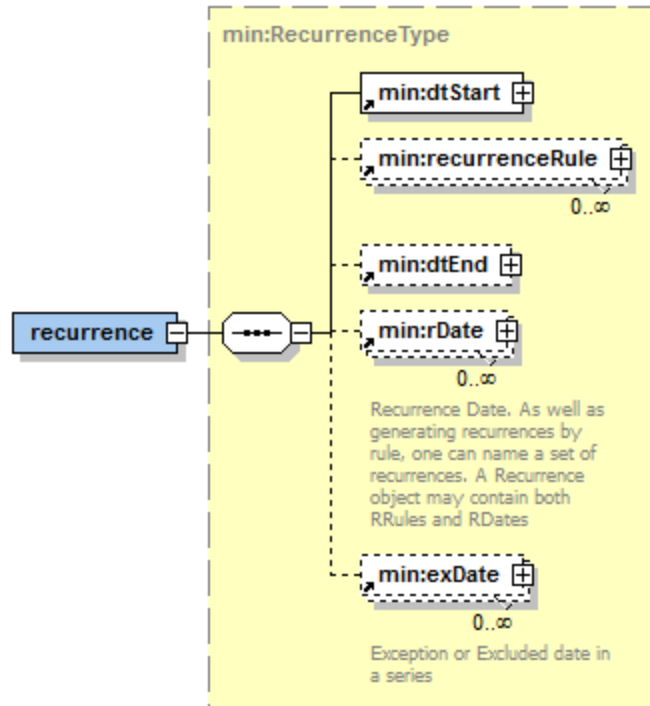


212
213 *Figure 4-1: The Recurrence Rule*

214 Representative recurRuleParts indicate that a Rule is hourly, or at a fixed frequency, or on certain days of
215 the month. Rule Values are constrained depending on the RulePart, to indicate days of the week, every
216 three hours, and so on. Recurrence Rules are normatively described in [RFC5545] section 3.3.10. Many
217 web-sites and open source libraries discuss these rules; no efforts will be made in this specification to re-
218 state these rules.

219 4.2 Recurrence

220 Recurrence is conveys a mechanism to compute a collection of starting date-times. At its simplest, it is a
221 dtStart, just as in the Interval. Recurrence Rules then describe how to compute additional starting dates
222 and times using the dtStart as a seed. rDates add additional starting dates to the collection. xDates then
223 block out dates, that is, remove specific date-times from the collection.



224

225 *Figure 4-2: Recurrence*

226 The Requested Start in the Gluon is of type Recurrence.

227 **4.3 Availability and VAvailability**

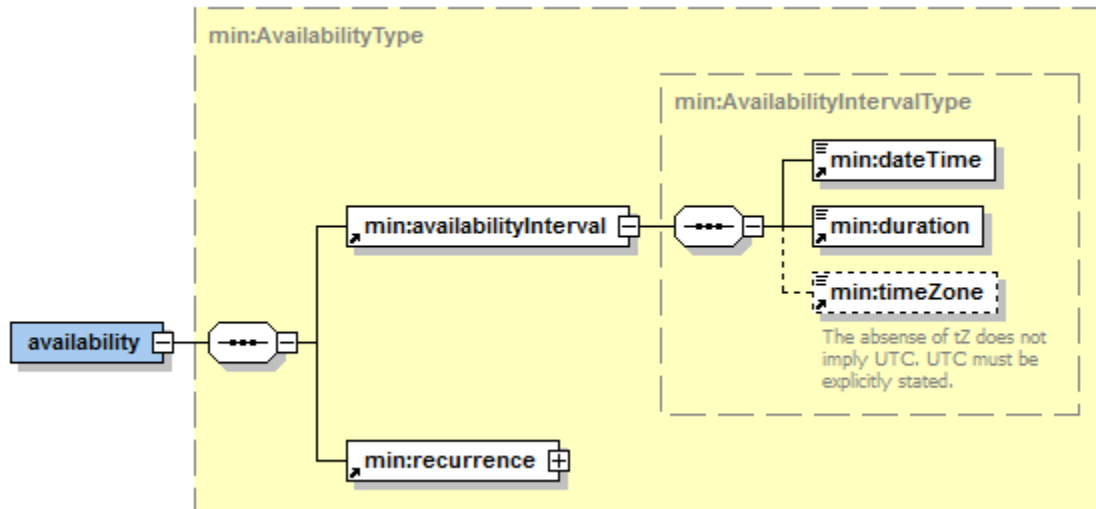
228 VAvailability is the sum of one or more patterns (Availability) that together express when a Service can be
 229 invoked.

230 As a non-normative illustration, the well-known pattern of “During Business Hours” can be described as
 231 the hours from 9:00 AM to 5:00 PM repeated weekly on Monday, Tuesday, Wednesday, Thursday, and
 232 Friday. Alternately, it might be the sum of two patterns, 8:00 AM until noon, Monday, Tuesday,
 233 Wednesday, Thursday, and Friday and 1:00 until 5:00 on Monday, Tuesday, Wednesday, Thursday, and
 234 Friday. An additional pattern of 9:00 AM until 1:00 PM might be added each Saturday. We name the
 235 smaller patterns “Availability” and name the top-level summation VAvailability.

236 Note that this section completes the definition of a Gluon which MAY have an array of Vavailability
 237 components. These components MAY be both Available and Unavailable in the same set. There are
 238 specific rules for overlaying vAvailability components which the practitioner should be aware of. These
 239 rules are described in **[vAvailability]**.

240 **4.3.1 Availability**

241 The Availability type uses the same computational rules as Recurrence and applies then to a seed
242 Interval that is a Duration and dtStart. The DateTime and the Duration are known as the Availability
243 Interval.

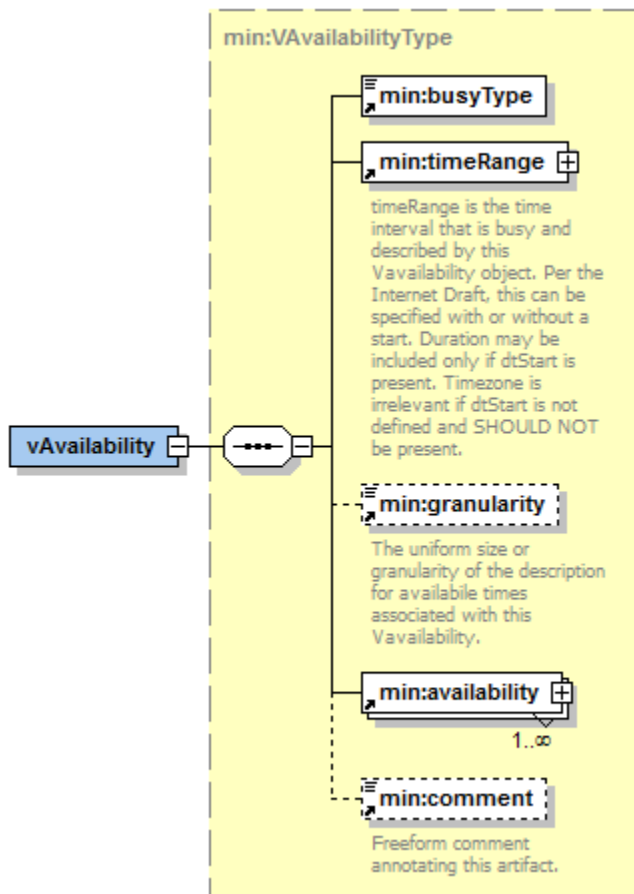


244
245 *Figure 4-3: Availability*

246 Availability applies the Recurrence Rules (RRules) defined in **[RFC5545]** to the availability interval.

247 **4.3.2 VAvailability**

248 VAvailability represents the sum of a collection of Availability types applied within the bounds of a defined
249 Time Range.



250
251 *Figure 4-4: VAvailability Type*

252 Note that Granularity, when applied to vAvailability has a special meaning. A three hour interval
253 advertised with a granularity of 15 minutes may only be invoked on the 15 minute interval. For example,
254 the interval may be 9:00 until Noon, but the only dtStarts that may be requested are at 9:00, 9:15, 8:30,
255 9:25 and so on.

256 5 Conformance

257 5.1 Conformance to WS-Calendar MIN

258 We define two conformance points for WS-Calendar MIN:

- 259 (1) Conformance of an application to MIN
- 260 (2) Conformance of a specification to MIN

261 Note that the term *implementation* may apply to both an application that uses MIN and a specification that
262 extends or otherwise reuses MIN.

263 Applications and specifications claiming conformance SHALL implement all inheritance and semantic
264 rules as described in **[WS-Calendar-PIM]** Section 5.

265 Applications and specifications claiming conformance SHALL conform to PIM Section 6 as described in
266 Section 5.2 below.

267 Applications and specifications claiming conformance SHALL include the entirety of the MIN schema
268 including comments. Extensions are permitted, but all extensions MUST be documented in the
269 conforming application or specification conformance statement(s).

270 5.2 Detailed Conformance with the WS-Calendar-PIM

271 The conformance statements in this section apply to applications and specifications claiming
272 conformance to MIN.

273 Applications and specifications claiming conformance to MIN SHALL fully support the defined rules in
274 Section 5 **[WS-Calendar-PIM]** “Conformance Rules for WS-Calendar PIM”.

275 *Table 5-1: PIM-related Conformance Requirements on applications and specifications claiming conformance to this*
276 *specification*

Section of WS-Calendar-PIM	Notes
6.1	MIN requires conformance to the contained and referenced rules.
6.2	Non-normative; the precision is addressed in [XSD] .
6.3	MIN requires conformance to Interval Conformance PIM Section 6.3. ¹
6.4	These operational conformance requirements are applied to applications and specifications claiming conformance to MIN in Section 5.1 above.
6.5	Non-normative.

277 **[WS-Calendar-PIM]** Sections 6.2 and 6.5 are non-normative; it is RECOMMENDED that creators of
278 conforming applications and specifications consider the contents of those sections.

¹ Note that a schema cannot enforce semantic constraints such as those requiring only a single interval having a *dtStart* value.

279 6 Conformance Statement for WS-Calendar MIN

280 This specification claims conformance to **[WS-Calendar-PIM]**. See the following table for details.

281 *Table 6-1 Conformance of this specification to WS-Calendar PIM*

Section of WS-Calendar-PIM	Notes
6.1	MIN incorporates the required inheritance rules by reference to [WS-Calendar-PIM] section 5 in its entirety.
6.2	Non-normative; the precision is addressed in [XSD] . Time zones may be fully expressed consistent with [xCal] .
6.3	MIN incorporates the conformance requirements in PIM Section 6.3 by reference.
6.4	MIN incorporates the conformance requirements in PIM Section 6.4 by references.
6.5	Non-normative.

282 The model in this specification is expressed in **[XML SCHEMA]** and is standard type of Platform-Specific
283 Model generated by a Model-Driven Architecture transform from the UML model in which the PIM is
284 expressed. Changes from a strict mechanical transform make the XML in the specification more
285 consistent with common XML style.

286 **Appendix A. Acknowledgments**

287 The following individuals have participated in the creation of this specification and are gratefully
288 acknowledged:

289 **Participants:**

290 David Thewlis, CalConnect

291 William Cox, Individual

292 Gershon Janssen, Individual

293 Benoit Lepeuple, LonMark International

294 Michael Douglass, Rensselaer Polytechnic Institute

295 Toby Considine, University of North Carolina at Chapel Hill

296 Chris Bogen, US Department of Defense (DoD)

297

Appendix B. Revision History

Revision	Date	Editor	Changes Made
WD01	21 Jul 2015	Toby Considine	Initial Draft
WD02	22 Jul 2015	Toby Considine	Added section on Recurrence and Availability. Added recurrence to Gluons.
WD03	25 Oct 2015	Toby Considine	Removed re-statement of PIM, keeping definitions and graphics for simplified models for serialization.
WD04	10 Dec 2015	Toby Considine	Changed Relations and Temporal Relations to Relationships and Temporal Relationships. This avoids overloading "Relation" in the PIM.
WD05	14 Dec 2015	William T Cox	Added conformance. Minor edits
WD06	31 Dec 2015	Toby Considine	Migrated to official template as part of publishing for public review. Slight update of Abstract. Removed some spurious references to MPC. No substantive changes.
WD07	30 April 2016	William T Cox	Changed conformance sections; added MIN conformance [to PIM] statement.
WD08	30 May 2016	Toby Considine	Misc editing comments addressed. Some reference correction.