

Jacket: 746-891

Title: IB 10-1234_MOVE! Veteran Workbook P96942

Agency: 8320-01

Bid Opening: February 20, 2020 at 1 pm Dallas

Contractor Name	Bid	Terms		Discounted Total
** Advantage Mailing LLC -- Anaheim 040-02494	\$180,753.77	0.50%	20 days	\$179,850.00
Gray Graphics, Inc. 190-38435	\$200,720.00	2.0%	20 days	\$196,705.60
BKR Printing Co. 430-08870	\$209,110.00	5.0%	20 days	\$198,654.50
Monarch Litho, Inc. 040-60078	\$214,412.00	2.0%	20 days	\$210,123.76
Las Vegas Color Graphics, Inc 270-50580	\$225,555.00	5.0%	20 days	\$214,277.25
LSC Communications 240-49916	\$440,550.00	NET30	days	\$440,550.00
John Roberts Company 220-75735	-----		days	-----
** = Award			days	\$0.00
			days	\$0.00
			days	\$0.00
			days	\$0.00
			days	\$0.00
			days	\$0.00
			days	\$0.00
			days	\$0.00
			days	\$0.00
			days	\$0.00
			days	\$0.00
			days	\$0.00

BID OPENING: February 20, 2020.

BIDS SHALL BE PUBLICLY OPENED AT 1:00 P.M., PREVAILING DALLAS, TX TIME.

ISSUE DATE: February 13, 2020

ANY QUESTIONS BEFORE AWARD CONCERNING THESE SPECIFICATIONS, CALL JIM HUNT AT (214) 767-0451, EXT. 5. NO COLLECT CALLS.

SPECIFICATIONS

U.S. Government Publishing Office (GPO)
Dallas Regional Office
1100 Commerce Street
Room 731
Dallas, TX 75242

GPO CONTRACT TERMS: Any contract which results from this Invitation for Bid will be subject to the applicable provisions, clauses, and supplemental specifications of GPO Contract Terms (GPO Publication 310.2, effective December 1, 1987 (Rev. 01-18)) and GPO Contract Terms, Quality Assurance Through Attributes Program for Printing and Binding (GPO Publication 310.1, effective May 1979 (Rev. 09-19)).

BIDDERS, PLEASE NOTE: The GPO 910 "BID" Form is no longer required. Bidders are to fill out, sign/initial, and return "CONTRACTOR'S BID" section (pages 8 and 9).

PRODUCT: This specification is for proofing, printing, binding and delivery of coil bound books.

TITLE: IB 10-1234_MOVE! Veteran Workbook P96942

QUALITY LEVEL: III Quality Assurance Through Attributes (GPO PUB 310.1, effective May 1979 (Rev. 09-19)) applies.

QUANTITY: 55,000

TRIM SIZE: 8-1/2 x 11"

PAGES: 244 Text Pages + 2 Piece Covers

DESCRIPTION:

ATTACHMENT(S) NOTICE: This specification includes attachments that are an integral part of the specifications. See Carton label and Pallet Guidelines on pages 10 and 11. No additional payment will be allowed for the correction of errors due to the failure of the contractor to examine the attachments and thoroughly understand the nature and extent of the work to be performed.

PRINTING: Covers 1 and 4 print face only; 244 text pages print face and back, head to head in 4-color process consisting of type, illustrations, color halftones, an agency seal, charts, screens, gradients and solids with reverse type and line matter. Covers 2, 3 are blank. NOTE: Cover 3 blank is not included in the provided PDF file. Contractor to create blank. Include cost in bid. After printing, coat the entire surface of Cover 1 and 4 with a Satin Aqueous Coating, to prevent scratching and smearing.

Workbook order:

- MOVE! Veteran Workbook Cover
- Introduction
- Table of Contents
- Module 1 Welcome to MOVE!
- Module 2 Tracking What You Do
- Module 3 Tip the Balance
- Module 4 Eat Wisely
- Module 5 Get Fit for Life
- Module 6 Take Charge of Your Weight
- Module 7 Menu Planning, Shopping, and Cooking
- Module 8 Problem Solving
- Module 9 Pump Up Your Physical
- Module 10 Conquer Triggers and Cues
- Module 11 Finesse Your Food
- Module 12 Dust Yourself Off
- Module 13 Dine Out Successfully
- Module 14 Manage Stress
- Module 15 Fine Tune Your Physical Activity
- Module 16 Maintain Your Progress
- Mini Module: Weight Loss and Sleep
- Mini Module: Lose Weight and Quit Tobacco
- Mini Module: Be Involved in Your Health Care
- Notes Pages
- Back Cover

NOTE: At contractor's option, the product may be produced via conventional offset or digital printing provided that Quality Level 3 standards are maintained. Final output must be wet ink, pigment-based with a minimum of 175 line screen. Dry ink/toner and inkjet printing are not acceptable. Output must be at a minimum resolution of 2400 x 2400 dpi plus a RIP that provides an option for high quality color matching such as Device Links Technology and/or ICC Profiles. Resolution that is enhanced or simulated by software will not be acceptable.

GOVERNMENT TO FURNISH: An Adobe Acrobat PDF file (print ready) will be sent to the contractor after award on a CD or DVD, or uploaded to the contractor's secure SFTP site. Fonts are embedded as subsets. Color is detected as CMYK. Purchase Order, carton label and pallet guidelines will be emailed to the contractor after award.

ELECTRONIC MEDIA:

- PLATFORM: Unknown.

COLOR: CMYK. The following Pantone colors are indicated (1797C, 2716C, 368C, 518C, 7406C, 7416C, Cool Gray 11C, and Orange 021C) additionally images are combination grayscale and CMYK. Contractor to convert to CMYK to ensure output closely matches all colors. Include costs in bid.

- FONTS: Embedded as subsets

- OUTPUT: 175 minimum line screen.

ADDITIONAL INFORMATION:

- Contractor must have the ability to edit PDF files (when furnished by the Government).

- Contractor is not to request that electronic files provided be converted to a different format. If contractor wishes to convert files to a different format, the final output must be of the same or higher quality and at no additional cost to the Government.

- The contractor is cautioned that furnished fonts are the property of the Government and/or its originator. All furnished fonts are to be eliminated from the contractor's archive immediately after completion of the contract.
- Identification markings such as register marks, commercial identification marks of any kind, etc., except form number and revision date, carried in the electronic files, must not print on the finished product.
- Prior to image processing, the contractor shall perform a basic check (preflight) of the furnished media and publishing files to assure correct output of the required reproduction image. Any errors, media damage or data corruption that might interfere with proper file image processing must be reported to your contract administrator.
- The contractor shall create/alter any necessary trapping, set proper screen angles and screen frequency, and define file output selection for the imaging device being utilized. Furnished files must be imaged as necessary to meet the assigned quality level.
- When PostScript Files are not furnished - prior to making revisions, the contractor shall copy the furnished files and make all changes to the copy.
- Upon completion of this order, the contractor must furnish final production native application files (digital deliverable) and one "press quality" PDF file with the furnished media. Storage media must be MAC/PC compatible. The digital deliverables must be an exact representation of the final product and shall be returned on the same type of storage media as was originally furnished. The Government will not accept, as digital deliverables, PostScript files, Adobe Acrobat Portable Document Format (PDF) files, or any proprietary file formats other than those supplied, unless specified by the Government.

STOCK: The specifications of all paper furnished must be in accordance with those listed herein or listed for the corresponding JCP Code numbers in the "Government Paper Specification Standards No. 12" dated March 2011.

NOTE: The requirement for postconsumer fiber (as specified in the Government Paper Specification Standards No. 12) for this contract is waived. However, the addition of post-consumer fiber is encouraged provided that the requirements of this Standard are met. All other attributes remain the same.

COVERS: JCP Code* L11, White No. 1 Coated Cover, Gloss-Finish, Basis Size 20 X 26" Basis Weight 80
TEXT: JCP Code* A260, Dull Coated Offset Book, Basis Size 25 X 38" Basis Weight 70

INK: 4-color process plus satin aqueous coating for covers 1 and 4.

MARGINS: Cover 1 and 4 bleed two (2) sides, text pages have uncommon bleeds throughout. Bleeds are not built into the provided Adobe Acrobat PDF file. Contractor must increase image to account for bleeds. Include cost in bid.

PREPRODUCTION SAMPLE(S): Prior to the commencement of production of the contract production quantity, the contractor must provide TWO (2) prior-to-production samples no later than February 28, 2020. Each prior-to-production sample must be constructed as specified using the form, ink, equipment, and methods of production which will be used in producing the finished product. Paper used for samples must be of the size, kind, and quality the contractor will furnish.

The Government will approve, conditionally approve, or disapprove the samples within ONE (1) workday of the receipt thereof. Approval or conditional approval shall not relieve the contractor from complying with the specifications and all other terms and conditions of the contract. A conditional approval shall state any further action required by the contractor. A notice of disapproval shall state the reasons therefor.

If the samples are disapproved by the Government, the Government, at its option, may require the contractor to submit additional samples for inspection and test, in the time and under the terms and conditions specified in the notice of rejection. Such additional samples shall be furnished, and necessary changes made, at no additional cost to the Government and with no extension in the shipping schedule. The Government will require the time specified above to inspect and test any additional samples required.

In the event the additional samples are disapproved by the Government, the contractor shall be deemed to have failed to make delivery within the meaning of the default clause in which event this contract shall be subject to

termination for default, provided however, that the failure of the Government to terminate the contract for default in such event shall not relieve the contractor of the responsibility to deliver the contract quantities in accordance with the shipping schedule.

In the event the Government fails to approve, conditionally approve, or disapprove the samples within the time specified, the Contracting Officer shall automatically extend the shipping schedule in accordance with Contract Clause 12, "Notice of Compliance With Schedules," of GPO Contract Terms (GPO Publication 310.2, effective December 1, 1987 (Rev. 01-18)).

Manufacture of the final product prior to approval of the sample submitted is at the contractor's risk. Samples will not be returned to the contractor. All costs, including the costs of all samples shall be included in the contract price for the production quantity.

All samples shall be manufactured at the facilities in which the contract production quantities are to be manufactured.

The prior-to-production samples must be delivered by the date specified above to:

Chloe Purdue (757-793-3420)
5705 Lynnhaven Pkwy Apt. 302
Virginia Beach, VA 23464

-----1 complete prior to production sample.

Department of Veterans Affairs
Attn: Perry Gamble, Print Services Specialist (202-461-6852)
810 Vermont Ave., NW, Room 763
Washington, DC 20420

-----1 complete prior to production sample.

CONTRACTOR MUST NOT PRINT PRIOR TO RECEIVING AN "OK TO PRINT"

CONTRACTOR TO FURNISH: All other materials and operation necessary to fulfill the contract requirements, including secure file transfer protocol (FTP) capability, and any necessary conversion program to utilize Government furnished files.

BINDING: Collate covers and text pages, punch along the left side 11" dimension and bind with a suitable sized black plastic coil binding. NOTE: Contractor must adjust pages as needed to ensure that no information is lost during the spiral binding. Pages MUST lay flat when book is open.

PACKING: Pack suitable per container to prevent damage in transit. Alternate books to avoid tangling of coils. Pack in suitable cartons not to exceed 30 lbs. Pallets are required. Contractor will notify agency and GPO as soon as possible the cartons dimensions and number of books per carton.

Pack to ensure no damage occurs to product during transit. Pack to ensure no shifting of product in transit, using spacers if necessary. Product should arrive with no abrasions, dog-ears, etc.

IMPORTANT NOTE: Contractor to apply Carton Labels to ALL containers. See page 10.

NOTE: All shipping containers require a container label. Complete a copy of the enclosed packing and shipping labels (VA Forms 7596) and affix one to each shipping container according to the instruction at the top of the carton label sheet (make additional copies as necessary).

SCHEDULE: See "Notice of Compliance with Schedules", Clause 12, Contract Clauses, GPO Contract Terms, effective December 1, 1987, (Rev 1-18).

All schedule milestones may occur prior to the date specified, but not after.

February 24, 2020:	Award of contract, furnished material available for pick up
February 28, 2020:	Proofs to agency
March 20, 2020:	Complete delivery agency/GPO

NOTE: Contractor must notify the ordering agency on the same day that the product ships/delivers via e-mail to Perry Gamble (Perry.Gamble2@va.gov) and Jim Hunt (jhunt@gpo.gov). The subject line of this message shall be "Distribution Notice for Jacket 746-891, Req 0-00145". The notice must provide all applicable tracking numbers, shipping method, and title. Contractor must be able to provide copies of all delivery, mailing, and shipping receipts upon agency request.

DISRIBUTION: F.O.B. Destination.

Deliver via traceable means to:

U.S. Department of Veterans Affairs
SDC/OPS, Bldg. 37, Door 14
1st Avenue One Block North of 22nd Street
Hines, IL 60141
Attn: John Burke (708-786-7758)

-----55,000 books (include 200 Blue Label copies)

NOTE: Warehouse accepts deliveries between 7am-2pm Central Time

***Inside delivery required for the following:

Department of Veterans Affairs
Attn: Perry Gamble, Print Services Specialist (202-461-6852)
810 Vermont Ave., NW, Room 763
Washington, DC 20420

-----1 book.

U.S. Government Publishing Office
1100 Commerce Street, Suite 731
Dallas, TX 75242

-----1 book as inspection sample. M/F: Sample/J746-891/jh.

DEPARTMENTAL RANDOM COPIES (BLUE LABEL): All orders must be divided into 200 equal sublots in accordance with the chart below. A random copy must be selected from each subplot. Do not choose copies from the same general area in each subplot. The contractor will be required to certify that copies were selected as directed using GPO Form 917-Certificate of Selection of Random Copies (located on GPO.gov). The random copies constitute a part of the total quantity ordered, and no additional charge will be allowed.

These randomly selected copies must be packed separately and identified by a special label (GPO Form 2678-Departmental Random Copies, Blue Label) that must be printed on blue paper and affixed to each affected container. This form can be downloaded from GPO.gov. The container and its contents shall be recorded separately on all shipping documents and sent in accordance with the distribution list to Hines, IL 60141.

A copy of the purchase order and a signed Certificate of Selection of Random Copies, must be included.

QUALITY ASSURANCE THROUGH ATTRIBUTES: The bidder agrees that any contract resulting from bidder’s offer under these specifications shall be subject to the terms and conditions of GPO Pub. 310.1 “Quality Assurance Through Attributes – Contract Terms” in effect on the date of issuance of the invitation for bid. GPO Pub 310.1 is available without charge from: U.S. Government Publishing Office, Dallas Regional Office, 1100 Commerce Street, Room 731, Dallas, TX 75242.

LEVELS AND STANDARDS: The following levels and standards shall apply to these specifications:

Product Quality Levels:

- (a) Printing (page related) Attributes – Level III
- (b) Finishing (item related) Attributes – Level III

Inspection Levels (from ANSI/ASQC Z1.4):

- (a) Non-destructive Tests - General Inspection Level I.
- (b) Destructive Tests - Special Inspection Level S-2.

Specified Standards: The specified standards for the attributes requiring them shall be:

ATTRIBUTE SPECIFIED	SPECIFIED STANDARD	ALTERNATE STANDARD*
P-7. Type Quality and Uniformity	Approved Prior to Production Samples	Electronic Media
P-10. Process Color Match	Approved Prior to Production Samples	Electronic Media

*In the event that the Specified Standard is waived, the Alternate Standard will serve as its replacement.

OFFERS: Offers must include the cost of all materials and operations for each item listed in accordance with these specifications. In addition to a price for the quantity called for in these specifications, a price must also be submitted for each additional 1,000 printed copies at the same time as the initial order. The price for additional quantities must be exclusive of all basic or preliminary costs.

PREAWARD SURVEY: In order to determine the responsibility of the prime contractor or any subcontractor, the Government reserves the right to conduct an on-site preaward survey at the contractor's/subcontractor's facility or to require other evidence of technical, production, managerial, financial, and similar abilities to perform, prior to the award of a contract. As part of the financial determination, the contractor in line for award may be required to provide one or more of the following financial documents:

- 1) Most recent profit and loss statement
- 2) Most recent balance sheet
- 3) Statement of cash flows
- 4) Current official bank statement
- 5) Current lines of credit (with amounts available)
- 6) Letter of commitment from paper supplier(s)
- 7) Letter of commitment from any subcontractor

The documents will be reviewed to validate that adequate financial resources are available to perform the contract requirements. Documents submitted will be kept confidential, and used only for the determination of responsibility by the Government. Failure to provide the requested information in the time specified by the Government may result in the Contracting Officer not having adequate information to reach an affirmative determination of responsibility.

BID SUBMISSION: Submit bid in pre-addressed envelope furnished with solicitation or send to: U.S. Government Publishing Office, 1100 Commerce Street, Suite 731, Dallas, TX 75242. Facsimile bids in response to this solicitation are permitted. Facsimile bids may be submitted directly to Fax No. (214) 767-4101. The jacket number and bid opening date must be specified with the bid. Refer to Facsimile Bids in Solicitation Provisions of GPO Contract Terms, GPO Publication 310.2, as revised January 2018. Hand delivered bids are to be taken to: U.S. Government Publishing Office, 1100 Commerce Street, Suite 731, Dallas, TX 75242, between the hours of 8:00 a.m. and 4:00 p.m., prevailing Dallas, TX time, Monday through Friday. Contractor is to follow the instructions in

the bid submission/opening area. If further instruction or assistance is required, call (214) 767-0451, Ext 5.

NOTE: The GPO 910 "BID" Form is no longer required. Bidders are to fill out, sign/initial, and return "CONTRACTOR'S BID" section (pages 8 and 9).

PAYMENT: Submitting invoices for payment via the GPO fax gateway (if no samples are required) utilizing the GPO barcode coversheet program application is the most efficient method of invoicing. Instruction for using this method can be found at the following web address:

<http://winapps.access.gpo.gov/fms/vouchers/barcode/instructions.html>

Invoices may also be mailed to: U.S. Government Publishing Office, Office of Financial Management, Attn: Comptroller, Stop: FMCE, Washington, DC 20401.

For more information about the billing process refer to the General Information of the Office of Finance web page located at <https://www.gpo.gov/how-to-work-with-us/agency/billing-and-payment>.

COMPLIANCE REPORTING: Contractors are to report information regarding each order for compliance reporting purposes and include date of delivery (or shipment if applicable) for delivery schedules in accordance with the contract requirements by faxing to COMPLIANCE at efaxdallas@gpo.gov or at 800-865-5193. Personnel receiving the fax will be unable to respond to questions of a technical nature.

CONTRACTOR NAME: _____

SHIPMENT(S): Shipments will be made from: City _____, State _____

The city(ies) indicated above will be used for evaluation of transportation charges when shipment f.o.b. contractor's city is specified. If no shipping point is indicated above, it will be deemed that the bidder has selected the city and state shown below in the address block, and the bid will be evaluated and the contract awarded on that basis. If shipment is not made from evaluation point, the contractor will be responsible for any additional shipping costs incurred.

Contractor's Bid Amount: _____

Additional Rate: _____ **Per** _____

(Contractor's Initials)

COMPLETE AND SUBMIT THIS PAGE WITH BID

DISCOUNTS: Discounts are offered for payment as follows: _____ Percent, _____ calendar days. See Article 12 "Discounts" of Solicitation Provisions in GPO Contract Terms (Publication 310.2).

BID ACCEPTANCE PERIOD: In compliance with the above, the undersigned agree, if this bid is accepted within _____ calendar days (60 calendar days unless a different period is inserted by the bidder) from the date for receipt of bids, to furnish the specified items at the price set opposite each item, delivered at the designated points(s), in exact accordance with specifications.

NOTE: Failure to provide a 60-day bid acceptance period may result in expiration of the bid prior to award.

AMENDMENT(S): Bidder hereby acknowledges amendment(s) number(ed) _____

BIDDER'S NAME AND SIGNATURE: Unless specific written exception is taken, the bidder, by signing and submitting a bid, agrees with and accepts responsibility for all certifications and representations as required by the solicitation and GPO Contract Terms - Publication 310.2. When responding by fax or mail, fill out and return one copy of all pages of "CONTRACTOR'S BID" section including initialing/signing where indicated.

Failure to sign the signature block below may result in the bid being declared non-responsive.

Bidder _____
(Contractor Name) (GPO Contractor's Code)

(Street Address)

(City - State - Zip Code)

By _____
(Printed Name, Signature, and Title of Person Authorized to Sign this Bid) (Date)

(Person to be Contacted) (Telephone Number) (Email)

THIS SECTION FOR GPO USE ONLY

Certified by: _____ Date: _____ Contracting Officer: _____ Date: _____
(Initials) (Initials)

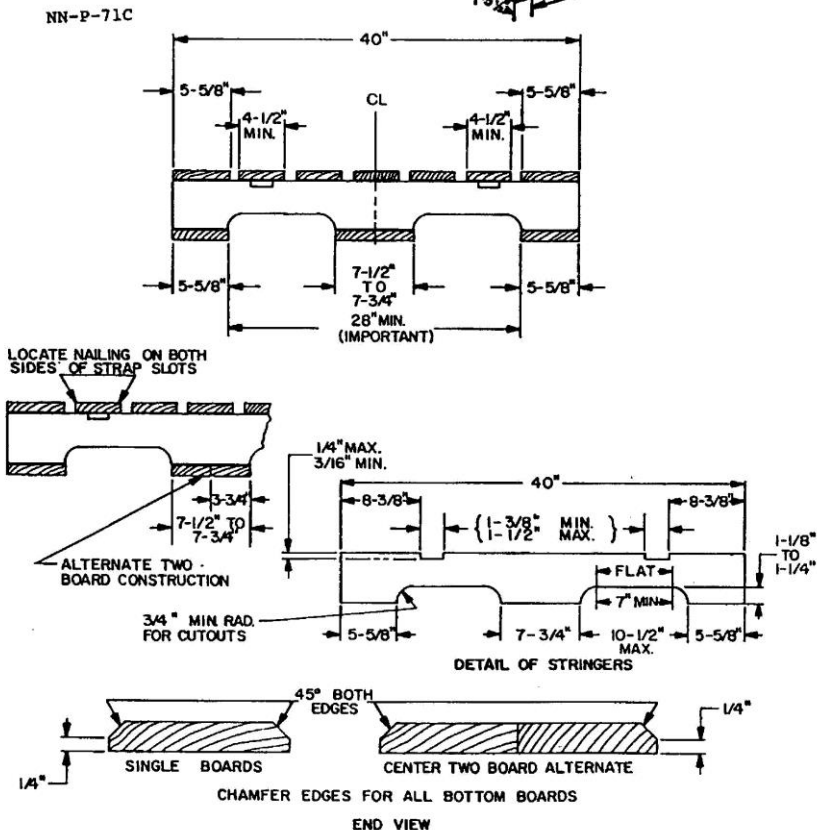
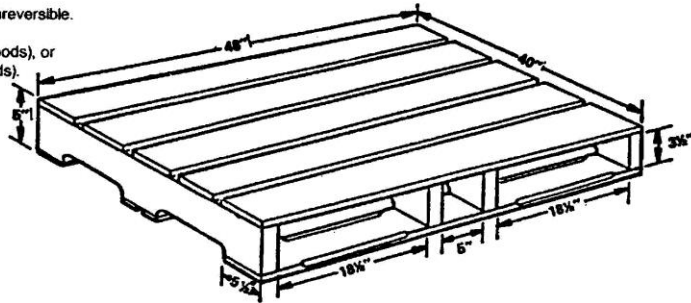


COMPLETE AND SUBMIT THIS PAGE WITH BID

Department of Veterans Affairs	VA PROCUREMENT SLIP AND LABEL FORMS																								
<p>NOTE: Both the Packing Slip and Carton label are to be utilized in accordance with GPO 310.2. The below Packing Slip and Carton Label may be used as camera copy and may be reproduced in a larger or smaller size as needed.</p>																									
VA PACKING SLIP																									
<table border="1" style="width: 100%; border-collapse: collapse;"> <tr> <td style="text-align: center;"> Department of Veterans Affairs </td> </tr> <tr> <td>FORM NO. IB 10-1234</td> </tr> <tr> <td>REVISION DATE 02/2019</td> </tr> <tr> <td>UNIT OF ISSUE <i>(sheet, pad, set, book, etc.)</i> Booklet</td> </tr> <tr> <td>STOCK NO. P96942</td> </tr> <tr> <td>TITLE MOVE! Veteran Workbook</td> </tr> <tr> <td>STANDARD PACKAGE QUANTITY N/A</td> </tr> <tr> <td>Control Number</td> </tr> </table>		Department of Veterans Affairs	FORM NO. IB 10-1234	REVISION DATE 02/2019	UNIT OF ISSUE <i>(sheet, pad, set, book, etc.)</i> Booklet	STOCK NO. P96942	TITLE MOVE! Veteran Workbook	STANDARD PACKAGE QUANTITY N/A	Control Number																
Department of Veterans Affairs																									
FORM NO. IB 10-1234																									
REVISION DATE 02/2019																									
UNIT OF ISSUE <i>(sheet, pad, set, book, etc.)</i> Booklet																									
STOCK NO. P96942																									
TITLE MOVE! Veteran Workbook																									
STANDARD PACKAGE QUANTITY N/A																									
Control Number																									
VA FORM 7596, DEC 1997 (R)	PACKING SLIP																								
VA CARTON LABEL																									
<table border="1" style="width: 100%; border-collapse: collapse;"> <tr> <td style="width: 30%; text-align: center;"> Department of Veterans Affairs </td> <td style="text-align: center;">CARTON LABEL</td> </tr> <tr> <td style="width: 20%; text-align: center;">FROM</td> <td style="width: 50%;"></td> <td style="width: 30%; text-align: center;">FOR USPS DELIVERY APPLY POSTAGE</td> </tr> <tr> <td>DEPARTMENT Department of Veterans Affairs</td> <td>STOCK NO. P96942</td> <td></td> </tr> <tr> <td>DEPARTMENT REQUISITION NO. 20-00145</td> <td>CONTROL NO. CN 014482</td> <td></td> </tr> <tr> <td>GPO JACKET NO.</td> <td>BAR CODE</td> <td></td> </tr> <tr> <td>GPO ORDER NO.</td> <td>TITLE MOVE! Veteran Workbook</td> <td></td> </tr> <tr> <td>PROGRAM/PRINT ORDER NO. 20-00145</td> <td rowspan="4" style="vertical-align: top;"> <table border="1" style="width: 100%; border-collapse: collapse;"> <tr> <td style="width: 20%; text-align: center;">TO</td> <td>Department of Veterans Affairs SDC/OPS, Bldg. 37, Door 14 1st Avenue one block North of 22nd St. Hines, IL 60141 John Burke, 708-786-7758</td> </tr> </table> </td> </tr> <tr> <td>FORM OR PUBLICATION NO./DATE IB 10-1234 / 02/2019</td> </tr> <tr> <td>QUANTITY PER CONTAINER</td> </tr> <tr> <td>PACKAGES PER CONTAINER</td> </tr> </table>		Department of Veterans Affairs	CARTON LABEL	FROM		FOR USPS DELIVERY APPLY POSTAGE	DEPARTMENT Department of Veterans Affairs	STOCK NO. P96942		DEPARTMENT REQUISITION NO. 20-00145	CONTROL NO. CN 014482		GPO JACKET NO.	BAR CODE		GPO ORDER NO.	TITLE MOVE! Veteran Workbook		PROGRAM/PRINT ORDER NO. 20-00145	<table border="1" style="width: 100%; border-collapse: collapse;"> <tr> <td style="width: 20%; text-align: center;">TO</td> <td>Department of Veterans Affairs SDC/OPS, Bldg. 37, Door 14 1st Avenue one block North of 22nd St. Hines, IL 60141 John Burke, 708-786-7758</td> </tr> </table>	TO	Department of Veterans Affairs SDC/OPS, Bldg. 37, Door 14 1st Avenue one block North of 22nd St. Hines, IL 60141 John Burke, 708-786-7758	FORM OR PUBLICATION NO./DATE IB 10-1234 / 02/2019	QUANTITY PER CONTAINER	PACKAGES PER CONTAINER
Department of Veterans Affairs	CARTON LABEL																								
FROM		FOR USPS DELIVERY APPLY POSTAGE																							
DEPARTMENT Department of Veterans Affairs	STOCK NO. P96942																								
DEPARTMENT REQUISITION NO. 20-00145	CONTROL NO. CN 014482																								
GPO JACKET NO.	BAR CODE																								
GPO ORDER NO.	TITLE MOVE! Veteran Workbook																								
PROGRAM/PRINT ORDER NO. 20-00145	<table border="1" style="width: 100%; border-collapse: collapse;"> <tr> <td style="width: 20%; text-align: center;">TO</td> <td>Department of Veterans Affairs SDC/OPS, Bldg. 37, Door 14 1st Avenue one block North of 22nd St. Hines, IL 60141 John Burke, 708-786-7758</td> </tr> </table>	TO	Department of Veterans Affairs SDC/OPS, Bldg. 37, Door 14 1st Avenue one block North of 22nd St. Hines, IL 60141 John Burke, 708-786-7758																						
TO		Department of Veterans Affairs SDC/OPS, Bldg. 37, Door 14 1st Avenue one block North of 22nd St. Hines, IL 60141 John Burke, 708-786-7758																							
FORM OR PUBLICATION NO./DATE IB 10-1234 / 02/2019																									
QUANTITY PER CONTAINER																									
PACKAGES PER CONTAINER																									
VA FORM 7596, DEC 1997 (R)																									

Stringer and Deckboard Design for Type III, Four-way (Partial) Flush Pallet

- a) Federal Specification Pallets, Material Handling, Wood, Stringer Construction, 2-way and 4-way (partial), NN-P-71C, dated 9-10-73.
- b) Classification:
 - 1. Type III—four-way (partial), flush, assembled, nonreversible.
 - 2. Size 2—40" x 48".
 - 3. Wood Group II—medium density woods (softwoods), or Wood Group III—high density woods (hardwoods).
 - 4. Grade A—untreated.
- c) Preproduction model not required.
- d) Moisture content as per specification.
- e) Manufacturer's identification not required.
- f) Bundling for shipment not required.



- 1. Dimensions are in inches.
- 2. Notches are to be centered about the centerline (CL).
- 3. Corners of notches shall be rounded as indicated.
- 4. One or two bottom deckboards may be used at the center.