

PARTS LIST
AE-800
Electronic Typewriter

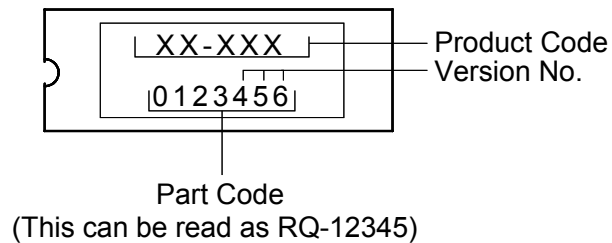
EDITION 3
NOV. 2004
001-03164-03

PREFACE

1. This parts list is used to order parts required for the electronic typewriter.
2. The part code for the ROM including version number is printed on the protection label as illustrated below.

Be sure to use same part code for compatibility when ordering parts.

Example:



3. The Classified mark is printed on the control PCB as illustrated below.
- Be sure to use the same classified mark for compatibility when ordering parts.

Example:

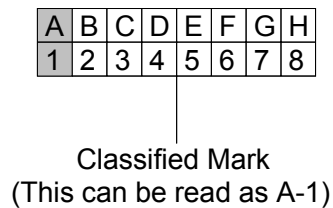
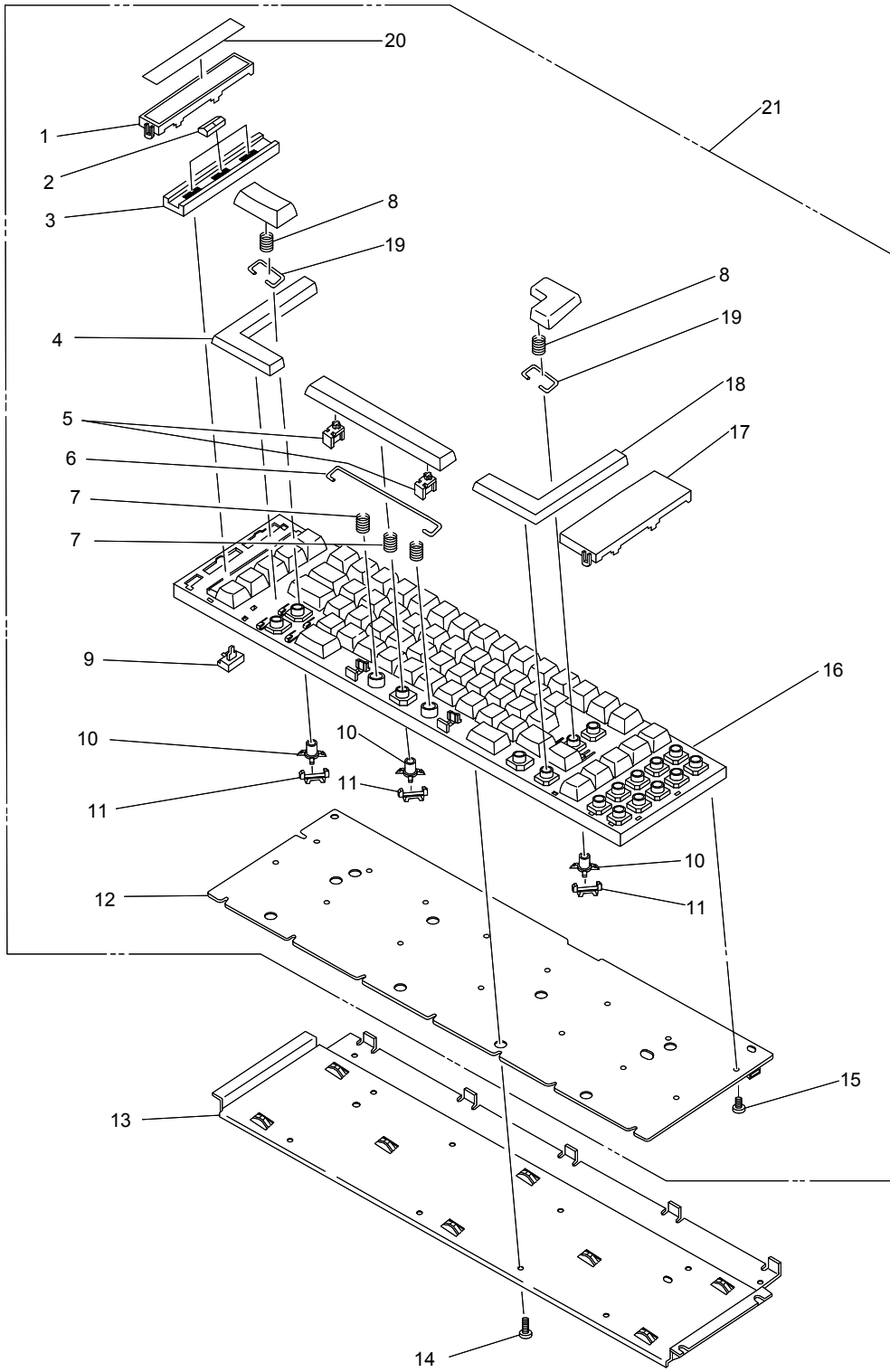


TABLE OF CONTENTS

KEYBOARD ASSEMBLY	1
PAPER FEED MECHANISM	3
CARRIER DRIVE MECHANISM	5
CARRIER DRIVE FRAME	7
RIBBON BASE MECHANISM	9
RIBBON DRIVE	11
PRINT HEAD & FRONT PLATE MECHANISM	13
HOUSING	15
POWER SUPPLY	17
ACCESSORIES	19
NOISE FILTER PCB & CARRIER PCB	21
DRIVER PCB ASSEMBLY	23
CONTROL PCB FOR INITIAL MODELS	27
CONTROL PCB FOR SECOND MODELS	31
PACKING	35

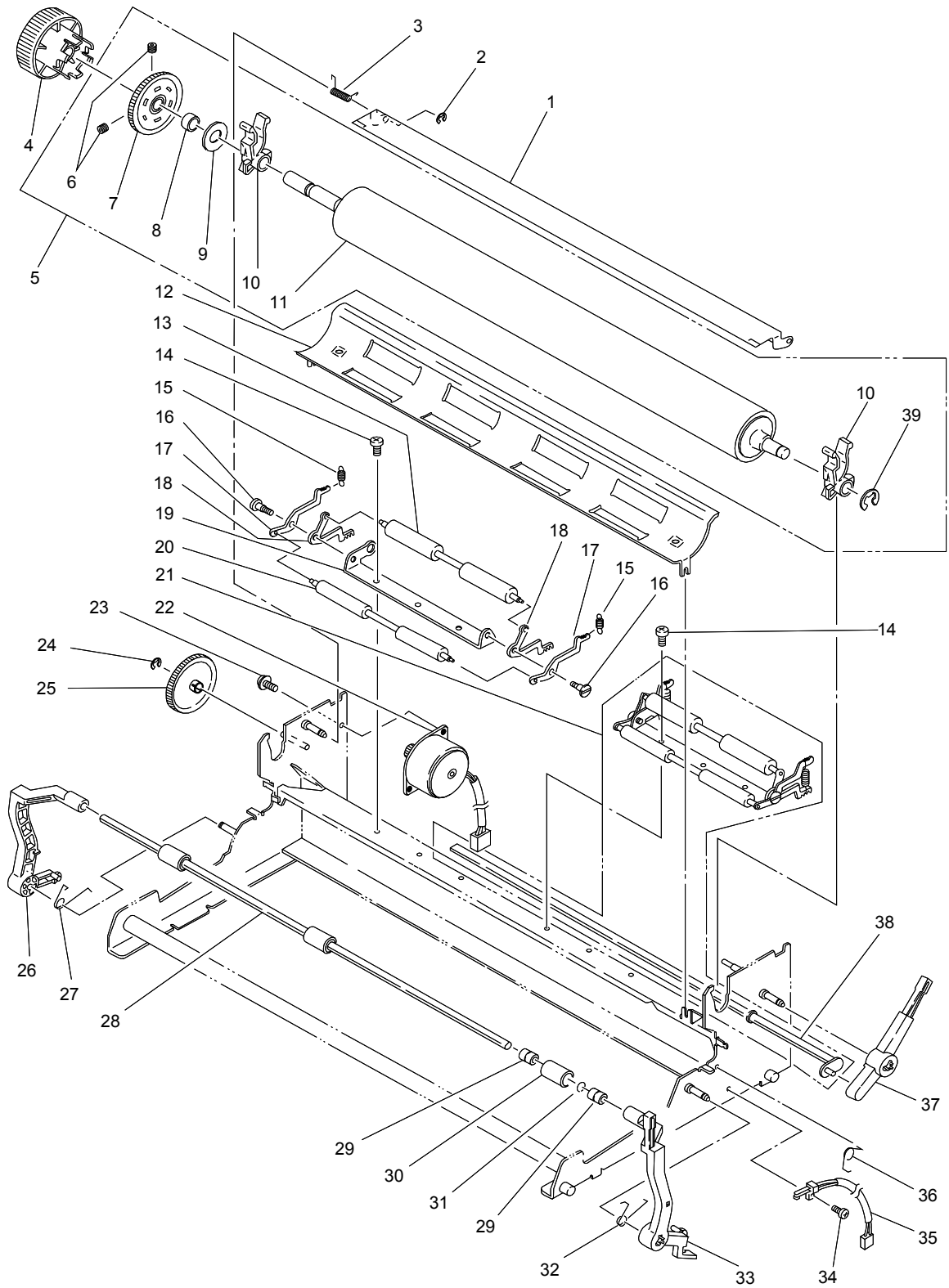


**FUNCTIONAL
GROUP NAME**

KEYBOARD ASSEMBLY

MODEL AE-800

REF. NO.	PART CODE	Q'TY	DESCRIPTION
1	H00-40020-45	1	KEYBOARD SPACER A
2	H00-40060-45	1	SLIDE KEY CAP
3	H00-40070-45	1	SLIDE KEY HOUSING
4	H00-40040-45	1	KEYBOARD SPACER C
5	H00-40190	2	KEY CAP HOOK
6	H00-40170	1	CRANK SHAFT (LARGE)
7	H00-40140	2	SPRING
8	H00-40130	68	SPRING
9	H00-40160	3	SLIDE SWITCH
10	H00-40100	68	KEY STEM
11	H00-40120	68	CONTACT RUBBER
12	H00-42000	1	KEYBOARD PCB ASSEMBLY
13	H00-40090	1	PANEL GUIDE
14	680-00170	8	SCREW M3.0 X 6
15	400-44110	22	SCREW M2.0 X 5
16	H00-40250	1	KEYBOARD PANEL
17	H00-40030-45	1	KEYBOARD SPACER B
18	H00-40050-45	1	KEYBOARD SPACER D
19	H00-40180	2	CRANK SHAFT (SMALL)
20	H00-40230	1	FUNCTION SHEET
			KEYBOARD UNIT (WITH ON LINE)
21	KT9-92013-45	1	USA
	KT9-92082-45	1	HISPANO 3
	KT9-93074-45	1	NEW CANADIAN-FRENCH
			KEYBOARD UNIT (WITHOUT ON LINE)
21	KAC-52013-45	1	USA
	KAC-52082-45	1	HISPANO 3
	KAC-52074-45	1	NEW CANADIAN-FRENCH

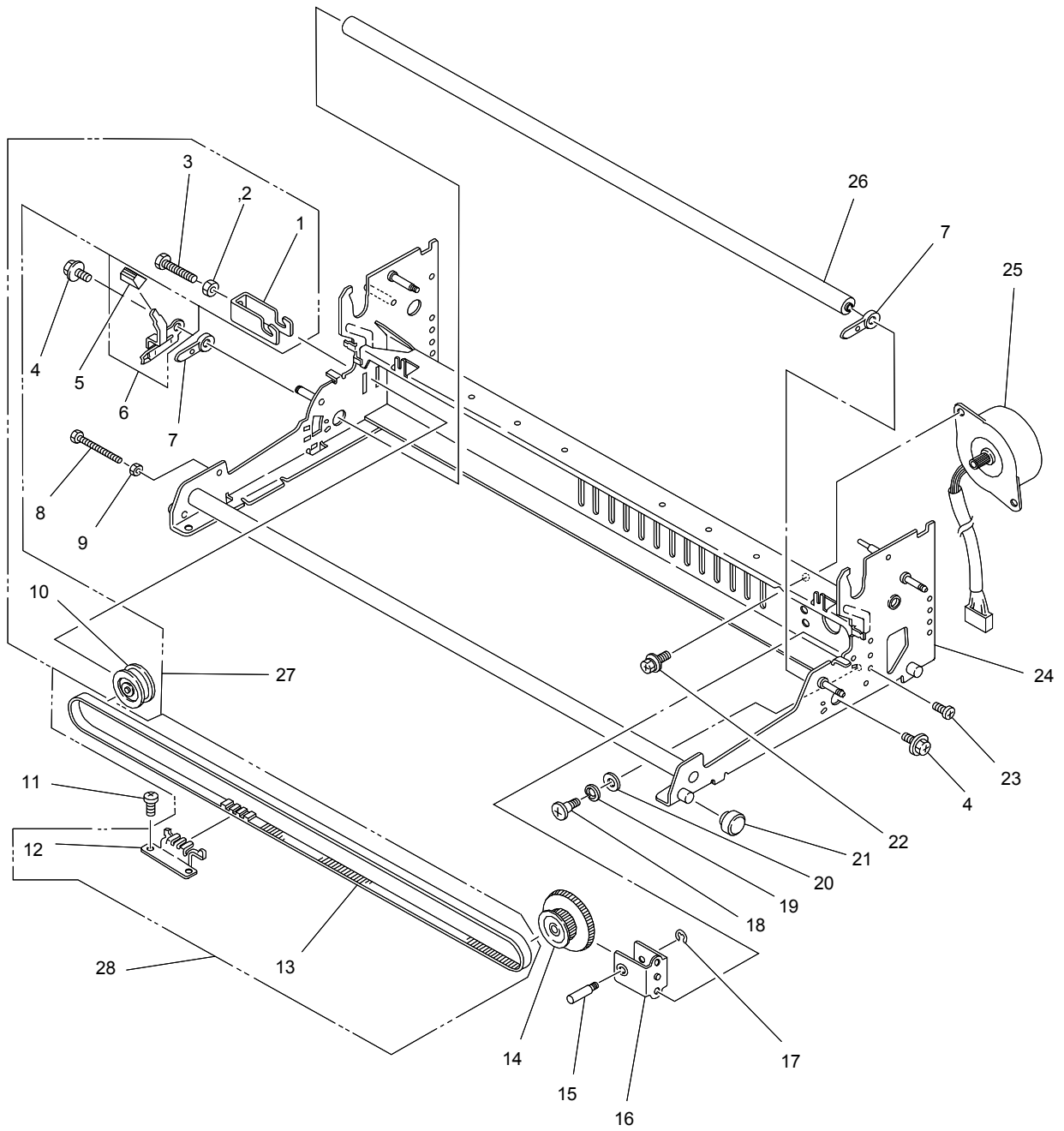


**FUNCTIONAL
GROUP NAME**

PAPER FEED MECHANISM

MODEL AE-800

REF. NO.	PART CODE	Q'TY	DESCRIPTION
1	H00-66115-01	1	ERASURE ASSEMBLY
2	011-02020	1	RETAINING RING D=2
3	330-61101	1	SPRING ERASE TABLE
4	H00-65050-01	1	PLATEN KNOB
5	H00-65000	1	PLATEN ASSEMBLY
6	011-00150	2	SCREW M4.0 X 4
7	H00-65030	1	PLATEN GEAR
8	H00-65060	1	PLATEN GEAR SPACER
9	330-61290	1	WASHER
10	H00-65020	2	PLATEN GUIDE
11	H00-65010	1	PLATEN
12	H00-63016	1	PAPER PAN ASSEMBLY
13	H00-63030	2	FEED ROLLER B
14	501-70200	4	SCREW M3.0 X 5
15	H00-63150	4	SPRING
16	011-30120	4	HORIZONTAL CRANK SET SCREW
17	H00-63070	4	FEED ROLLER ARM A
18	H00-63080	4	FEED ROLLER ARM B
19	H00-63060	2	FEED ROLLER BRACKET
20	H00-63020	2	FEED ROLLER A
21	H00-63000	2	FEED ROLLER ASSEMBLY
22	H00-64017-00-SA	1	INDEX MOTOR ASSEMBLY
23	551-10040	2	SCREW M3.0 X 5
24	501-70500	1	RETAINING RING D=4
25	H00-64031	1	INDEX IDLER GEAR
26	H00-66030-35	1	PAPER BAIL ARM (L)
27	H00-66110	1	PAPER BAIL SPRING (L)
28	005-42381	1	PAPER BAIL SHAFT
29	H00-66060	6	PAPER BAIL ROLLER
30	H00-66050	3	PAPER BAIL RUBBER
31	H00-66040	3	BAIL SPRING
32	H00-66100	1	PAPER BAIL SPRING (R)
33	H00-66021-35	1	PAPER BAIL ARM (R)
34	620-54010	1	SCREW M2.0 X 8
35	H00-67025	1	PAPER INJECTOR ASSEMBLY
36	H00-66120	1	BAIL ARM SPRING
37	H00-63090-35	1	PAPER RELEASE LEVER
38	H00-63105	1	RELEASE SHAFT ASSEMBLY
39	820-90010	1	RETAINING RING D=8

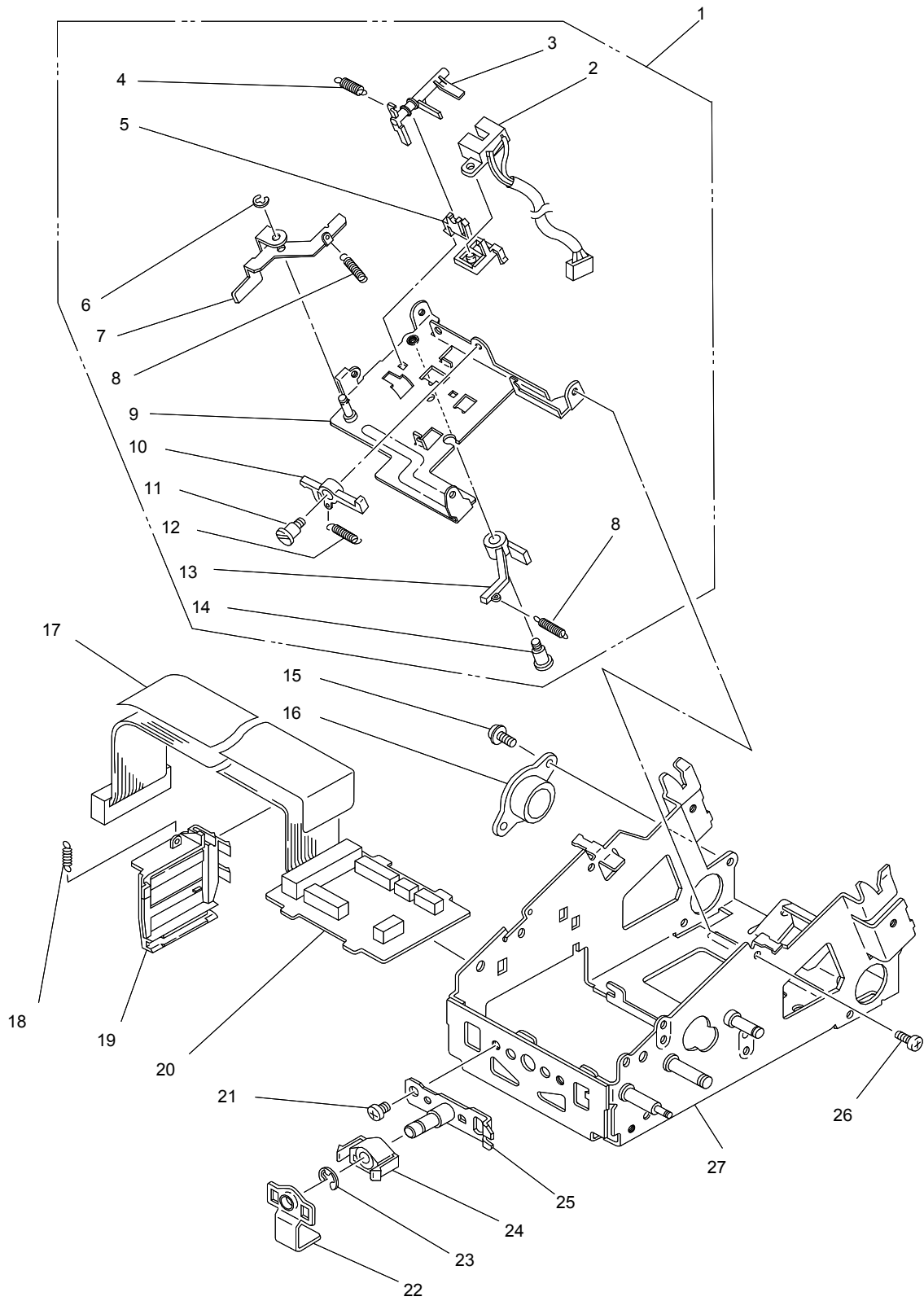


**FUNCTIONAL
GROUP NAME**

CARRIER DRIVE MECHANISM

MODEL AE-800

REF. NO.	PART CODE	Q'TY	DESCRIPTION
1	H00-62100	1	IDLER PULLEY BRACKET
2	501-70030	1	NUT M4
3	H00-62130	1	SCREW M4.0 X 16
4	H00-61190	2	SCREW M4.0 X 6
5	H00-61150-36	1	LEVER CAP
6	H00-61135-36	1	COPY DETENT LEVER
7	H00-61141	2	COPY CONTROL ARM
8	H00-61080	1	SCREW M3.0 X 25
9	011-03510	1	NUT M3
10	H00-62070	1	IDLER PULLEY
11	011-00010	2	SCREW M3.0 X 4
12	H00-62121	1	BELT CRANK
13	H00-62110	1	CARRIER DRIVE BELT
14	H00-62030	1	CARRIER DRIVE PULLEY ASSEMBLY
15	H00-62090	1	DRIVE PULLEY PIN
16	H00-62080	1	PULLEY PLATE
17	011-02030	1	RETAINING RING D=2.5
18	H00-62060	1	SCREW
19	680-00040	1	SPRING WASHER
20	100-81130	1	WASHER 5 X 10 X 1
21	H00-61090	4	RUBBER
22	330-60170	1	SCREW M4.0 X 8
23	501-70200	2	SCREW M3.0 X 5
24	H00-61000	1	CHASSIS FRAME ASSEMBLY
25	H00-62017	1	CARRIER DRIVE MOTOR
26	H00-61120	1	CENTER SHAFT
27	H00-62075	1 SET	IDLE PULLEY ASSEMBLY
28	H00-62115	1 SET	CARRIER DRIVE BELT ASSEMBLY

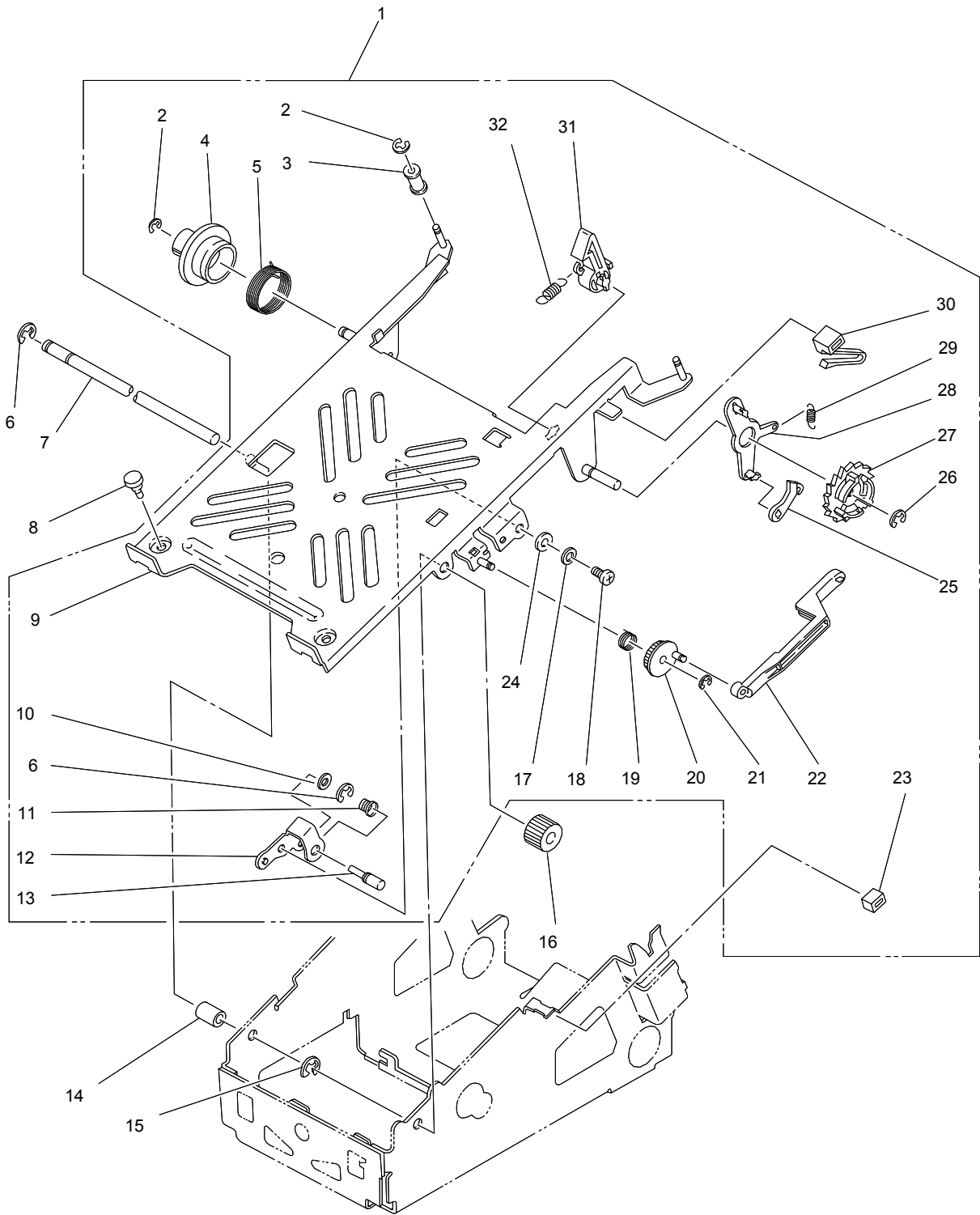


**FUNCTIONAL
GROUP NAME**

CARRIER DRIVE FRAME

MODEL AE-800

REF. NO.	PART CODE	Q'TY	DESCRIPTION
1	H00-56000	1 SET	SENSOR PLATE ASSEMBLY
2	H00-57585	1	RIBBON SENSOR ASSEMBLY
3	H00-56030	1	SENSOR ARM
4	820-70720	1	SUB HOOK SPRING
5	H00-56020	1	INTERRUPTER HOLDER
6	011-02020	1	RETAINING RING D=2
7	H00-56060	1	CARRIER SET CRANK
8	551-02050	2	SPRING
9	H00-56005	1	SENSOR PLATE ASSEMBLY
10	H00-56050	1	RIBBON SENSOR CRANK
11	H00-56080	1	SENSOR CRANK SCREW
12	011-16050	1	BACK SPRING
13	H00-56040	1	RELEASE SENSOR ARM
14	330-51850	1	SCREW A
15	H00-51220	4	SCREW M3.0 X 5
16	H00-51020	2	CARRIER METAL
17	H00-51050	1	EARTH BLADE
18	A01-55290	1	SPRING
19	H00-51040	1	CABLE HOLDER
20	H00-57005	1	CARRIER PCB ASSEMBLY
21	820-90210	2	SCREW M3.5 X 4
22	H00-51030	1	CARRIER GUIDE BRACKET
23	501-70500	1	RETAINING RING D=4
24	200-51040	1	CARRIER GUIDE
25	200-51026	1	CARRIER GUIDE BASE ASSEMBLY
26	011-00160	4	SCREW M3.0 X 4
27	H00-51015	1	CARRIER FRAME
*	H00-50000	1	CARRIER ASSEMBLY *CARRIER ASSEMBLY IS COMPOSED OF CARRIER DRIVE FRAME, RIBBON BASE MECHANISM, RIBBON DRIVE, PRINTER HEAD & FRONT PLATE MECHANISM, CARRIER PCB ASSEMBLY

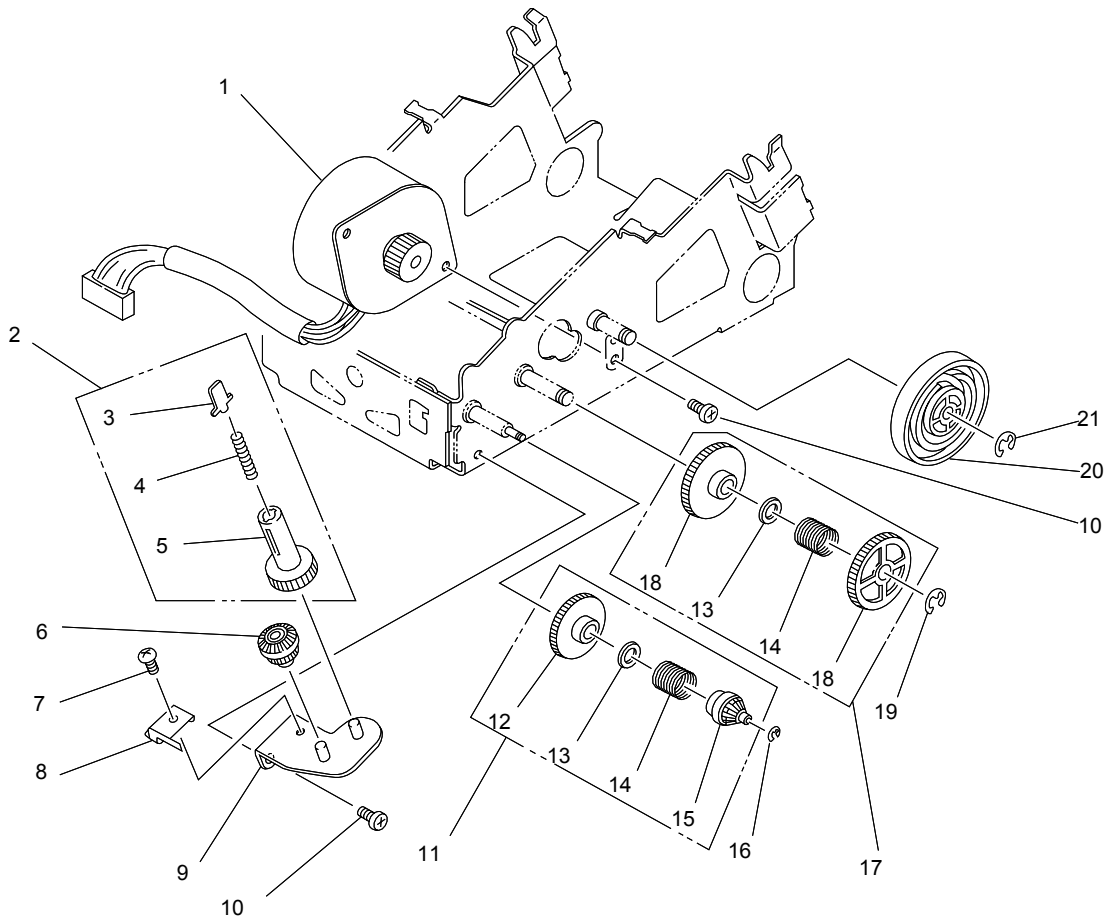


**FUNCTIONAL
GROUP NAME**

RIBBON BASE MECHANISM

MODEL AE-800

REF. NO.	PART CODE	Q'TY	DESCRIPTION
1	H00-55000-00-10	1 SET	RIBBON BASE ASSEMBLY
2	011-02020	3	RETAINING RING D=2
3	200-55030	2	CORRECT ROLLER
4	330-52041	1	CORRECT TAPE SPOOL
5	200-55160	1	BRAKE SPRING
6	011-02040	1	RETAINING RING D=3
7	H00-55090	1	BASE CENTER SHAFT
8	270-55220	2	CASSETTE BASE RUBBER
9	H00-55016-00-10	1	RIBBON BASE ASSEMBLY
10	270-55210	1	CAM FOLLOWER SPACER
11	011-19670	1	SPRING
12	200-55010	1	CAM FOLLOWER BRACKET
13	200-55020	1	CAM FOLLOWER PIN
14	H00-55110	1	RIBBON BASE COLLAR
15	H00-55190	1	BEN RETAINING RING
16	H00-55020	1	CORRECTION CENTER GEAR
17	011-05510	1	SPRING WASHER SW3
18	011-00010	1	SCREW M3.0 X 4
19	H00-55120	1	RETAINER CLUTCH
20	H00-55030	1	CORRECTION FEED GEAR
21	011-02010	1	RETAINING RING D=1.5
22	H00-55060	1	CORRECT FEED RINK
23	H00-55100	2	RIBBON BASE RUBBER
24	011-07530	1	WASHER 3 X 6 X 0.3
25	200-55060	1	CORRECT FEED PAWL
26	011-02030	1	RETAINING RING D=2.5
27	330-52030	1	CORRECT FEED RATCHET
28	H00-55040	1	FEED ARM
29	200-55070	1	SPRING
30	H00-55050	1	CORRECT RETAINER
31	H00-55070	1	RIBBON CASSETTE HOLDER
32	011-26121	1	PAPER BAIL SPRING
*	H00-50000	1 SET	CARRIER ASSEMBLY *CARRIER ASSEMBLY IS COMPOSED OF CARRIER DRIVE FRAME, RIBBON BASE MECHANISM, RIBBON DRIVE, PRINTER HEAD & FRONT PLATE MECHANISM, CARRIER PCB ASSEMBLY

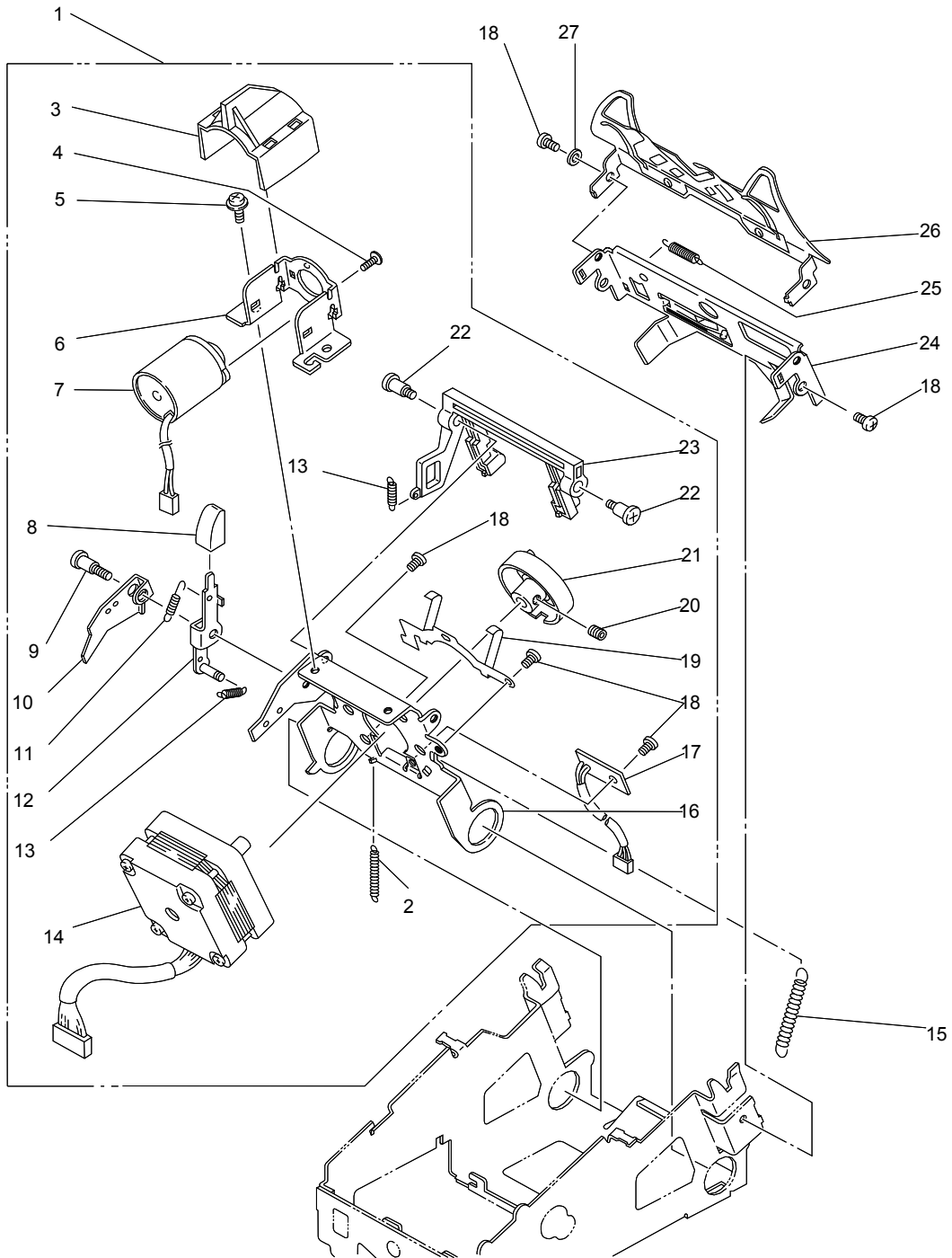


**FUNCTIONAL
GROUP NAME**

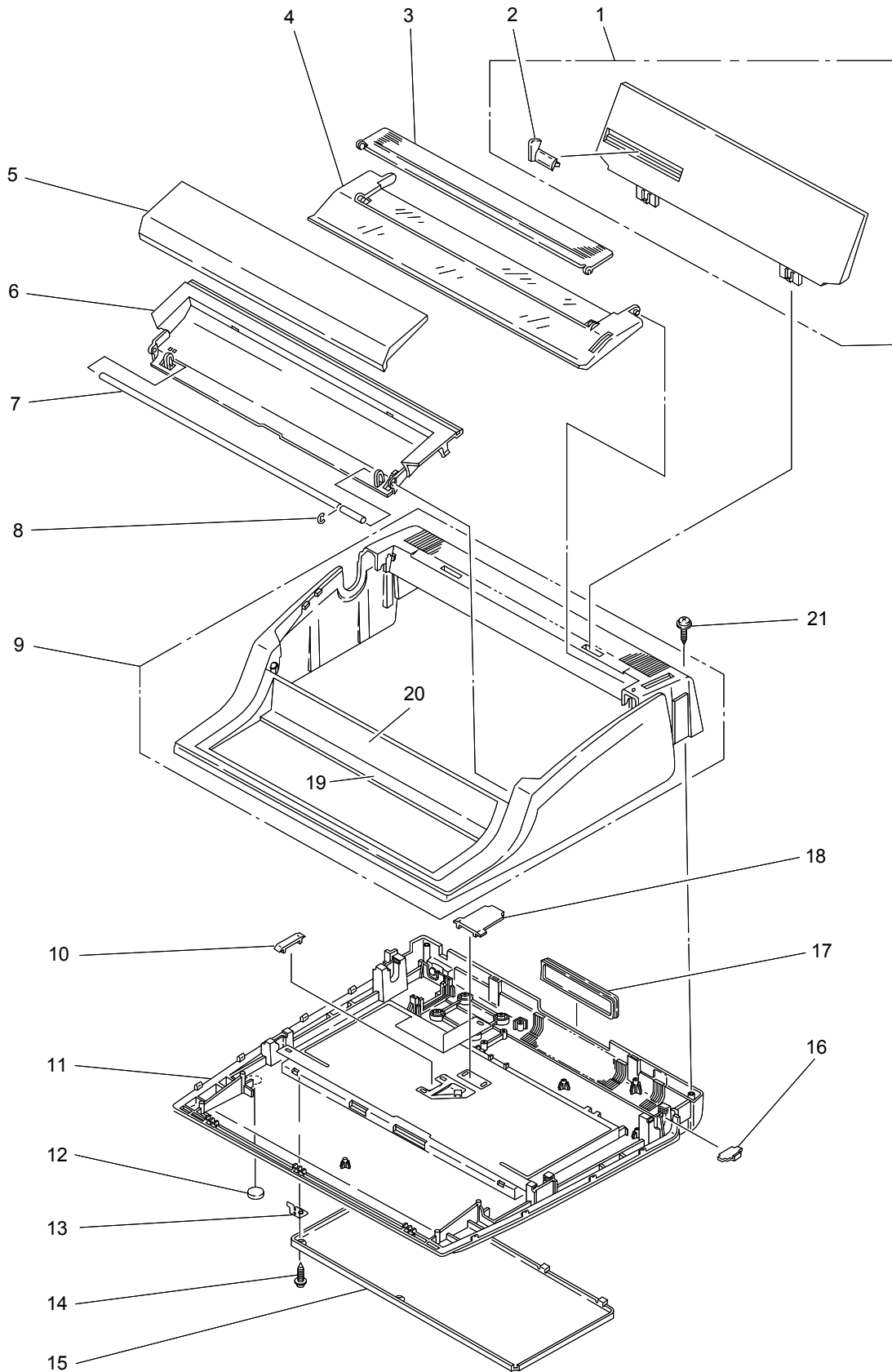
RIBBON DRIVE

MODEL AE-800

REF. NO.	PART CODE	Q'TY	DESCRIPTION
1	H00-51066-00-79	1	RIBBON MOTOR
2	H00-51145	1	RIBBON FEED STEM ASSEMBLY
3	H00-51150	1	RIBBON FEED PLATE
4	H00-51170	1	SPRING
5	H00-51140	1	RIBBON FEED STEM
6	H00-51110	1	RIBBON IDLER GEAR
7	301-00760	1	SCREW M2.6 X 4
8	H00-51200	1	RIBBON RETAINER
9	H00-51165	1	FEED GEAR PLATE ASSEMBLY
10	011-00010	3	SCREW M3.0 X 4
11	H00-51105	1	RIBBON CLUTCH GEAR ASSEMBLY
12	H00-51100	1	RIBBON CLUTCH GEAR
13	H00-51250	2	WASHER 4.5 X 8 X 0.5
14	H00-51130	2	SPRING
15	H00-51120	1	RIBBON CLUTCH IDLER GEAR
16	011-02010	1	RETAINING RING D=1.5
17	H00-51095	1	CORRECT CLUTCH GEAR ASSEMBLY
18	H00-51090	2	CORRECT CLUTCH GEAR
19	011-02040	1	RETAINING RING D=3
20	H00-51080	1	RIBBON LIFT CAM
21	011-02030	1	RETAINING RING D=2.5
*	H00-50000	1 SET	CARRIER ASSEMBLY *CARRIER ASSEMBLY IS COMPOSED OF CARRIER DRIVE FRAME, RIBBON BASE, MECHANISM, RIBBON DRIVE, PRINTER HEAD & FRONT PLATE MECHANISM, CARRIER PCB ASSEMBLY



FUNCTIONAL GROUP NAME		PRINTER HEAD & FRONT PLATE MECHANISM	MODEL AE-800
REF. NO.	PART CODE	Q'TY	DESCRIPTION
1	H00-53000-00-10	1 SET	SELECTION MOTOR BRACKET
2	H00-51271	1	SPRING
3	H00-54026	1	SOLENOID COVER ASSEMBLY
4	200-81020	2	SCREW M2.6 X 6
5	200-81060	2	SCREW M3.0 X 6
6	H00-54010	1	SOLENOID BRACKET
7	H00-54035-00-10	1	HAMMER SOLENOID
8	H00-53140	1	LEVER CAP
9	H00-53150	1	RELEASE LEVER SCREW
10	H00-53030	1	SET FINGER
11	H00-53090	1	SPRING
12	H00-53026	1	WHEEL RELEASE LEVER
13	011-16050	2	BACK SPRING
14	H03-53081	1	SELECTION MOTOR(SHINANOKENSHI)
15	011-18220	1	SPRING
16	H00-53011	1	SELECTION MOTOR BRACKET
17	H00-57545	1	SENSOR PCB ASSEMBLY
18	011-00010	9	SCREW M3.0 X 4
19	H00-53050	1	CASSETTE SET SPRING
20	011-00150	1	SCREW M4.0 X 4
21	H00-53065	1	WHEEL HOLDER ASSEMBLY
22	330-51850	2	SCREW A
23	H00-53041	1	EJECTOR
24	H00-52015	1	FRONT PLATE COMPLETE
25	011-11030	1	SPRING
26	H00-52035	1	LOCATOR ASSEMBLY
28	011-07520	2	WASHER 3 X 6 X 0.5
*	H00-50000	1 SET	CARRIER ASSEMBLY *CARRIER ASSEMBLY IS COMPOSED OF CARRIER DRIVE FRAME, RIBBON BASE MECHANISM, RIBBON DRIVE, PRINTER HEAD & FRONT PLATE MECHANISM, CARRIER PCB ASSEMBLY

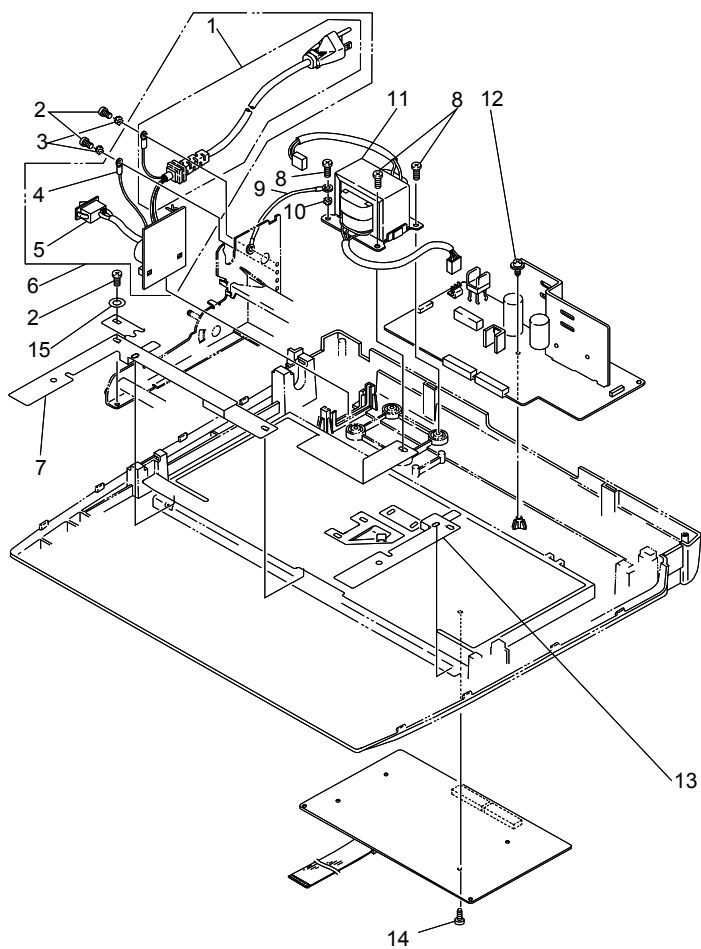


**FUNCTIONAL
GROUP NAME**

HOUSING

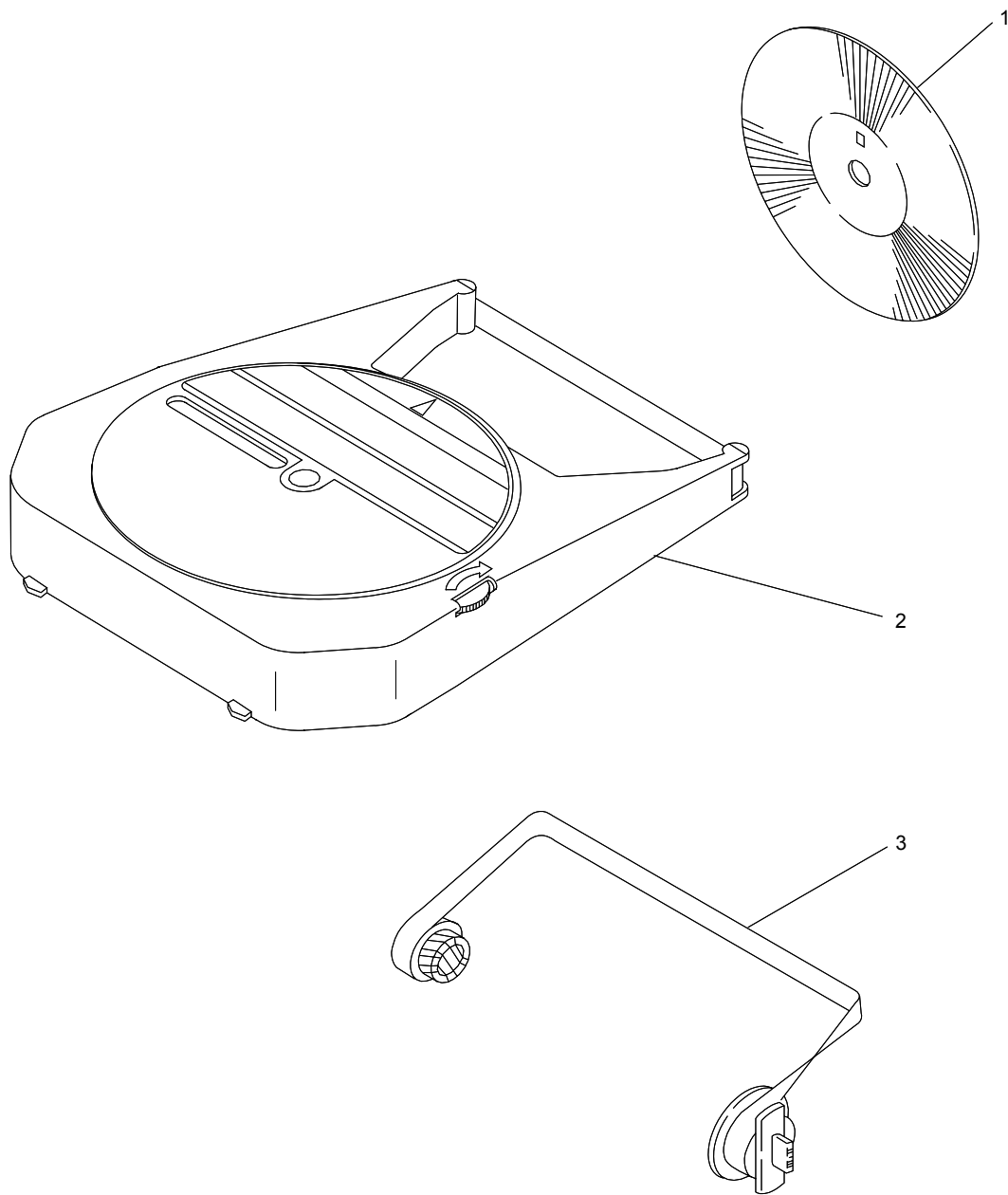
MODEL AE-800

REF. NO.	PART CODE	Q'TY	DESCRIPTION
1	400-70086-35	1	PAPER STAND
2	400-70411-35	1	PAPER GUIDE
3	400-70381-22	1	GLARE SHIELD
4	005-11500	1	NOISE COVER
5	H00-70050-19	1	LCD SPACER
6	005-54001	1	TOP COVER ASSEMBLY
7	H00-70090	1	TOP COVER SHAFT
8	011-02040	1	RETAINING RING D=3
9	005-62641	1	MAIN COVER ASSEMBLY 120V
FOR 9	001-20009	1	WARNING LABEL
	001-20242	1	FCC LABEL
	001-21650	1	LABEL : 120V
10	330-70050	1	WIRE CLAMP
11	005-75009	1	BOTTOM PAN ASSEMBLY 120V (INITIAL MODEL)
	005-75017	1	BOTTOM PAN ASSEMBLY 120V (SECOND MODEL)
12	H00-71030	4	RUBBER LEG
13	H00-71060	2	EARTH LEAD PLATE
14	330-00040	3	SCREW M3.0 X 12
15	H00-71020	1	PCB COVER
16	H00-61100	4	SIDE RUBBER BRACKET
17	H00-72020-22	1	CONNECTOR HOLDER
18	H00-71040	1	CABLE CLIP
19	H00-70170	1	FUNCTION SHEET
20	H00-70340	1	LOGO SHEET
21	880-90051	2	SCREW M3.0 X 16



**FUNCTIONAL
GROUP NAME****POWER SUPPLY****MODEL AE-800**

REF. NO.	PART CODE	Q'TY	DESCRIPTION
1	H00-21016-00-10	1	POWER SUPPLY 120V
2	H00-61050	4	POWER SUPPLY CORD FOR UL/CSA
3	531-00850	2	SCREW M3.5 X 6
4	H00-22016	1	TOOTH WASHER M3.5
5	H00-21036	1	FG LEAD ASSEMBLY
6	H00-22006	1	SWITCH ASSEMBLY
7	H00-74020	1	FILTER PCB ASSEMBLY FOR 120V
8	330-00320	4	SHIELD PLATE L
9	H00-23055	1	SCREW M4.0 X 10
10	011-07700	1	TRANS FG LEAD
11	H00-23010	1	TOOTH WASHER M4.0 X 10
12	500-85010	3	TRANSFORMER ASSEMBLY 120V
13	H00-74030	1	SCREW M3.0 X 8
14	330-00140	4	SHIELD PLATE R
15	011-07540	2	SCREW M3.0 X 8
			WASHER 3.5



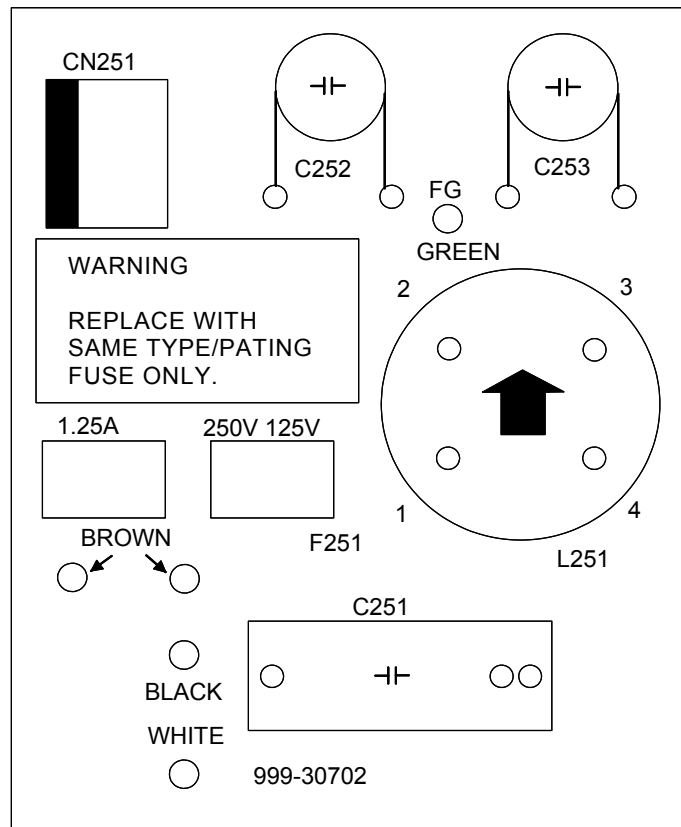
**FUNCTIONAL
GROUP NAME**

ACCESSORIES

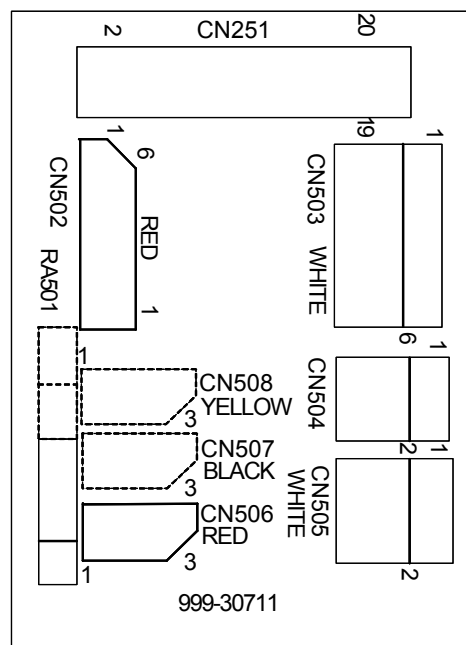
MODEL AE-800

REF. NO.	PART CODE	Q'TY	DESCRIPTION
1	*	1	PRINTWHEEL
2	H00-78100	1	CORRECTABLE RIBBON CASSETTE
3	330-75105-00-FL	1	LIFT-OFF CORRECTION TAPE

*PARTS WHICH HAVE THE PART
CODE PRINTED ON THE PART, OR
SEPARATELY INFORMED.



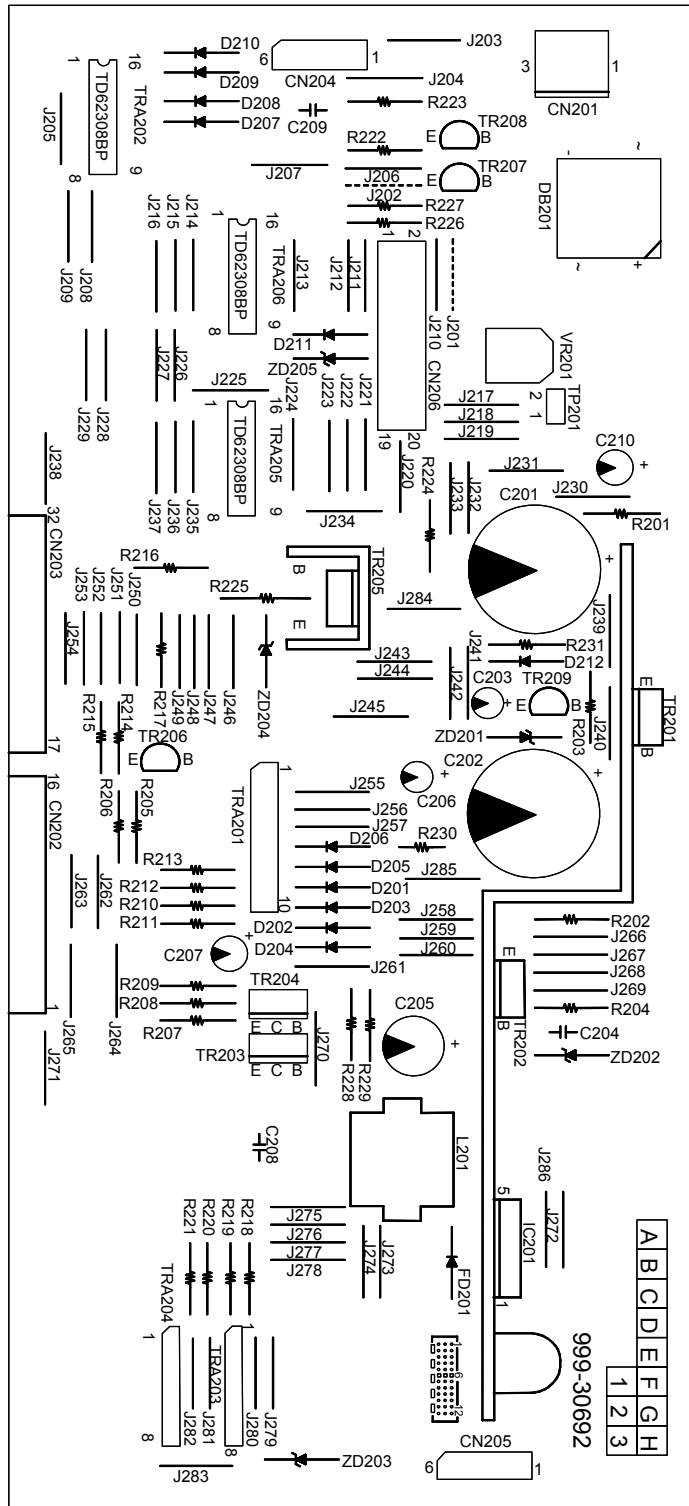
NOISE FILTER PCB



CARRIER PCB

FUNCTIONAL GROUP NAME		NOISE FILTER PCB & CARRIER PCB		MODEL AE-800
REF. NO.	PART CODE	Q'TY	DESCRIPTION	
ASS'Y	H00-22006	1	NOISE FILTER PCB ASSEMBLY FILTER PCB ASSEMBLY FOR 120V	
PCB	999-30702	1	NOISE FILTER PCB	
L251	999-05548	1	CHOCKING COIL (SC-20-10F)	
C251	999-02778	1	CAPACITOR 0.1UF 250V	
C252,253	999-02531-00-MU	2	CAPACITOR 4700PF 400V	
F251	998-05480	1	FUSE 1.25A 250V	
FOR F251	220-32280	2	FUSE CLIP	
CN251	999-04539	1	CONNECTOR 2 PINS	
	H00-21036	1	SWITCH ASSEMBLY	
ASS'Y	H00-57005	1	CARRIER PCB ASSEMBLY CARRIER PCB ASSEMBLY	
PCB	999-30711	1	CARRIER PCB	
CN501	H00-57015	1	CARRIER PCB CABLE ASSEMBLY	
CN502	220-32340	1	CONNECTOR 6 PINS RED	
CN503	999-04542	1	CONNECTOR 6 PINS WHITE	
CN504	999-04546	1	CONNECTOR 2 PINS	
CN505	999-04544	1	CONNECTOR 3 PINS WHITE	
CN506	999-04638	1	CONNECTOR 3 PINS RED	
RA501	999-02426-00-MU	1	RESISTOR ARRAY 330OHM X 4	
*	H00-50000	1	CARRIER ASSEMBLY CARRIER ASSEMBLY IS COMPOSED OF CARRIER DRIVE FRAME, RIBBON BASE MECHANISM, RIBBON DRIVE, PRINTER HEAD & FRONT PLATE MECHANISM, AND CARRIER PCB ASSEMBLY.	

FUNCTIONAL GROUP NAME		DRIVER PCB ASSEMBLY		MODEL AE-800
REF. NO.	PART CODE	Q'TY	DESCRIPTION	
ASS'Y	H00-20000	1 SET	DRIVER PCB ASSEMBLY	
PCB	999-30692-00-89	1	DRIVER PCB	
IC201	999-04013	1	REGULATOR STR20005 (SANKEN)	
FOR IC201	330-00240	1	SCREW M3.0 X 10	
	H00-20011	1	POWER COOLING PLATE	
	880-90170	1	SCREW M3.0 X 8	
DB201	330-21160	1	DIODE BRIDGE SAVB20 (SHINDENGEN)	
FOR DB201	220-32410	1	COOLING PLATE	
	H00-20020	1	SCREW M3.0 X 12	
TRA201	999-03408-00-10	1	TRANSISTOR ARRAY TH3J10 (SHINDENGEN)	
TRA202,205	999-03412-00-20	3	TRANSISTOR ARRAY M5248P (MITSUBISHI)	
206				
TRA203,204	999-03420	2	TRANSISTOR ARRAY M5269L (MITSUBISHI)	
TR201,202,205	999-03235	3	TRANSISTOR 2SD1785 (SANKEN)	
TR203,204	999-03200	2	TRANSISTOR 2SB938A (MATSUSHITA)	
TR206	330-30220	1	TRANSISTOR 2SA562 (TOSHIBA)	
TR207	330-30210	1	TRANSISTOR 2SC1815 (TOSHIBA)	
TR208,209	999-03233-00-12	2	TRANSISTOR 2SC3656AA (NEC)	
FOR201,202	330-00240	2	SCREW M3.0 X 10	
FOR TR205	501-70080	1	SCREW M3.0 X 10	
	338-30070	1	COOLING PLATE	
	011-03510	1	NUT M3	
	011-05510	1	WASHER 3	
ZD201	220-32100	1	ZENER DIODE HZ27-1 (HITACHI)	
ZD202	220-32110	1	ZENER DIODE HZ12B-2TD(HITACHI)	
ZD203-205	999-12917	3	ZENER DIODE 1AZ33 (TOSHIBA)	
D201-211	220-32090-00-30	11	DIODE S5566G (TOSHIBA)	
D212	998-05450	1	DIODE 1S2076A (HITACHI)	
FD201	999-02956	1	FAST RECOVERY DIODE ERB-32-02 (FUJI ELECTRONICS)	
L201	999-05545	1	CHOKING COIL CC400 (TDK)	

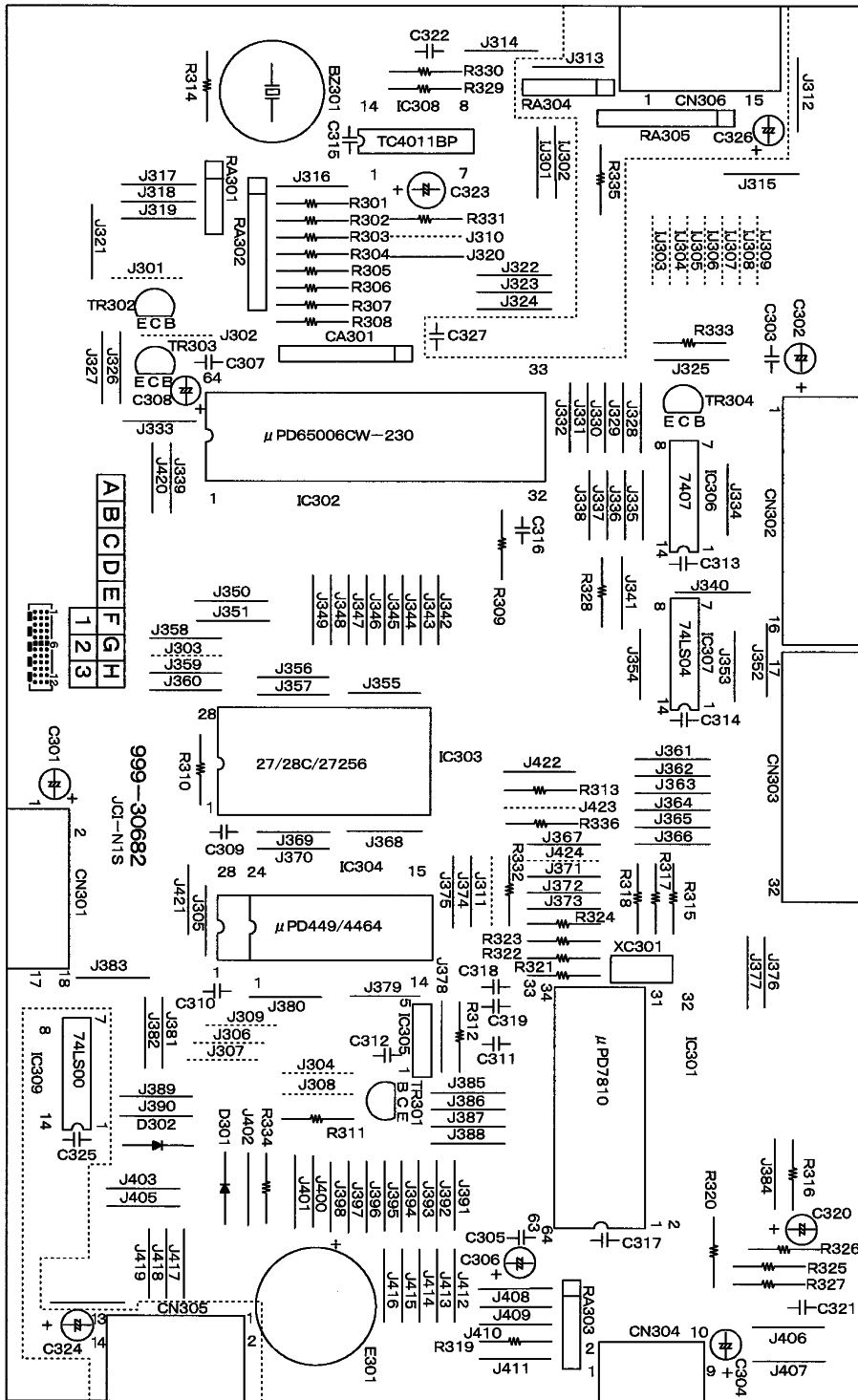


**FUNCTIONAL
GROUP NAME**

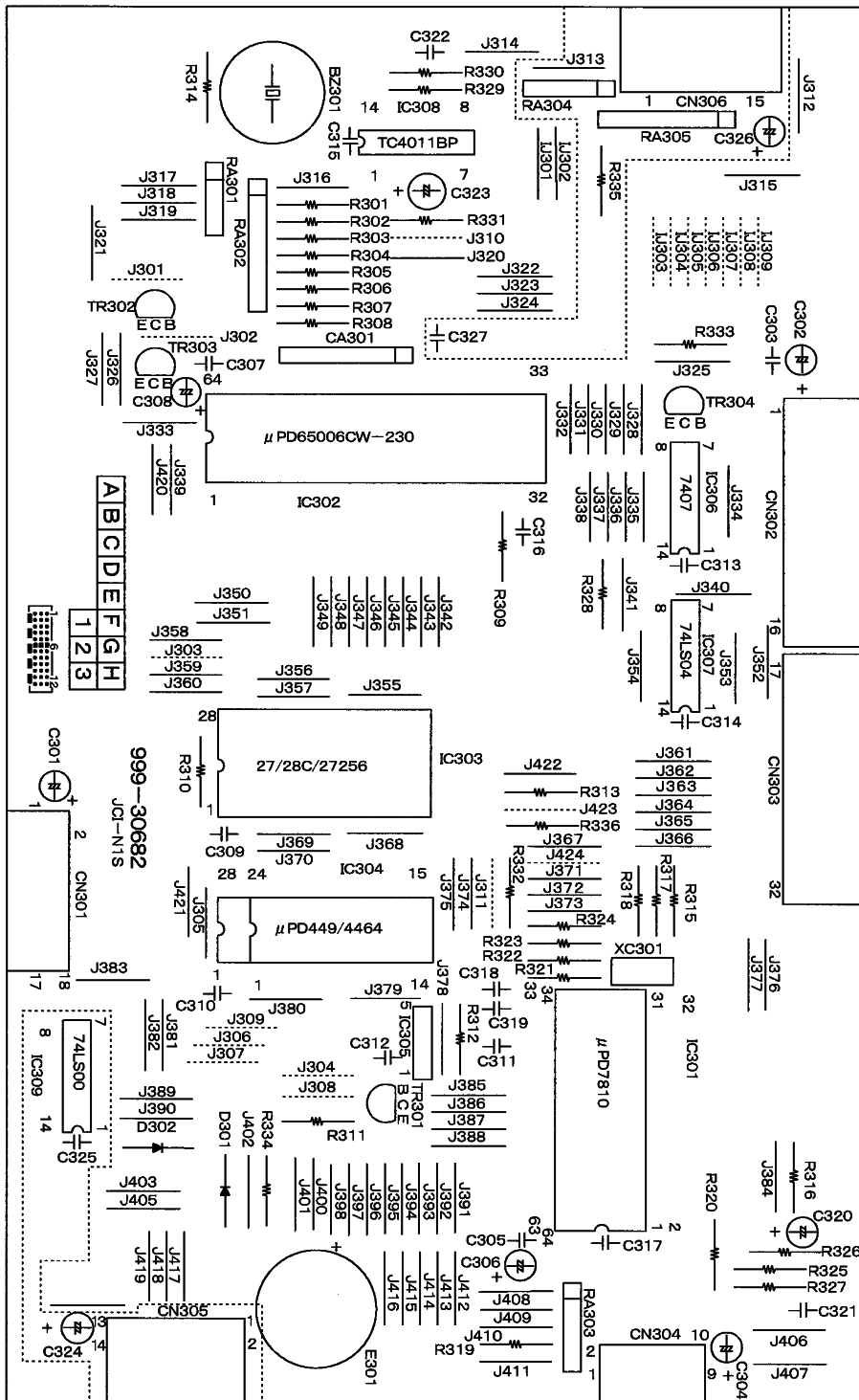
DRIVER PCB ASSEMBLY

MODEL AE-800

REF. NO.	PART CODE	Q'TY	DESCRIPTION
R201	999-00153-00-TA	1	RESISTOR 15KOHM 1/4W
R202	999-00562-00-TA	1	RESISTOR 5.6KOHM 1/4W
R203	999-02193	1	RESISTOR 3.3KOHM 0.5W
R204	330-22300-00-TA	1	RESISTOR 2.2KOHM 1/4W
R205,223 231	330-30440-00-TA	3	RESISTOR 10KOHM 1/4W
R206-213	330-30470-00-TA	8	RESISTOR 3KOHM 1/4W
R214-217	340-30481-00-TA	4	RESISTOR 5.1KOHM 1/4W
R222	999-00122-00-TA	1	RESISTOR 1.2KOHM 1/4W
R224	330-30550-00-TA	1	RESISTOR 2KOHM 1/4W
R228,229	650-31170-00-TA	2	RESISTOR 100OHM 1/4W
R226,227	650-31180-00-TA	2	RESISTOR 39KOHM 1/4W
R218,219, 220,221	330-31010-00-TA	4	RESISTOR 120OHM 1/4W
R225	999-02051	1	METAL FILM RESISTOR 0.47OHM 1W
R230	999-12009	1	RESISTOR 20OHM 2W
VR101	999-02013-00-20	1	VARIABLE RESISTOR 5KOHM
C201	999-02731	1	CAPACITOR 3300UF 50V
C202	998-30260	1	CAPACITOR 4700UF 35V
C203	220-31150	1	CAPACITOR 10UF 35V
C205	999-02713	1	CAPACITOR 1000UF 10V
C206	340-30630-00-RU	1	CAPACITOR 47UF 16V
C207,210	998-30270	2	CAPACITOR 47UF 50V
C204	999-12728	1	CAPACITOR 0.01UF 50V
C208	999-12738-00-10	1	CAPACITOR 0.1UF 50V
C209	999-12513-00-MU	1	CAPACITOR 1000UF 50V
CN201	999-04535	1	CONNECTOR 3 PINS
CN202,203	999-04657	2	CONNECTOR 16 PINS
CN204	220-32340	1	CONNECTOR 6 PINS RED
CN205	220-32330	1	CONNECTOR 6 PINS WHITE
CN206	330-30750	1	CONNECTOR 20 PINS
TP201	999-04658	1	CONNECTOR 2PINS



FUNCTIONAL GROUP NAME		CONTROL PCB FOR INITIAL MODELS		MODEL AE-800
REF. NO.	PART CODE	Q'TY	DESCRIPTION	
ASS'Y	H00-30100	1 SET	CONTROL PCB ASSEMBLY C-1	
PCB	999-30682	1	CONTROL PCB	
IC301	999-03641	1	N-MOS CPU UPD7810HG (NEC)	
IC302	999-03696	1	GATE ARRAY UPD65006CW-230 (NEC)	
IC303		1	EP ROM (SEE EP ROM NO. LIST)	
FOR IC303	220-31240-00-50	1	IC SOCKET 28 PINS	
IC304	998-04460	1	S RAM LC3564PL-10 (SANYO)	
IC305	999-04015	1	RESET IC M51953BL (MITSUBISHI)	
IC306	220-31040-00-70	1	TTL BUFFER SN7407N (TI)	
IC307	650-31070-00-70	1	TTL SN74LS04N (TI)	
IC308	330-30170-00-10	1	CMOS UPD4011BC (NEC)	
IC302,303, 304	999-03233-00-12	3	TRANSISTOR 2SC3656AA (SANYO)	
D301,302	998-05450	2	DIODE 1S2076A (HITACHI)	
XC301	999-05615-00-MU	1	CERAMIC RESONATOR 7.373MHZ	
BZ301	999-05541-00-10	1	BEEPER PS1740PO2 (TDK)	
E301	999-05649-00-30	1	BATTERY 180MAH 3V	
RA301	999-02404-00-20	1	RESISTOR ARRAY 5.1KOHM X 4	
RA302	999-02427	1	RESISTOR ARRAY 15KOHM X 8	
RA303,304	355-32100-00-20	2	RESISTOR ARRAY 5.1KOHM X 5	
RA305	355-32110-00-20	1	RESISTOR ARRAY 5.1KOHM X 8	
R301-308, 316,319, 321,322, 324,335	650-31170-00-TA	14	RESISTOR 100OHM 1/4W	
R309,310, 313-315, 317,318, 320,325, 332,333, 336 327,328	330-30440-00-TA	14	RESISTOR 10KOHM 1/4W	
R312	340-30481-00-TA	1	RESISTOR 5.1KOHM 1/4W	
R323	330-30420-00-TA	1	RESISTOR 51KOHM 1/4W	
R326	330-30490-00-TA	1	RESISTOR 470OHM 1/4W	
R329	330-30450-00-TA	1	RESISTOR 1MOHM 1/4W	
R330	650-31180-00-TA	1	RESISTOR 39KOHM 1/4W	
R331	330-22300-00-TA	1	RESISTOR 2.2KOHM 1/4W	
R334	999-00122-00-TA	1	RESISTOR 1.2KOHM 1/4W	

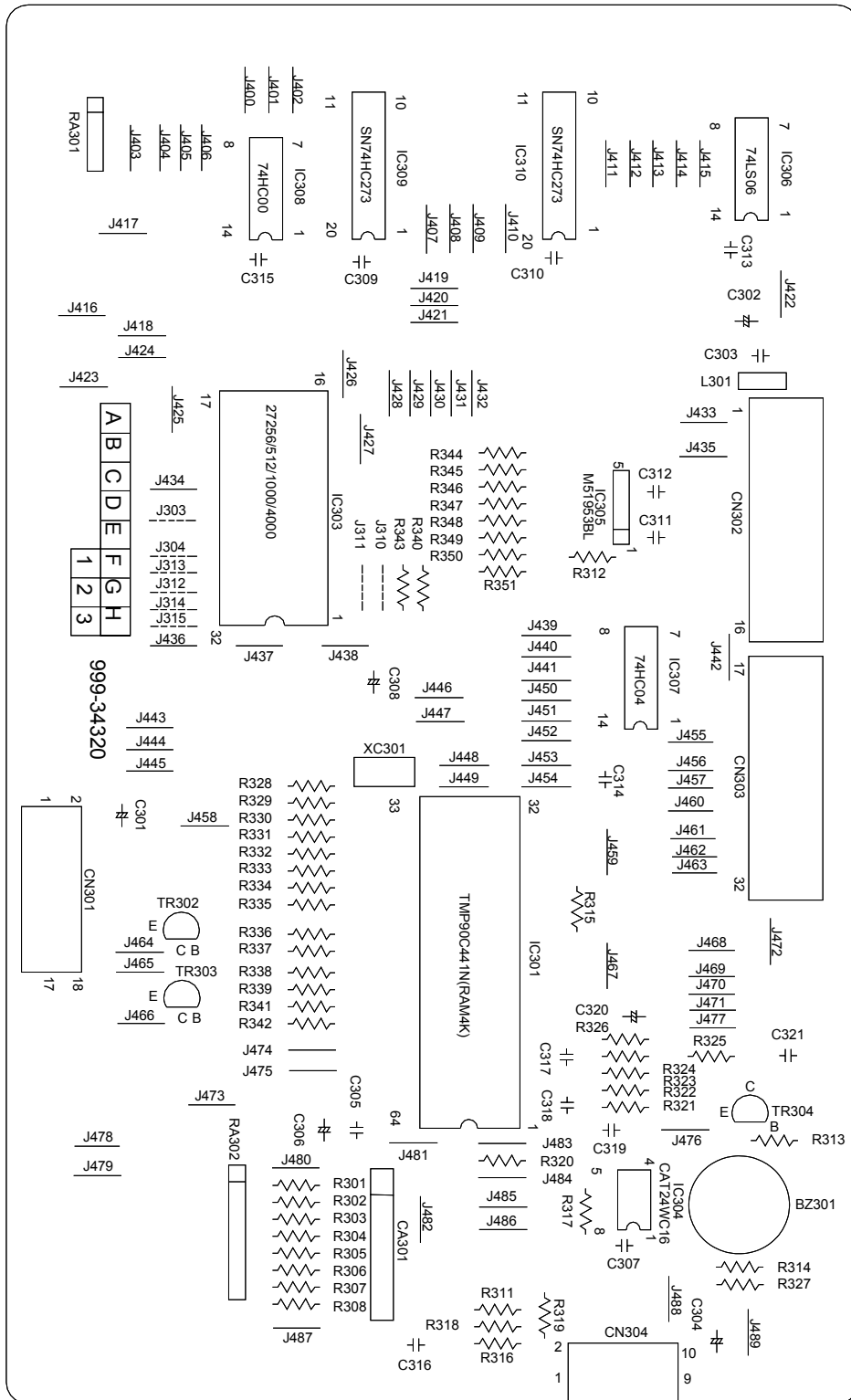


**FUNCTIONAL
GROUP NAME**

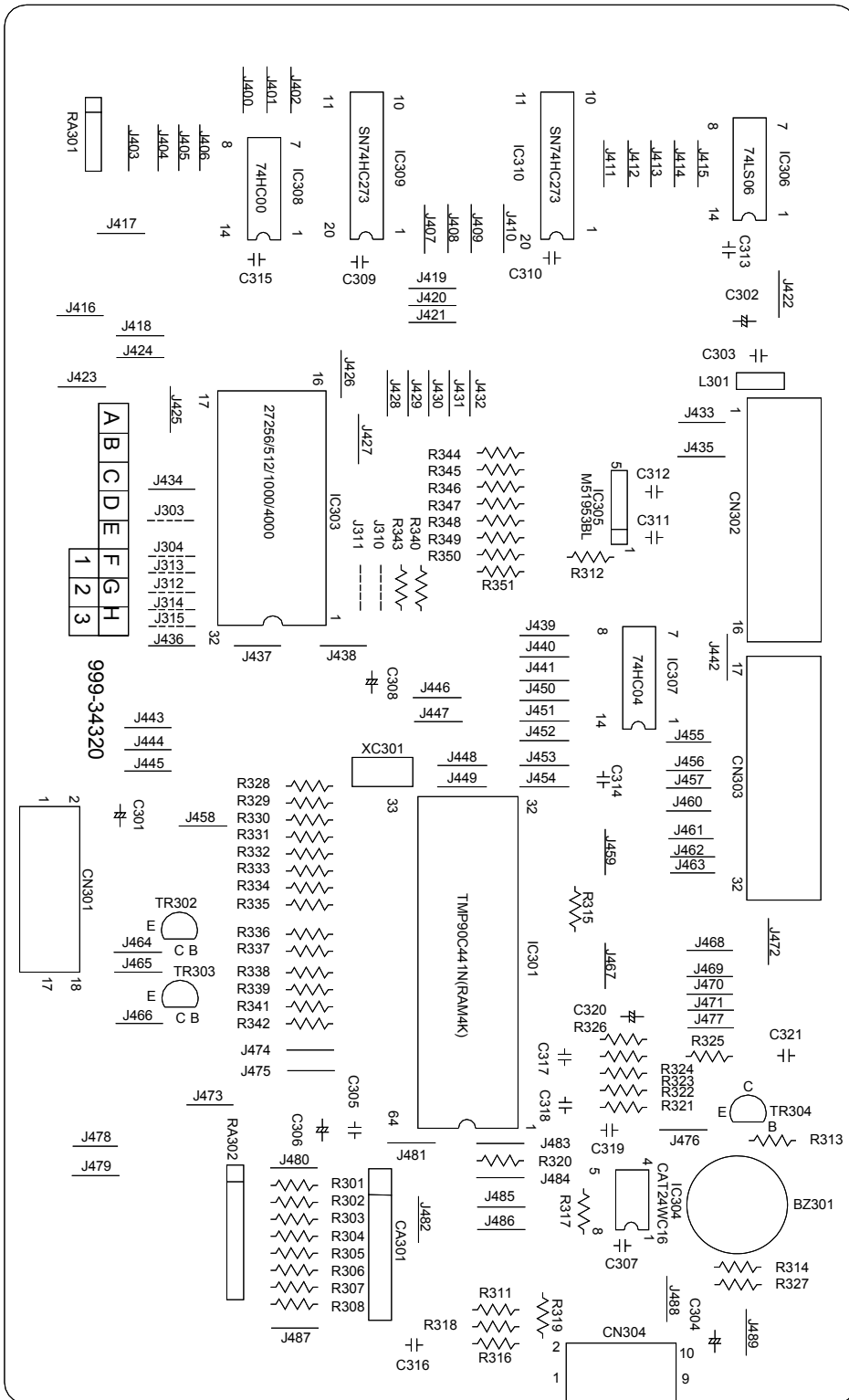
**CONTROL PCB FOR
INITIAL MODELS**

MODEL AE-800

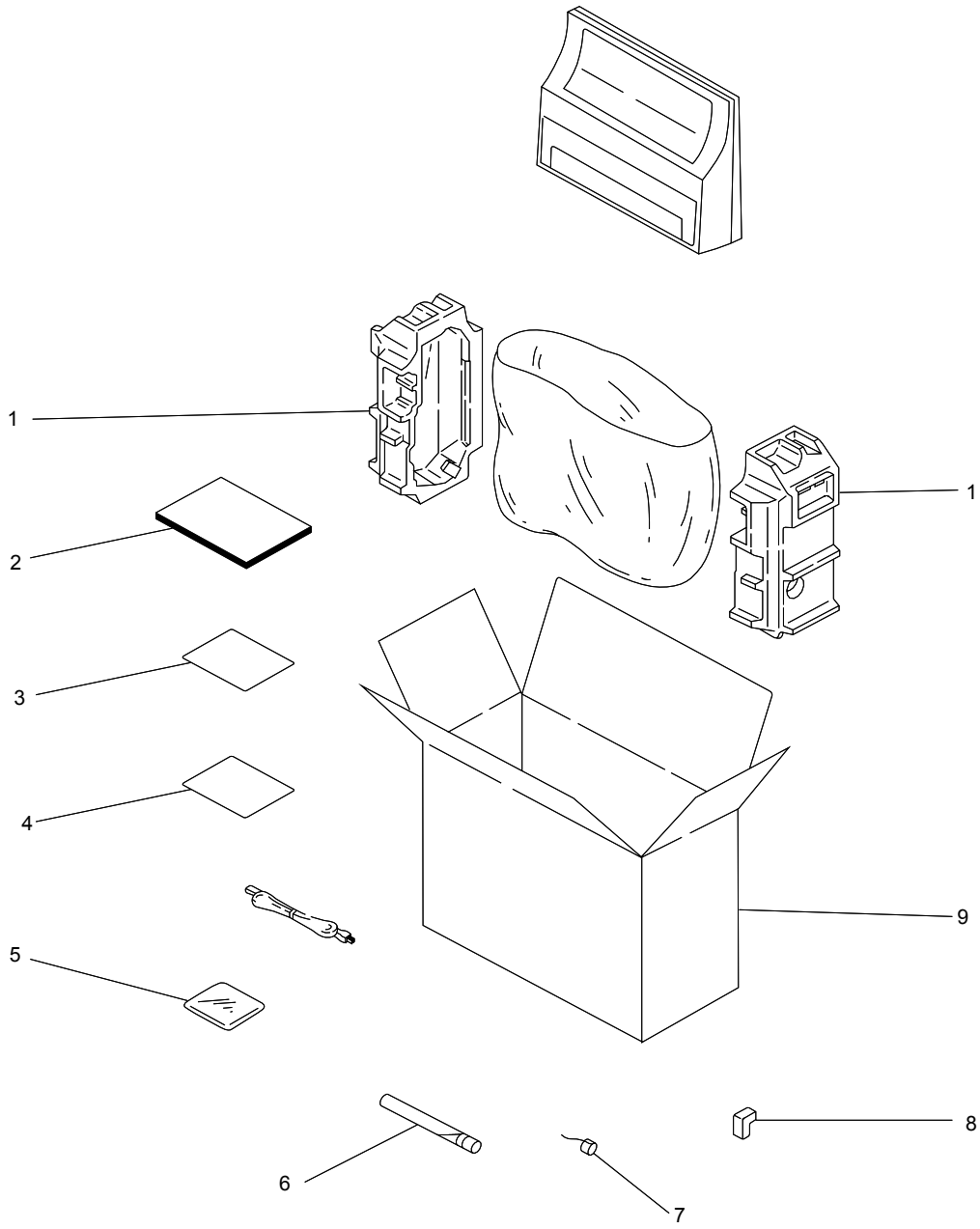
REF. NO.	PART CODE	Q'TY	DESCRIPTION
C301,304 306,308	999-02791-00-30	4	CAPACITOR 10UF 16V
C302,323	999-02790-00-30	2	CAPACITOR 47UF 10V
C320	330-30610-00-15	1	CAPACITOR 1UF 16V
C321	999-12738-00-10	1	CAPACITOR 0.1UF 50V
C316-319	650-31280-00-MU	5	CAPACITOR 100PF 50V
C322	340-30640-00-MU	1	CAPACITOR 2200PF 50V
C312	999-12540-00-MU	1	CAPACITOR 0.22UF 50V
C303,305, 307,326 309-311, 313-315	999-12502-00-MU	1	CAPACITOR 47000PF 25V
CA301	999-02705-00-MU	1	CAPACITOR ARRAY 100PF X 8 50V
CN301	999-04659	1	CONNECTOR 18 PINS
CN302,303	999-04660	2	CONNECTOR 16 PINS
CN304	999-04667	1	CONNECTOR 10 PINS
CN306	999-04706	1	CONNECTOR 16 PINS
	H00-41010	1	KEYBOARD CABLE
			EP ROM NO. LIST
	RQ-05114	1	USA
	RQ-04754	1	HISPANO 3
	RQ-05024	1	NEW CANADIAN-FRENCH



	FUNCTIONAL GROUP NAME	CONTROL PCB FOR SECOND MODELS	MODEL AE-800
REF. NO.	PART CODE	Q'TY	DESCRIPTION
ASS'Y	H00-35200	1 SET	CONTROL PCB ASSEMBLY B-1 (EP ROM 256K BIT)
PCB	999-34320	1	CONTROL PCB
IC301	998-36020	1	CPU TMP90C441N (TOSHIBA)
IC303	*	1	EP ROM (SEE EP ROM NO. LIST)
FOR IC303	220-31240-00-50	1	IC SOCKET 28 PINS
IC304	998-35990	1	EEPROM CAT24WC16P (CATALYST)
	998-36030	1	EEPROM 24C16B/P (MICROCHIP)
IC305	999-04015	1	RESET IC M51953BL (MITSUBISHI)
IC306	999-03812	1	TTL 74LS06
IC307	999-03664	1	CMOS INVERTER 74HC04
IC308	999-03663	1	CMOS NAND GATE (74HC00)
IC310,309	998-11060	2	CMOS FLIP-FLOPS HD74HC273 HITACHI
		2	CMOS SN74HC273 (TI)
TR302,303, 304	999-03233	3	TRANSISTOR AA1A4M (NEC)
		3	TRANSISTOR 2SC3656 (SANYO)
XC301	999-05702	1	CERAMIC RESONATOR 10.0MHZ
BZ301	999-05541	1	BUZZER
L301	998-09290	1	INDUCTOR BL03RN2-R62
RA301	999-02404	1	RESISTOR ARRAY 5.1KOHM X 4
RA302	999-02427-00-20	1	RESISTOR ARRAY 15KOHM X 8
R301-308, 316,321- 324,328- 351	650-31170-00-TA	36	RESISTOR 100OHM 1/4W
R312,319	340-30481-00-TA	2	RESISTOR 5.1KOHM 1/4W
R311,313- 315,317, 318,320, 325,327	330-30440-00-TA	9	RESISTOR 10KOHM 1/4W
R323	330-30420-00-TA	1	RESISTOR 51KOHM 1/4W
R326	330-30490-00-TA	1	RESISTOR 470OHM 1/4W



FUNCTIONAL GROUP NAME		CONTROL PCB FOR SECOND MODELS		MODEL AE-800
REF. NO.	PART CODE	Q'TY	DESCRIPTION	
C301,304 306,308	999-02791	4	CAPACITOR 10UF 16V	
C302	999-02790	1	CAPACITOR 47UF 10V	
	998-05100	1		
C303,305, 307,309- 311,313- 315	999-12502-00-MU	9	CAPACITOR 4700PF 25V	
C312	999-12540-00-MU	1	CAPACITOR 0.22UF 50V	
C316-319	650-31280	4	CAPACITOR 100PF 50V	
C320	330-30610-00-10	1	CAPACITOR 1UF 16V	
C321	999-12738	1	CAPACITOR 0.1UF 50V	
CA301	999-02705-00-MU	1	CAPACITOR ARRAY 100PF X 8 50V	
CN301	999-04659	1	CONNECTOR 18 PINS	
CN302,303	999-04660	2	CONNECTOR 16 PINS	
CN304	999-04667	1	CONNECTOR 10 PINS	
J400-489	003-30030	9	JUMPER WIRE	
J304,311, 312		3	B-1 ASSY	
IC303	RQ-05711	1	EP ROM NO. LIST USA	
	RQ-05751	1	HISPANO 3	
	RQ-05741	1	NEW CANADIAN-FRENCH	
FOR CN301	H00-41010	1	KEYBOARD CABLE	



**FUNCTIONAL
GROUP NAME****PACKING****MODEL AE-800**

REF. NO.	PART CODE	Q'TY	DESCRIPTION
1	001-93700	1 SET	SIDE PACKING SET (RIGHT & LEFT)
2	001-01615	1	INSTRUCTION MANUAL ENGLISH
	001-01696	1	INSTRUCTION MANUAL FRENCH
	001-02420	1	INSTRUCTION MANUAL HISPANO 3 INITIAL MODELS
	001-02559	1	INSTRUCTION MANUAL ENGLISH
	001-02563	1	INSTRUCTION MANUAL HISPANO 3 SECOND MODELS
3	001-01657	1	UNPACKING INSTRUCTION
4	001-02573	1	WARRANTY SHEET
5	H00-72110	1	DUST COVER
6	H00-80020	1	CARRIER PROTECTOR (LARGE)
7	H00-80035	1	CARRIER PROTECTOR (SHORT)
8	H00-80010	1	HEAD PACKING
9	001-61970	1	CARTON BOX

Printed in Japan
001-03164-03
041130
AE-800NU