



**From start
to finish,
we're here
when you
need us.**



**Phone (800) 328-0953
Fax (800) 334-8823
www.reeseusa.com
info@reeseusa.com**

Table of Contents

GENERAL INFO 2-7

Table of Contents.....2
 Product Index.....3
 Technical Info.....4
 Fire Rating List.....5
 Smoke Draft/Edge Seal.....6
 Air Filtration/STC.....7

THRESHOLDS..... 8-22

Saddle8-13
 Offset 11
 Stainless Steel 11
 Fiberglass 11
 Thermal Break12-13
 Offset Thermal Break..... 13
 Beveled Alum. Plates..... 13
 Half Saddle.....14-15
 Panic15-18
 Offset Panic 15
 Panic.....16-17
 Offset Thermal Break Panic..... 17
 Thermal Break Panic 18
 Interlock Threshold..... 19
 Assembly Component20
 Ramps.....21
 Carpet & Flooring Transitions22
 Surface Applied Stop Strips22
 Vinyl Top Thresholds22

WEATHERSTRIPPING 23-35

Perimeter Strips23-35
 Polyurethane..... 23
 Polyprene..... 24
 Silicone 24
 Neoprene 25
 Vinyl and Pile 26
 Brush30-31
 Magnetic 35
 Interlocking 35
 Spring Bronze 35
 Hardware Compatible 27
 Adjustable Door Stops 28
 Self-Adhesive 29
 Edge Sealing 29
 Astragal32-34
 Adjustable32-33
 Meeting Stile33-34
 Magnetic 34

DOOR BOTTOMS 36-40

Sweeps 36
 Door Shoes/Extenders 37
 Automatic Door Bottoms38-39
 Rain Drips 40

NEW

HOSPITALITY PRODUCTS .. 41-43

Vinyl Thresholds..... 41
 Weatherstripping 42
 Automatic Door Bottoms 42
 Dark-AN Door Bottoms 43

Index by Product Number

1-99

Product #	Page
E1	20, 22
TS1V	20, 22
E2	20, 22
TS2	20
DKB3	35
TJ3	19
S4L	9
TL4	19
HD5	9
CP6	42
TMR8	21
TMR14	21
BAP14	13
M15	36
BAP18	13
33	28
M35	33, 36
39	25
T040	19
49	25
59	28
DS62	26
DS63	26
64	32
DS69	25
DS70	25
DS75	26, 33
DS76	25
DS77	25
DS78	25
DS79	25
86	32
87	33
91	32
92	33
93	32
95	26, 34
99	28

100

Product #	Page
103	33
S104	9
S105	9
DS106	26
126	32
128	26
129	26, 33
T130B	19
132	35
133	32, 35
V138	22
T150	19
183	32
184	33
195	34
R199	40

200

Product #	Page
R201	40
202	35, 40
203	19, 32, 35, 40
S204	9
S205	10
S206	10
S207	10
S211	9
S225	8
232	20
233	20
234	20
235	20
236	20
237	20
238	20
S239	15
S243	15
S245	15
S247	20
S248	17
S249	14
S252	19
S255	17
S256	17
S257	16
S258	17
260	20, 22
261	20, 22
262	20
S263	8
S266	22
276	33
277	20
278	20
279	20
280	20
S281	18
S282	12
S283	14
S284	14
S285	14

300

Product #	Page
V300	22
V301	22
320	38, 42
321	38
323	25, 36
330	38
340	35
350	35
353	40
354	40
362	36
364SS	25
370	39, 42
372	39
373SS	25
377	36
399	28

400

Product #	Page
S404	8
S405	8
S406	8
S407	8
S408	8
S411	21
S412	21
S424	9
S425	10
S426	10
S427	10
S428	10
430	39
437	20
S439	14
DB469	36
S470	14
S471	12
S472	12
S473	12
S474	18
S475	12
S476	18
S478	12
S479	12
480	20, 21, 22
S481	13
S482	14
S483	16
S484	16
S485	16
S486	16
S487	16
S488	16
S489	15
S490	15
S498	18

500

Product #	Page
S500	18
S501	18
S502	18
S512	11
S514	11
521	38, 42
544	22
548	22
T550	19
551	22
FBR555	11
S563	22
S565	22
S567	13
S568	17
S569	13
S570	13
S571	13
574	35
588	29
DB590	37
DB591	32, 37
DB592	37, 40
DB593	37
DB594	37
DB595	37, 40

DB596	37
DB597	37, 40
S598	17
599	28

600

Product #	Page
DB600	37
602	25, 36
603	36
608	29
612	24
619	24
628	29
629	29
631	29
632	29
633	28
638	24, 29, 42
653	27
655	27
657	27
659	28
669	24
678	24, 33
688	24

700

Product #	Page
701	23, 36
S714	11
754	27
755	27
756	27
757	27
758	27
759	27
769	23
770	23
772	23, 36
773	23, 36
775	27
778	23
779	23
786	23, 32
788	23
792	24, 29, 32, 42
793	24, 29, 42
795	23
797	24, 29, 42
798	24, 29, 42

800

Product #	Page
S803	8
804	26, 33
805	36
806	36
807	26, 33
810	36
S814	14
815	24
818	24
822	26
825	36

854	27
855	20, 22, 27
856	27
858	27
859	27
863	26
875	27
884	26
888	26

900

Product #	Page
918	30
933	38
934	30
943	39
954	31, 34
955	31, 34
956	30
958	31
959	31, 33
960	30
961	31
962	30
963	30
964	30, 31, 33
965	30
966	31
967	30, 31, 33
968	30
969	31
970	30
971	31
973	30
977	30
978	30
979	30
984	31
985	31
986	31

1000

Product #	Page
1010	41
1011	41
1012	41
1013	41
1020	41
1021	41
1030	43
1031	43
1032	43
1033	43

2000

Product #	Page
S2048	9
S2058	10
2124	11
2125	11
2144	11
2145	11

GENERAL INFORMATION

All Reese products comply with the Buy American Act (BAA) and the American Reinvestment and Recovery Act (ARRA).



FIRE RATED — UL10B Tested. See page 5.



POSITIVE PRESSURE — UL10C Positive Pressure Test. See page 5.



SMOKE AND DRAFT CONTROL TEST — Category H Listed, UL-1784. For use on “S” labeled doors. See page 6.



SOUND TEST — ASTM standard E90-75. See page 7.



AIR INFILTRATION TEST — E283-73 AND SDI 116 Air. See page 7.



EDGE SEAL TESTED — UL10C Category G. See page 29.



ADA COMPLIANT THRESHOLDS — These thresholds have less than 1/4” vertical rise, beveled rise slope no greater than 1:2 up to 1/2”, and ramps with slope less than 1:12. They meet ANSI spec. A117.1.

MATERIAL DESIGNATIONS

A – Mill finish aluminum

B – Architectural brass

BLK – Black anodized aluminum

C – Clear anodized aluminum

D – Dark bronze anodized aluminum

G – Gold anodized

SS – Stainless steel

V – Vinyl insert

N – Neoprene insert

U – Polyurethane insert

P – Pile insert

PR – Polypropylene insert

S – Silicone insert

Material Finishes

Aluminum extrusions shown are alloy 6063-T5. They are available in mill finish, clear, gold and duranodic bronze finish as noted.

Bronze extrusions are alloy 385 architectural bronze. They are furnished in mill finish, which is a light brass color.

Spring bronze weatherstrips are roll-formed from 85/15 red brass strip.

All vinyl weatherstrips are extruded from “cold weather” vinyl, which remains flexible down to -30°F and is in compliance with commercial standard CS230-60, as published by the U.S. Department of Commerce and ASTM D-2287-81.

Polyurethane is an ether-based elastomeric thermoplastic, resin especially developed for low temperature flexibility, abrasion resistance and durability. See page 23 for more attributes.

All expanded (sponge) neoprene is closed cell, and extruded with a tough outer skin for extra abrasion resistance or slitted without outer skin. It is black in color for maximum weatherability. See page 25 for more attributes.

Silicone rubber is a synthetic polymer able to withstand a wide range of temperature extremes. See page 24 for more attributes.

Polypropylene is a thermoplastic rubber compound developed by Reese that has excellent low temperature flexibility and weather resisting qualities. See page 24 for more attributes.

c/c — Code Acceptability, Certification

All Reese products are guaranteed for two years against defects in material or workmanship. Defective goods will be replaced or repaired, at our option. No claims for damage incurred or work done thereon will be allowed. Reese does not assume liability for consequential damages or delays, and claims for labor will not be allowed.

pp — Product Presentations

Product drawings in this catalog are full size cross-section profiles, unless noted, and are designed to illustrate the uses and applications of the products. Dimensions not shown may be obtained by scaling the drawings. Catalog illustrations are sufficiently accurate to use as templates.

a/c — Availability, Costs

All products in this catalog are stocked for prompt shipment at our Rosemount, Minnesota plant. Catalogs and price lists are available from our plant.

STANDARD SCREWS FURNISHED WITH THRESHOLDS: No. 10 Phillips Flat Head Wood Screws in appropriate length.

STANDARD SCREWS FURNISHED WITH WEATHERSTRIP: 6 x 5/8” pan screws (furnished for most weatherstrips)

Fire Rated Weatherstrips and Thresholds

All fire rated weatherstrips and thresholds listed on this page have been tested and have pass **THE POSITIVE PRESSURE REQUIREMENTS UL10C AND MEETS CAN4-S104-2010. CATEGORY J LISTED GASKETING.** UL rated materials cover the fire test of door assemblies for **UL10B.**



The "F" prefix designates that the product has been fire tested and that each piece has the UL label attached*. Materials are not shipped with the UL label unless specified by ordering with the prefix "F-".

*Fire rated labels at no extra charge

WEATHERSTRIPS

<u>Adjustable Door Stop</u>	33, 59, 95, 99, 399, 599, 633, 659	Drawing on Page 28
<u>Astragal</u>	M35, DS75, 92, 93, 95P, 95V, 103, 129P, 129V, 203, 276, 678, 688, 792, 804, 807, 954, 955, 959, 961, 964, 967	Drawing on Page 32
<u>Hardware Compatible Perimeter Gasket</u>	653, 655, 657, 754, 755, 757, 758, 759, 775, 786, 854, 855, 856, 858, 859, 875	Drawing on Page 27
<u>Perimeter Seal</u>	39, 49, DS62, DS63, DS69, DS70, DS75, DS76, DS77, DS78, DS79, 93, DS106, 128V, 129P, 129V, 364, 373, 612, 619, 669, 678, 688, 769, 770, 778, 779, 788, 795, 804, 807, 815, 818, 822, 863, 884, 888, 918, 934, 954, 955, 956, 958, 959, 961, 962, 964, 965, 967, 968, 970, 973	Drawing on Page 23
<u>Self-Adhesive Weatherstrip</u>	588, 608, 628, 629, 631, 632, 638, 793, 797, 798	Drawing on Page 29

DOOR BOTTOMS

<u>Automatic Door Bottom</u>	320, 321, 330, 370, 372, 430, 521, 933, 934	Drawing on Page 38
<u>Door Shoe/Extender</u>	DB591F, DB591U, DB592F, DB592U, DB593F, DB593U, DB594F, DB594U, DB595F, DB595U, DB596F, DB596U, DB600F, DB600U, 1030, 1031, 1032, 1033	Drawing on Page 37
<u>Door Sweep</u>	M15, M35, 64, 323, 353, 354, 362, 377, DB469, 602, 603, 701, 772, 773, 805, 806, 810, 825 954, 955, 960, 962, 963, 964, 965, 966, 967, 968, 969, 970, 971, 973, 977, 978, 979, 984, 985, 986	Drawing on Page 36 Drawing on Page 30

THRESHOLDS

<u>All Aluminum, Brass, and Stainless-Steel</u>	Drawing on Page 8-22
<u>Hospitality Thresholds</u>	Drawing on Page 41

UL 10 C – Category J Listed

Intended for application to/with listed steel frames and/or classified hollow metal or steel covered composite type fire doors rated up to 3 hours; wood composite and plastic covered type fire doors rated up to 1-1/2 hours; and wood core type 20 minutes.

UL 10 B

Intended for application to/with listed steel frames and/or classified hollow metal or steel covered composite type fire doors rated up to 3 hours; wood composite type fire doors rated up to 1-1/2 hours; and wood core type 20 minutes w/o hose stream.

Smoke and Draft Control Gasketing

For Use on ‘S’ Labeled Doors. Category H Listed Smoke and Draft Control Gasket. Complying with UL 1784 Standard for Air Leakage Tests of Door Assemblies and Other Openings Protectives. S

Tested for The Following Applications:

Wood Core Door Rated Up to 20 Minutes with Hose Stream		
Wood and Plastic Covered Composite Fire Doors Rated Up to 1-1/2 Hours		
Steel Covered Composite and Hollow-Metal Doors Rated Up to 3 Hours		
<u>Adjustable Door Stop</u>		
Neoprene	33, 59, 99, 399, 599	Drawing on Page 28
Silicone	633 and 659	Drawing on Page 28
<u>Astragal</u>		
Neoprene	93	Drawing on Page 32
Nylon Brush	959, 964, 967	Drawing on Page 33
Polyprene	92, 103, 792, 793(with 183), 797(with 183), 798(with 183)	Drawing on Page 32
Silicone	638(with 183)	Drawing on Page 32
Vinyl	M35	Drawing on Page 32
<u>Hardware Compatible Perimeter Seal</u>		
Neoprene	757	Drawing on Page 27
Polyprene	755 and 855	Drawing on Page 27
Polyurethane	775 and 875	Drawing on Page 27
Silicone	653, 655, 657	Drawing on Page 27
<u>Perimeter Seal</u>		
Neoprene	39, 49, DS69, DS70, DS76, DS77, DS78, DS79, 364, 373	Drawing on Page 25
Nylon Brush	918, 934, 956, 958, 959, 961, 964, 967	Drawing on Page 30
Polyprene	815 and 818	Drawing on Page 24
Polyurethane	769, 770, 778, 779, 788, 795	Drawing on Page 23
Silicone	612, 619, 669, 678, 688	Drawing on Page 24
<u>Self-Adhesive Perimeter Seal</u>		
Intumescent*	588	Drawing on Page 29
Polyprene	793, 797, 798	Drawing on Page 29
Silicone	638	Drawing on Page 29

*588 Also Rated as Category G, Edge Sealing System. See Page 29 for More Information.

Note: Any UL 10C Classified Threshold, Automatic Door Bottom, Door Sweep, or Door Shoe May Be Installed (Although Not Required) on a ‘S’ Label Door Without Affecting the Label.

AIR INFILTRATION TEST RESULTS

Tests conducted by a leading independent testing laboratory.

HEAD & JAMB	THRESHOLD THRESHOLD	DOOR BOTTOM	25 MPH CFM RATING
DS62	NONE	321	.22
DS62	BOTTOM SEALED CLOSED		.13
DS70	S498A	NONE	.08
DS75	NONE	321	.25
DS75	BOTTOM SEAL CLOSED		.16
DS78	S498A	NONE	.13
DS79	S498A	330	.03
399	NONE	521	.23
599	NONE	521	.04
770	S498A	330	.03
797	NONE	321	.13
797	BOTTOM SEAL CLOSED		.02



E283-73 and SDI 116 Air

WEATHERSTRIPS SAVE ENERGY AND MONEY

In these energy conscious times, we understand that a door perimeter which leaks air, costs money. In addition, smoke can pose a life threatening hazard to anyone exposed.

Reese has tested many seal combinations to determine effectiveness against air and smoke infiltration. This was done in conformance with ASTM test procedure E283-73 and SDI 116, at a static pressure of 1.56 psf — the equivalent of a 25 mph wind. The results are shown on the chart at left.

SOUND PROOFING TESTS

Reese Enterprises, Inc. offers a wide variety of proven soundproofing door seals. Used in conjunction with sound rated doors, they will provide you with the sound reduction you require. Below are results of test conducted by a leading acoustical testing laboratory.

What is an STC Rating?

These letters stand for Sound Transmission Class — a single number rating devised by the American Society for Testing and Materials (ASTM). This rating provides the manufacturer or consumer with a measurement of the relative sound insulating performance of a barrier such as a wall, partition, or door and its seals, allowing performance ranking of competing products.

It is derived in accordance with exacting test procedures outlined on ASTM Standard E90-75. The specimen to be tested is mounted between two large reverberation rooms. These rooms are arranged and constructed so that the only significant sound transmission between them is through the test specimen. A sound signal, consisting of a series of eighteen 1/3 octave bands of random (pink) noise, is introduced into one room, called the source room. Then measurements are made to determine the Noise Reduction caused by the barrier — the source room sound level minus the receiving room sound level — at each



ASTM Standard E90-75

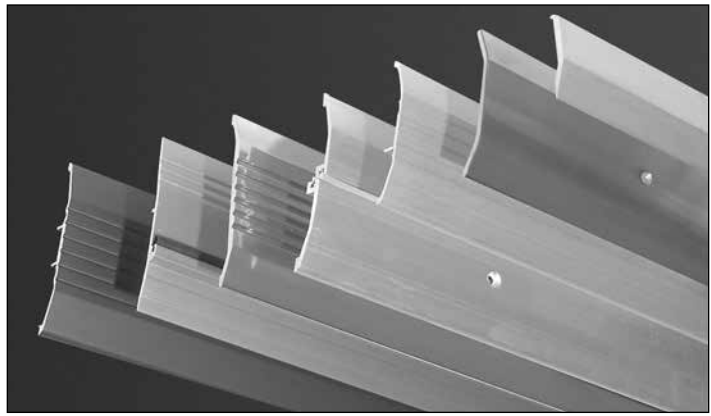
test frequency. These noise reduction measurements are then mathematically converted to a Transmission Loss (TL) figure in decibels (dB) for each frequency band. The TL figures are then compared to standard ASTM STC reference contours (ASTM E313-73). These standard contours are designed to

correlate TL figures with overall subjective impressions of the sound insulation provided by a barrier against the sounds of speech, radio, television, music, and similar sources of noise typical in offices and dwellings. The STC rating is the highest contour where the sum of the deficiencies (that is the deviations below the reference contour) is not greater than 32dB and the maximum deficiency at any single test frequency is 8dB. The higher

the number, the greater the individual TL values of a barrier; consequently, the greater the sound insulation properties. It should be noted that this rating is a result of the average TL of many frequencies. If you have a noise control problem in just one frequency range, it would be better to look at individual TL values at that frequency range rather than just the STC rating when selecting products.

HEAD & JAMS STRIP	THRESHOLD	DOOR BOTTOM	DOOR CAULKED SHUT (Inoperable)	DOOR OPERABLE with REESE SEALS
599	None	521	STC 51	STC 46
599	S498A	330	STC 51	STC 45
99	None	330	STC 44	STC 37
770	None	330	STC 44	STC 37
DS79	S498A	330	STC 44	STC 41
792	None	321	STC 34	STC 28
793	None	321	STC 34	STC 28
797	None	321	STC 32	STC 28
DS75	None	321	STC 32	STC 29
DS70	None	320	STC 32	STC 28

Saddle Thresholds



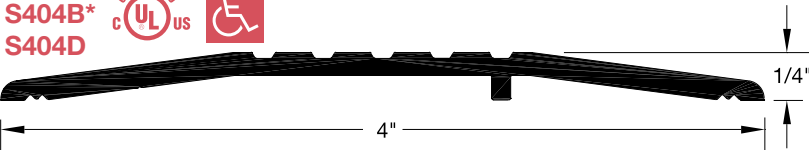
S225A
S225B*
S225D



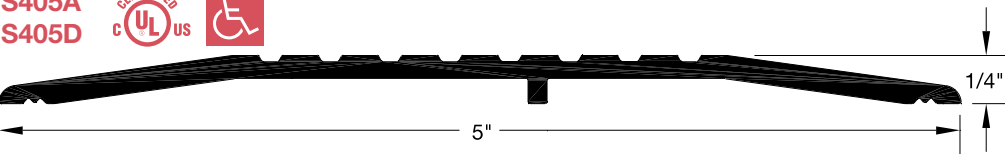
S263A
S263D



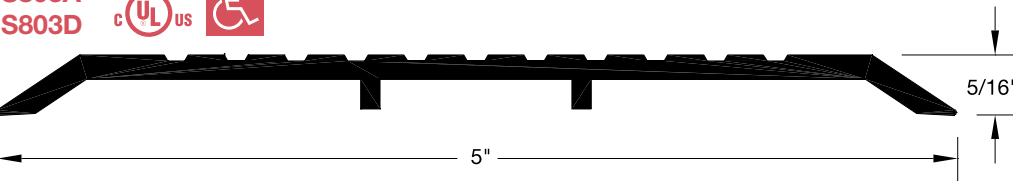
S404A
S404B*
S404D



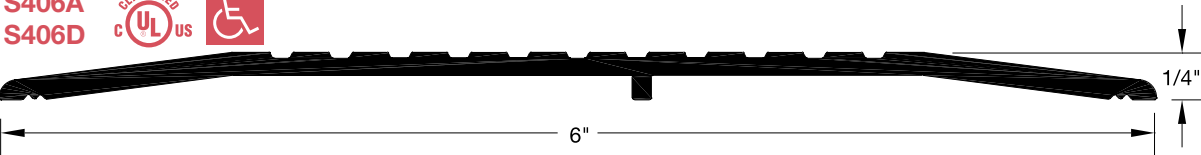
S405A
S405D



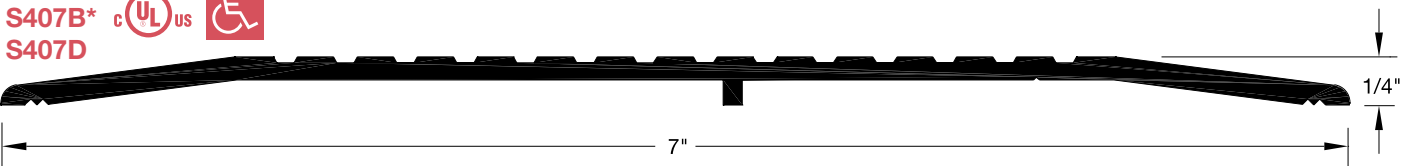
S803A
S803D



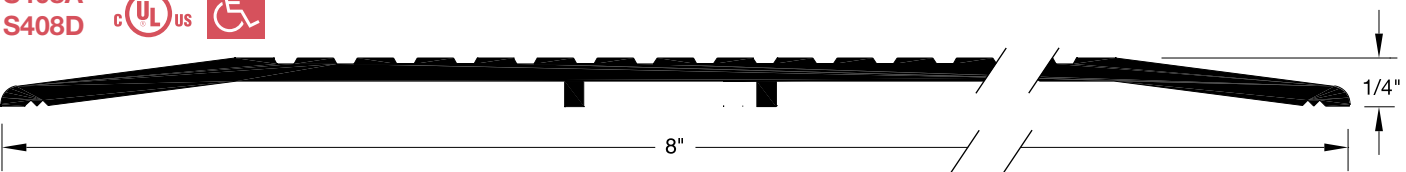
S406A
S406D



S407A
S407B*
S407D

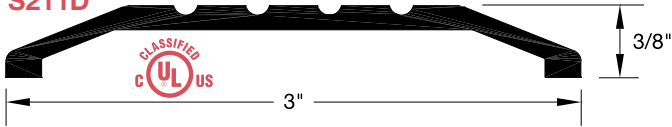


S408A
S408D

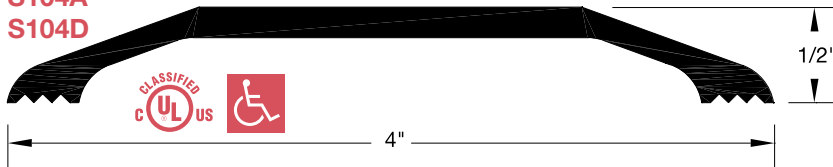


* Brass equivalent may differ slightly from the aluminum profile in images.

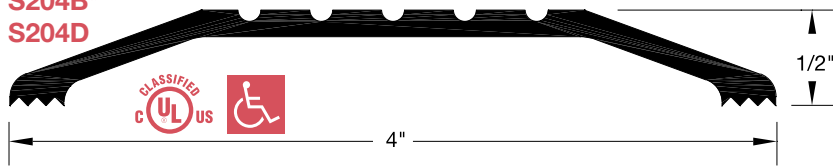
S211A
S211D



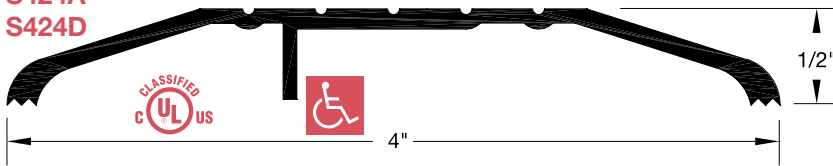
S104A
S104D



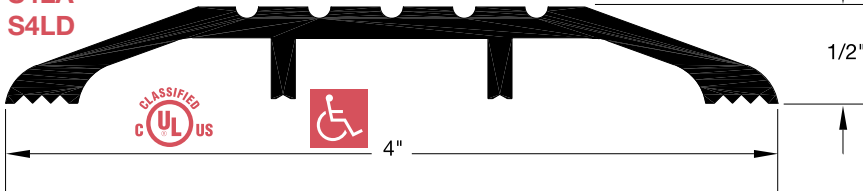
S204A
S204B*
S204D



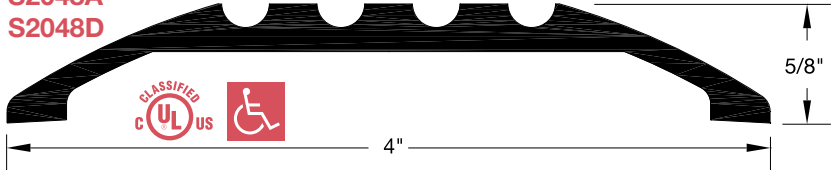
S424A
S424D



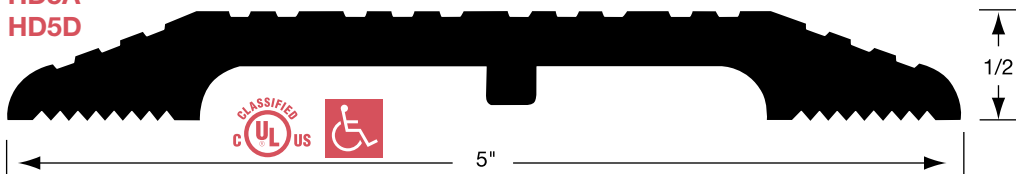
S4LA
S4LD



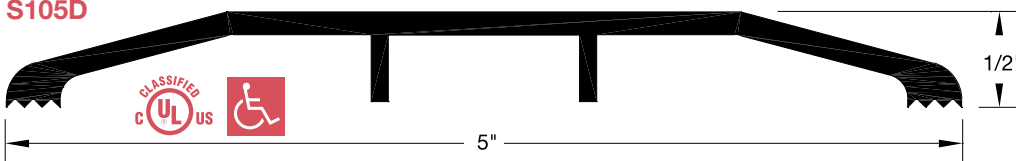
S2048A
S2048D



HD5A
HD5D



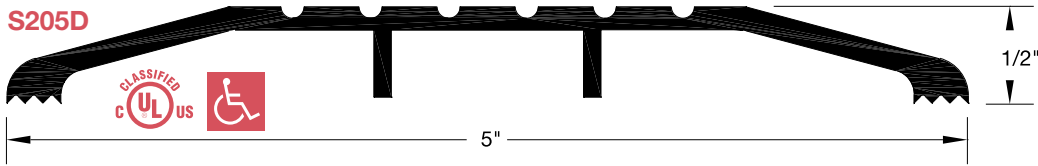
S105A
S105D



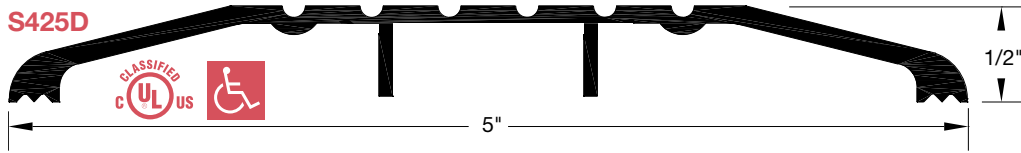
* Brass equivalent may differ slightly from the aluminum profile in images.

S205A
S205B*
S205D

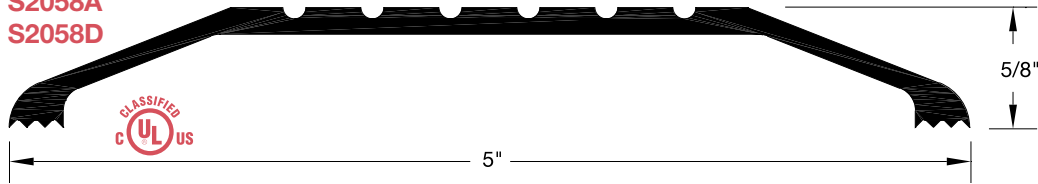
NOTE: S205B does not have center legs.



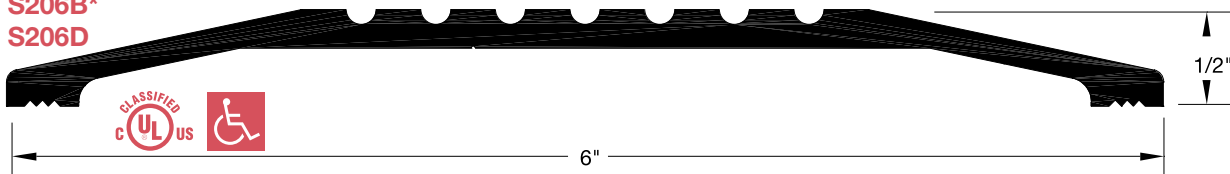
S425A
S425BLK
S425D



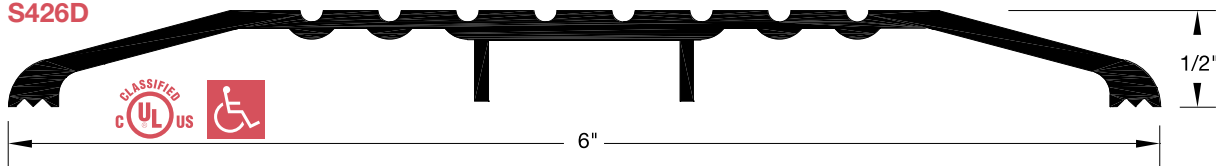
S2058A
S2058D



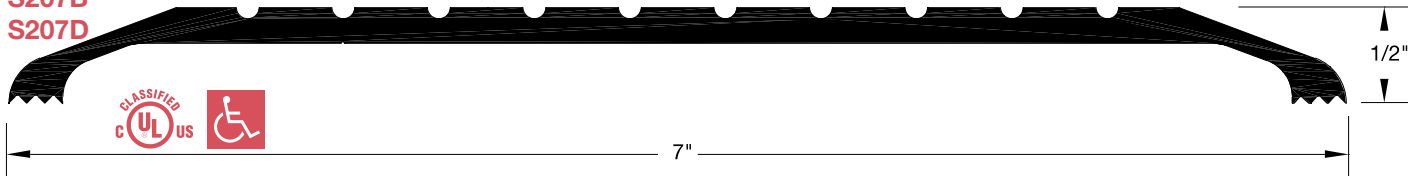
S206A
S206B*
S206D



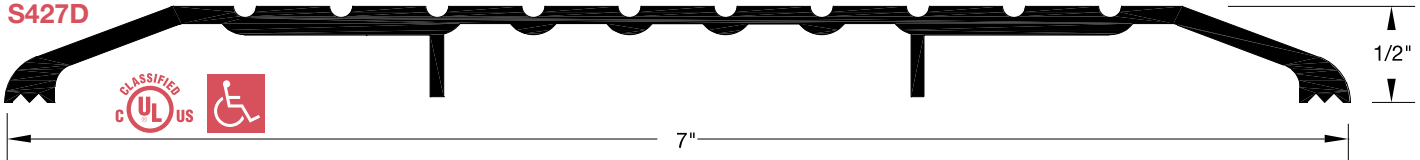
S426A
S426D



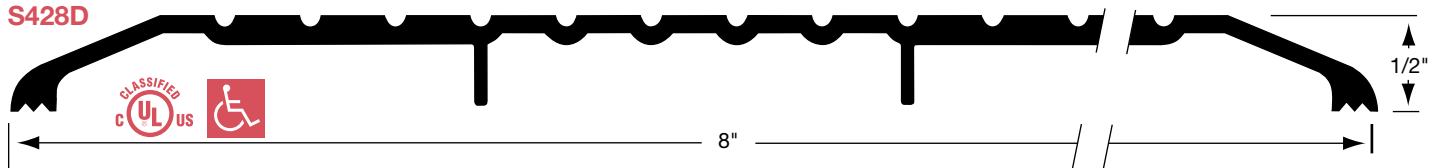
S207A
S207B*
S207D



S427A
S427D

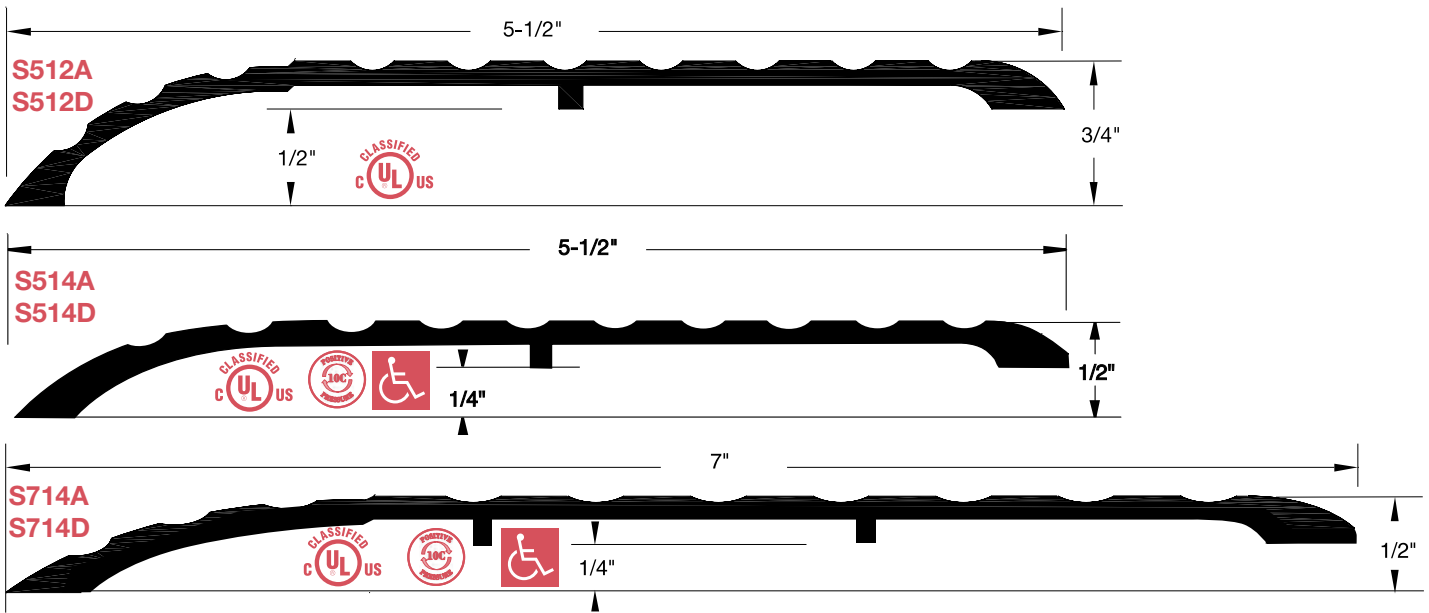


S428A
S428D

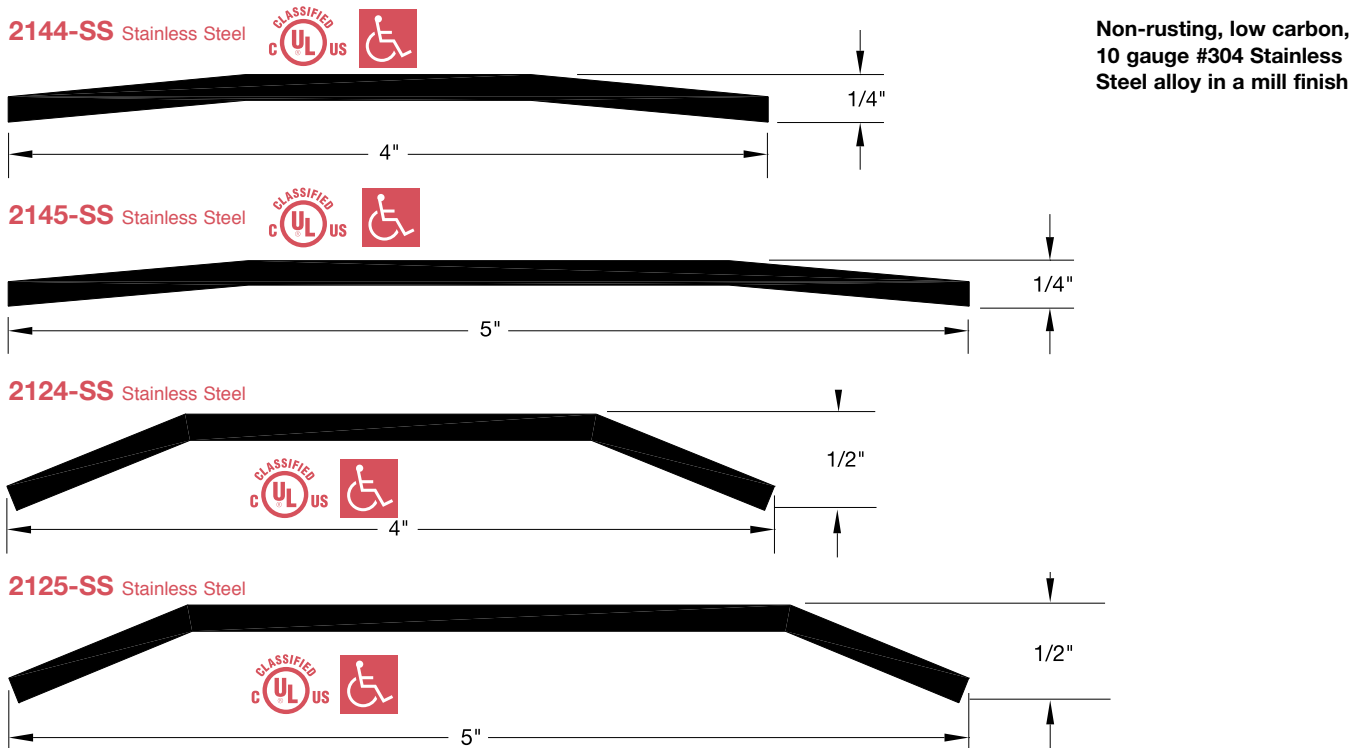


* Brass equivalent may differ slightly from the aluminum profile in images.

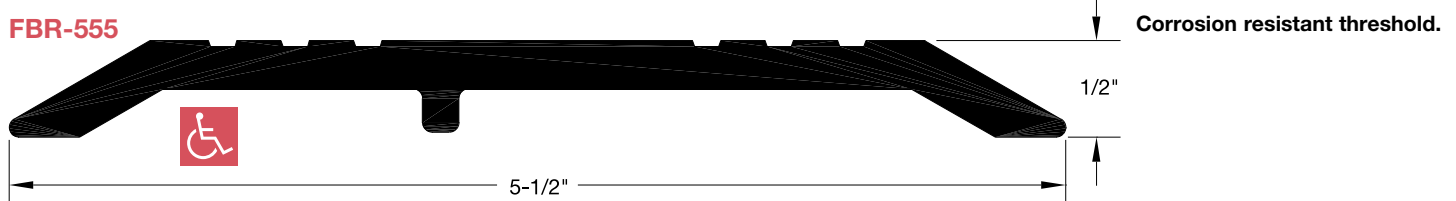
Offset Saddle Thresholds



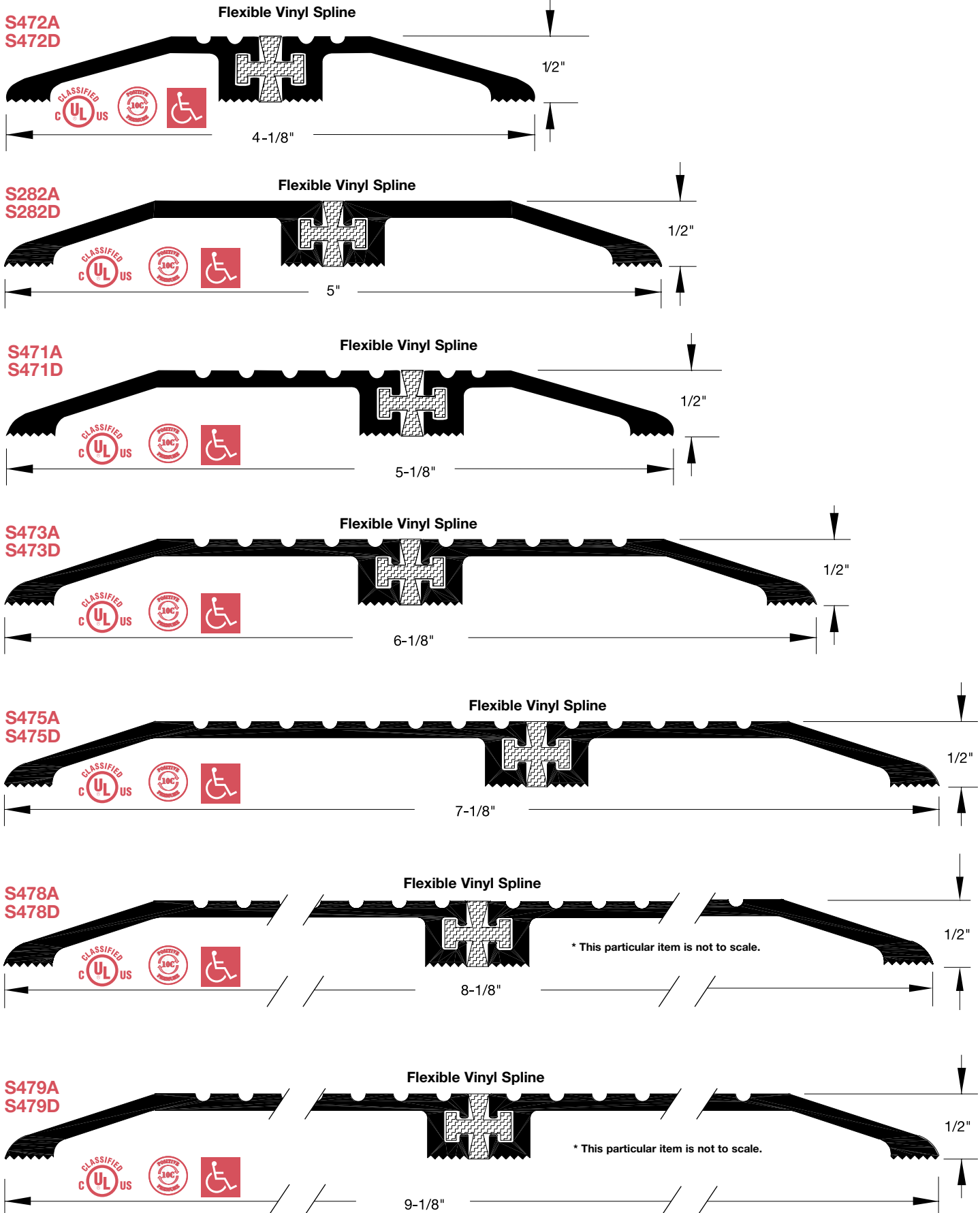
Stainless Steel Thresholds

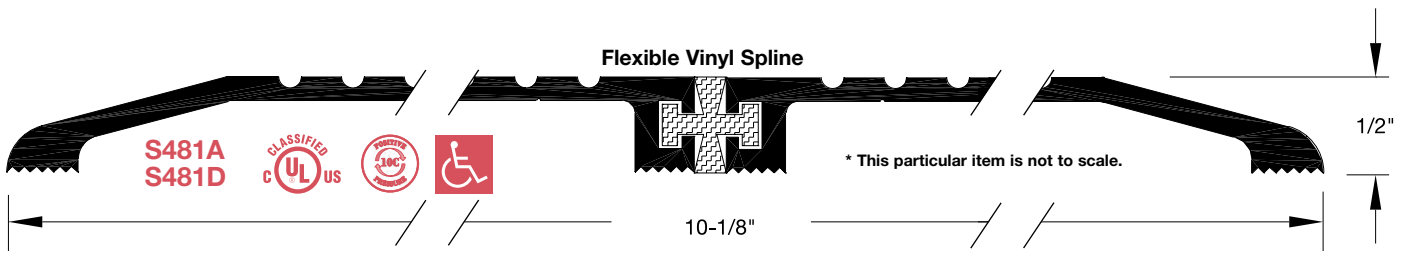


Fiberglass Thresholds

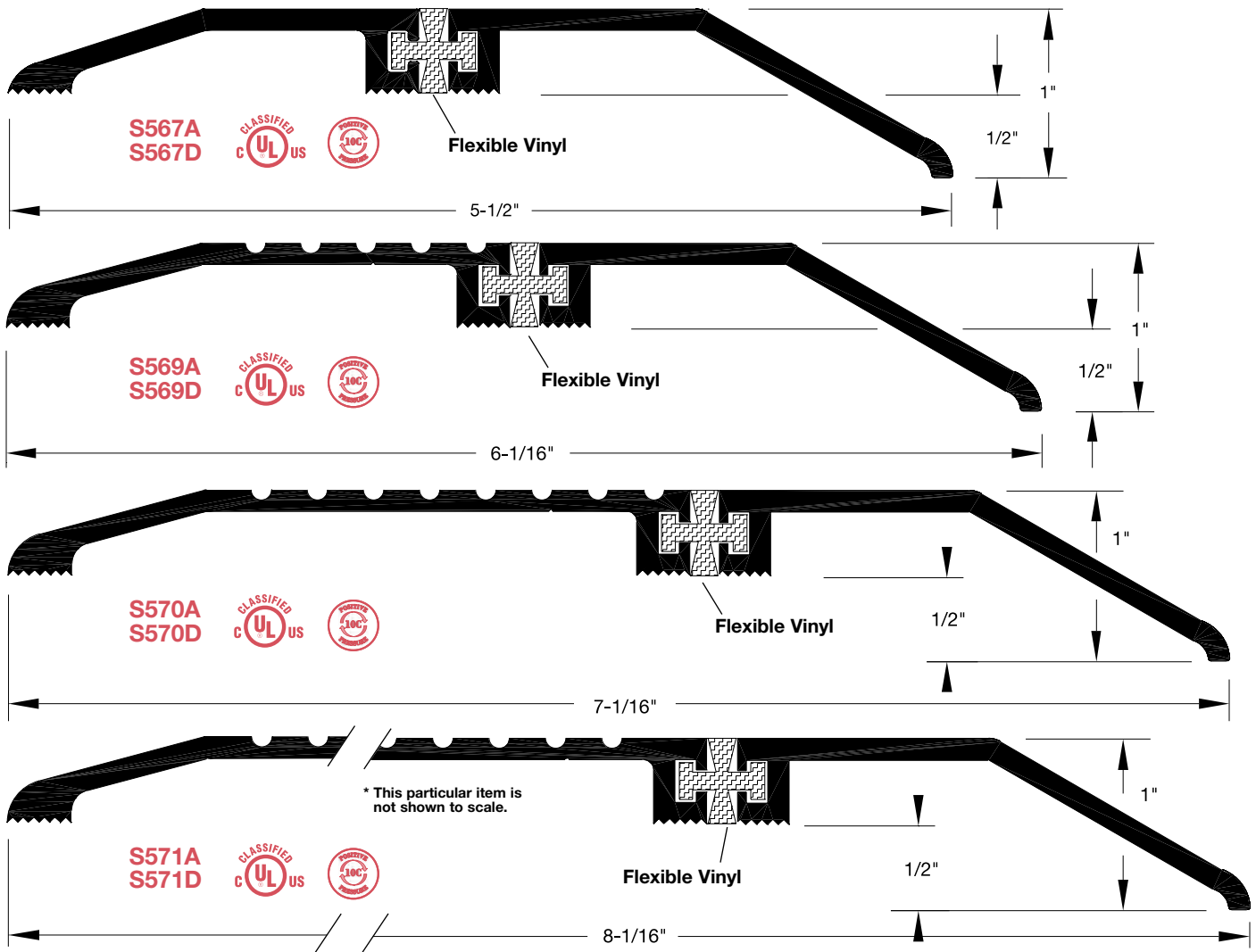


Thermal Break Thresholds





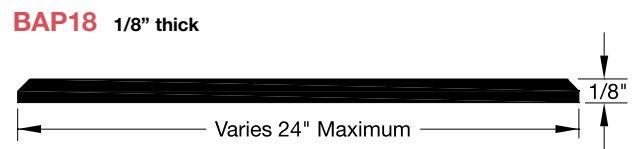
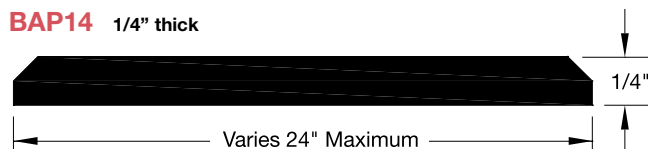
Offset Thermal Break Thresholds



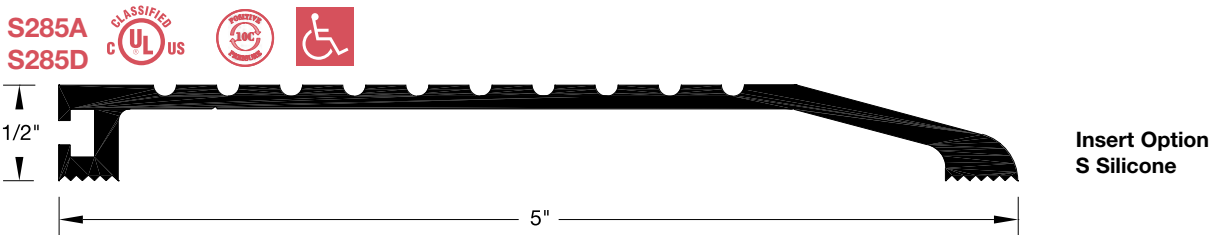
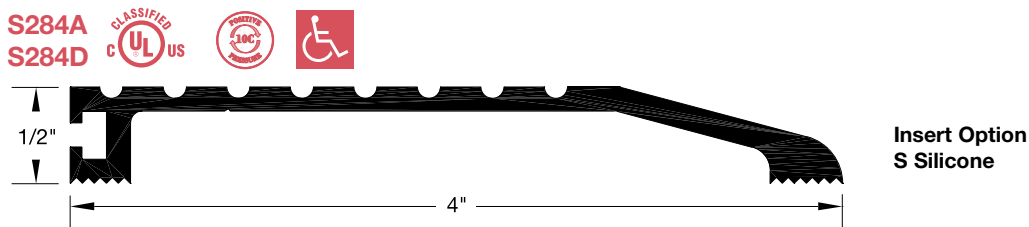
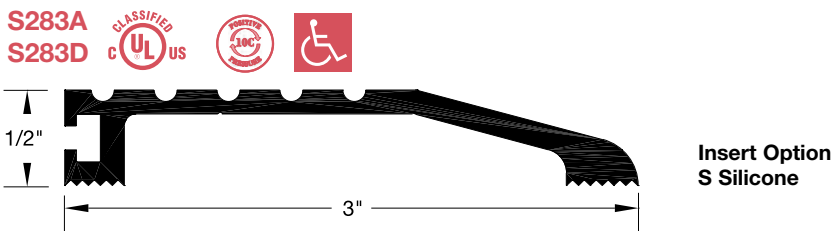
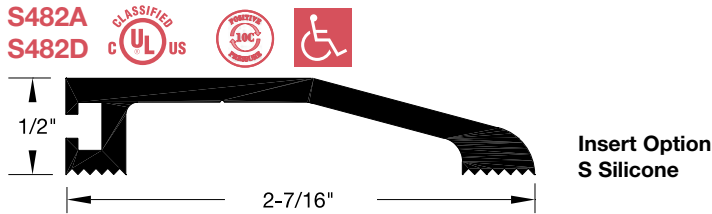
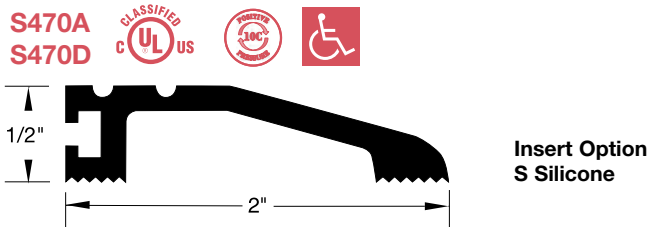
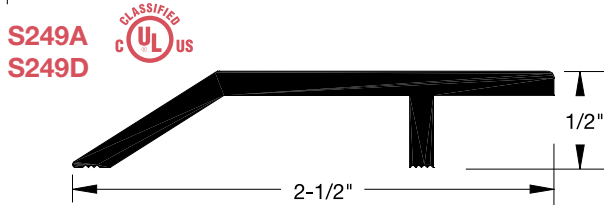
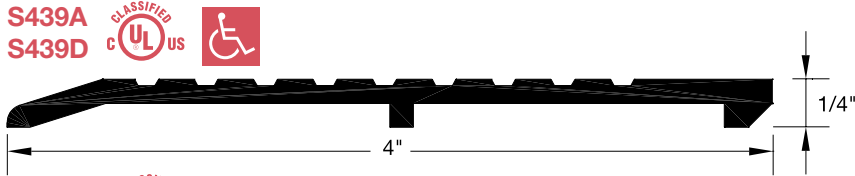
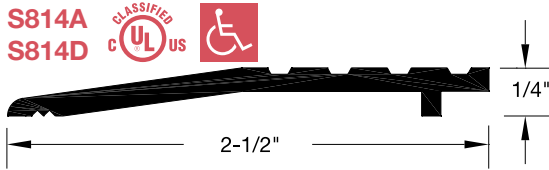
Beveled Aluminum Plates

These plates are fabricated to customer specifications. Templates for factory hole drilling

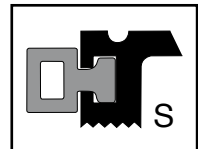
should be furnished. If no template is furnished, they will be supplied undrilled. Minimum width 2".



Half Saddle Thresholds

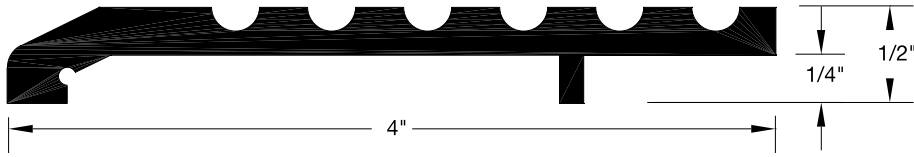


Insert Option
S Silicone

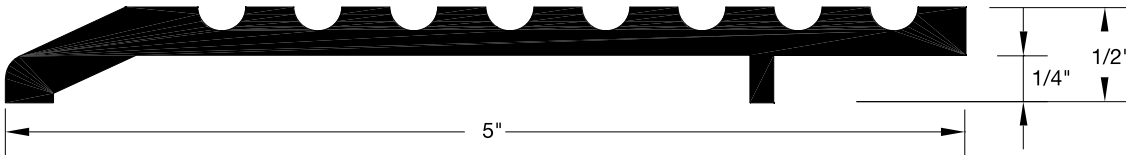


Please specify
S insert on
thresholds S470
through S285.
Inserts will not
be included in
orders if not
specified.

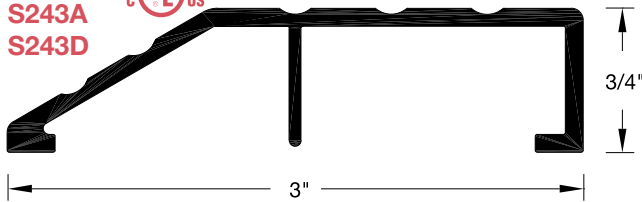
S239A
S239B*
S239D



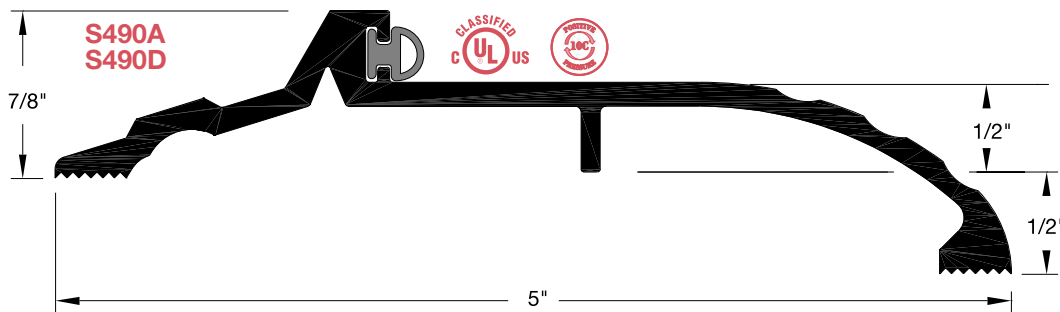
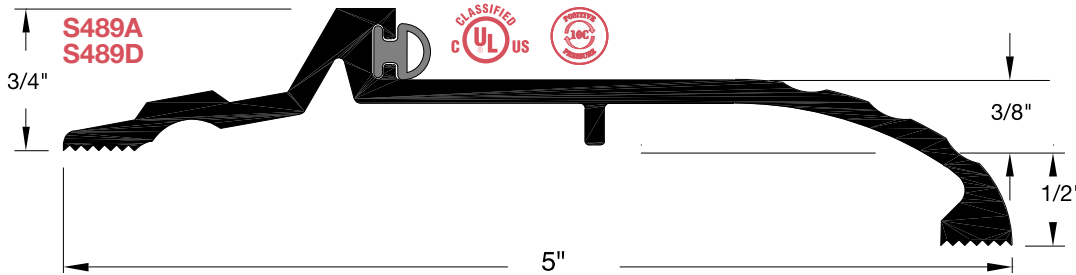
S245A
S245B*
S245D



S243A
S243D



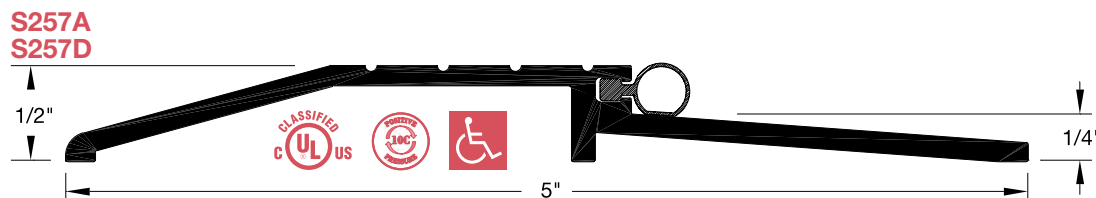
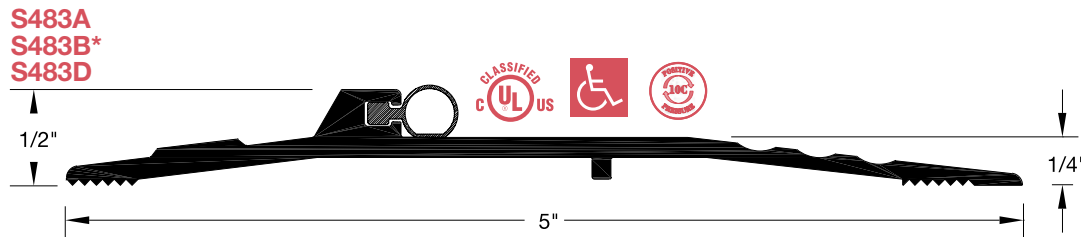
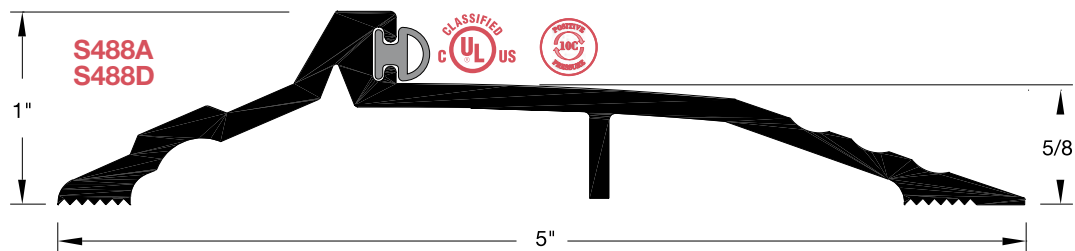
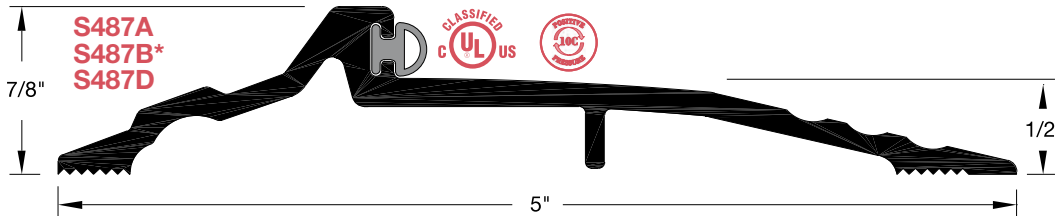
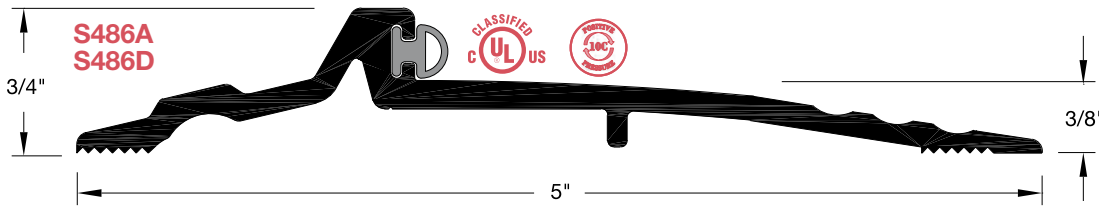
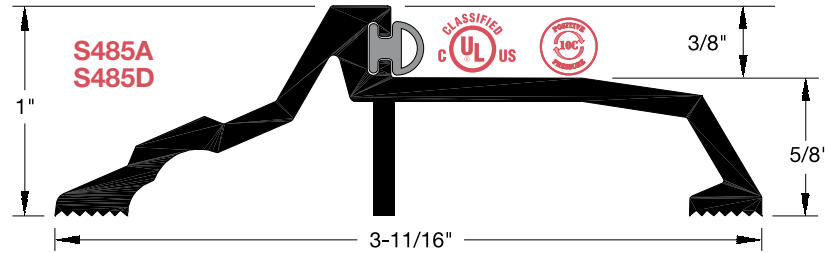
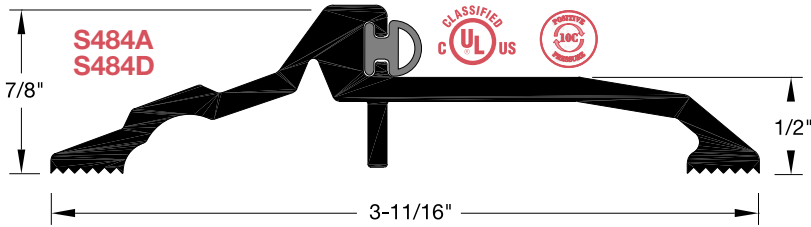
Offset Panic Thresholds



Vinyl insert shipped if no insert specified

* Brass equivalent may differ slightly from the aluminum profile in images.




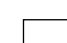
Panic Type Thresholds



Examples for ordering:

CODE	PART#, Finish Material, Insert Type
S485DV	S485, Dark bronze, grey, Vinyl insert
S485DP	S485, Dark bronze, Pile insert

Vinyl insert shipped if no insert specified

Grey Vinyl
add **V**

Black Polyprene
add **PR**

Black Polyurethane
add **U**

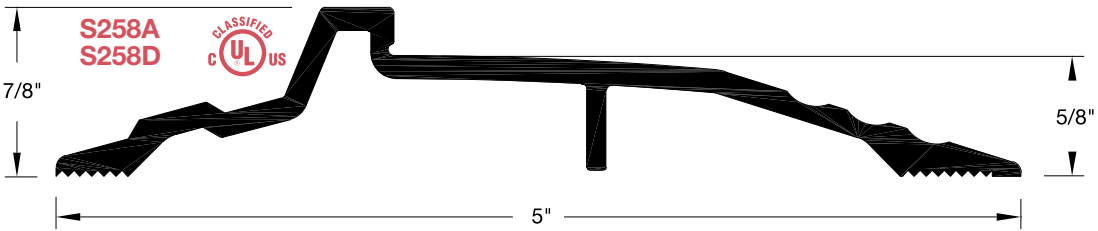
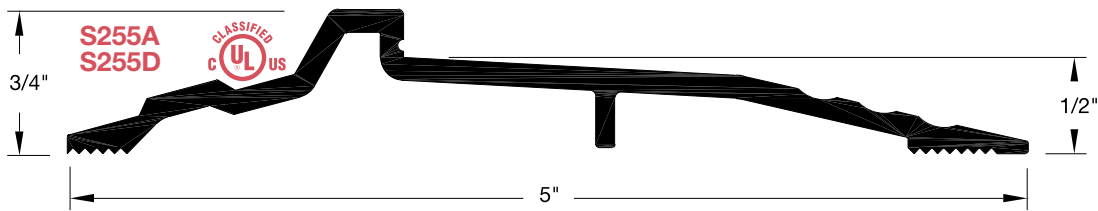
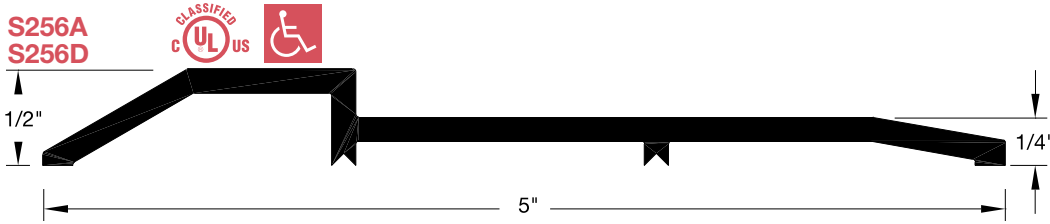
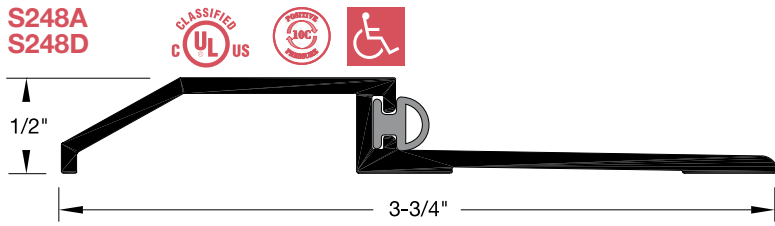
Grey Pile
add **P**

INSERT OPTIONS FOR S483 AND S257

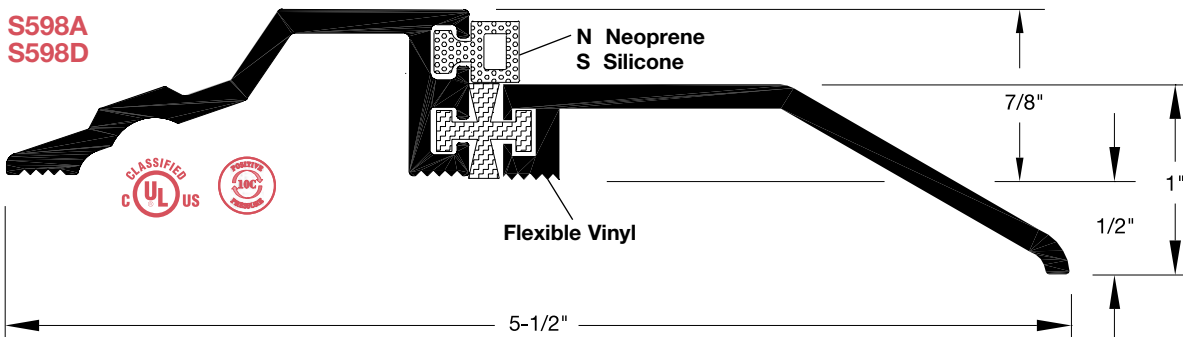
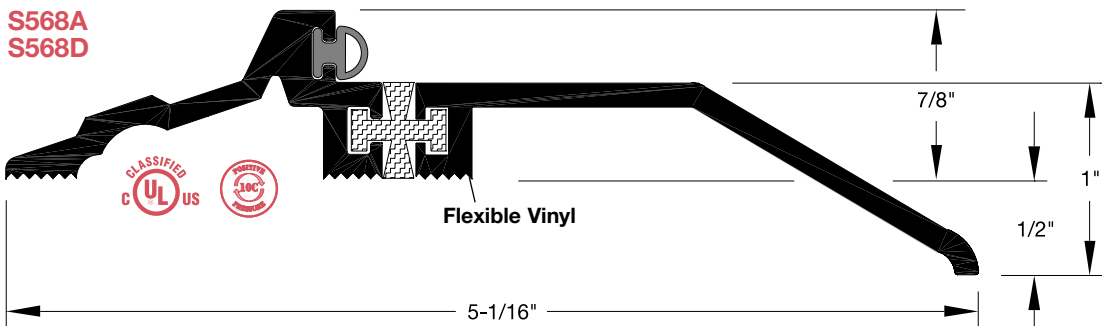
- U – Polyurethane
- V – Vinyl
- PR – Polyprene
- S – Silicone

Vinyl insert shipped if no insert specified

* Brass equivalent may differ slightly from the aluminum profile in images.

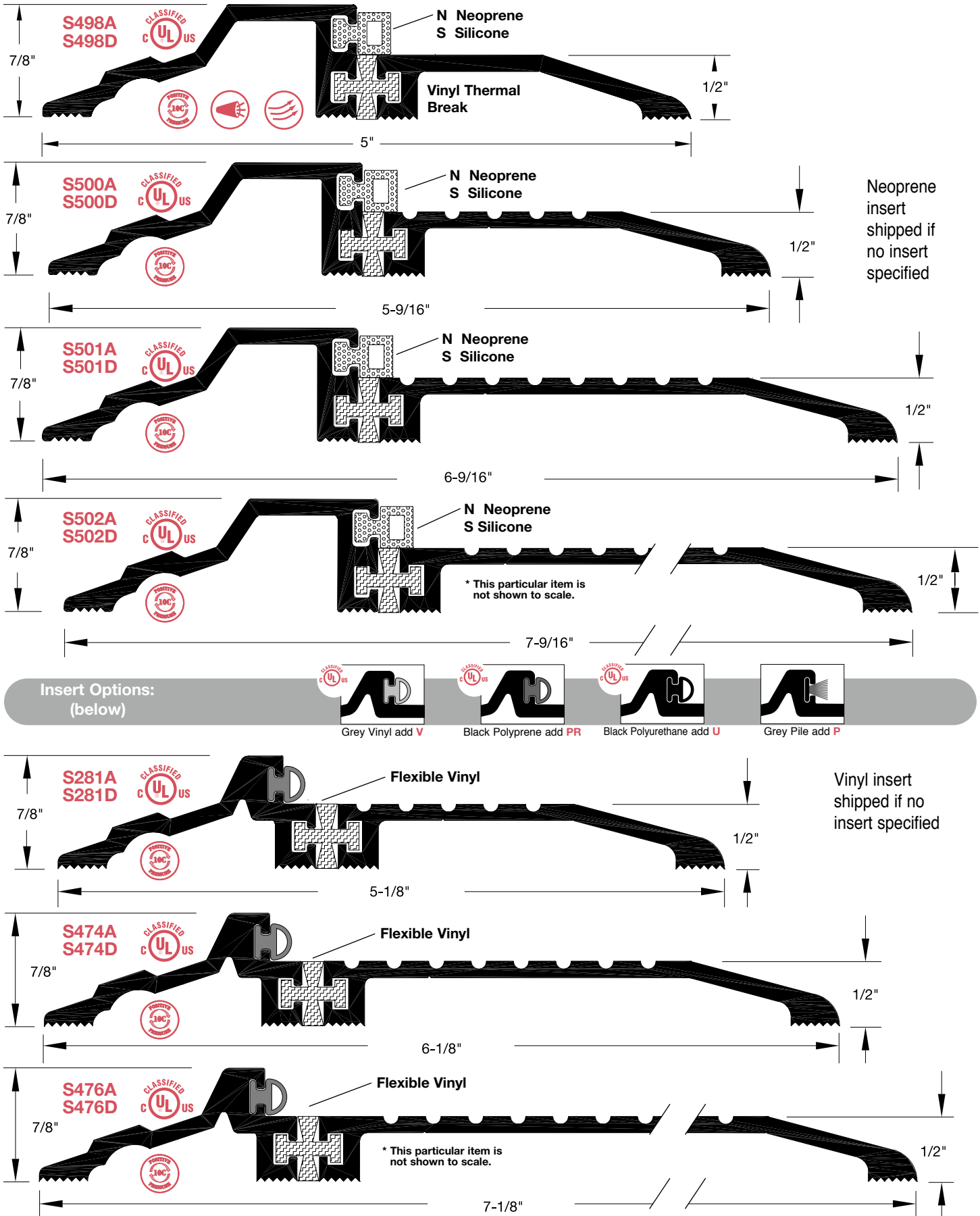


Offset Thermal Break Panic Thresholds



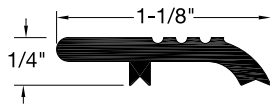
Neoprene insert shipped if no insert specified

Thermal Break Panic Thresholds

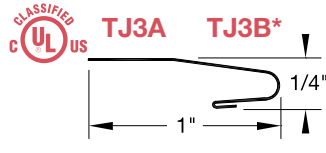


Interlock Thresholds

T040A
T040D

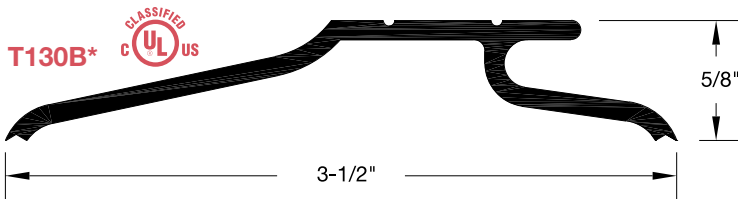
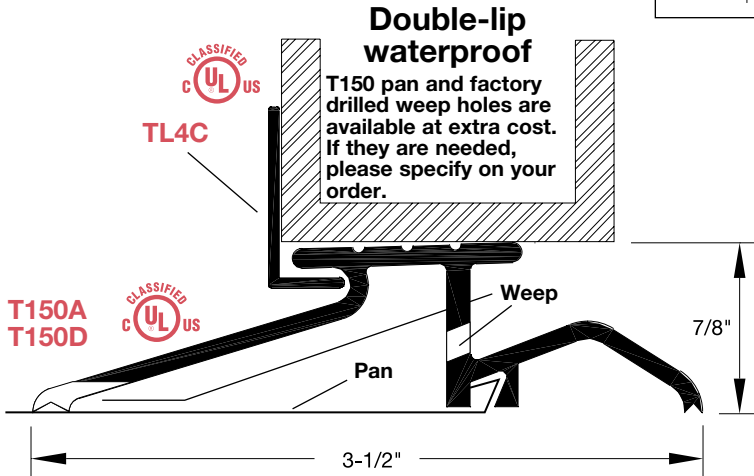
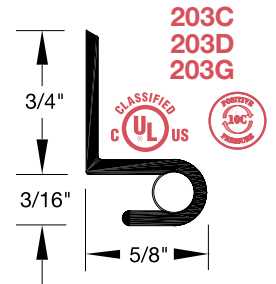


Rolled Metal Hook

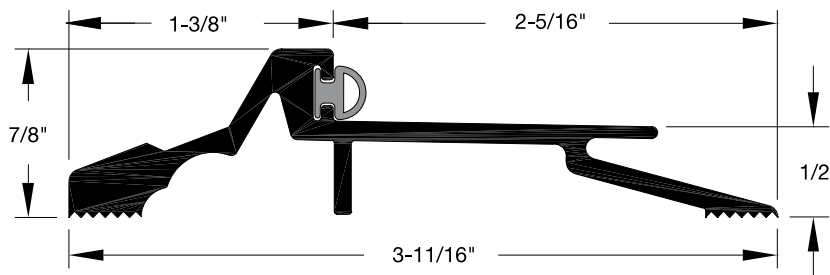


Aluminum Hooks

For applications requiring a threshold and an aluminum hook, both parts must be specified on your order.



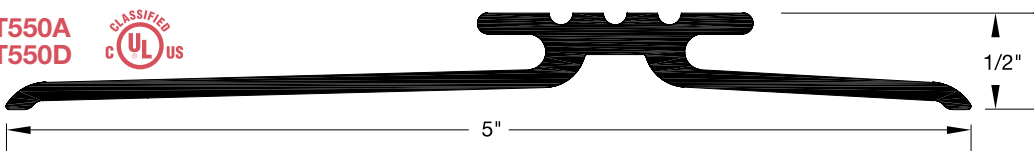
S252A
S252D



Insert Options:

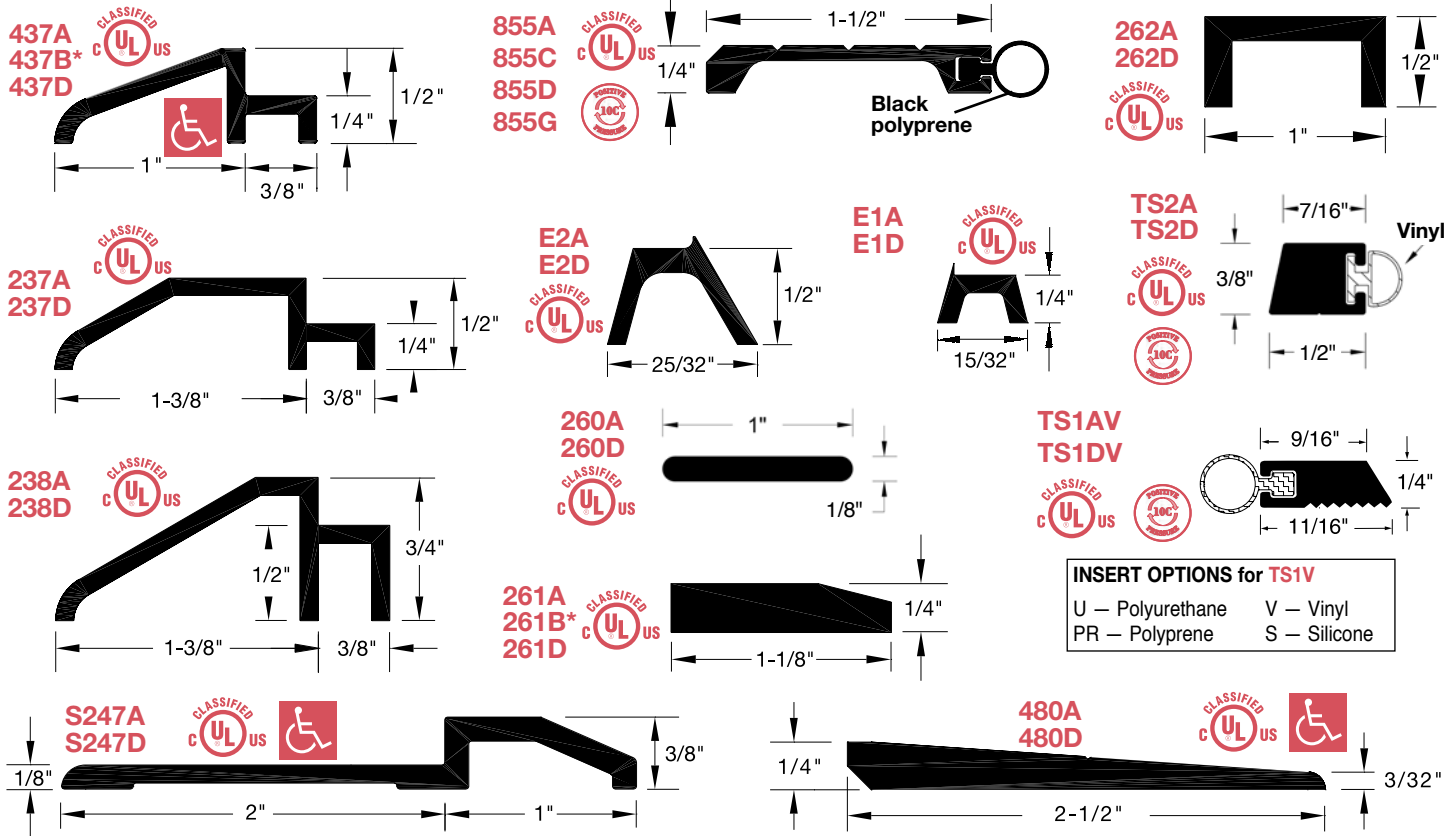
- U** Polyurethane
- PR** Polyprene
- V** Vinyl
- P** Pile

T550A
T550D

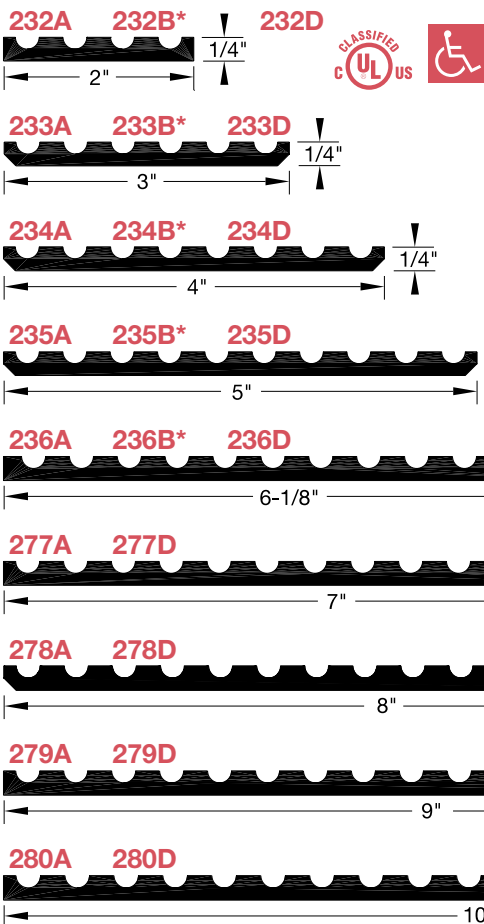


* Brass equivalent may differ slightly from the aluminum profile in images.

Threshold Assembly Components

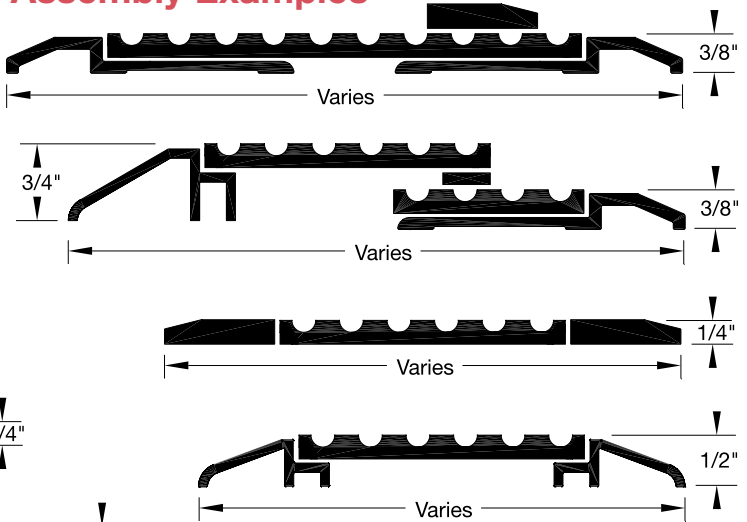


NOTE: Threshold Plates and accessories are furnished undrilled unless drilling instructions are furnished with order. Ordering fasteners only will not constitute drilling.



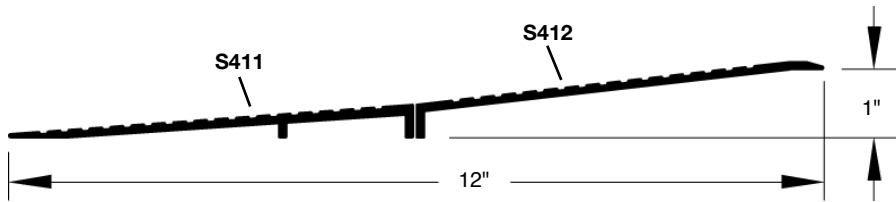
Half Size Details

Assembly Examples

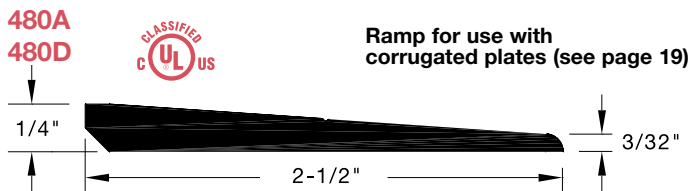
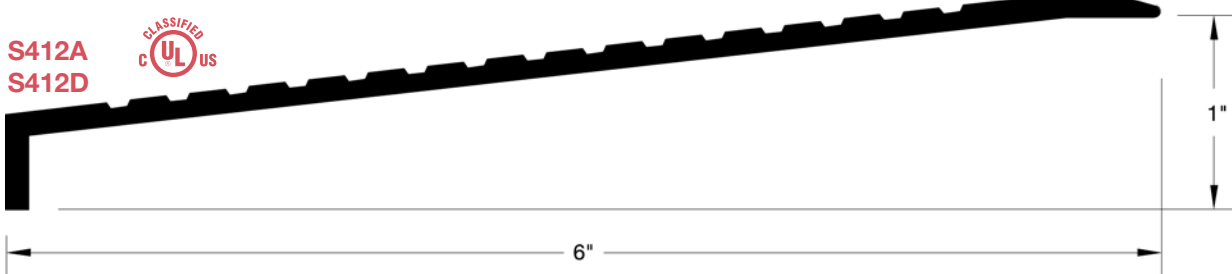
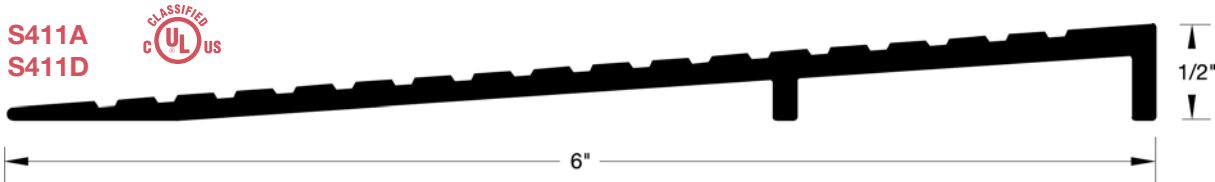


* Brass equivalent may differ slightly from the aluminum profile in images.

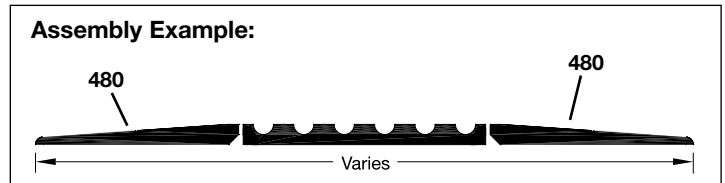
Aluminum Ramps



These thresholds have less than 1/4" vertical rise, beveled rise slope no greater than 1:2, up to 1/2" and ramps with slope less than 1:12. Many other Reese Thresholds also meet these criteria and are considered handicapped accessible.



Ramp for use with corrugated plates (see page 19)



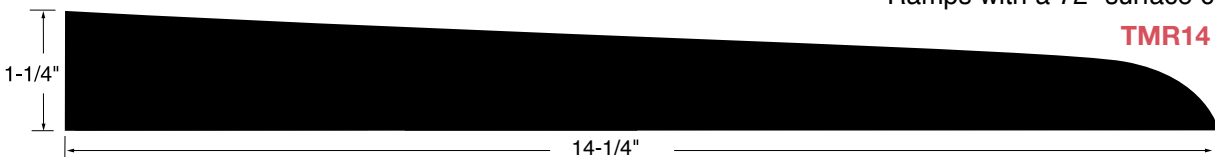
Rubber Ramps

- Superior slip-resistant surface
- 22 degree flared sides
- Will not freeze, crack or flake
- Multiple piece ramps are factory fitted between pads
- Molded traction pads
- 3/16" rounded edges



The EZ Edge™ Ramp is solid and durable, with no load weight limitations. Designed for the real world, these ramps are remarkably affordable and easy to install on almost any surface. The EZ Edge Ramp system is your best value for vertical rise modifications.

EZ Edge Ramps are compression molded from 100% reclaimed 20 mesh minimum crumb rubber with urethane binders, having a maximum hardness (Shore A) of 65.

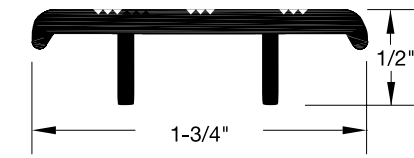


Model	Height	Width	Surface	Front to Back
TMR8	7/8"	42"	36"	8"
TMR8*	7/8"	77-1/2"	72"	8"
TMR14	1-1/4"	46"	36"	14-1/4"
TMR14*	1-1/4"	82"	72"	14-1/4"

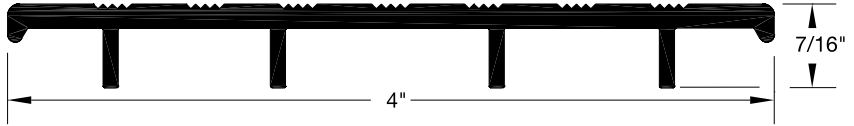
*Ramps with a 72" surface come in two pieces.

Carpet & Flooring Transition Threshold

S565A
S565D  



S563A
S563D  

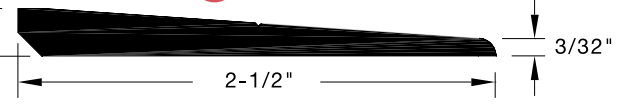


S266A
S266D



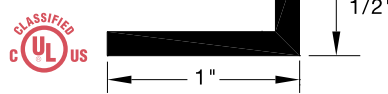
480A
480D



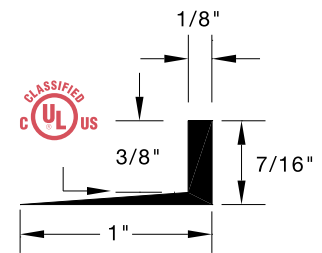
544A
544D 



548A
548D 

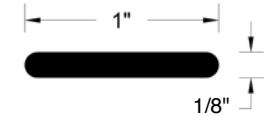


551A
551D 



Surface Applied & Elevator Stop Strips

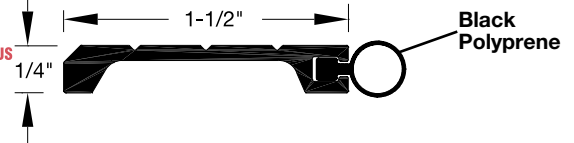
260A
260D 



TS1AV
TS1DV  



855A
855C  
855D
855G



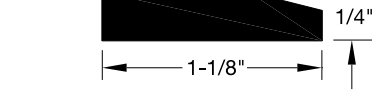
E1A
E1D 



E2A
E2D 

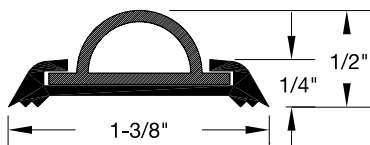


261A
261B* 
261D

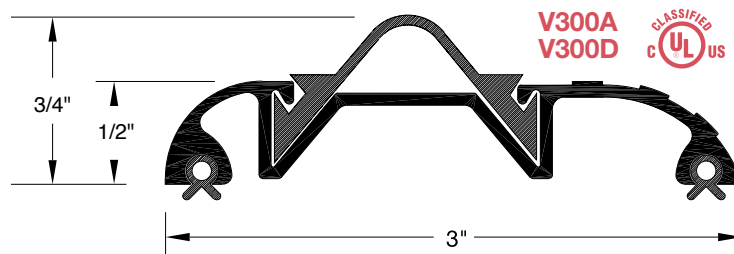


Vinyl Top Thresholds

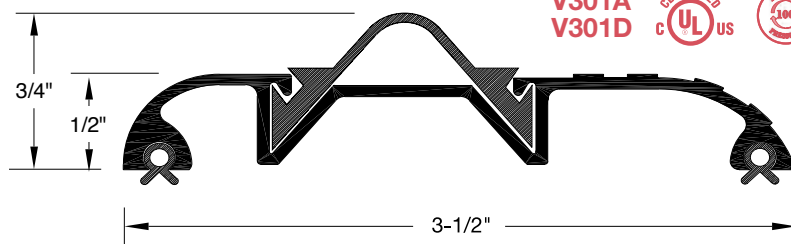
V138A
V138D   



V300A
V300D  



V301A
V301D  



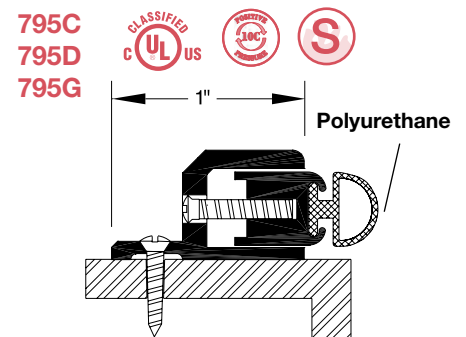
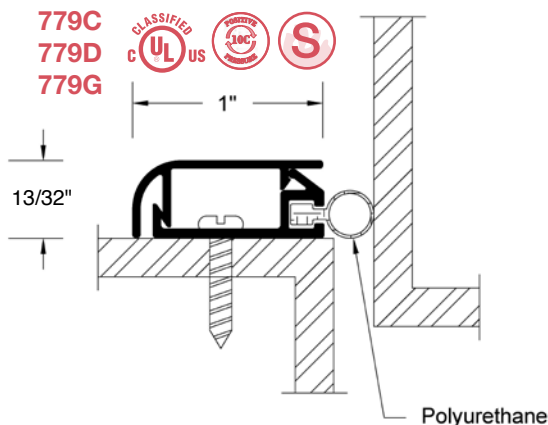
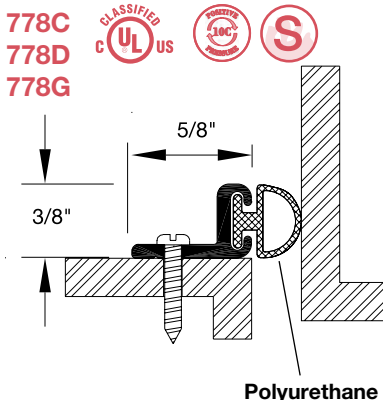
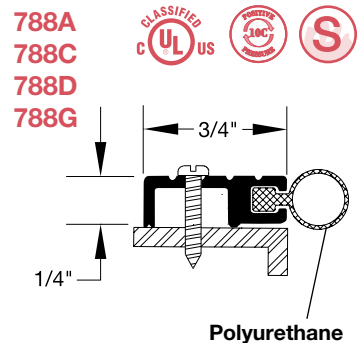
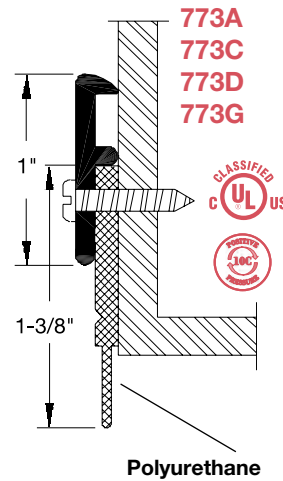
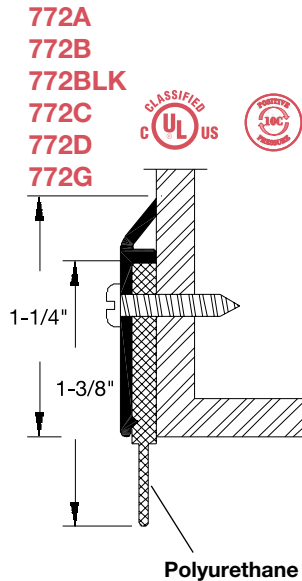
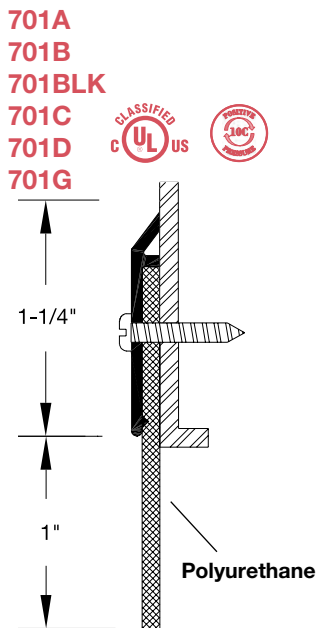
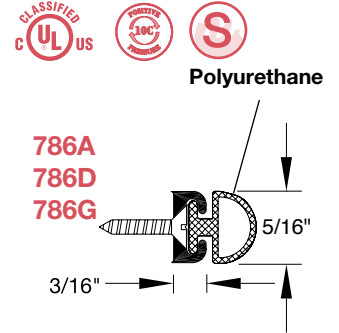
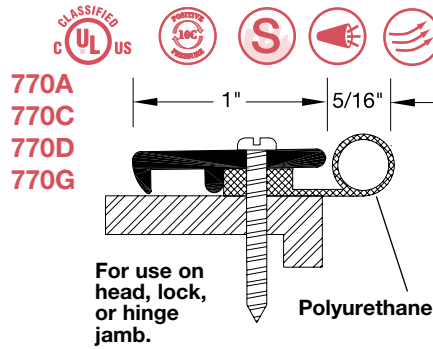
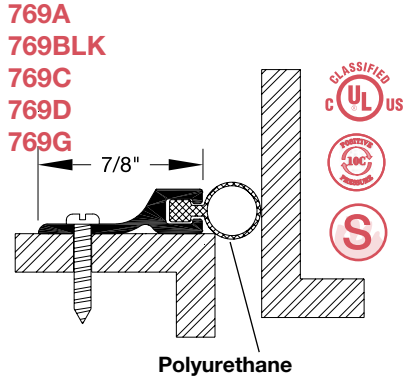
* Brass equivalent may differ slightly from the aluminum profile in images.

Polyurethane

Reese's exclusive polyurethane weatherstrips far exceed any other product on the market. Specify it for your next job.

With today's high maintenance and replacement costs, Reese Polyurethane Weatherstrips are the best choice, especially in high abuse areas such as schools or correctional institutions, dusty or abrasive environments, extremely cold locations or areas of high traffic.

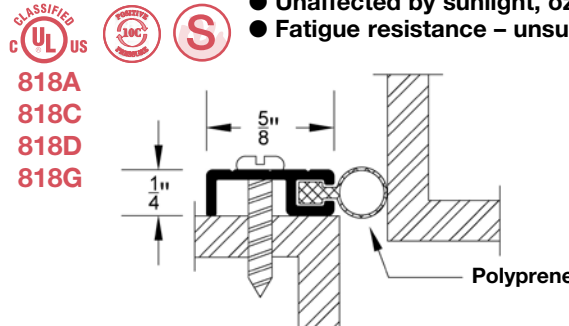
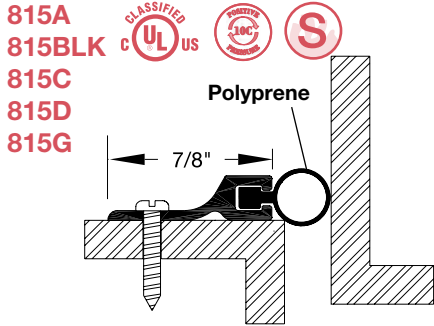
- 4 times the tear resistance, 40 times the tensile strength and nearly 100 times the abrasion resistance of silicone.
- Flexible to -58°F.
- Unaffected by ultraviolet light.
- Resistant to fungus and petroleum based solvents.
- Unaffected by Halon® fire extinguishant.



Polyprene

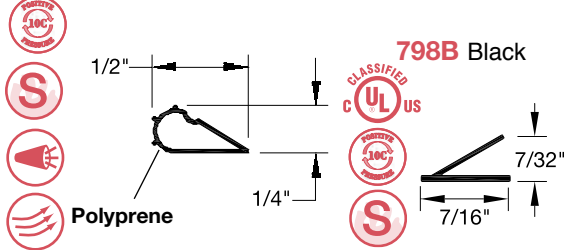
Polyprene®, a thermoplastic compound rubber, is a series of high-performance elastomers which combine the desirable characteristics of vulcanized rubber, such as flexibility and low compression set with the processing ease of thermoplastics.

- Withstands a wide variety of temperature extremes: remains stable and keeps its shape from -76°F to 250°F.
- Has soft, good low temperature flexibility.
- More wear resistant than silicone rubber.
- Low compression set – outstanding memory for consistent long-term sealing pressure.
- Unaffected by sunlight, ozone and ultraviolet rays.
- Fatigue resistance – unsurpassed flex fatigue resistance.

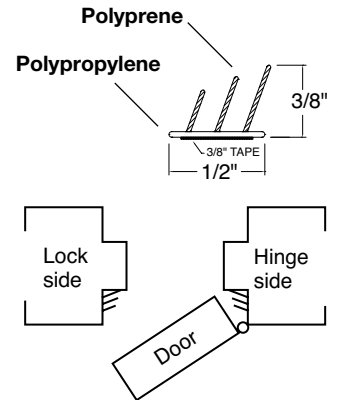
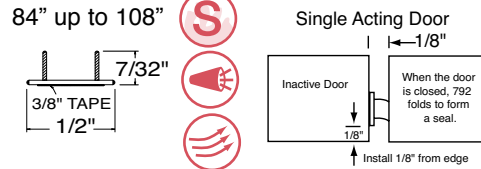


797B Black
797W White

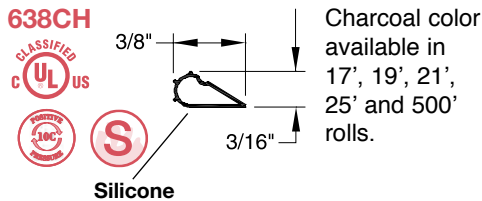
Note: 797 and 798 available in 17', 19', 21', 25' and 500' rolls.



792B Black
Lengths:
84" up to 108"



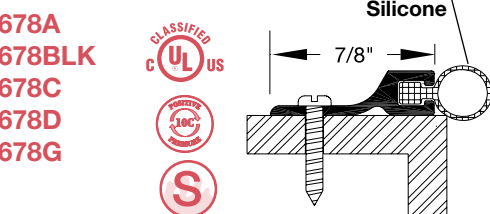
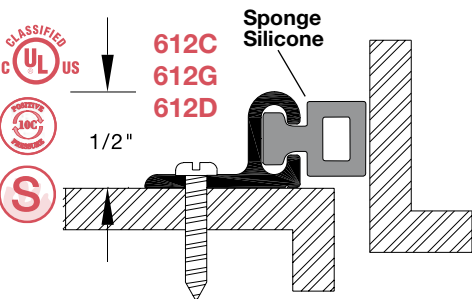
Silicone



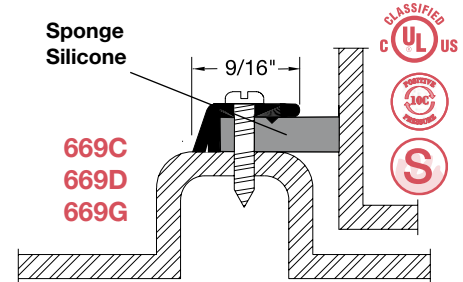
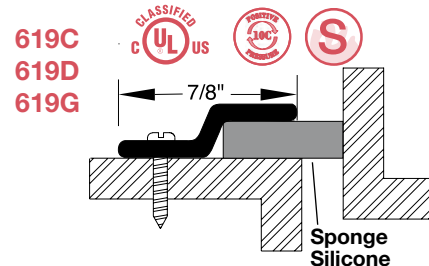
Charcoal color available in 17', 19', 21', 25' and 500' rolls.

Silicone rubbers are synthetic polymers with unusual molecular structures; giant backbones of alternating silicon and oxygen atoms. This linkage is similar to that found in quartz, thus silicones have superior heat resistance compared to other elastomers.

Note: All self-adhesive weatherstrips must be applied on clean, dry frames between +50°F and +100°F. Smoke seals have a pre-installation shelf life of 6 to 9 months.



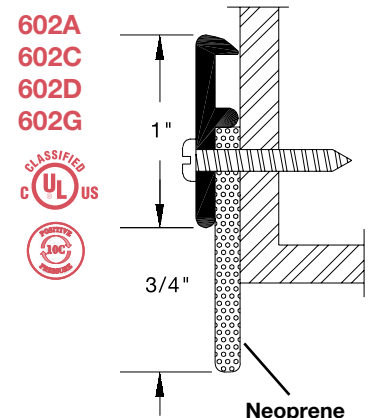
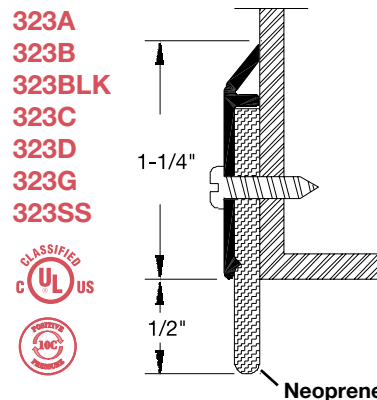
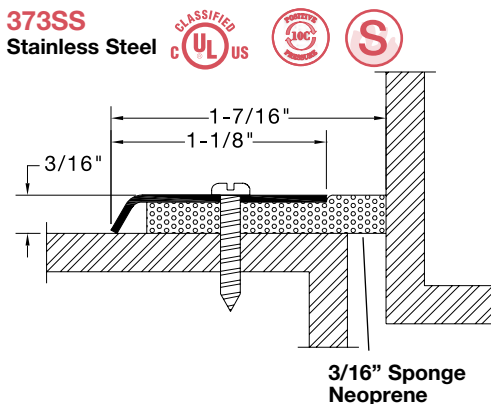
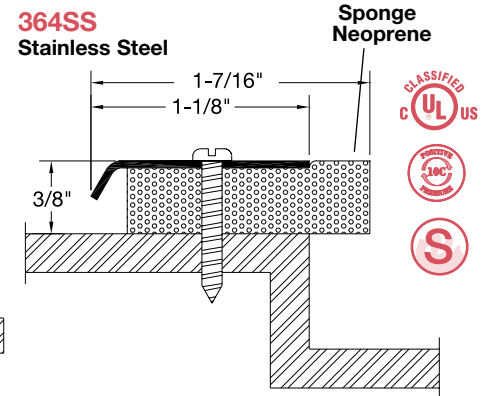
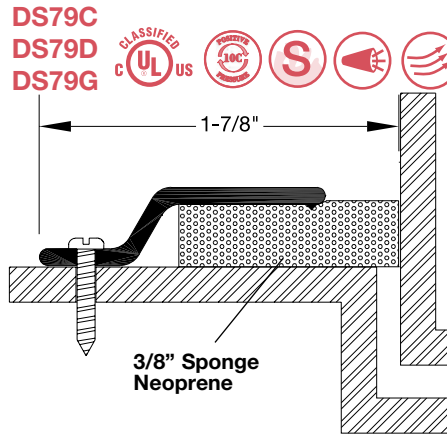
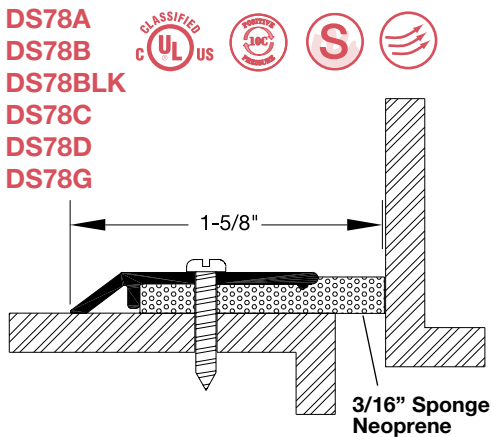
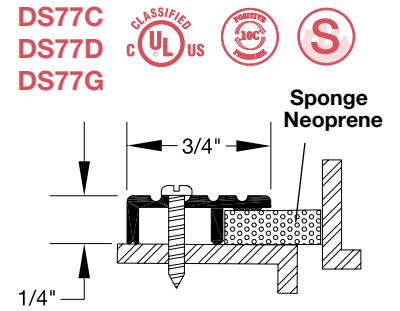
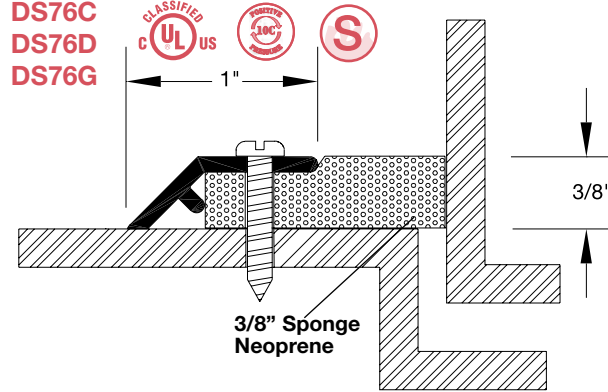
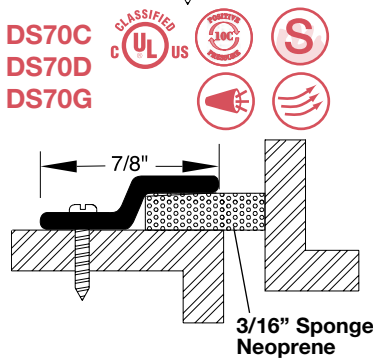
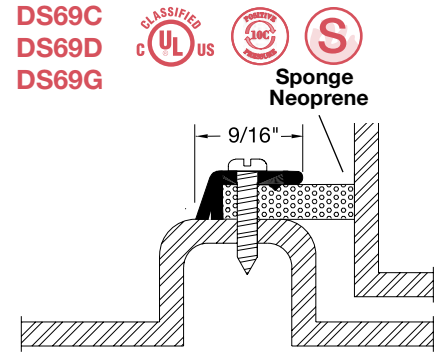
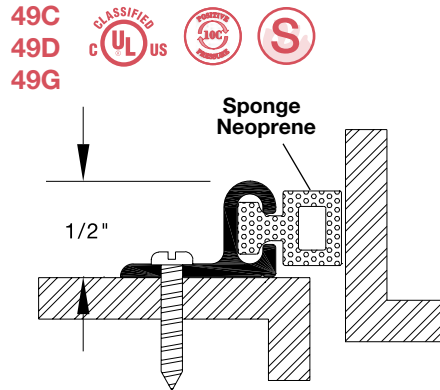
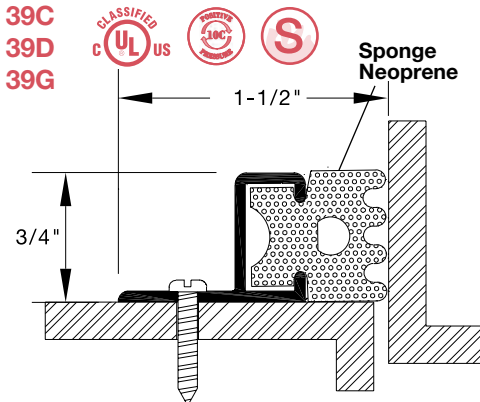
- Withstands a wide variety of temperature extremes and remains flexible from -75°F to 400°F.
- Retains softness indefinitely – will not deteriorate under normal exposure.
- Resists compression set – lower than thermal plastic elastomers.
- Resists fungus, mildew, moisture and steam.
- Unaffected by sunlight, ozone and ultraviolet rays.
- Nontoxic.



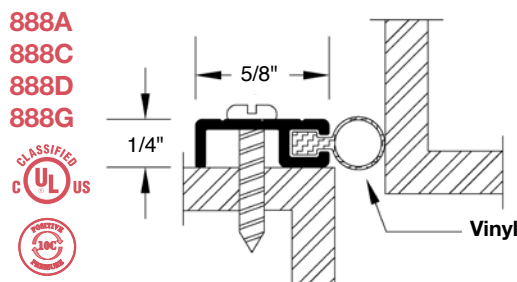
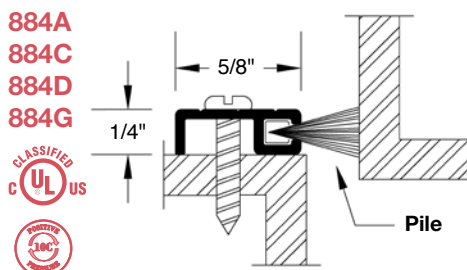
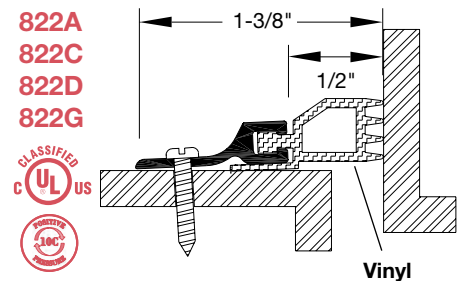
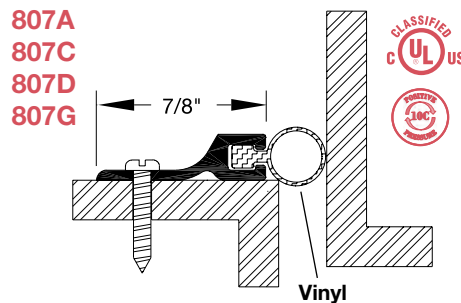
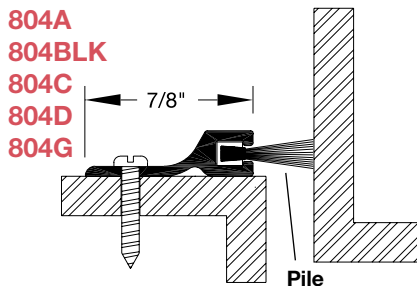
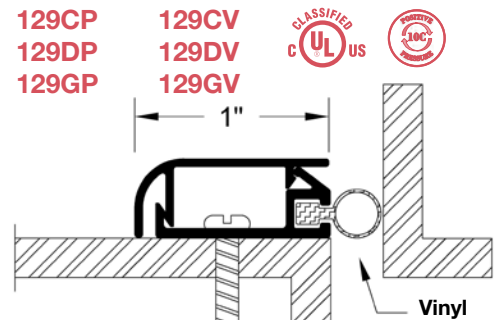
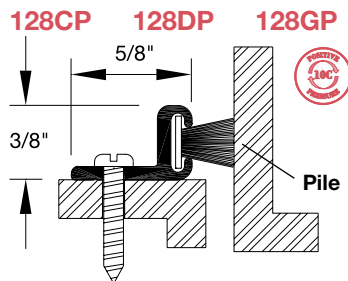
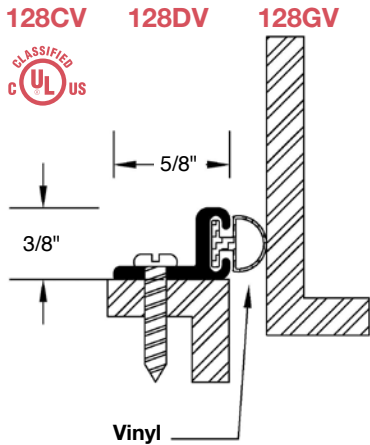
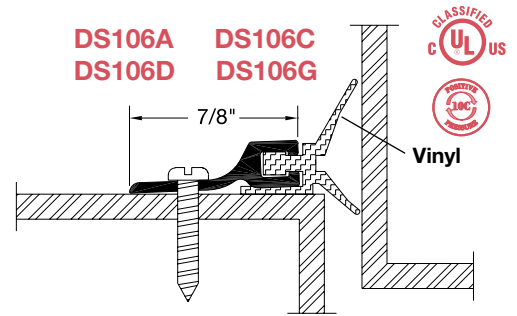
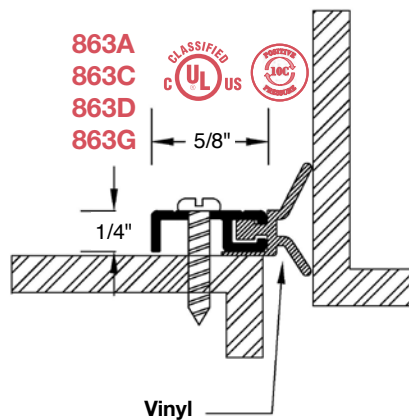
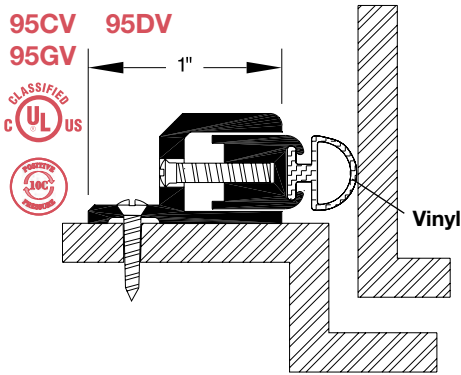
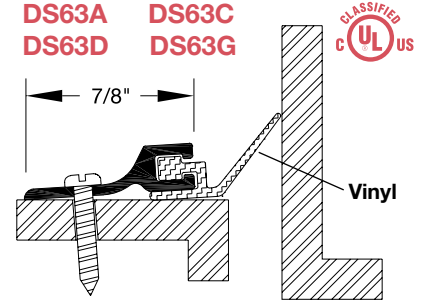
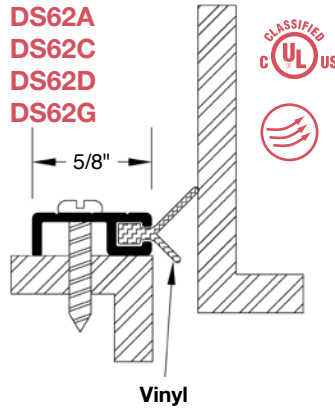
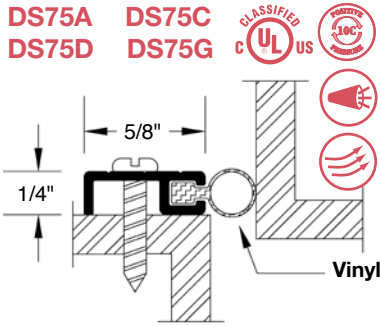
Neoprene

Sponge Neoprene is one of the most popular elastomers because it provides an all-purpose balance of properties.

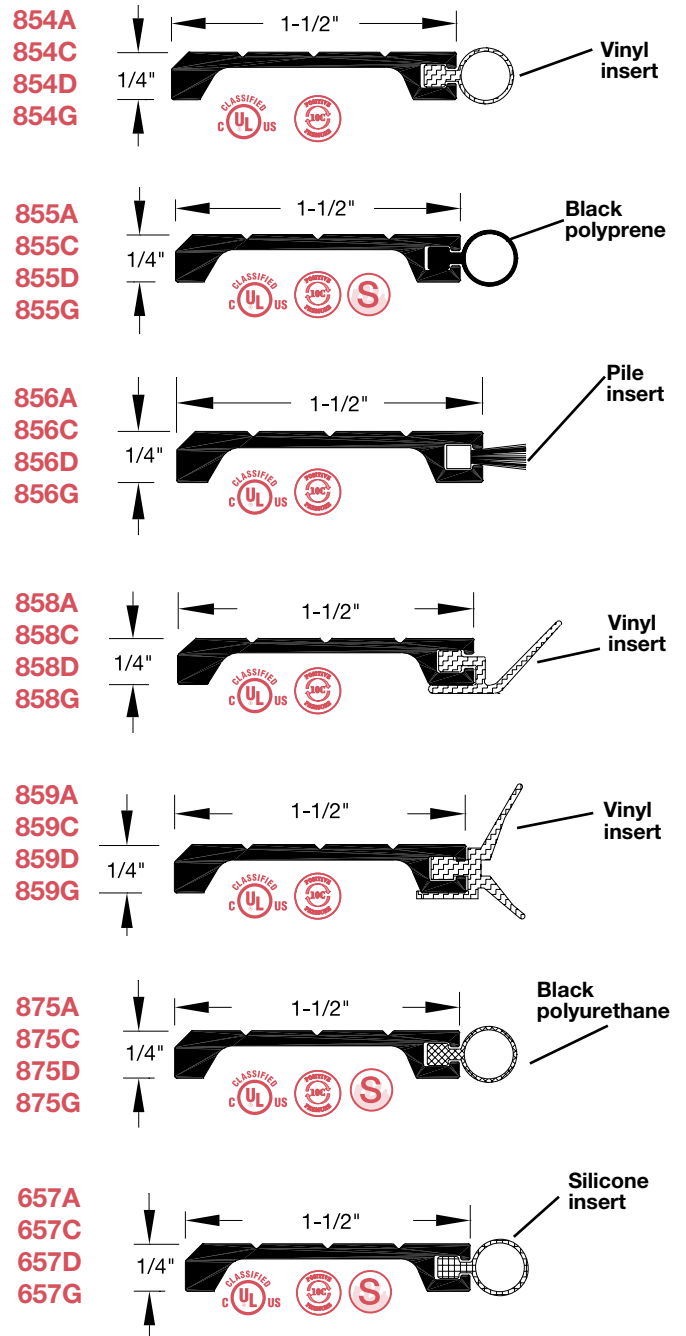
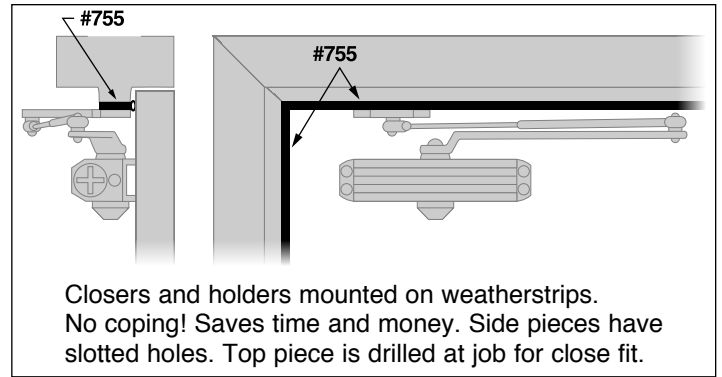
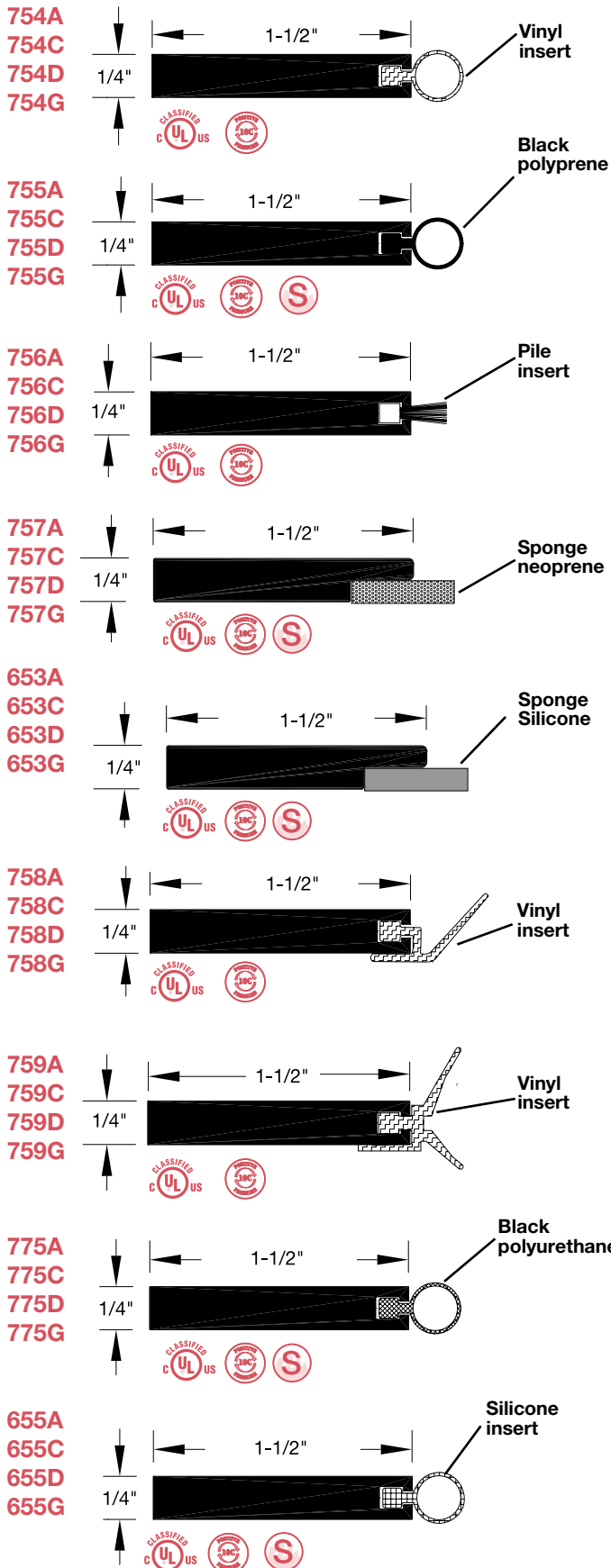
- Withstands temperatures from -40°F to 200°F.
- Weathers well – resists ozone, sunlight and oxygen aging.
- Relatively low compression set – good resilience.
- Very good resistance to abrasion and flex cracking.



Vinyl and Pile Weatherstrips

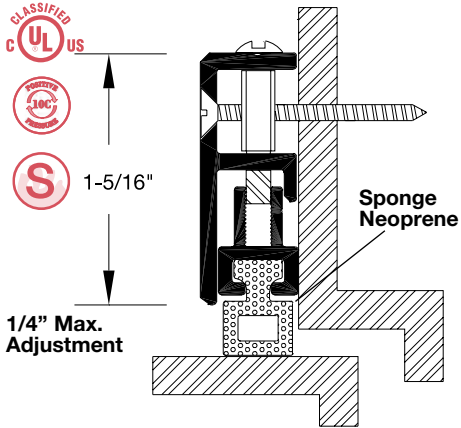


Hardware Compatible Weatherstrips

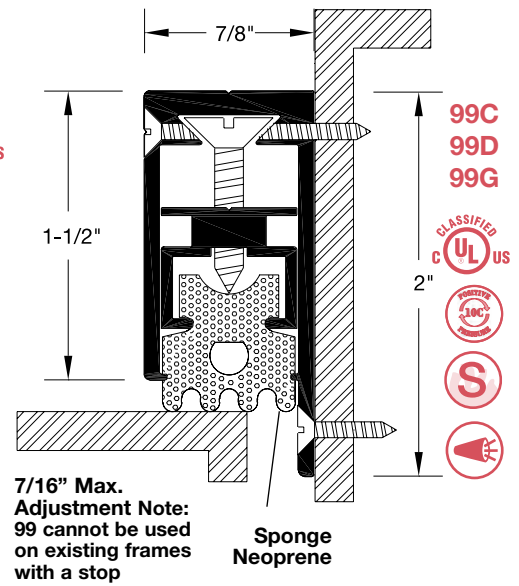
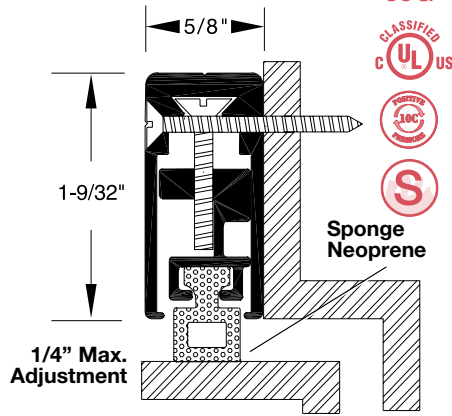


Adjustable Door Stops

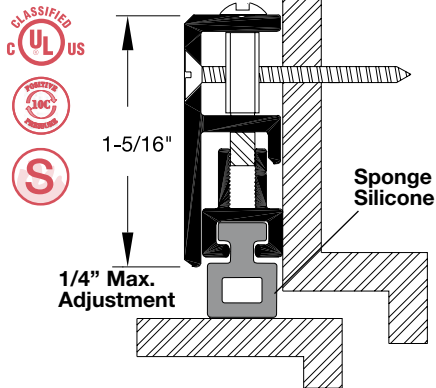
33C
33D
33G



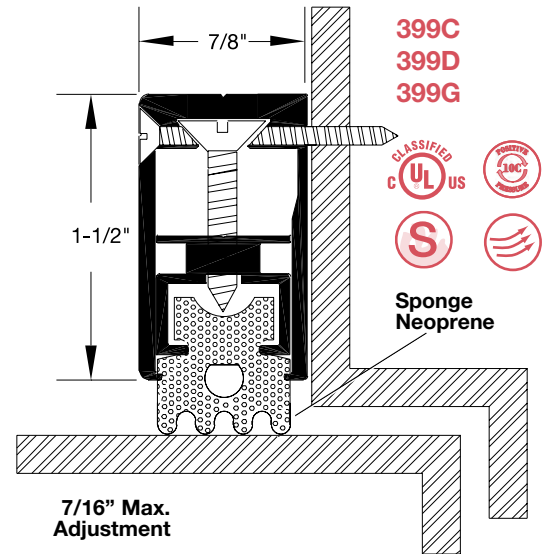
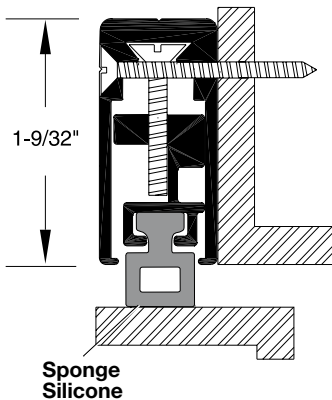
59C
59D
59G



633C
633D
633G



659C
659D
659G

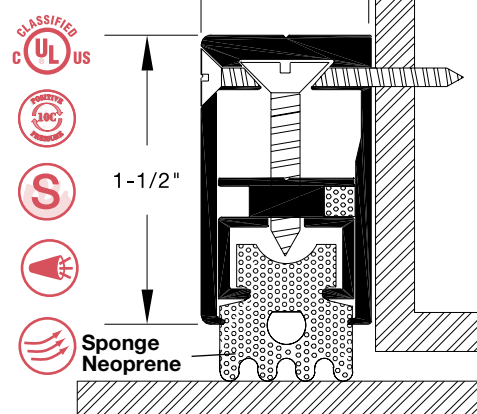


PLEASE NOTE: These products have been fire rated for use as perimeter seals only and shall not be used in lieu of an integral pressed steel stop on fire rated installations.

For heavy duty use, specify 59, 99, 399, or 599 which feature a captive adjustment screw drilled and tapped into the solid bar. One side of each piece mitered if ordered in sets.

Where adjustable door stops are applied on top of existing stops, it is recommended that locks with 3-3/4" backsets be used rather than locks with a 2-3/4" backset. This allows adequate space between the door knob and the weatherstrip.

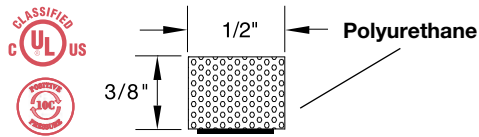
599C
599D
599G



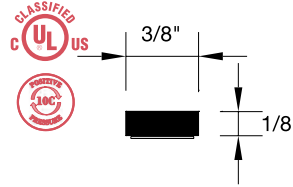
Self Adhesive Strips

Note: All self adhesive weatherstrips must be applied on clean, dry frames between +50 degrees and +100 degrees F. Smoke seals have a pre-installation shelf life of 6 to 9 months.

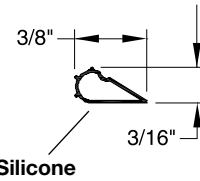
608 — 3/8" x 1/2" x 25 ft.



631 — 1/8" x 3/8" x 50 ft.



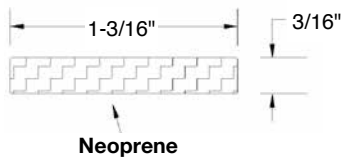
638CH



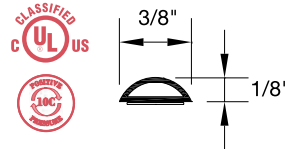
Silicone

Charcoal color
Available in 17', 19', 21', 25' and 500' rolls

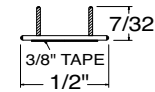
628 — 1-3/16" x 3/16" x 96 in.



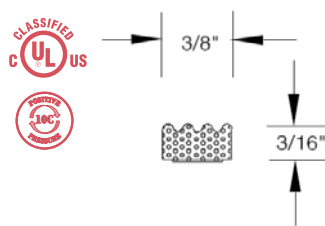
632 — 1/8" x 3/8" x 100 ft.



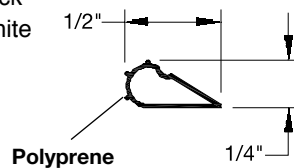
792B Black
Lengths:
84" up to 108"



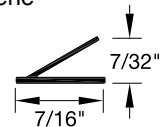
629 — 3/16" x 3/8" x 50 ft.



797B Black
797W White

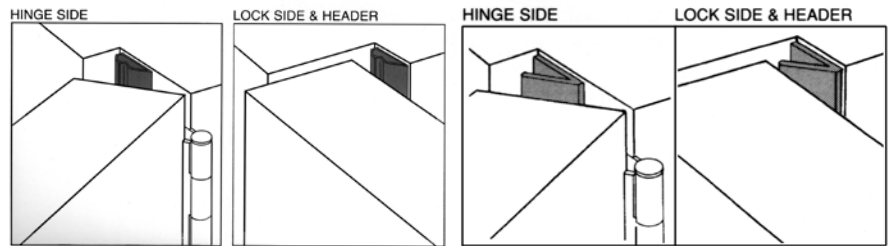
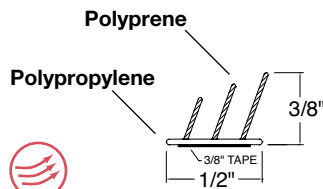


798B
Black Polypropylene



Available in 17', 19', 21', 25' and 500' rolls.

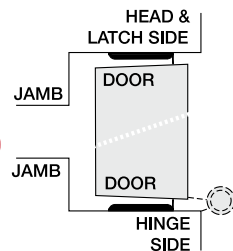
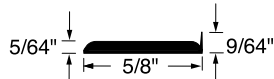
793B Black
793W White
Lengths to 36"
up to 144"



Combined Edge Sealing Systems/Smoke and Draft Control Gasketing

Required for Category 'B' fire-rated doors to meet **EDGE SEAL** and '**S**' LABEL

588CH Charcoal
588D Brown
588W White



1/8" clearance required between door and frame

Approved for installation with:

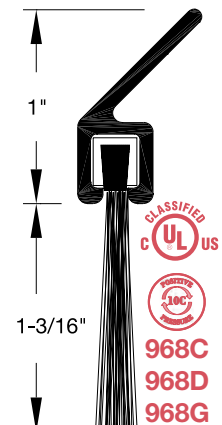
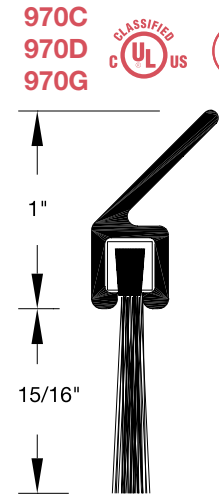
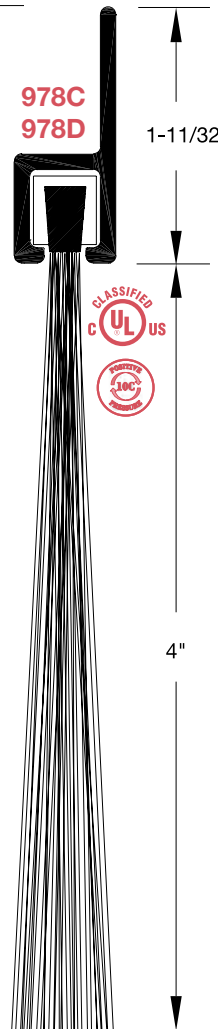
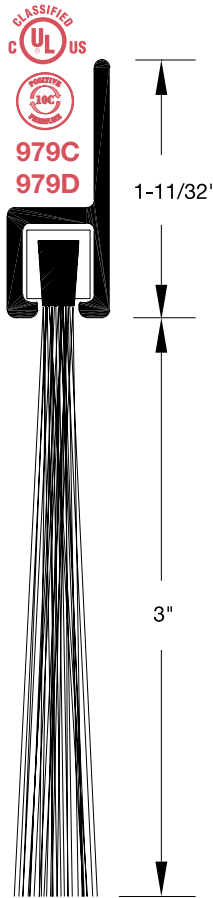
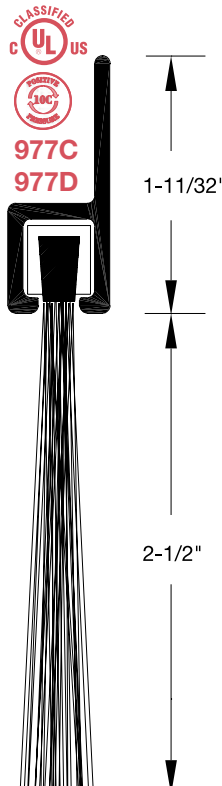
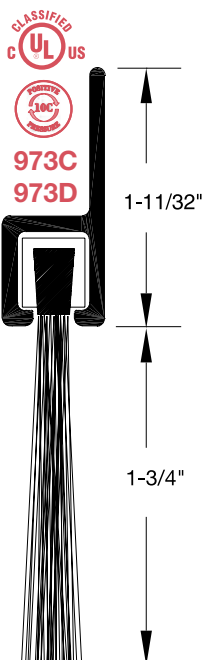
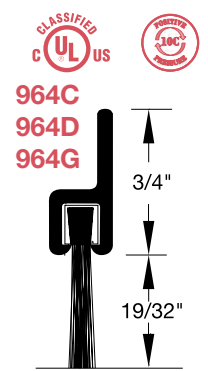
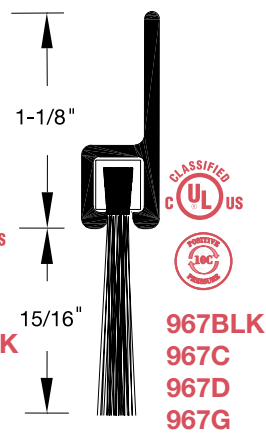
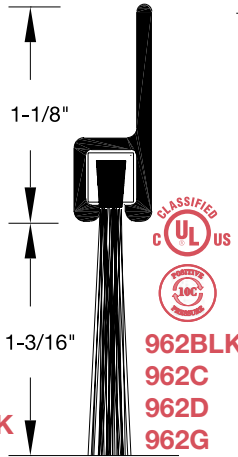
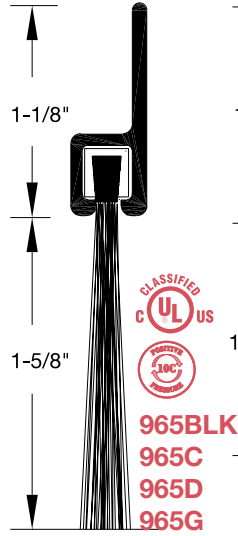
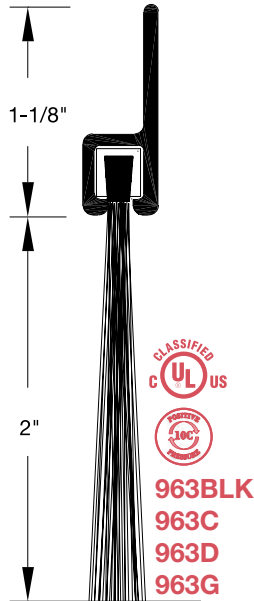
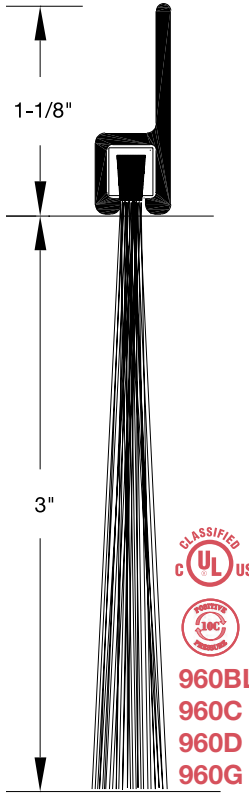
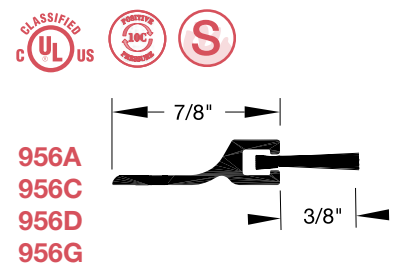
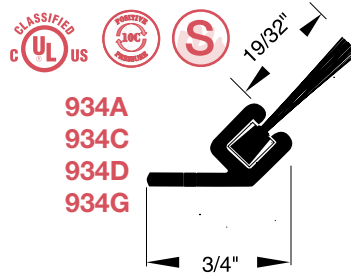
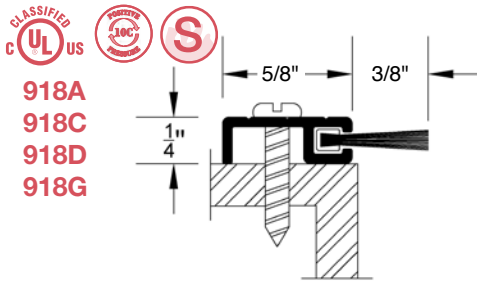
- Listed Wood Core Fire Doors with Wood or Steel Fire Door Frames rated 20 minutes (with hose stream)
- Listed Mineral Core Fire Doors and Steel Fire Door Frames rated 45, 60, 90 minutes

Part 588 has been tested to the requirement of UL 10C (1998), ASTM E152-81a, NFPA 252 (1995), UL 10B (1997), UBC 7-2 (1994)

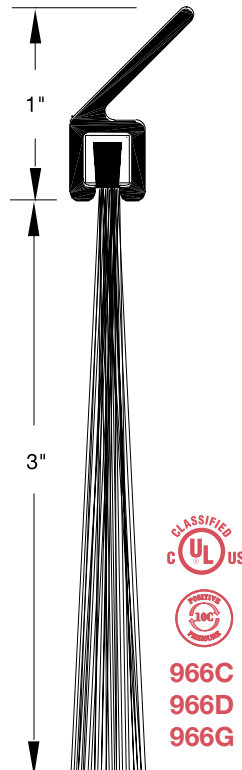
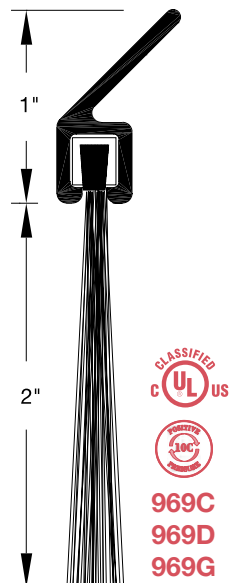
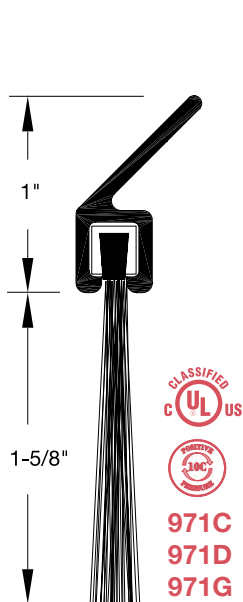
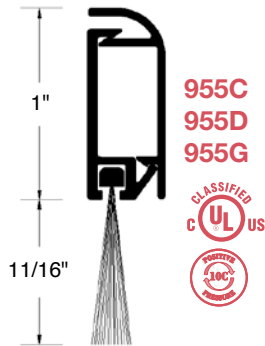
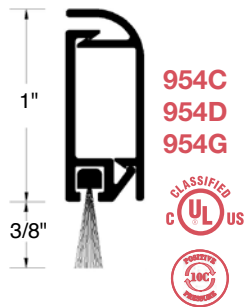
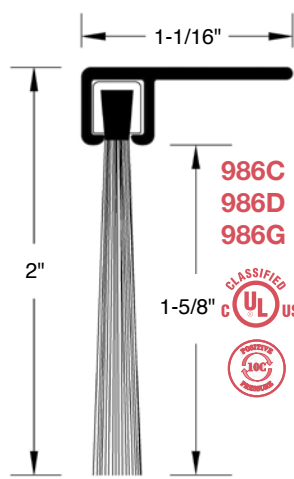
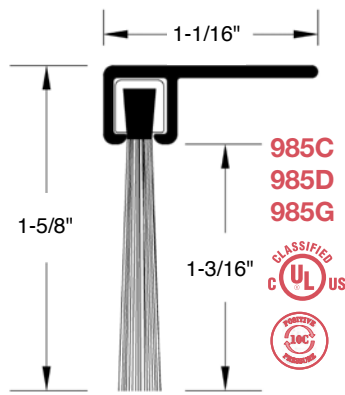
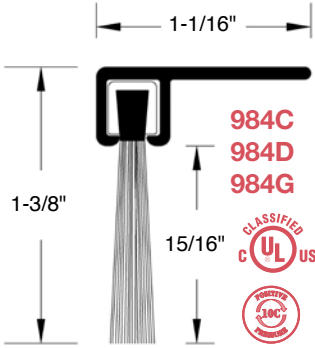
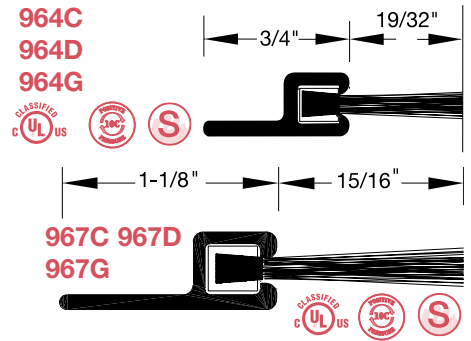
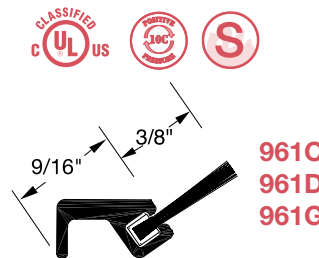
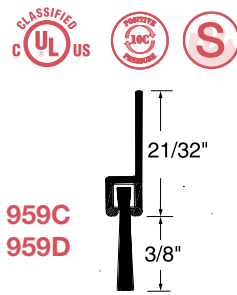
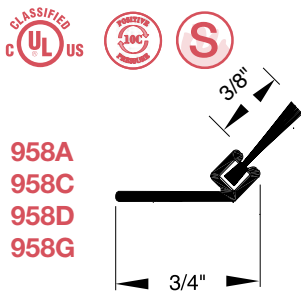
CATEGORY G LISTED and **CATEGORY H LISTED**

- High performance graphite-based intumescent with a protective PVC covering.
- Has fin on one side to help seal for smoke and draft control
- Expands and seals around door when heated — allows door to operate if needed
- Supplied in roll form -- lengths of 18', 21' and 24'

Nylon Brush

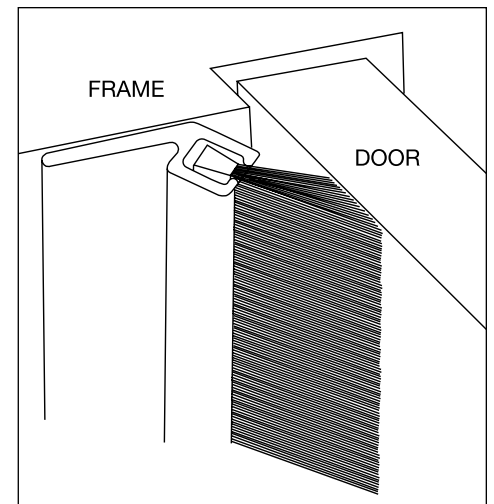


To receive UL label on parts, add prefix "F-" when ordering

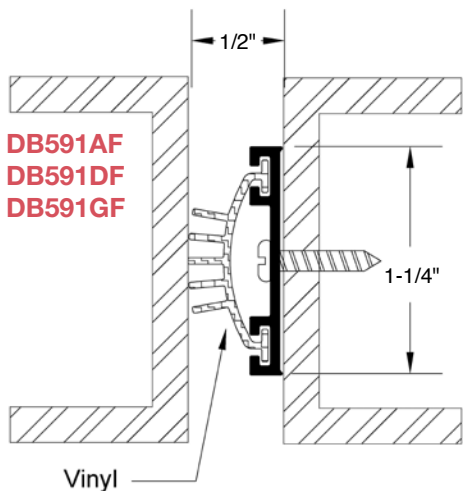
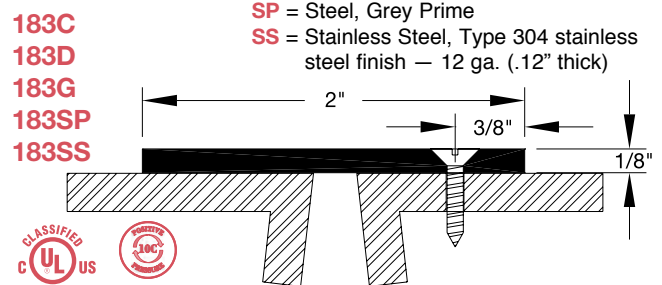
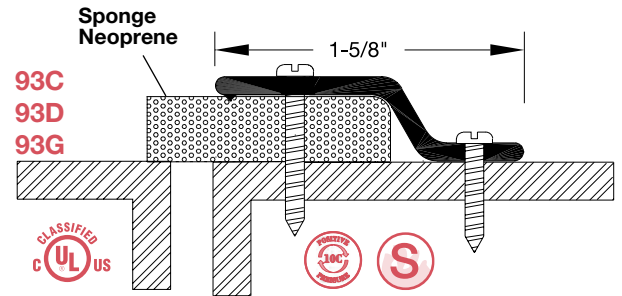
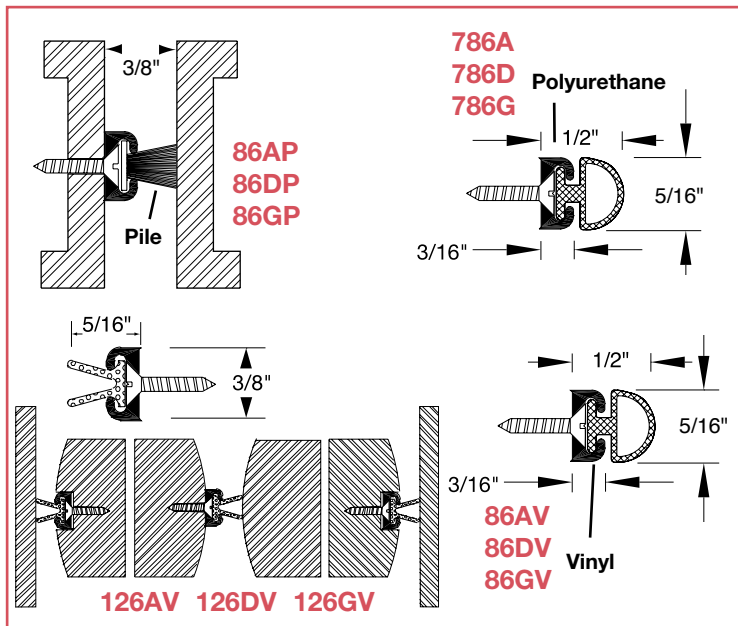


Reese brush type seals:

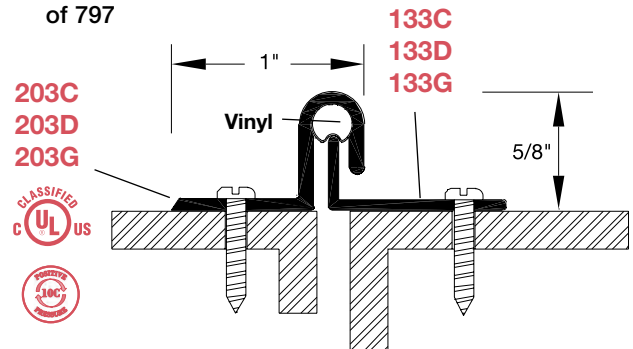
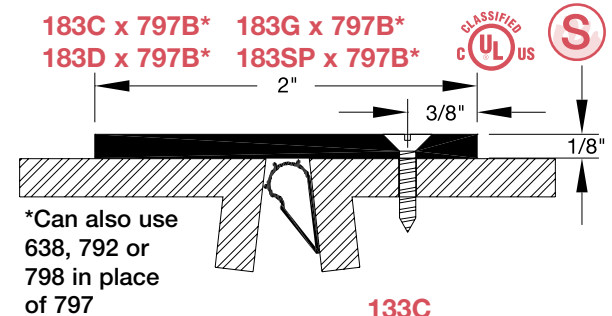
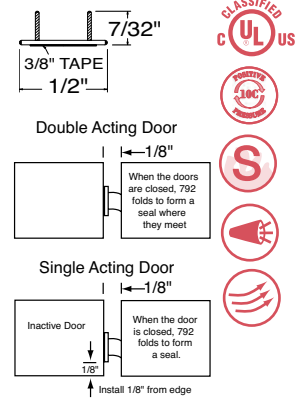
- Provide a 98% effective air tight seal.
- Help prevent heat or cooling loss.
- Help protect against unwanted penetration of smoke, fumes, insects, rodents, snow, light, rain and wind.
- Offer superior seal capabilities and very low closing force.
- Remain flexible at -70 degrees below zero.
- Offer easy installation and adjustment with pre-slotted holes (most sizes).



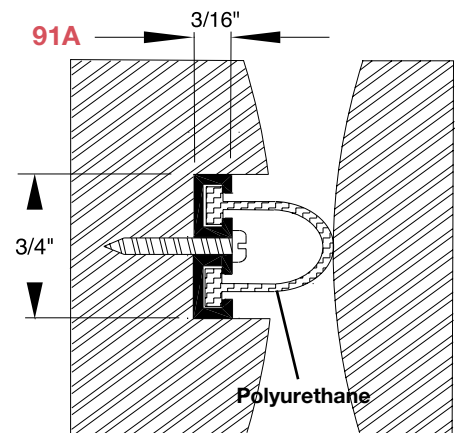
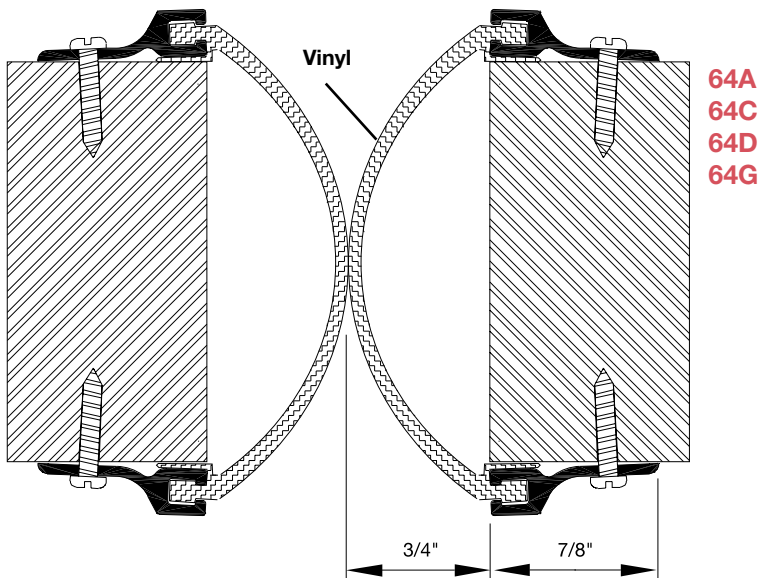
Astragals



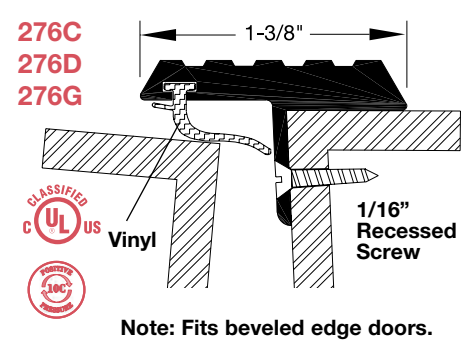
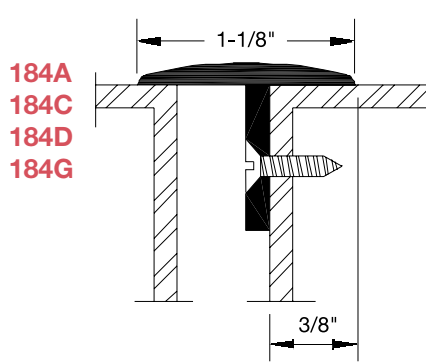
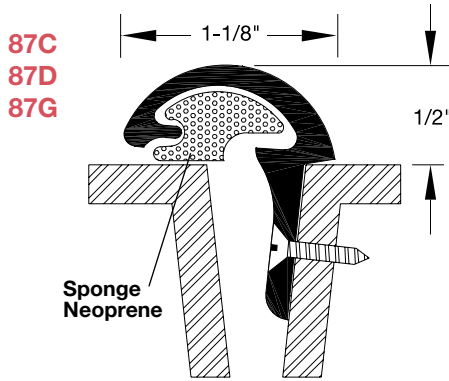
792B Black
Lengths: 84\" up to 108\"



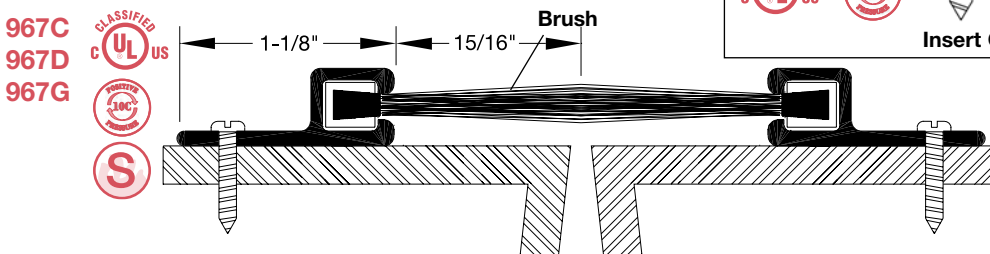
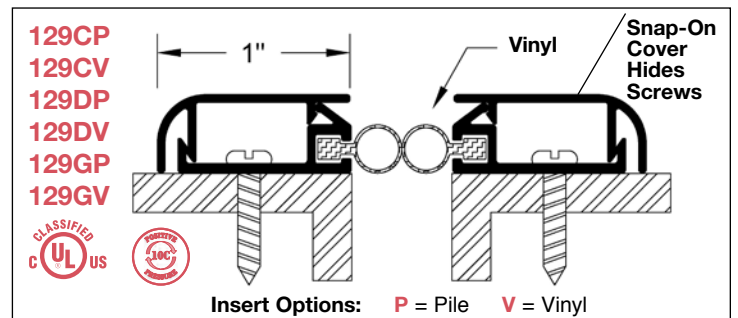
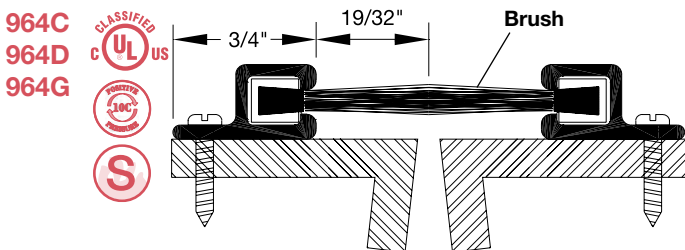
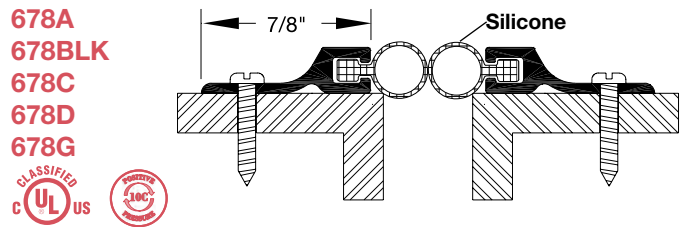
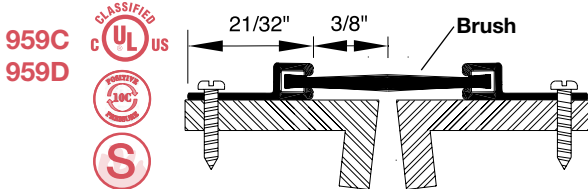
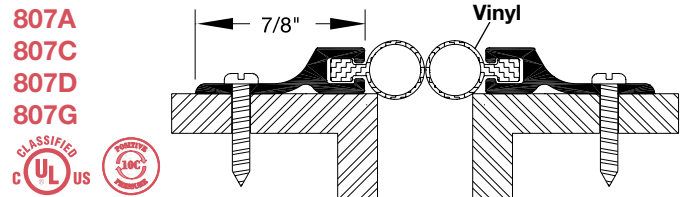
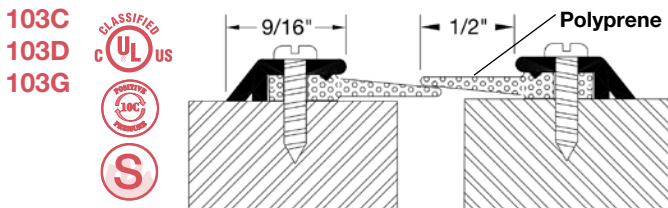
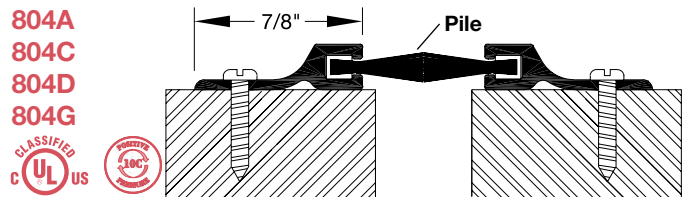
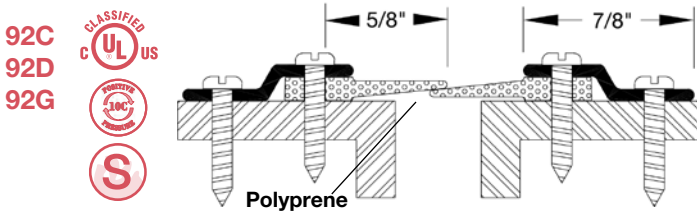
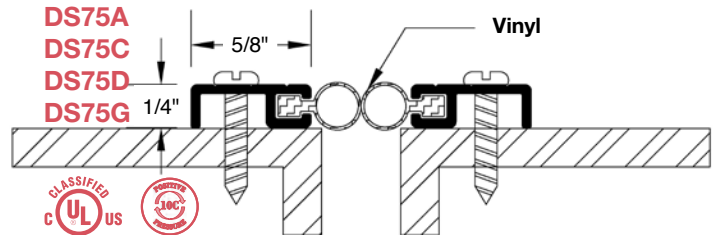
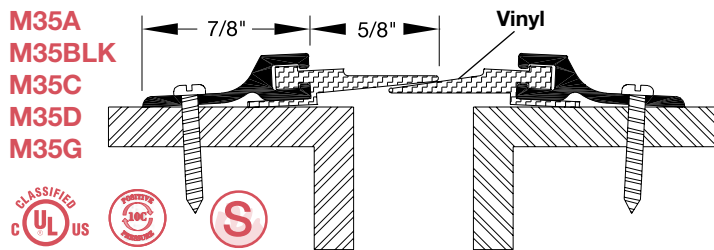
Note: When used as a meeting stile astragal on double doors, two lengths must be ordered, one for each door.



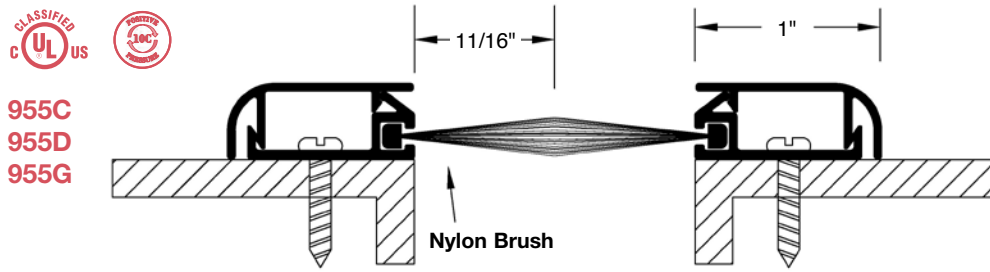
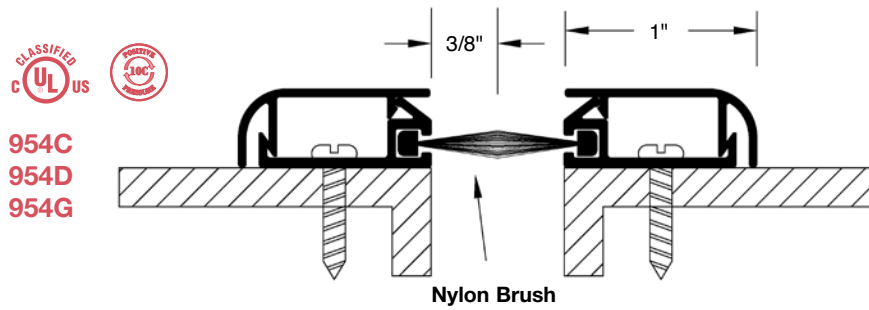
To receive UL label on parts, add prefix "F-" when ordering



Meeting Stile Astragal



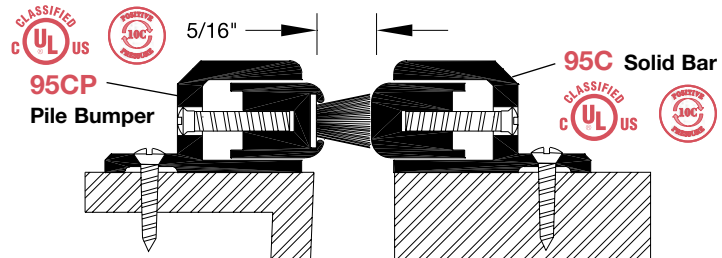
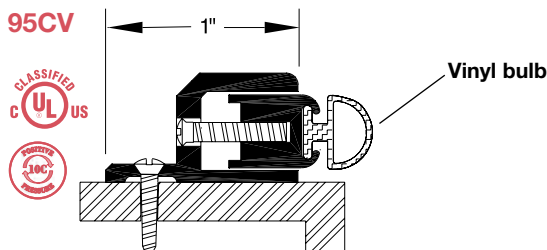
NOTE: When used as a meeting stile astragal on double doors, two lengths must be ordered — one for each door.



Adjustable Surface Astragal

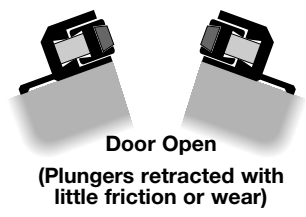
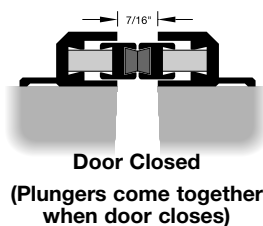
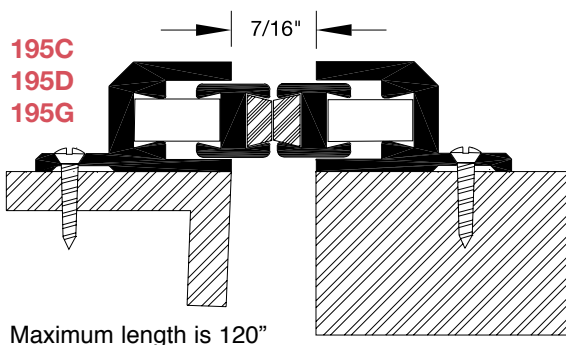
- | | | | | |
|-------------|-------------|--------------|-------------|------|
| 95C
95CP | 95CV
95D | 95DP
95DV | 95G
95GP | 95GV |
|-------------|-------------|--------------|-------------|------|

When used as an astragal on double doors, two lengths must be ordered — one for each side.

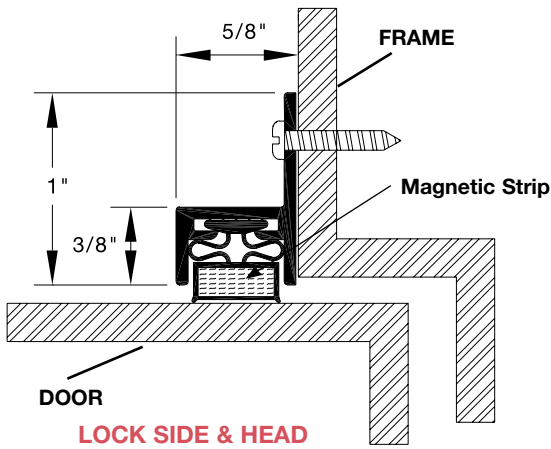


Self Adjusting Magnetic Astragal

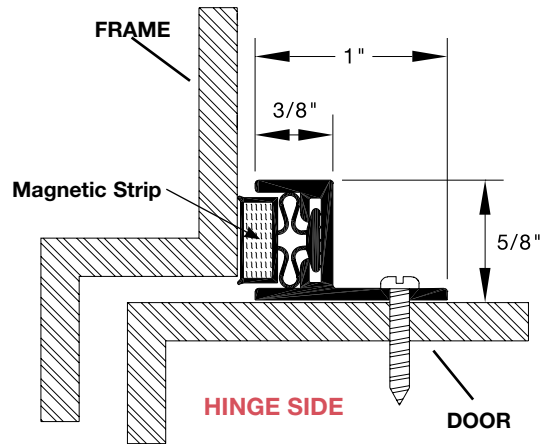
(Patent No. 3,487,581)
Sold in sets only
*Interior Application Only



Magnetic Weatherstrip



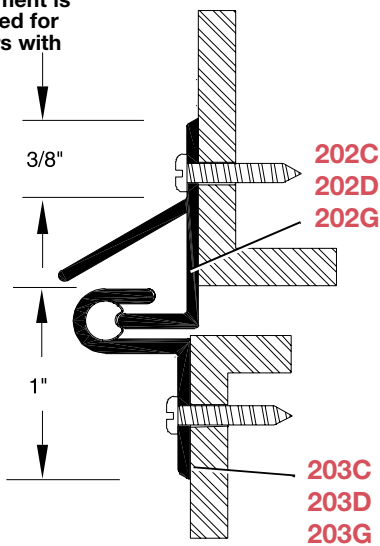
574C
574D
574G



Available sizes: 36", 48", 84" and 96"

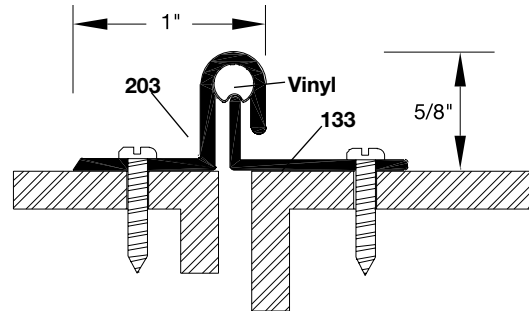
Interlocking Weatherstrip

This equipment is ideally suited for metal doors with transoms.



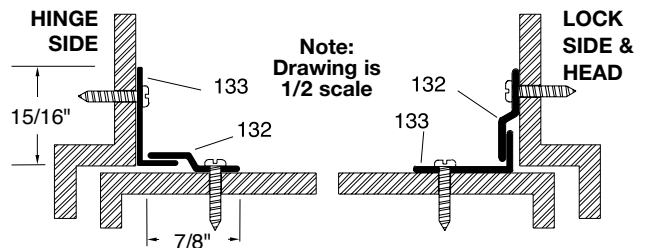
133C
133D
133G

203C
203D
203G



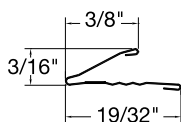
132C
132D
132G

133C
133D
133G

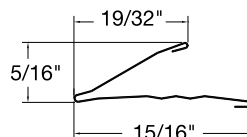


Spring Bronze

340
Bronze Lockstrip 8"



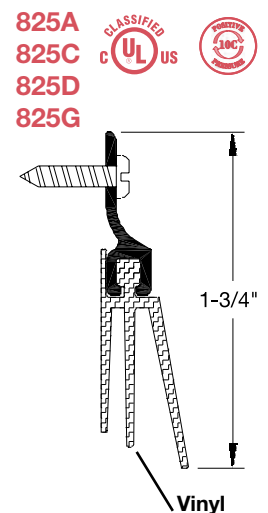
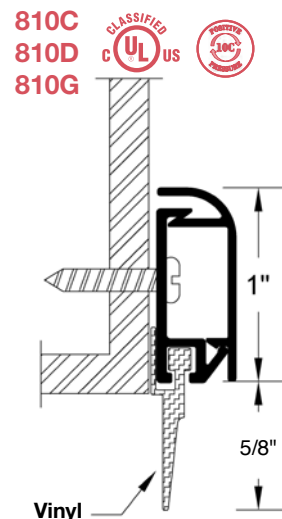
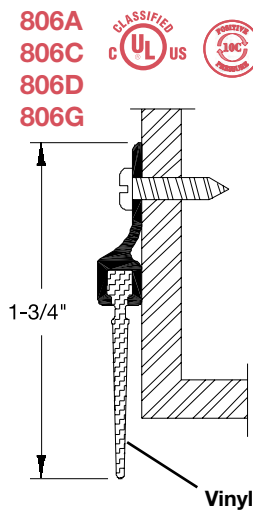
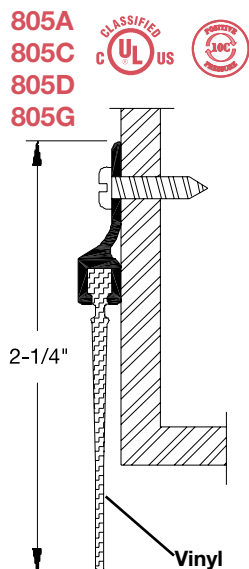
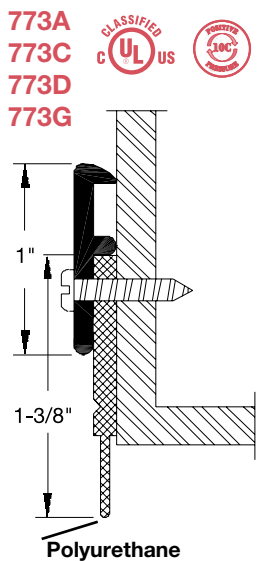
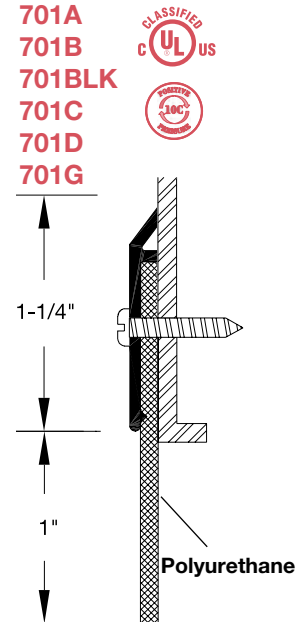
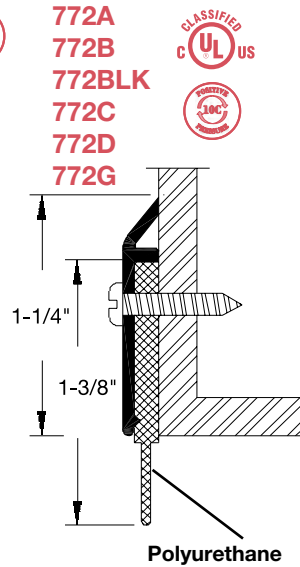
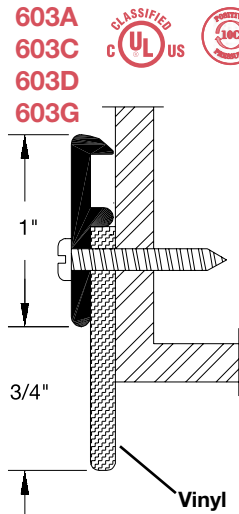
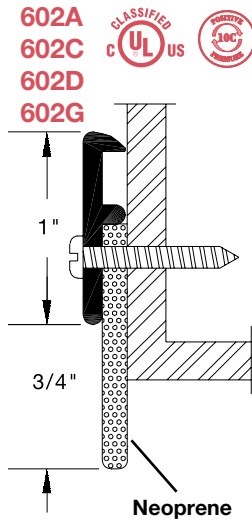
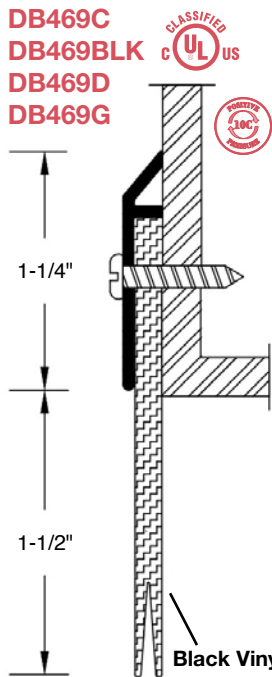
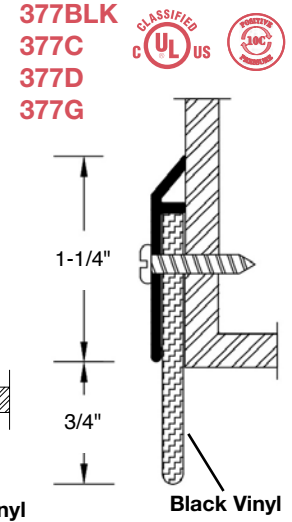
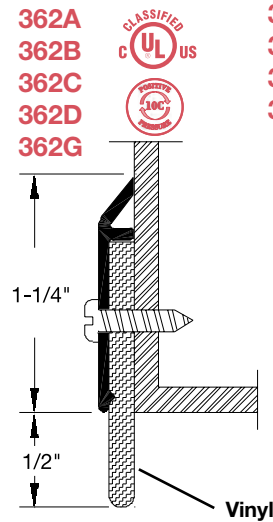
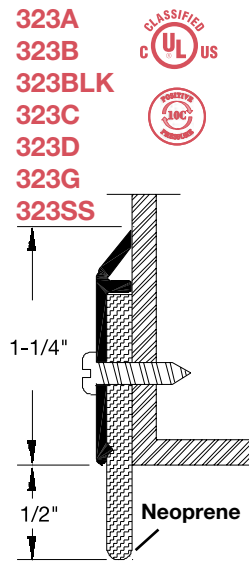
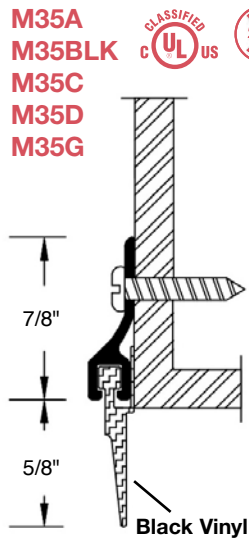
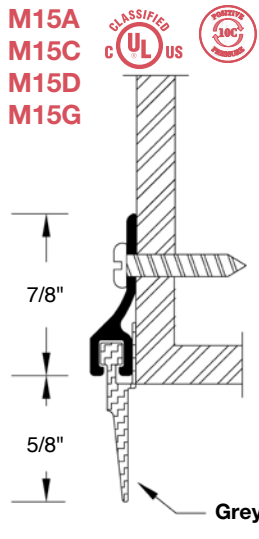
350
(.006" Bronze)



DKB3

Sets include (2) 4 ft. and (3) 3 ft. pieces of 350 spring bronze with a lockstrip and nails. For 36" x 84" door.

Door Sweeps



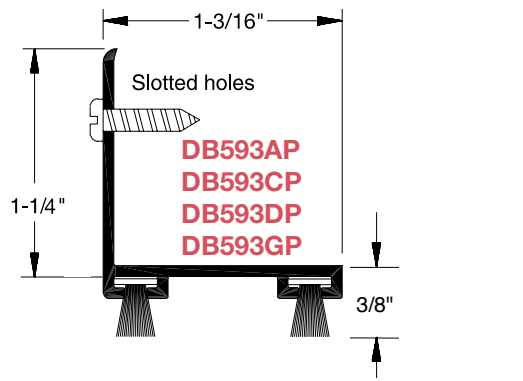
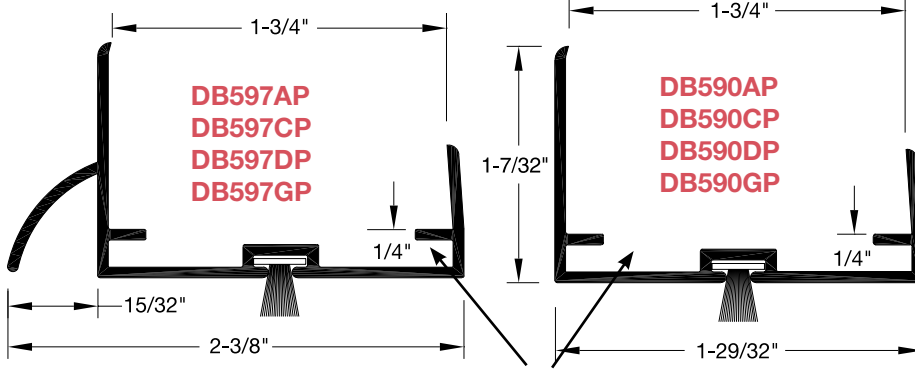
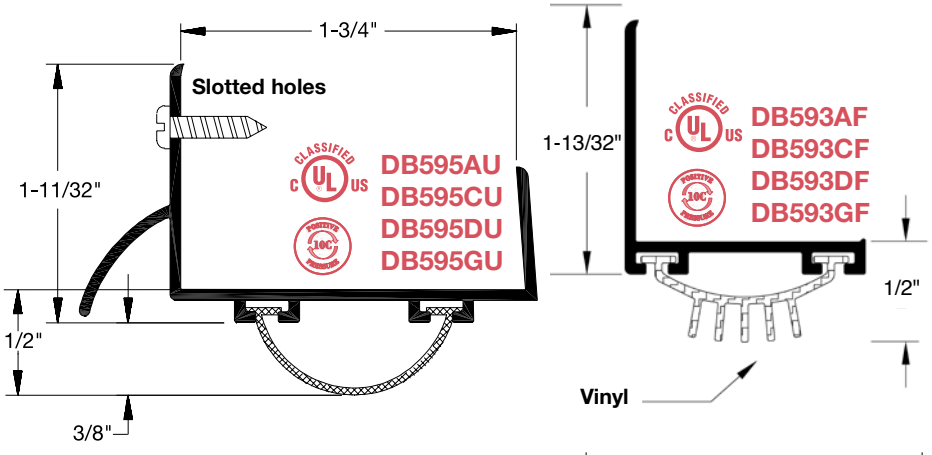
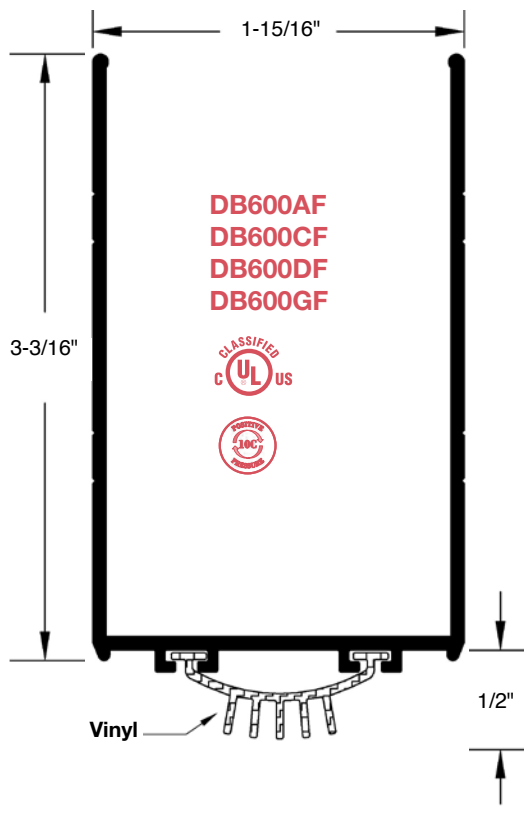
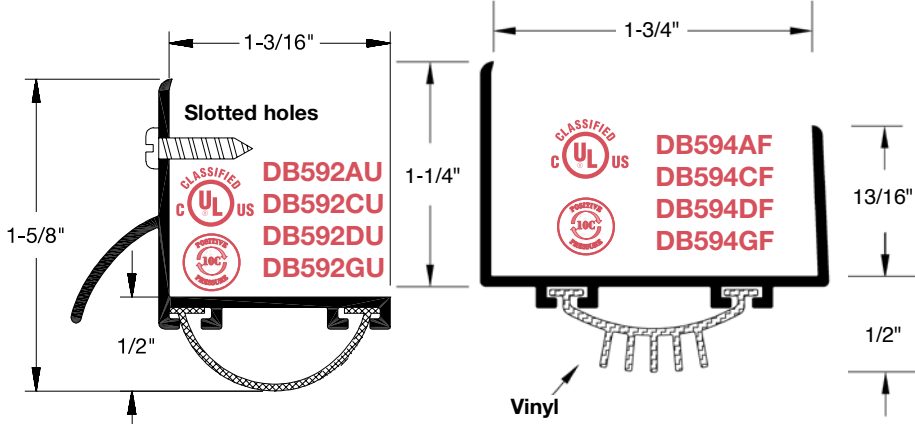
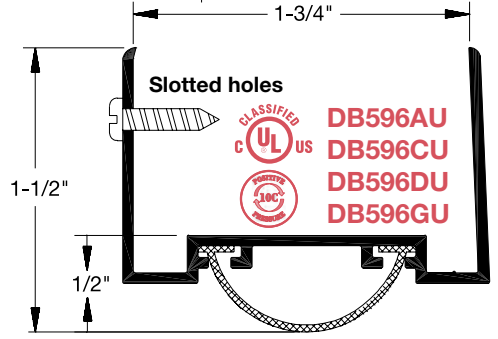
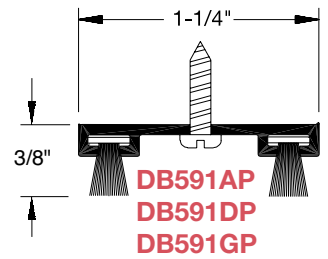
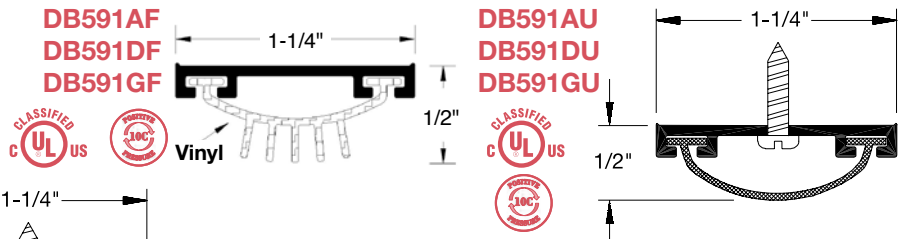
Polyurethane, Vinyl and Pile Seals

All products on this page are available in the following options when including the corresponding suffix:

1. U.L. rated, vinyl insert with fingers when adding the suffix "F" to the order.
2. Pile insert when adding the suffix "P" to the order.
3. U.L. rated, smooth, polyurethane insert when adding the suffix "U" to the order.

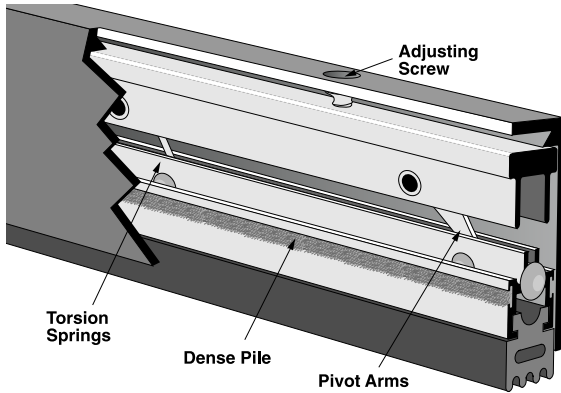
NOTE: ORDERS WITH NO SUFFIX WILL AUTOMATICALLY RECEIVE FINGERED VINYL INSERTS.

Examples: DB596DU – specifies DB596 extrusion with dark bronze finish and a smooth polyurethane insert. DB596AF – specifies DB596 mill extrusion and a fingered vinyl insert.



Door Extenders

Automatic Door Bottoms



The Reese No. 521 Automatic Door bottom offers positive sound control for all swinging doors up to 8 feet wide. Our patented design combines low operating force with an adjustable sealing bar. Used in conjunction with Reese No. 599 Head and Jamb Seal, it achieved an amazing STC Rating of 46! See page 27 for test results.

Automatic door bottoms:

18" to 24" cannot be trimmed.

36", 42" and 48" can be trimmed up to 3"*.

Other sizes can be trimmed up to 1"***.

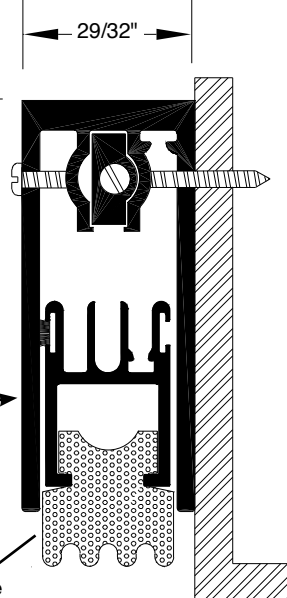
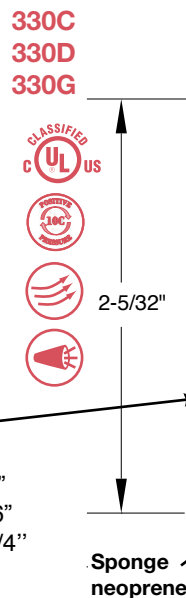
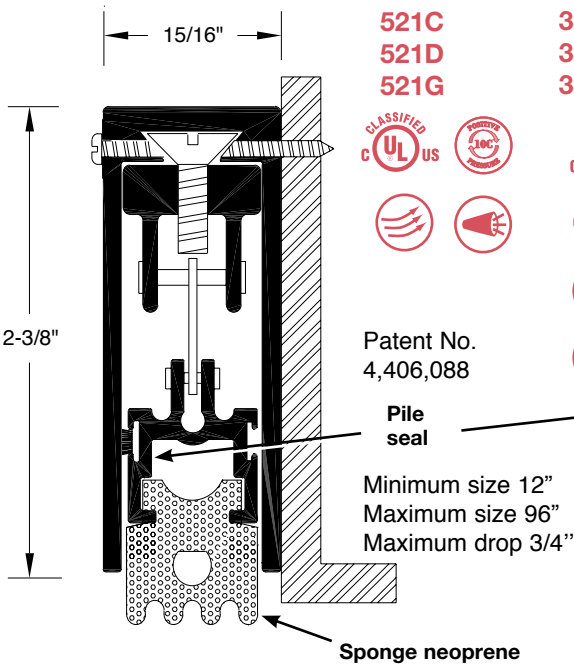
When mortising door bottoms add 1/16" to 1/8" to part dimension.

*Reese Part No. 321 can only be trimmed 1" at the size 42".

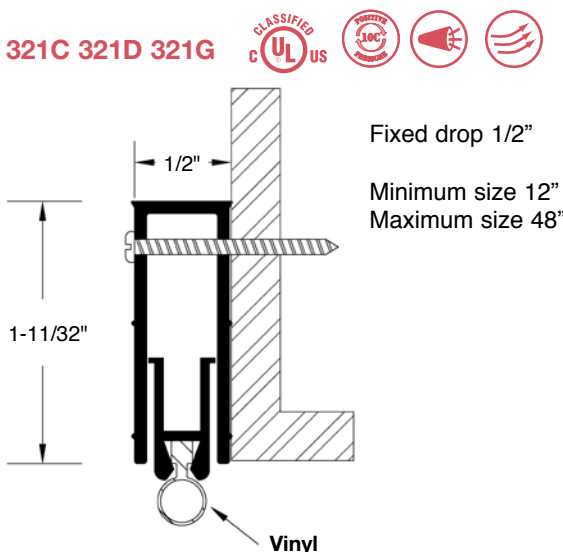
**Reese Part No. 370 can be trimmed up to 2" in all sizes.

PLEASE NOTE:

Door bottoms are NOT DESIGNED TO SEAL DIRECTLY ON CARPET. For best results door bottoms should seal on a solid surface. The solid surface should be positioned above the level of the floor covering on either side of the door.



Minimum size 24"; Maximum size 48"; Maximum drop 3/4"



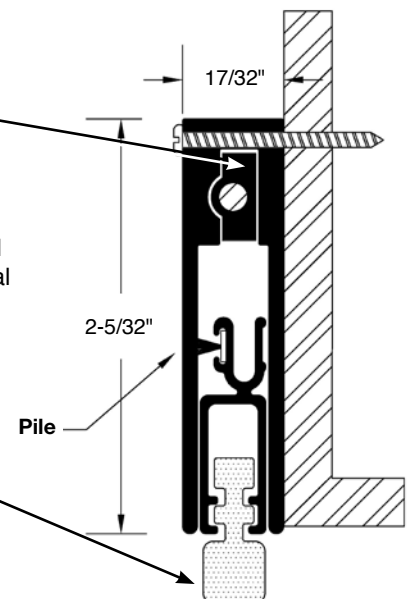
320C 320D 320G

Adjusting screw

Radiation shielding lead bars available on special order.

Minimum size 24"
Maximum size 48"
Maximum drop 3/4"

Sponge Neoprene



Mortised Automatic Door Bottoms



Automatic door bottoms:
 18" to 24" cannot be trimmed.
 36", 42" and 48" can be trimmed up to 3"*.
 Other sizes can be trimmed up to 1"**.
 When mortising door bottoms add 1/16" to 1/8" to part dimension.
 *Reese Part No. 321 can only be trimmed 1" at the size 42".
 **Reese Part No. 370 can be trimmed up to 2" in all sizes.

PLEASE NOTE:

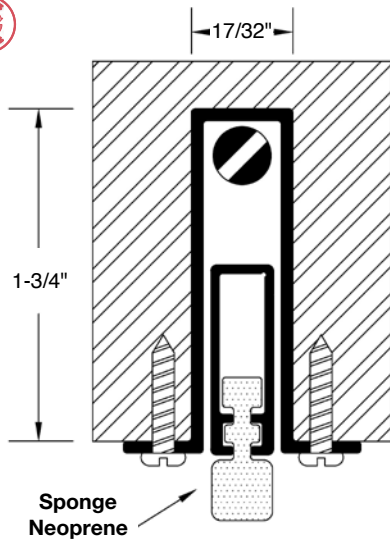
Door bottoms are NOT DESIGNED TO SEAL DIRECTLY ON CARPET. For best results door bottoms should seal on a solid surface. The solid surface should be positioned above the level of the floor covering on either side of the door.

370A

With sponge neoprene in bar

370A LEAD

With lead in bar for X-ray shielding
 Minimum size 24"
 Maximum size 60"
 Maximum drop 3/4"

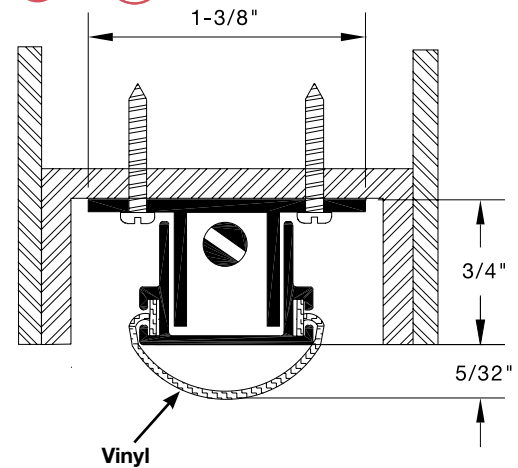


372A

FOR HOLLOW METAL DOORS

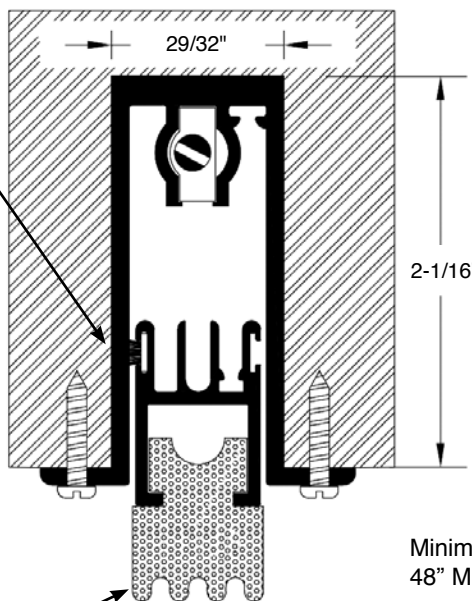
Completely concealed in bottom channel of hollow metal doors.

Minimum size 24"
 Maximum size 60"
 Maximum drop 1/2"
 36" pre-cut to 35-1/2"



430A

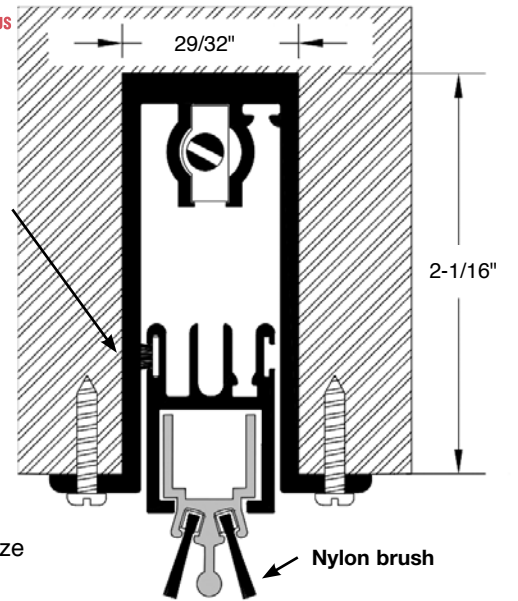
Pile seal



Sponge Neoprene

943A

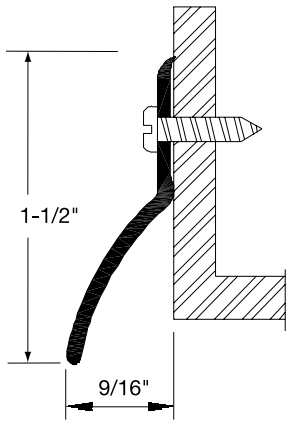
Pile seal



Nylon brush

Minimum size 24" Maximum size 48" Maximum drop 3/4"

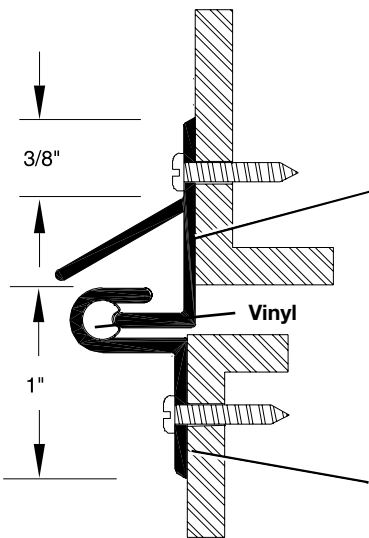
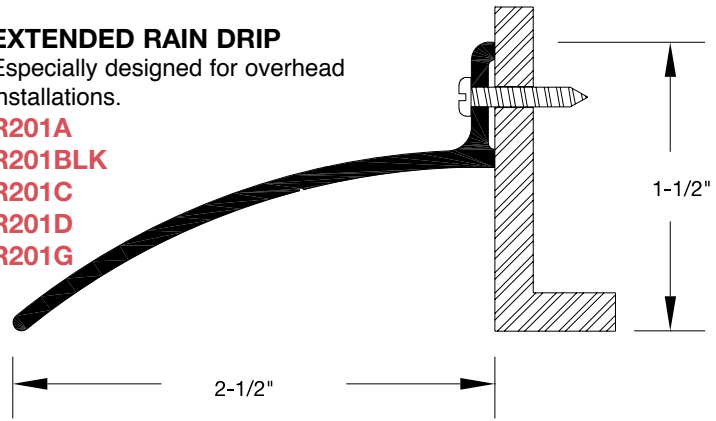
Rain Drips



R199A
R199B
R199D
R199G

EXTENDED RAIN DRIP
Especially designed for overhead installations.

R201A
R201BLK
R201C
R201D
R201G

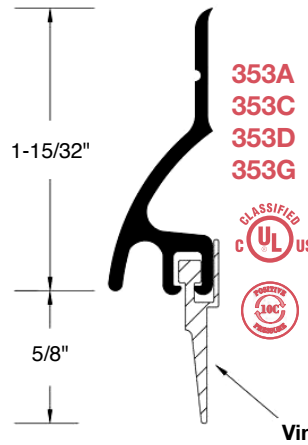


202C
202D
202G

INTERLOCKING WATER SHED

This equipment is ideally suited for metal doors with transoms.

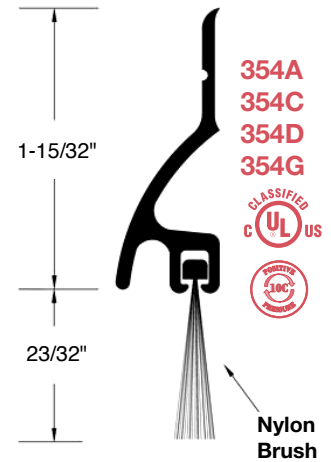
203C
203D
203G



353A
353C
353D
353G



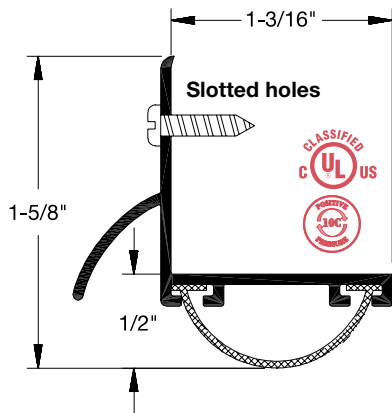
Vinyl



354A
354C
354D
354G

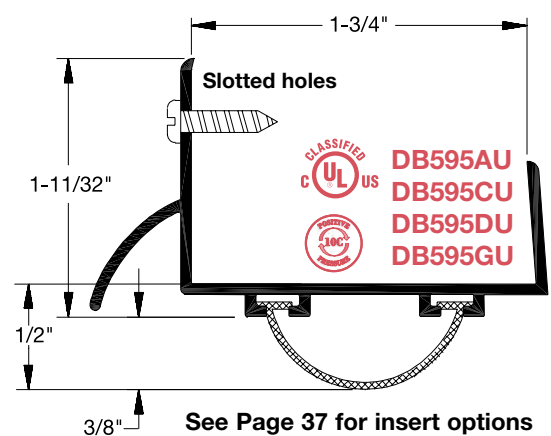


Nylon Brush



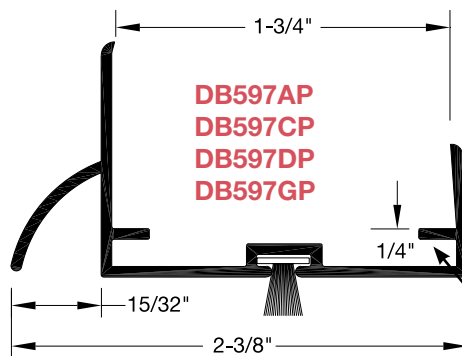
DB592AU
DB592CU
DB592DU
DB592GU

See Page 37 for insert options



DB595AU
DB595CU
DB595DU
DB595GU

See Page 37 for insert options



DB597AP
DB597CP
DB597DP
DB597GP

See Page 37 for insert options

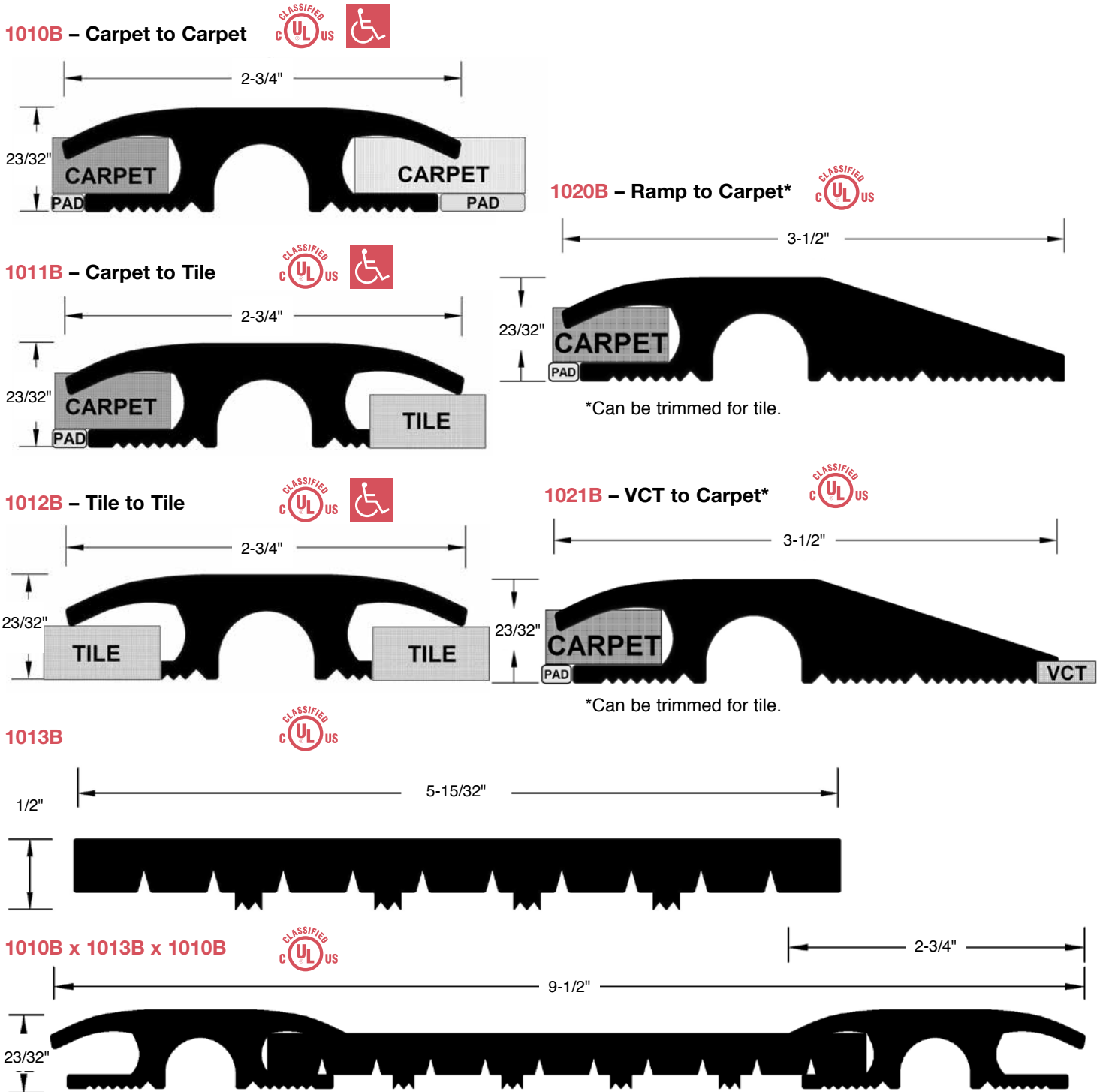
Door Extenders

Hospitality Thresholds

Easy to install vinyl thresholds and transition strips for heavy traffic uses.

- Effortlessly tuck carpet edges at the seams.
- Quickly cover transitions from tile or vinyl composite tiles.
- Painlessly trim thresholds to appropriate widths.
- Maintain ADA compliance (Transition strips 1010, 1011, and 1012 only)

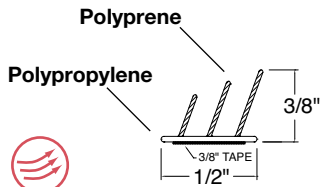
*Thresholds available in various colors. Contact customer service for additional options.



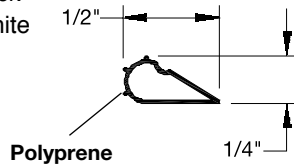
Thresholds available in various colors. Contact customer service for additional options.

Hospitality Quick Seal Adhesive

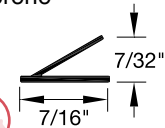
793B Black
793W White
Lengths to 36"
up to 144"



797B Black
797W White

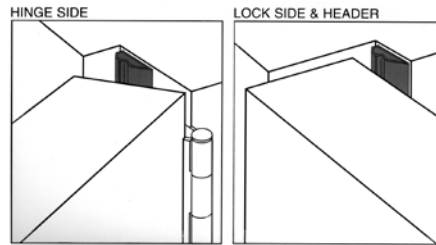
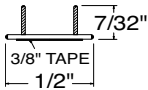


798B
Black Polyprene

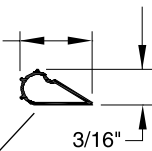
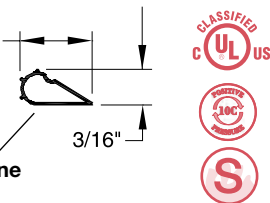


Available in 17', 19', 21', 25' and 500' rolls.

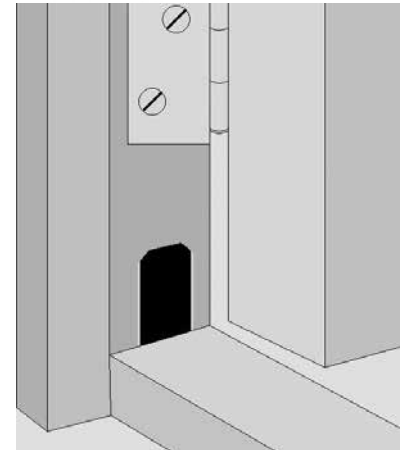
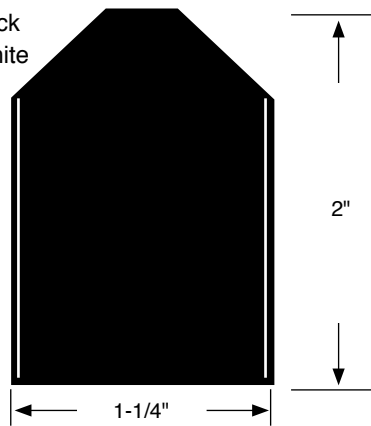
792B Black
Lengths:
84" up to 108"



638CH 3/8"



CP6B Black
CP6W White



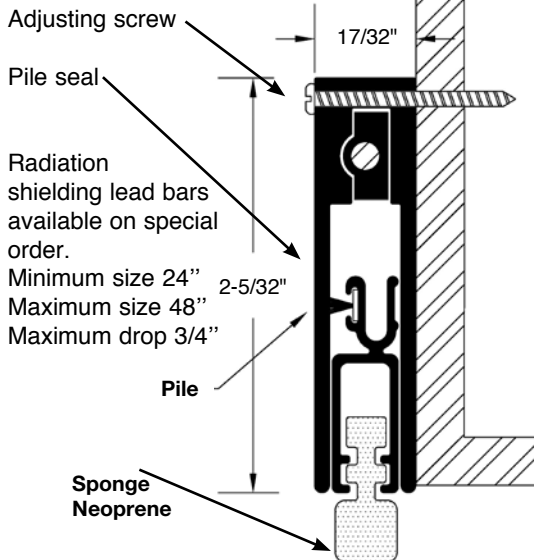
Charcoal color
Available in 17', 19', 21', 25' and 500' rolls

Note: All self-adhesive weatherstrips must be applied on clean, dry frames between +50°F and +100°F. Smoke seals have a pre-installation shelf life of 6 to 9 months.

Hospitality Automatic Door Bottoms



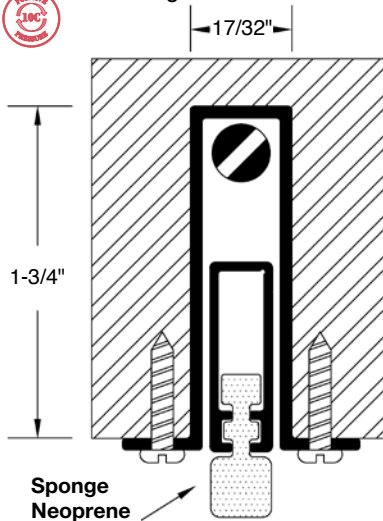
320C 320D 320G



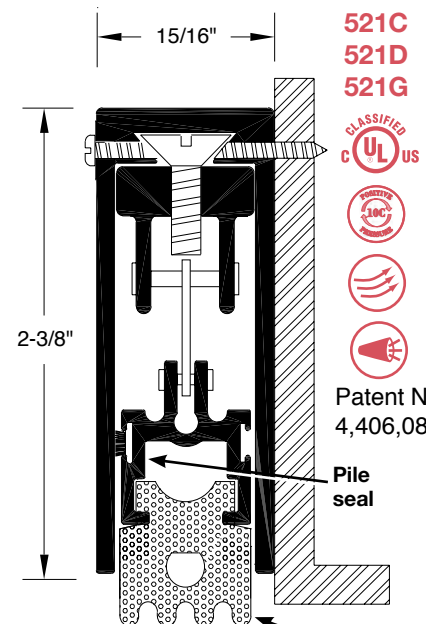
370A
With sponge neoprene in bar



370A LEAD
With lead in bar for X-ray shielding



Minimum size 24". Maximum size 60"
Maximum drop 3/4".



521C
521D
521G

Patent No. 4,406,088

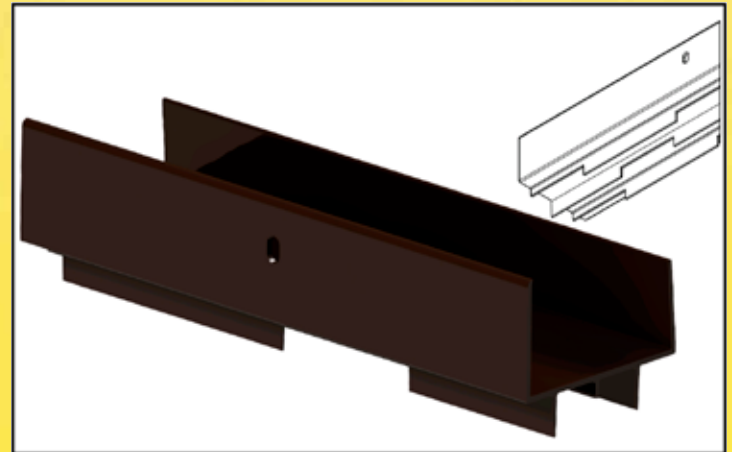
Minimum size 12"
Maximum size 96"
Maximum drop 3/4"

Hospitality Door Bottoms

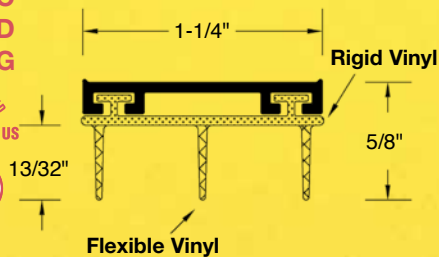
Dark-AN Door Bottoms

These door shoes have a rigid base for stability and 3 flexible fingers for multiple sealing points across any threshold or transition strip. The flexible fins can also come with alternating notches (add suffix "-AN" to order) to allow for airflow in pressure sensitive HVAC systems, while still achieving the following qualities:

- Reduces light from outside hallways for better sleep.
- Helps with sounds from other points in the building.
- Multiple points of contact to hold room temperatures with less leakage.
- Alternating notches (-AN) for pressure regulation and easy door closure.

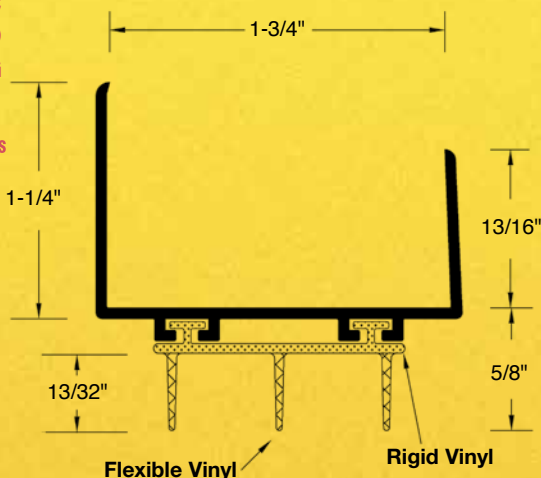


1030A
1030C
1030D
1030G

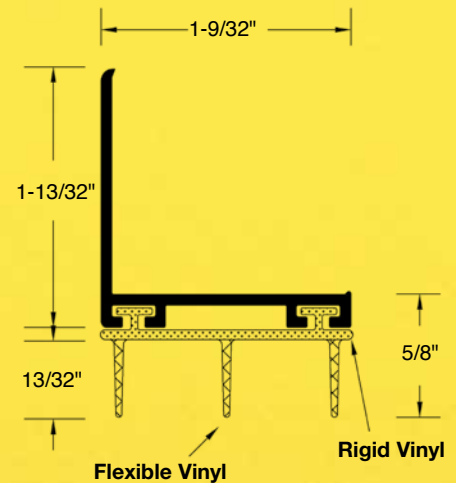


Add "-AN" for alternating notches on the door bottoms.
EX: 1032A = No Notches
1032A-AN = Alt. Notches

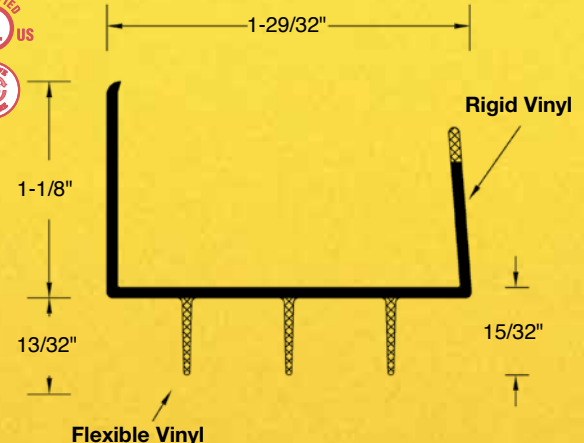
1032A
1032C
1032D
1032G



1031A
1031C
1031D
1031G



1033D



Reese Enterprises



Reese Enterprises is a family owned business that has been designing American made door hardware and entrance floor mats and grates since 1918.

We pride ourselves in reducing stress and headaches by providing one of the best customer service teams in the industry, along with quality products, great order packaging, and fast lead times.

Post Office Box 459

Rosemount, MN 55068-0459

Phone (800) 328-0953

Fax (800) 334-8823

www.reeseusa.com

info@reeseusa.com



NEW HOSPITALITY LINE

Vinyl Thresholds, Quick Seal Adhesives, Dark-AN Door Bottoms



SEE PAGES 41-43