


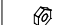





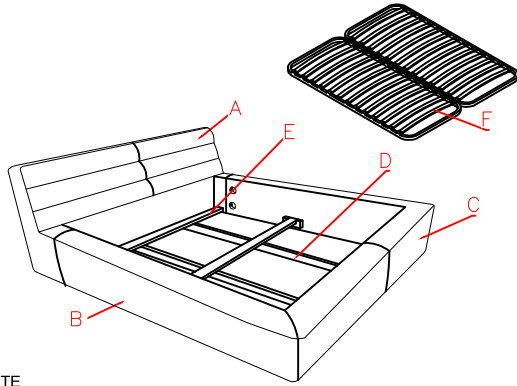

TIMOTHY OULTON
 SHABBY BED
 Assembly Instruction

PARTS INCLUDED

- A [1] Headboard with slipcover
- B [1] Left Frame
- C [1] Right Frame
- D [2] Center Support Bar
- E [3] Cross Rails
- F [1] Rib Cage

TOOLS NEEDED

NO.	Description	Size	QTY.
1	 Bolts	M8*100 mm	6 pcs
2	 Washer		6 pcs
3	 Flat Washer		6 pcs
4	 Nuts		6 pcs
5	 Wrench		1 pcs
6	 Tapping screw	M5*20 mm	8 pcs
7	 Spring Washer		6 pcs



- NOTE**
- Bed must be assembled by at least two people.
 - Please read instructions carefully before assembling bed.
 - Use the above parts and fittings list to identify each component.
 - Keep all packing materials until assembly is completed to avoid loss of smaller parts.

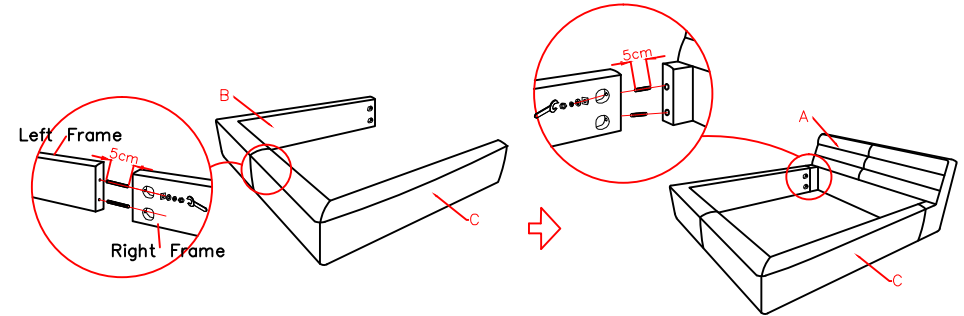
ASSEMBLY INSTRUCTIONS

- STEP 1:**
1. Make sure the left frame and the right frame in a straight line and align the holes between the left frame (B) and right frame (C) with the headboard connection bolts (1).
 2. Insert the connecting bolts (1) into the threaded holes in the headboard (A), making sure these extend out of the headboard by 5cm.
 3. Affix the washer (2), flat washer (3), spring washer (7) and nut (4) onto the connection bolt and tighten nut with the wrench (5) as seen in the diagram.
 4. Insert the connecting bolts (1) into the threaded holes in the headboard (A), making sure these extend out of the headboard by 5cm.
 5. Align the holes on the end of the left frame (B) with the headboard connection bolts (1) and attach side rails to right frame (C).
 6. Affix the washer (2), flat washer (3), spring washer (7) and nut (4) onto the connection bolt and tighten nut with the wrench (5) as seen in the diagram.
 7. Repeat this step to attach the other right frame (C) to headboard (A), then attach side rails to right frame (B).

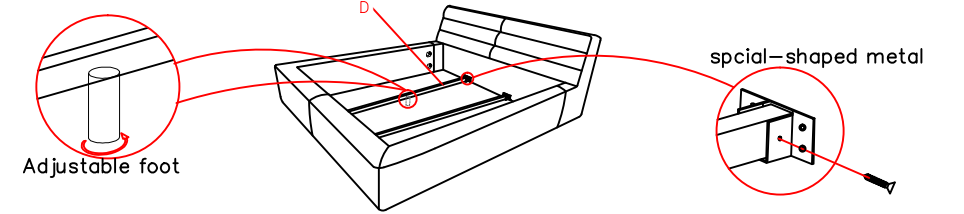
- STEP 2:**
1. Insert center support bar (D) with Tapping screw into the special-shaped metal parts of the headboard (A) and left frame (B).

- STEP 3:**
1. Insert the cross rails (E) into the notched grooves between the left frame (B) and right frame (C).
 2. Place the rib cage in the empty position in the bed.
 3. Assembly is complete.

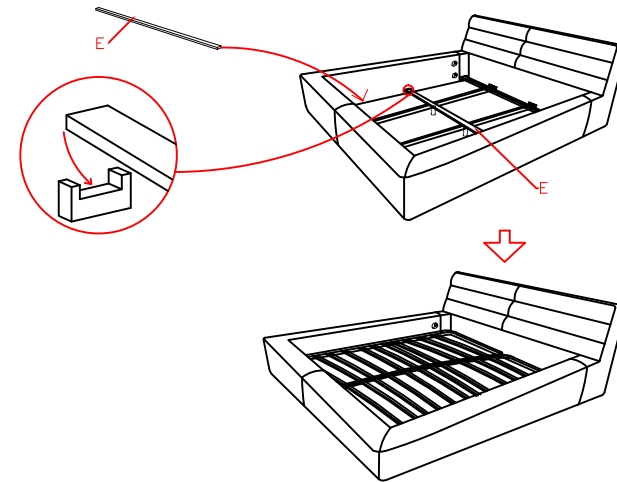
STEP 1



STEP 2



STEP 3



CARE INSTRUCTIONS

Dust or vacuum regularly to help keep fabric looking new. Dab spills immediately with a soft white cloth dampened with distilled water. Do not use tap water or detergents to clean. Professional in-home upholstery cleaning is recommended. Avoid direct sunlight and heat to protect fabric.

IMPORTANT SAFETY INSTRUCTIONS

1. Exercise care and precaution when moving furniture as careless handling may cause injury and damage.
2. Never drag furniture. Always lift it.
3. Periodically check all fixtures to ensure none have come loose.
4. Re-tighten as and when necessary. Incorrect assembly of furniture can be dangerous.
5. Assembly should be carried out by competent personal.
6. No liability will be accepted for damage or injury caused by incorrect assembled furniture.
7. Heavy item warning
8. Take care and seek assistance when lifting heavy furniture to avoid personal injury and or damage to product.