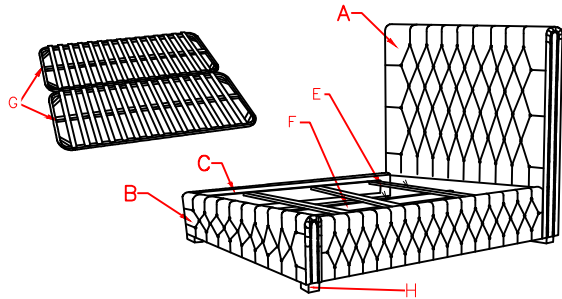




**TIMOTHY OULTON**  
**CAMBRIDGE BED**

## Assembly Instruction



### Hardware needed.

NO.	Description	Size	QTY.
1	Bolts	M8*100mm	8 PCS
2	Washer		8 PCS
3	Flat Washer		8 PCS
4	Nuts		8 PCS
5	Wrench		1 PC
6	Bolts	M10*60mm	4 PC
7	Wrench	M6	1 PC
8	Spring Washer		8 PCS

### PARTS LIST

A [1] Headboard    C [2] Side rail    E [3] Short support slat    G [2] Slat frame  
B [1] Footboard    D [1] Support short leg    F [1] Long support slat    H [4] Bed feet

### Note:

- Bed must be assembled by at least two people.
- Please read instructions carefully before assembling bed.
- Use the above parts and fittings list to identify each component.
- Keep all packing materials until assembly is completed to avoid loss of smaller parts.

### STEP 1:

1. On a protective surface to prevent damage. Tip the headboard(A) so the bottom faces you
2. Please find the feet & hardware inside the box.
3. Align the holes on the foot (H) with the threaded holes at the bottom of the headboard(A) .
4. Attaching the foot (H) to the headboard(A) by inserting the Hex hardware; then tighten the bolts by Allen Key provided.
5. Repeat the same step to fix the bed feet to the footboard(B) .

### STEP 2:

1. Put the Headboard (A) on a protective surface to prevent damage.
2. Locate the Connected bolts (1) into the threaded holes on Headboard, make sure have the connection bolt (1) stick out to the Headboard by 5CM.
3. Align the holes on end of Side rail (C) with the connection bolts (1) on headboard and attach side rail to headboard.
4. Insert the Washer(2), Flat washer (3), Spring washer(8) and Nut (4) into the connected bolt(1).
5. Tighten the Nut (4) with Wrench (5).
6. Repeat for another Side rail attaching to Headboard.
7. For installing the Footboard (B), please keep the same procedure as above.

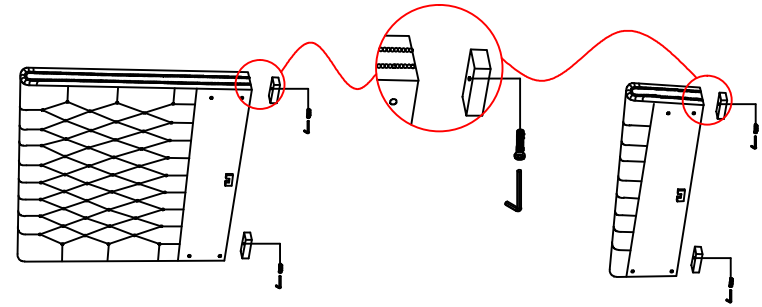
### STEP 3:

1. Locate Support short leg (D) at the center of Long support slat(F).
2. Please the Long support slat (F) onto the U-Shaped wood block of Headboard and Footboard.
3. Place the Short support slats (E) into the notch of inner rail the Side rail (C).

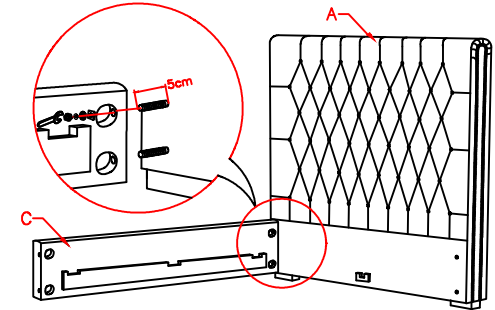
### STEP 4:

1. Place the Slat frame (G) on top of Short support slats (E).
2. Assembly is complete.

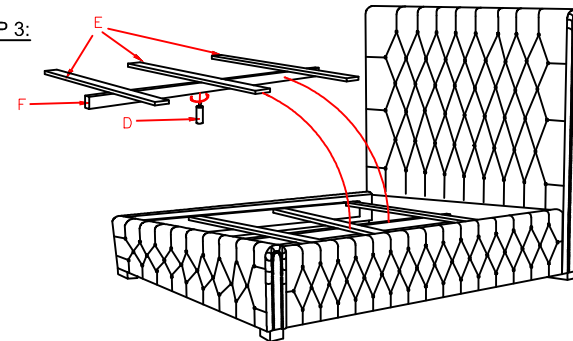
### STEP 1:



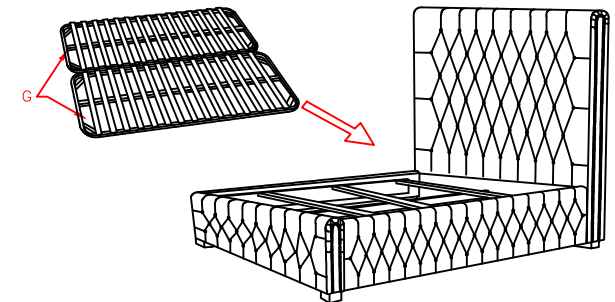
### STEP 2:



### STEP 3:



### STEP 4:



**Thank you for your purchase**

[www.timothyoulton.com](http://www.timothyoulton.com)