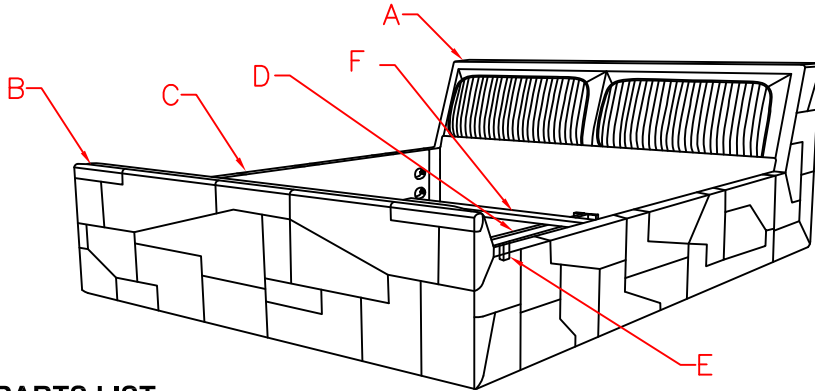









TIMOTHY OULTON

Tom Cat Bed Assembly Instruction



Hardware needed.

NO.	Description	Size	QTY.
1	 Bolts	M8*100 mm	8 PCS
2	 Washer		8 PCS
3	 Flat Washer		8 PCS
4	 Nuts		8 PCS
5	 Wrench		1 PC

PARTS LIST

- A [1] Headboard
- B [1] Footboard
- C [2] Side Rail
- D [1] Support Bar
- E [1] Center Leg
- F [5] Support Slat

Note:

- Bed must be assembled by at least two people.
- Please read instructions carefully before assembling table.
- Use the above parts and fittings list to identify each component.
- Keep all packing materials until assembly is completed to avoid loss of smaller parts.

STEP 1:

1. Put the Headboard (A) on a protective surface to prevent damage.
2. Locate the Connected bolts (1) into the threaded holes on Headboard, make sure have the connection bolt (1) stick out to the Headboard by 5CM.
3. Align the holes on end of Side rail (C) with the connection bolts (1) on headboard and attach side rail to headboard.
4. Insert the Washer (2), Flat wahser (3), Nut (4) into the connected bolt (1).
5. Tighten the Nut (4) with Wrench (5).
6. Repeat for another Side rail attaching to Headboard.
7. For installing the Footboard (B), please keep the same procedure as above.

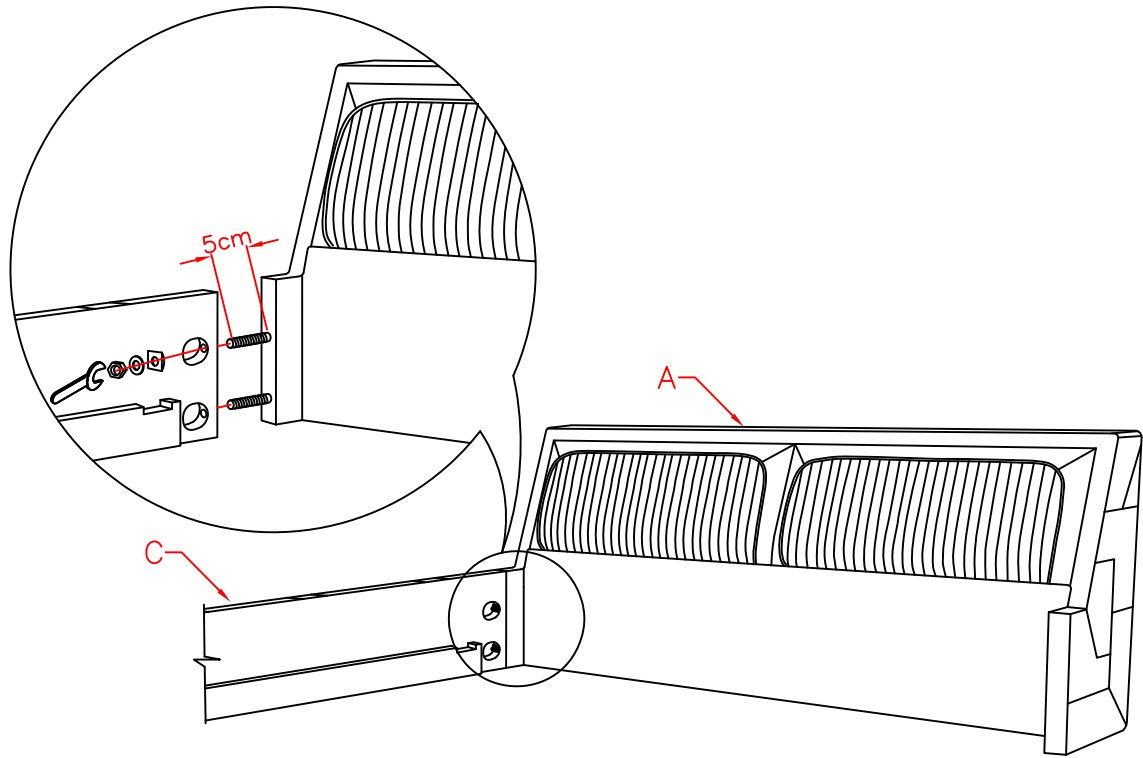
STEP 2:

1. Locate Center Leg (E) at the center of Support Bar (D).
2. Turn the thread rod on top of Center Leg (E) into the thread hole on center of Support Bar (D).

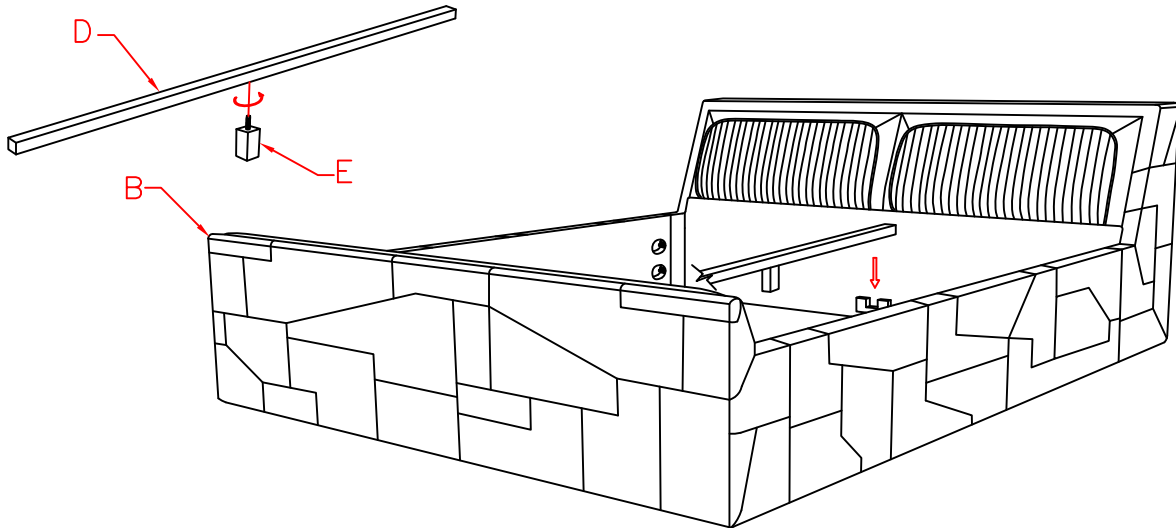
STEP 3:

1. Place the Support Bar (D) onto the U-Shaped wood block of Headboard and Footboard.
2. Place the Support Slats(F) into the notch of inner rail of the Side Rail(C).
3. Assembly is complete.

STEP 1:



STEP 2:



STEP 3:

