

NOBLE SOULS

ENGLISH BEAM BED ASSEMBLY INSTRUCTIONS

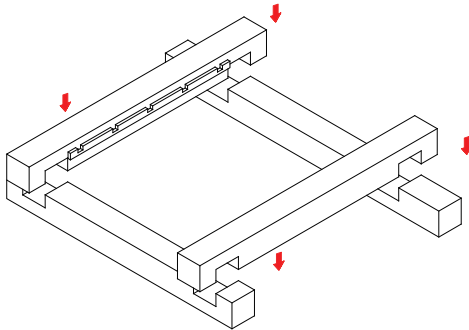
PARTS INCLUDED

- A [2] SIDE RAILS
- B [1] FOOT OF BED
- C [1] HEAD OF BED
- D [7] SLATS
- E [5] LEGS

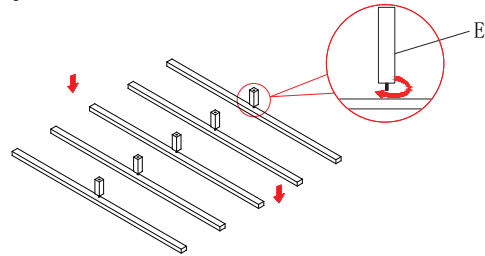
ASSEMBLY INSTRUCTIONS

1. Please find the corresponding numbered parts before you begin. Two people assembly is recommended. Place the Side Rails (A) across the Foot of Bed (B) and Head of Bed (C).
2. Place legs (E) onto slats (D) as per the diagram.
3. Place slats onto side rail as per the diagram.
4. Assembly is complete.

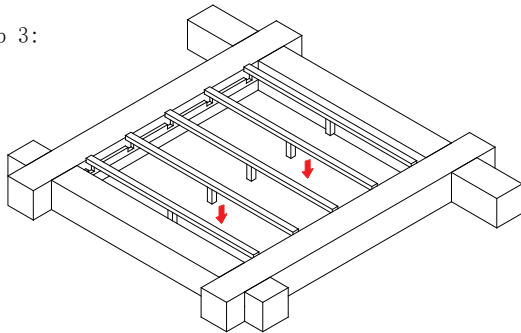
Step 1:



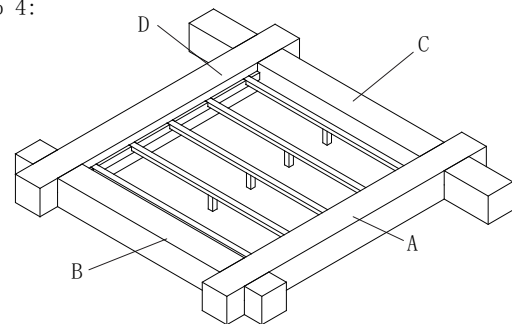
Step 2:



Step 3:



Step 4:



CARE INSTRUCTIONS

1. Avoid mineral oil, as usage could discolor the wood.

IMPORTANT SAFETY INSTRUCTIONS

1. Exercise care and precaution when moving furniture, as careless handling may cause injury and damage.
2. Never drag furniture. Always lift it.
3. Periodically check all fixtures to ensure none have come loose.
4. Retighten when necessary. Incorrect assembly of furniture can be dangerous.
5. Assembly should be carried out by competent personnel.
6. No liability will be accepted for damage or injury caused by incorrectly assembled furniture.
7. Heavy item warning.
8. Take care and seek assistance when lifting heavy furniture to avoid personal injury and/or damage to product.