







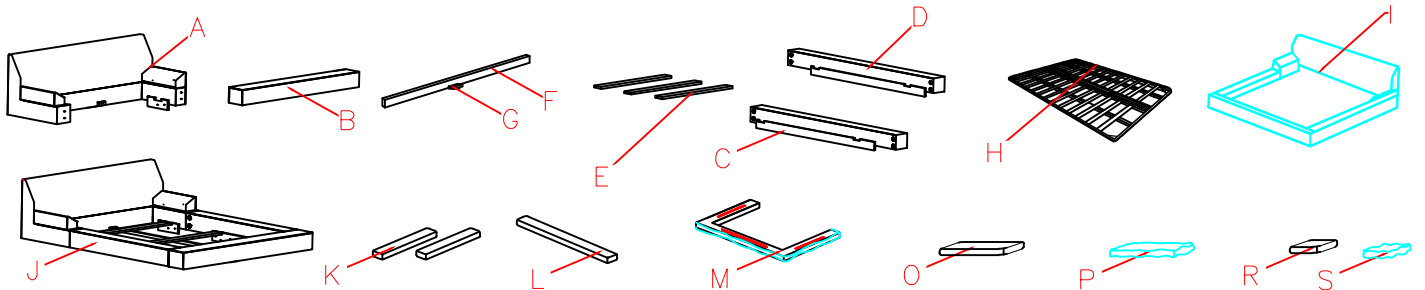
TIMOTHY OULTON'S
NOBLE SOULS
 NS REALM BED
 Assembly Instruction

PARTS INCLUDED

- | | |
|---|--------------------------------------|
| A [1] Headboard | K [2] Infilling bag(K) |
| B [1] Footboard | L [1] Infilling bag(L) |
| C [1] Side Rail (Left) | M [1] U shape Cover(M) |
| D [1] Side Rail (Right) | N [1] U shape Cushion (N) |
| E [3] Cross Rails | O [2] Back Cushion Infilling bag (O) |
| F [1] Center Support Bar | P [2] Back Cushion cover(P) |
| G [1] Support short leg | Q [2] Back Cushion(Q) |
| H [2] Slatted Base | R [2] Pillow Infilling bag(R) |
| I [1] cover for Side Rail and Footboard | S [2] Pillow Cover(S) |
| J [2] Bed Frame. | T [2] Pillow (T) |

TOOLS NEEDED

NO.	Description	Size	QTY.
1	 Bolts	M8*120 mm	8 pcs
2	 Washer		8 pcs
3	 Flat Washer		8 pcs
4	 Spring Washer		8 pcs
5	 Nuts		8 pcs
6	 Wrench		1 pcs

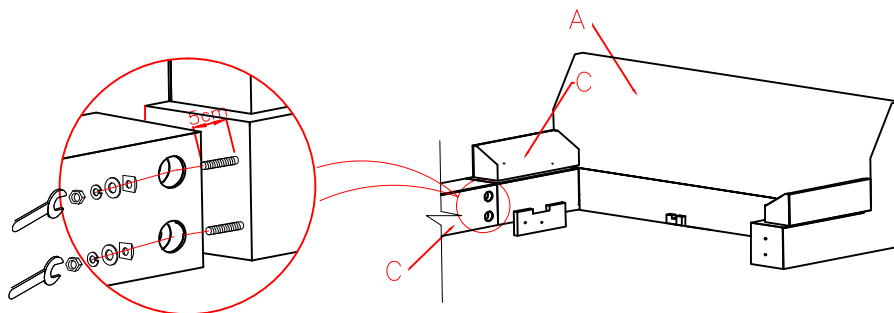


- Bed must be assembled by at least two people.
- Please read instructions carefully before assembling bed.
- Use the above parts and fittings list to identify each component.
- Keep all packing materials until assembly is completed to avoid loss of smaller parts.

ASSEMBLY INSTRUCTIONS

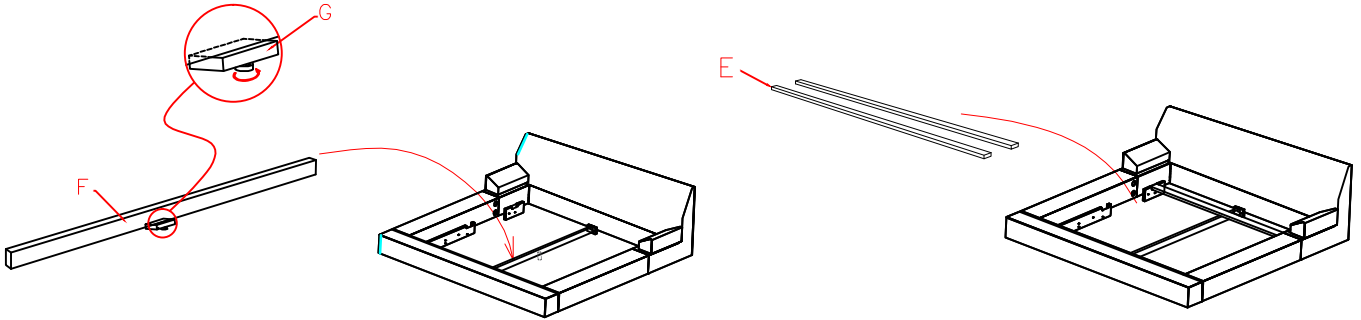
STEP 1:

1. Place the headboard (A) on a protective surface to prevent damage.
2. Insert the connecting bolts (1) into the threaded holes in the headboard (A), making sure these extend out of the headboard by 5cm.
3. Align the holes on the end of the side rails(Left) (C) with the headboard connection bolts (1) and attach side rails(Left) to headboard (A).
4. Affix the washer (2), flat washer (3) and nut (4) onto the connection bolt and tighten nut with the wrench (5) as seen in the diagram.
5. Repeat this step to attach the other side rail(Right) (D) to headboard (A).
6. To attach the footboard (B), please repeat the above assembly procedure.



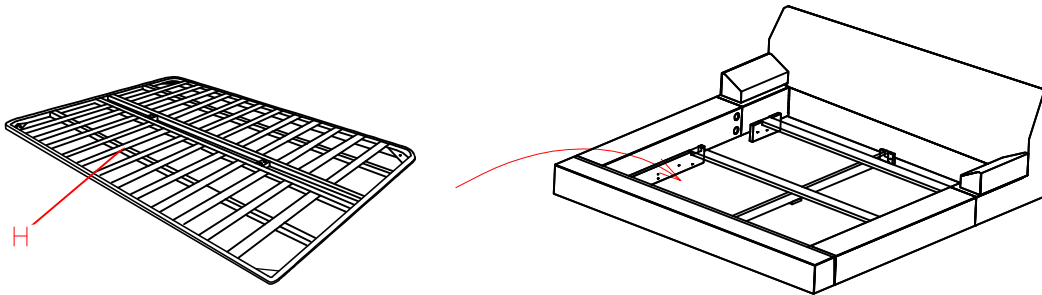
STEP 2:

1. Locate Support short leg (G) at the center of Support center bar (F).
2. Turn the thread rod on top of Support short leg (G) into the thread hole on center of Support center Bar (F).
3. Insert the center support bar (F) into the extra space U-Shaped wooden blocks of the headboard (A) and footboard (B).
4. Insert the cross rails (E) into the notched grooves along the inside of the side rail (left)(C) and side rail (right)(D).



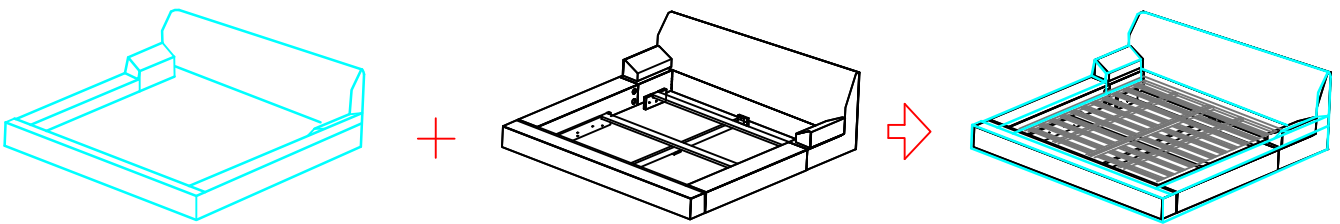
STEP 3:

1. Place the Slatted Base(H) onto the slats.

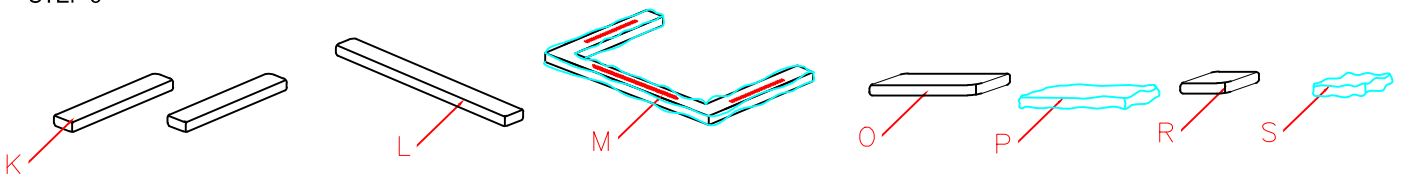


STEP 4:

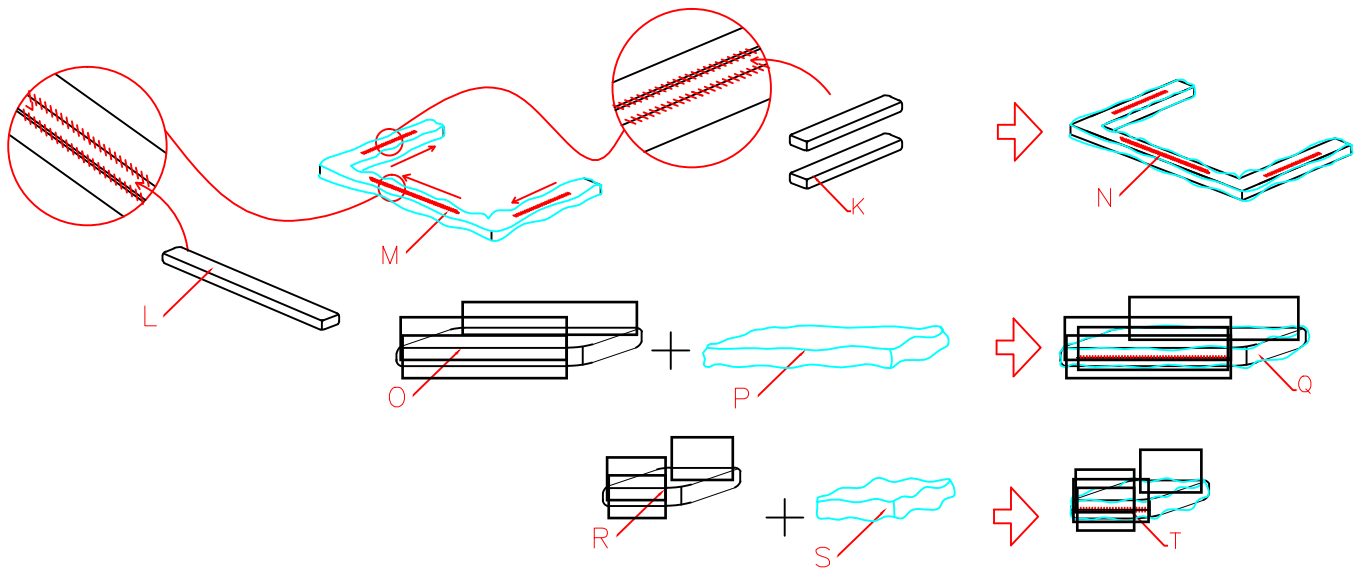
1. wrap up the side rail and the footboard with the cover (I) .Make the surface smooth and attach the Velcro. (make sure the Velcro on the cover sticks to both the below and the inside Velcro on the bed as seen in diagram)



STEP 5

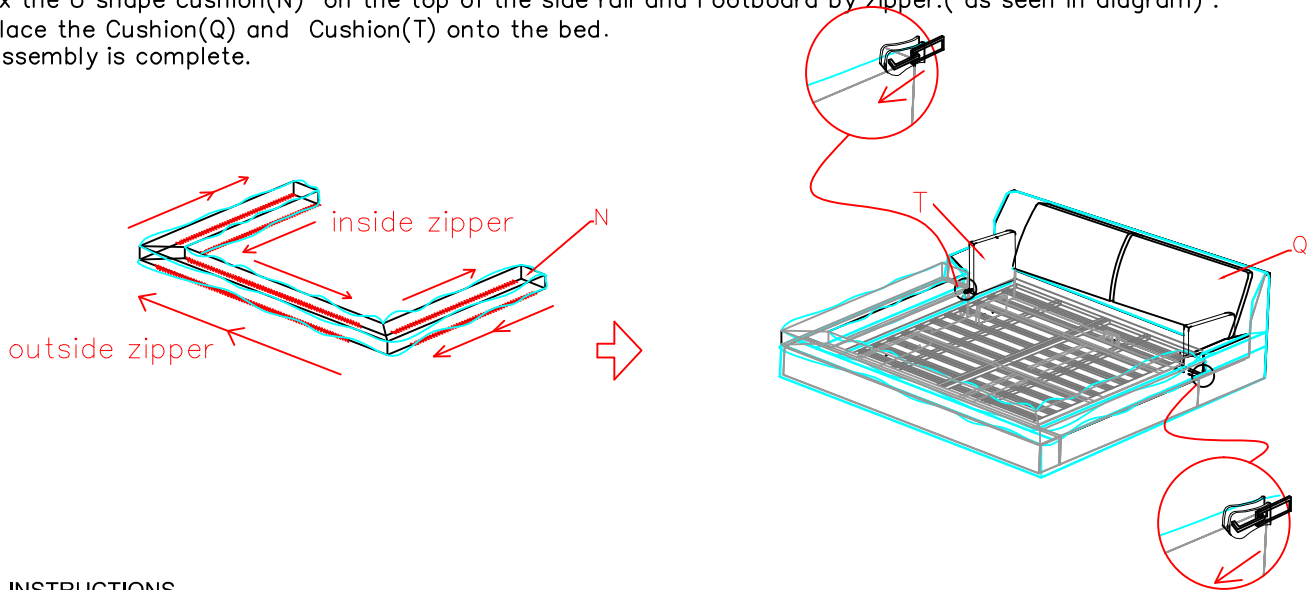


1. Find out the zipper on the cover under side. Open the cover(M) and then insert the filling material(K) and (L) into the cover(M) of the corresponding position .
2. Repeat this step to insert the filling material(P) and (S) into the cover (O) and (R) .
3. Close the zipper.



STEP 6

1. Fix the U shape cushion(N) on the top of the side rail and Footboard by zipper.(as seen in diagram) .
2. place the Cushion(Q) and Cushion(T) onto the bed.
3. Assembly is complete.



CARE INSTRUCTIONS

Dust or vacuum regularly to help keep fabric looking new. Dab spills immediately with a soft white cloth dampened with distilled water. Do not use tap water or detergents to clean. Professional in-home upholstery cleaning is recommended. Avoid direct sunlight and heat to protect fabric.

IMPORTANT SAFETY INSTRUCTIONS

1. Exercise care and precaution when moving furniture as careless handling may cause injury and damage.
2. Never drag furniture. Always lift it.
3. Periodically check all fixtures to ensure none have come loose.
4. Re-tighten as and when necessary. Incorrect assembly of furniture can be dangerous.
5. Assembly should be carried out by competent personal.
6. No liability will be accepted for damage or injury caused by incorrect assembled furniture.
7. Heavy item warning
8. Take care and seek assistance when lifting heavy furniture to avoid personal injury and or damage to product .



We recommend that two people assemble the bed.