







TIMOTHY OULTON

EDWARDIAN SQR MIR 135X135CM ASSEMBLY INSTRUCTIONS

PARTS INCLUDED

A [1] MIRROR

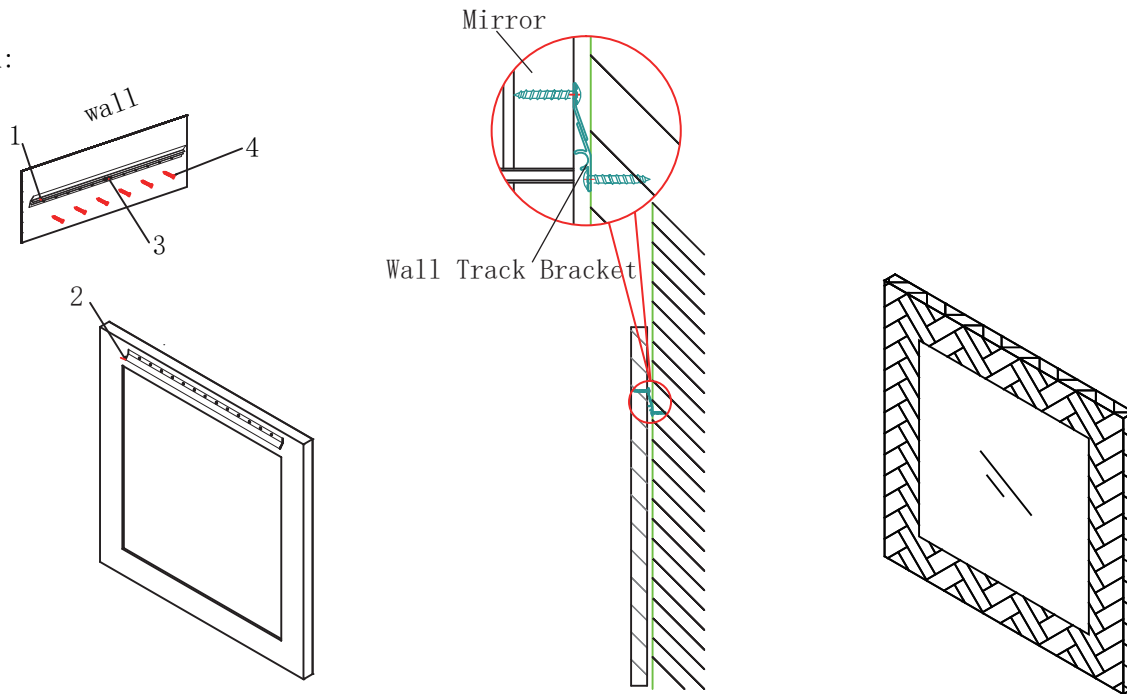
NO.	ITEM	DESCRIPTION	QTY.
1		Wall Bracket	1 pc.
2		Mounting Hangman Bracket	1 pc.
3		Bubble Level For Wall Bracket	1 pc.
4		Screw (M4 x 25mm)	6 pcs.

ASSEMBLY INSTRUCTIONS

A) WALL MANTLE

1. Position Mirror (A) in desired location on the wall and mark.
2. Position Wall Bracket (1) in desired location until the Bubble (3) is level and mark location of each drive wall anchor installation.
3. Remove Wall Bracket. Position drive wood screw on the wood stud or metal stud.
4. Drill 1/4" pilot holes in wall. Position drive wall anchor over hole and gently tap anchor into wall until cap prongs are embedded in wall and cap is snug against surface. Turn screw pressing firmly to prevent anchor from rotating. Tighten screw until resistance is felt; this will fully expand the anchor. Turn screw counterclockwise to remove screw. Anchor will remain embedded in wall.
5. Place Wall Bracket. Over anchor and insert then tighten all screws.
6. Hang Mirror on Wall Bracket.

Step A:



CARE INSTRUCTIONS

1. Avoid mineral oil, as usage could discolor the wood.
2. Wipe the mirror clean with a soft, dry cloth when it needs to be cleaned.

IMPORTANT SAFETY INSTRUCTIONS

1. Exercise care and precaution when moving furniture, as careless handling may cause injury and damage.
2. Never drag furniture. Always lift it.
3. Periodically check all fixtures to ensure none have come loose.
4. Retighten when necessary. Incorrect assembly of furniture can be dangerous.
5. Assembly should be carried out by competent personnel.
6. No liability will be accepted for damage or injury caused by incorrectly assembled furniture.
7. Heavy item warning.
8. Take care and seek assistance when lifting heavy furniture to avoid personal injury and/or damage to product.