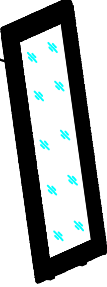




# NOBLE SOULS

## ASSEMBLY INSTRUCTION

ELYSIUM TALL MIRROR 220CM

### PARTS ENCLOSED

ITEMS	DIAGRAM	DESCRIPTION	QTY.
(A)		Body	1
(A1)		Anti Tip Hardware	2
(B)		Mounting Screws (Not included)	4 Sets

### IMPORTANT SAFETY INSTRUCTIONS:

1. Use an authorized and certified electrician for consultation and installation.
2. This fixture has been rated for 56-watt maximum non-replaceable LED module.
3. To avoid the risk of fire, do not exceed the recommended wattage.
4. The manufacturer and distributor accepts no liability for incorrect installation.
5. For indoor use only.
6. Keep away from children.

### Warnings:

1. Turn-off electricity supply at main circuit panel before installing. Do not connect electricity supply until your floor lamp is fully assembled and installed.
2. All wires are connected. Do not remove the floor lamp from its packaging by pulling on the power cord, as a bad connection may result.
3. To reduce the risk of fire, electrical shock, or personal injury, always turn off the floor lamp and allow it to cool prior to replacing light bulb. Do not touch bulb when fixture is turned on or look directly at light bulb. Keep flammable materials away from light bulb.
4. Deviation from instructions may result in a risk of fire or electric shock.

### PRODUCT DESCRIPTION:

General material: Glass & Iron  
 Height: 220.0cm (86.61in)  
 Width: 19.0cm (7.48in)  
 Length: 120.0 cm (47.24in)  
 Weight: 209 kg ( 460.76lb)

### TO ASSEMBLE:

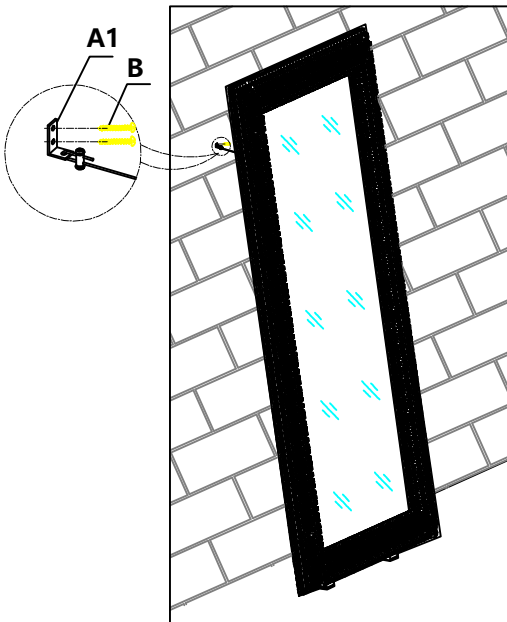
1. Loosen the screws (C2) and take off the metal plate (C1).refer to view 1.
2. Loosen the nut (C3),then grab the holder (C6) by hand to take out the body (A).
3. Erect the body (A) on the floor,then loosen the screw nut (C5) to remove the support metal frame (C4).refer to View 2.
4. Move the body (A) to close the wall,then fix the anti-tip hardware (A1) to the wall with screws (B).
5. Loosen the screws (C7) to remove the holders (C6). place the body (A) to the wall. refer to View 3.
6. Insert the plug into socket and test this tall mirror.

### CARE INSTRUCTIONS:

1. Make sure that the power is turned off and bulb has cooled before handling.
2. Wipe clean with a dry cloth / mild soapy solution. Do not use corrosive cleaners.
3. The cable/cord of this floor lamp cannot be replaced: If the cable is damaged, do not use the lamp.

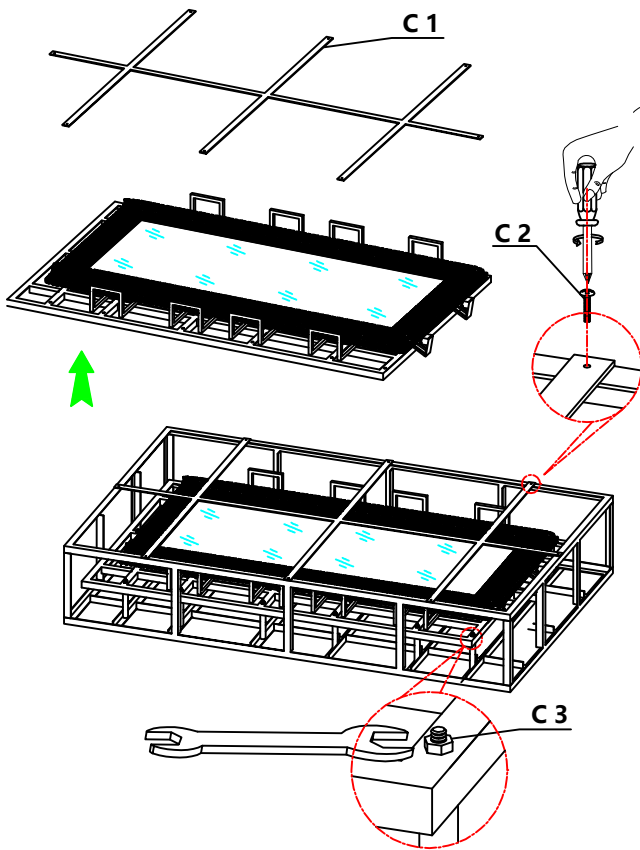
### ENVIRONMENT:

Special waste handling may be required. Please contact your local authorities for more information.

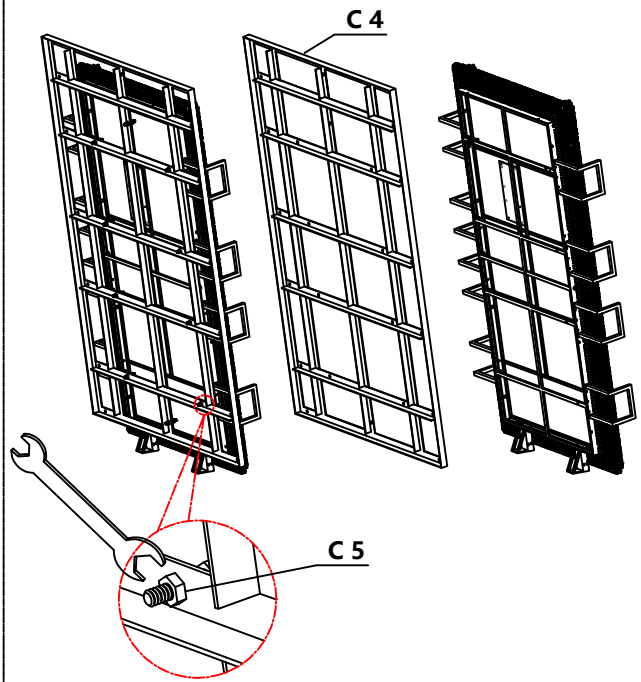


TIMOTHY OULTON'S  
**NOBLE SOULS**  
**ASSEMBLY INSTRUCTION**  
ELYSIUM TALL MIRROR 220CM

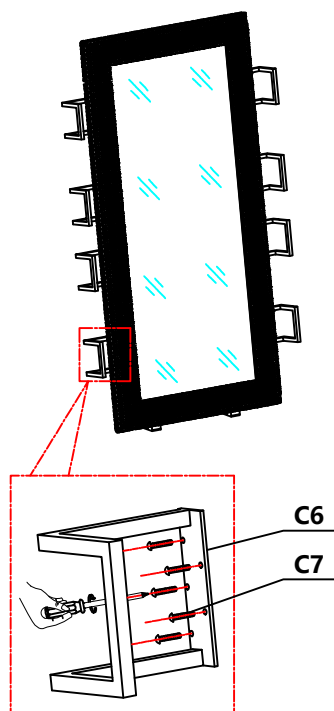
**view 1**



**view 2**



**view 3**

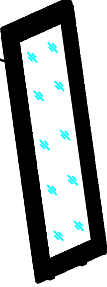




# NOBLE SOULS

## ASSEMBLY INSTRUCTION

ELYSIUM TALL MIRROR 240CM

### PARTS ENCLOSED

ITEMS	DIAGRAM	DESCRIPTION	QTY.
(A)		Body	1
(A1)		Anti Tip Hardware	2
(B)		Mounting Screws (Not included)	4 Sets

### IMPORTANT SAFETY INSTRUCTIONS:

1. Use an authorized and certified electrician for consultation and installation.
2. This fixture has been rated for 56-watt maximum non-replaceable LED module.
3. To avoid the risk of fire, do not exceed the recommended wattage.
4. The manufacturer and distributor accepts no liability for incorrect installation.
5. For indoor use only.
6. Keep away from children.

### Warnings:

1. Turn-off electricity supply at main circuit panel before installing. Do not connect electricity supply until your floor lamp is fully assembled and installed.
2. All wires are connected. Do not remove the floor lamp from its packaging by pulling on the power cord, as a bad connection may result.
3. To reduce the risk of fire, electrical shock, or personal injury, always turn off the floor lamp and allow it to cool prior to replacing light bulb. Do not touch bulb when fixture is turned on or look directly at light bulb. Keep flammable materials away from light bulb.
4. Deviation from instructions may result in a risk of fire or electric shock.

### PRODUCT DESCRIPTION:

General material: Glass & Iron  
 Height: 242.0cm (95.28in)  
 Width: 15.5cm (6.10in)  
 Length: 137.0 cm (53.94in)  
 Weight: 175 kg (385.80lb)

### TO ASSEMBLE:

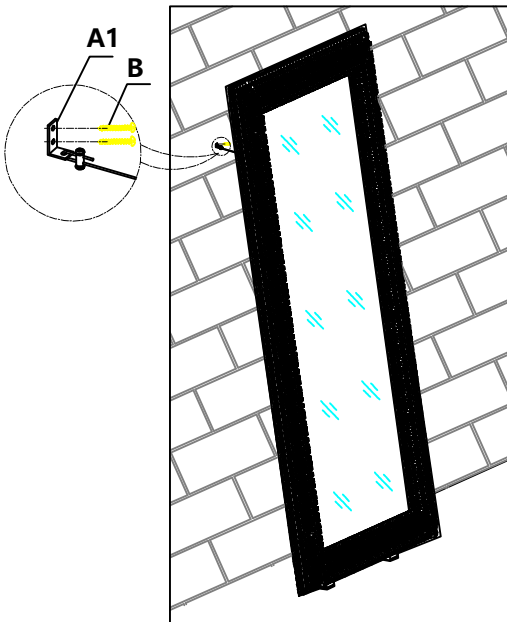
1. Loosen the screws (C2) and take off the metal plate (C1).refer to view 1.
2. Loosen the nut (C3),then grab the holder (C6) by hand to take out the body (A).
3. Erect the body (A) on the floor,then loosen the screw nut (C5) to remove the support metal frame (C4).refer to View 2.
4. Move the body (A) to close the wall,then fix the anti-tip hardware (A1) to the wall with screws (B).
5. Loosen the screws (C7) to remove the holders (C6). place the body (A) to the wall. refer to View 3.
6. Insert the plug into socket and test this tall mirror.

### CARE INSTRUCTIONS:

1. Make sure that the power is turned off and bulb has cooled before handling.
2. Wipe clean with a dry cloth / mild soapy solution. Do not use corrosive cleaners.
3. The cable/cord of this floor lamp cannot be replaced: If the cable is damaged, do not use the lamp.

### ENVIRONMENT:

Special waste handling may be required. Please contact your local authorities for more information.

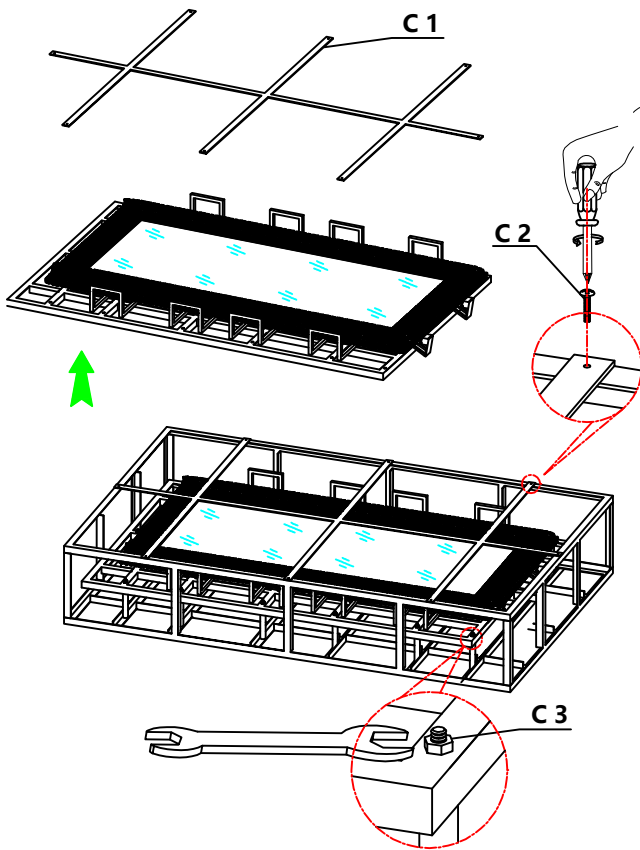


# NOBLE SOULS

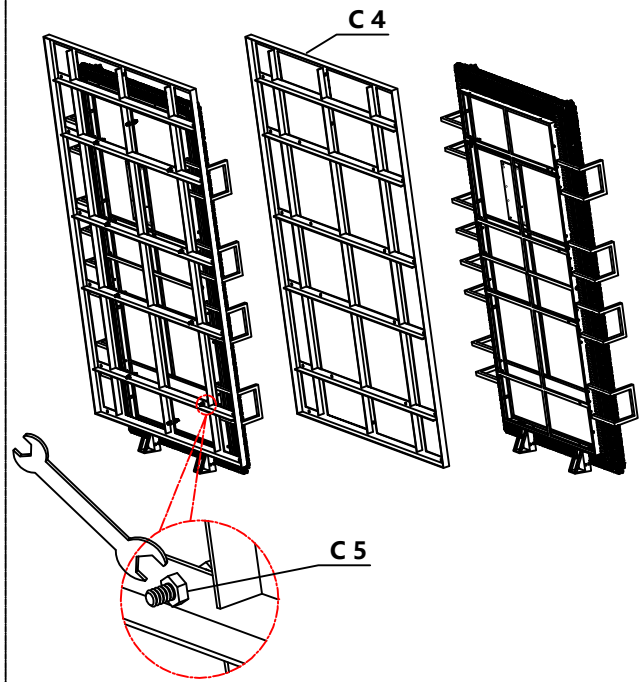
## ASSEMBLY INSTRUCTION

ELYSIUM TALL MIRROR 240CM

**view 1**



**view 2**



**view 3**

