





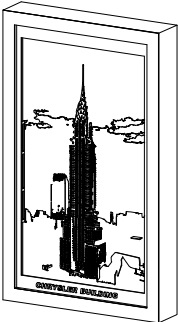
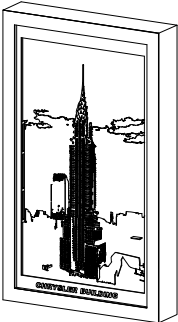


TIMOTHY OULTON

ASSEMBLY INSTRUCTION

3D CHRYSLER BUILDING WALLART

PARTS ENCLOSED

ITEMS	DIAGRAM	DESCRIPTION	QTY.
(A)		Mounting Screws (Not included)	15 Sets
(B1)		Wire Nut	3
(B2)		Terminal Box	1
(C)	 	Wall Mounting Plate	1
(D)		Body	1

IMPORTANT SAFETY INSTRUCTIONS:

1. Use an authorized and certified electrician for consultation and installation.
2. This fixture has been rated for 35-watt maximum LED light source.
3. To avoid the risk of fire, do not exceed the recommended wattage.
4. The wall must have at least the capacity of 5 times the weight of the wall lamp.
For this light at least a wall capacity of 252.5kg (556.65lbs) is required.
5. The manufacturer and distributor accepts no liability for incorrect installation.
6. For indoor use only.
7. Keep away from children.

Warnings:

1. Turn-off electricity supply at main circuit panel before installing. Do not connect electricity supply until your light is fully assembled and installed.
2. All wires are connected. Do not remove the wall lamp from its packaging by pulling on the power cord, as a bad connection may result.
3. To reduce the risk of fire, electrical shock, or personal injury, always turn off the wall lamp and allow it to cool prior to replacing light bulb. Do not touch lighting source when fixture is turned on or look directly at light bulb. Keep flammable materials away from light source.
4. Deviation from instructions may result in a risk of fire or electric shock.

PRODUCT DESCRIPTION:

General material: Iron
 Height: 12.2cm (4.80in)
 Length: 60.0cm (23.62in)
 Width: 100.0cm (39.37in)
 Weight: 50.5kg (111.33lb)
 Grounded / Hardwired

TO ASSEMBLE:

1. Carefully remove all parts from the box and remove all plastic covering.
 2. Turn OFF power to the junction box where the wall light will be installed.
 3. Fix the wall mounting plate (C) to the wall with mounting screws (A)
 4. Connect wires from the fixture to the wall wires referring to **Wire & Safety Guidelines** with wire nuts (B1) or terminal box (B2).
- Make wire connection:
 Attach NEUTRAL wire from fixed installation in to the blue cable marked with "N".
 Attach LIVE wire from fixed installation to the brown cable marked with "L".
 Attach earthing wire from fixed installation to the yellow/green cable.
5. Hang the body (D) onto the wall mounting plate (C).
 6. Restore power to the junction box and test wall light fixture.

CARE INSTRUCTIONS:

1. Make sure that the power is turned off and bulb has cooled before handling.
2. Wipe clean with a dry cloth / mild soapy solution. Do not use corrosive cleaners.

ENVIRONMENT:

Special waste handling may be required. Please contact your local authorities for more information.

