



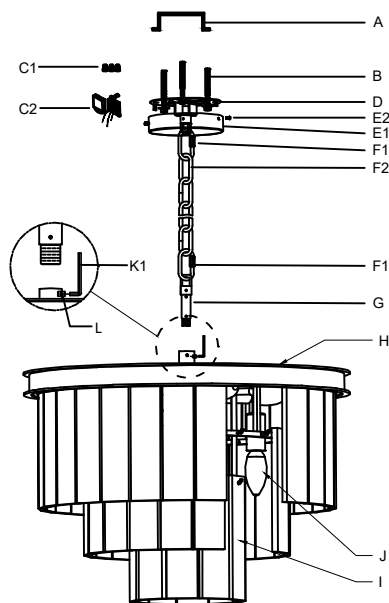
TIMOTHY OULTON

ASSEMBLY INSTRUCTION

BARK ROUND 3RING PENDANT

PARTS ENCLOSED

ITEMS	DIAGRAM	DESCRIPTION	QTY.
(A)		Junction BOX (Not included) 50LB. MIN.FIXTURE RATED Ceiling Hook	1
(B)		Mounting Screws (Not included)	4
(C1)		Wire Nut	3
(C2)		Terminal Box	1
(D)		Ceiling Plate	1
(E1)		Canopy	1
(E2)		Bolts	2
(F1)		Quick link	2
(F2)		Chain	1
(G)		Hang Straight	1
(H)		Body	1
(I)		Glass+Spare	57+2
(J)		Bulb+Spare (E14 for EU/E12 for US)	9+3
(K1)		Small Allen Screwdriver	1
(K2)		Large Allen Screwdriver	1
(L)		Set Screws Spare Parts	2



IMPORTANT SAFETY INSTRUCTIONS:

1. Use an authorized and certified electrician for consultation and installation.
2. This fixture has been rated for 9 x 25-watt maximum standard bulb.
3. To avoid the risk of fire, do not exceed the recommended wattage.
4. The ceiling must have at least the capacity of 5 times the weight of the ceiling light.
For this light at least a ceiling capacity of 107.5kg(237lb) is required.
5. The manufacturer and distributor accepts no liability for incorrect installation.
6. For indoor use only.
7. Keep away from children.

Warnings:

1. Turn-off electricity supply at main circuit panel before installing. Do not connect electricity supply until your ceiling light is fully assembled and installed.
2. All wires are connected. Do not remove the ceiling light from its packaging by pulling on the power cord, as a bad connection may result.
3. To reduce the risk of fire, electrical shock, or personal injury, always turn off the ceiling light and allow it to cool prior to replacing light bulb. Do not touch bulb when fixture is turned on or look directly at light bulb. Keep flammable materials away from light bulb.
4. Deviation from instructions may result in a risk of fire or electric shock.

PRODUCT DESCRIPTION:

General material: Iron
 Height: 54.0 cm (21in)
 Diameter: 53.3 cm (21in)
 Weight: 21.5 kgs (47.4 lbs)
 Grounded / Hardwired

TO ASSEMBLE:

1. Carefully remove all parts from the box and remove all plastic covering.
2. Turn OFF power to the junction box where the ceiling light will be installed.
3. Loosen the bolts (E2) from canopy (E1) by large allen screwdriver (K2) and remove the ceiling plate (D) from canopy (E1).
4. Attach the ceiling plate (D) to the ceiling with mounting screws (B).
5. Attach hang straight (G) to the ceiling (H).
6. Unlock the quick link (F1) at the opposite end of the chain (F2) to attach the hang straight (G).
7. Fasten the bolts (L) by small allen screwdriver (K1)
8. Insert quick link (F1) into canopy (E1). Then unlock the quick link (F1) to attach ceiling mounting plate (D).
9. Connect wires from the fixture to the ceiling wires referring to **Wire & Safety Guidelines** with wire nuts (C1) or terminal box (C2).
10. Move the canopy (E1) up to the ceiling, then fasten the the bolts (E2) by large allen screwdriver (K2)
11. Fasten lightbulbs (J) to the lampholders.
12. Hang the glass (I) from inner layer to outer onto body (H) as drawing on left.
Note: To ensure safety of chandelier during glass installation, please maintain level of chandelier by ensuring you install glass drops in balanced way on opposite ends of light.
13. Restore power to the junction box and test ceiling light fixture.

CARE INSTRUCTIONS:

1. Make sure that the power is turned off and bulb has cooled before handling.
2. Wipe clean with a dry cloth / mild soapy solution. Do not use corrosive cleaners.
3. The cable/cord of this ceiling light cannot be replaced. If the cable is damaged, do not use the light.

ENVIRONMENT:

Special waste handling may be required. Please contact your local authorities for more information.



TIMOTHY OULTON

BARK RND 5RING PENDANT

PARTS ENCLOSED

ITEMS	DIAGRAM	DESCRIPTION	QTY.
(A)		Junction Box(Not included) 50LB. MIN.FIXTURE RATED	1
(B)		Mounting Screws (Not included)	3
(C1)		Wire Nut	3
(D)		Ceiling Plate	1
(E1)		Canopy	1
(E2)		Bolts	2
(F1)		Quick link	1
(F2)		Hang Straight	1
(G)		Hanging Rod	3
(H)		Body	
(I)		Glass+Spare	140+5
(J)		Bulb+Spare	17+6
(K1)		Small Allen Screwdriver	1
(K2)		Large Allen Screwdriver	1
(L1)		Short Set Screws Spare Parts	2
(L2)		Long Set Screws Spare Parts	2

IMPORTANT SAFETY INSTRUCTIONS:

1. Use an authorized and certified electrician for consultation and installation.
2. This fixture has been rated for 17 x 25-watt maximum standard bulb.
3. To avoid the risk of fire, do not exceed the recommended wattage.
4. The ceiling must have at least the capacity of 5 times the weight of the ceiling light.
For this light at least a ceiling capacity of 224.5kg(495lb) is required.
5. The manufacturer and distributor accepts no liability for incorrect installation.
6. For indoor use only.
7. Keep away from children.

Warnings:

1. Turn-off electricity supply at main circuit panel before installing. Do not connect electricity supply until your ceiling light is fully assembled and installed.
2. All wires are connected. Do not remove the ceiling light from its packaging by pulling on the power cord, as a bad connection may result.
3. To reduce the risk of fire, electrical shock, or personal injury, always turn off the ceiling light and allow it to cool prior to replacing light bulb. Do not touch bulb when fixture is turned on or look directly at light bulb. Keep flammable materials away from light bulb.
4. Deviation from instructions may result in a risk of fire or electric shock.

PRODUCT DESCRIPTION:

General material: Iron & Glass
 Height: 56.0 cm (22in)
 Diameter: 83.2 cm (32.75in)
 Weight: 44.9 kgs (99 lbs)
 Grounded / Hardwired

TO ASSEMBLE:

1. Carefully remove all parts from the box and remove all plastic covering.
2. Turn OFF power to the junction box where the ceiling light will be installed.
3. Loosen the bolts(E2) from canopy (E1) by large allen screwdriver (K2) and remove the ceiling plate (D) from canopy (E1).
4. Attach the ceiling plate (D) to the ceiling with mounting screws (B).
5. Assemble the hanging rod (G) to hang straight (F2), and tighten the bolts (L1) on hang straight (F2), hanging rods (G).

Note: The hanging height is adjustable by using one hanging rod (G) only, or using 2 or 3 hanging rod (G) together.

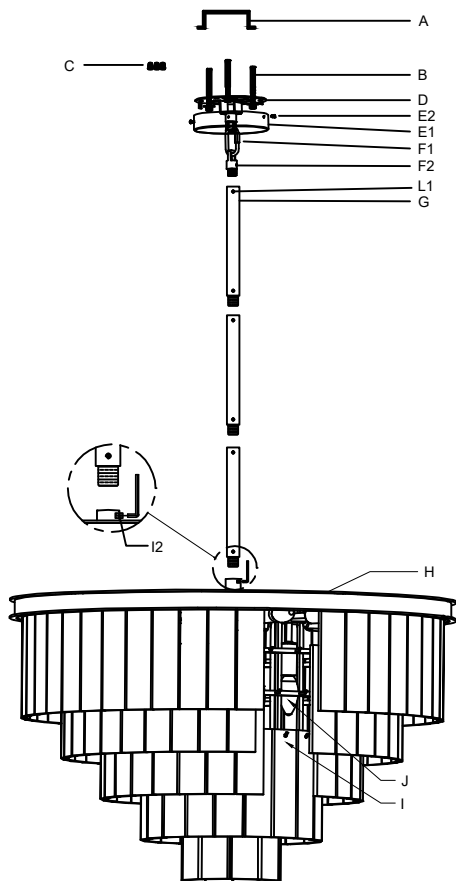
6. Insert the main wire into the hanging rods (G), come out from hang straight (F2). Fasten hanging rod (G) to body (H), then tighten the bolts (L2) on body (H).
 7. Connect the ground wire from the fixture to the ground junction box wire (A) (Usually the green or bare wire) with a wire nut (C) and wrap the connection with electrical tape. Connect the hot wire to the hot junction box wire (A) (Usually black or smooth) with a plastic wire nut (C) and wrap the connection with electrical tape. Connect the neutral wire to the neutral junction box wire (A) (Usually white or ribbed) with a plastic wire nut (C) and wrap the connection with electrical tape.
 8. Move the canopy (E1) up to the ceiling, then fasten the bolts (E2).
 9. Attach hang straight (F2) to ceiling plate (D) with quick link (F1).
 10. Fasten lightbulbs (J) to the lampholders.
 11. Hang the glass (I) to the outerest layer of body (H) first, then from inner layer to outer onto body (H) as drawing on left.
- Note: To ensure safety of chandelier during glass installation, please maintain level of chandelier by ensuring you install glass drops in balanced way on opposite ends of light.**
12. Restore power to the junction box and test ceiling light fixture.

CARE INSTRUCTIONS:

1. Make sure that the power is turned off and bulb has cooled before handling.
2. Wipe clean with a dry cloth / mild soapy solution. Do not use corrosive cleaners.
3. The cable/cord of this ceiling light cannot be replaced. If the cable is damaged, do not use the light.

ENVIRONMENT:

Special waste handling may be required. Please contact your local authorities for more information.





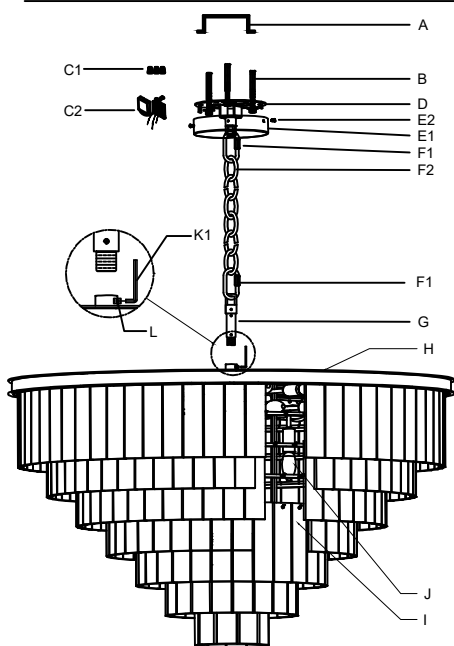
TIMOTHY OULTON

ASSEMBLY INSTRUCTION

BARK RND 7RING PENDANT

PARTS ENCLOSED

ITEMS	DIAGRAM	DESCRIPTION	QTY.
(A)		Junction BOX (Not included) 50LB. MIN.FIXTURE RATED Ceiling Hook	1
(B)		Mounting Screws (Not included)	6
(C1)		Wire Nut	3
(C2)		Terminal Box	1
(D)		Ceiling Plate	1
(E1)		Canopy	1
(E2)		Screws	2
(F1)		Quick link	2
(F2)		Chain	1
(G)		Hang Straight	1
(H)		Body	1
(I)		Glass+Spare	259+8
(J)		Bulb+Spare (E14 for EU/E12 for US)	25+9
(K1)		Small Allen Screwdriver	1
(K2)		Large Allen Screwdriver	1
(L)		Set Screws Spare parts	2



IMPORTANT SAFETY INSTRUCTIONS:

1. Use an authorized and certified electrician for consultation and installation.
2. This screws need to be screwed into a solid support structure inside the ceiling, which would require professional.
3. This fixture has been rated for 25 x 25-watt maximum standard bulb.
4. To avoid the risk of fire, do not exceed the recommended wattage.
5. The ceiling must have at least the capacity of 5 times the weight of the ceiling light. For this light at least a ceiling capacity of 408kg(899.5lb) is required.
6. The manufacturer and distributor accepts no liability for incorrect installation.
7. For indoor use only.
8. Keep away from children.

Warnings:

1. Turn-off electricity supply at main circuit panel before installing. Do not connect electricity supply until your ceiling light is fully assembled and installed.
2. All wires are connected. Do not remove the ceiling light from its packaging by pulling on the power cord, as a bad connection may result.
3. To reduce the risk of fire, electrical shock, or personal injury, always turn off the ceiling light and allow it to cool prior to replacing light bulb. Do not touch bulb when fixture is turned on or look directly at light bulb. Keep flammable materials away from light bulb.
4. Deviation from instructions may result in a risk of fire or electric shock.

PRODUCT DESCRIPTION:

General material: Iron
 Height: 91.0 cm (35.75 in)
 Diameter: 113.1 cm (44.5 in)
 Weight: 81.6 kgs (179.9 lbs)
 Grounded / Hardwired

TO ASSEMBLE:

1. Carefully remove all parts from the box and remove all plastic covering.
2. Turn OFF power to the junction box where the ceiling light will be installed.
3. Loosen the bolts (E2) from canopy (E1) by large allen screwdriver (K2) and remove the ceiling plate (D) from canopy (E1).
4. Attach the ceiling plate (D) to the ceiling with mounting screws (B).
5. Attach hang straight (G) to the body (H).
6. Unlock the quick link (F1) at the opposite end of the chain (F2) to attach the hang straight (G).
7. Fasten the bolts (L) by small allen screwdriver (K1)
8. Insert quick link (F1) into canopy (E1). Then unlock the quick link (F1) to attach ceiling mounting plate (D).
9. Connect wires from the fixture to the ceiling wires referring to **Wire & Safety Guidelines** with wire nuts (C1) or terminal box (C2).
10. Move the canopy (E1) up to the ceiling, then fasten the the bolts (E2) by large allen screwdriver (K2)
11. Fasten lightbulbs (J) to the lampholders.
12. Hang the glass (I) from inner layer to outer onto body (H) as drawing on left.
Note: To ensure safety of chandelier during glass installation, please maintain level of chandelier by ensuring you install glass drops in balanced way on opposite ends of light.
13. Restore power to the junction box and test ceiling light fixture.

CARE INSTRUCTIONS:

1. Make sure that the power is turned off and bulb has cooled before handling.
2. Wipe clean with a dry cloth / mild soapy solution. Do not use corrosive cleaners.
3. The cable/cord of this ceiling light cannot be replaced. If the cable is damaged, do not use the light.

ENVIRONMENT:

Special waste handling may be required. Please contact your local authorities for more information.