



TIMOTHY OULTON ASSEMBLY INSTRUCTION

REX SMALL CHANDELIER

PARTS ENCLOSED

ITEMS	DIAGRAM	DESCRIPTION	QTY.
(A)		Wooden Beam (Not included)	—
(B1)		Wooden Ceiling Mounting Hardware	1
(B2)		Quick Link	
(C)		Mounting Bolts & nuts (Not included)	1 Set
(D1)		Canopy	1
(D2)			
(E1)		Collar	
(E2)		Hang Straight	1
(E3)		Chain	
(E4)		Quick link	
(F1)		Wire Nut	3
(F2)		Terminal Box	1
(G)		Bulb+ Spare	6+2
(H)		Collar	1
(I)		Body	1
(I1)		Glass Drop	
(I2)		Metal Ring	
(I3)		Bolt	
(J1)		Spare Glass Drop	3
(J2)		Spare Glass Drop	2

IMPORTANT SAFETY INSTRUCTIONS:

1. Use an authorized and certified electrician for consultation and installation. Electrician must be familiar with commercial-type applications of very heavy chandeliers.
2. The screws need to be screwed into a solid support structure inside the ceiling, which would require professional.
3. This fixture has been rated for 6 x 25-watt maximum standard bulb.
4. To avoid the risk of fire, do not exceed the recommended wattage.
5. The ceiling must have at least the capacity of 5 times the weight of the ceiling light.
For this light at least a ceiling capacity of 202.5 (446.31lbs) kg is required.
6. The manufacturer and distributor accepts no liability for incorrect installation.
7. For indoor use only.
8. Keep away from children.

Warnings:

1. Turn-off electricity supply at main circuit panel before installing. Do not connect electricity supply until your ceiling light is fully assembled and installed.
2. All wires are connected. Do not remove the ceiling light from its packaging by pulling on the power cord, as a bad connection may result.
3. To reduce the risk of fire, electrical shock, or personal injury, always turn off the ceiling light and allow it to cool prior to replacing light bulb. Do not touch bulb when fixture is turned on or look directly at light bulb. Keep flammable materials away from light bulb.
4. Deviation from instructions may result in a risk of fire or electric shock.

PRODUCT DESCRIPTION:

General material: Glass & Iron
 Height: 65.0cm(22.0in)
 Diameter: 70.0cm(27.6in)
 Weight: 40.5 kg(89.3lbs)
 Grounded / Hardwired

TO ASSEMBLE:

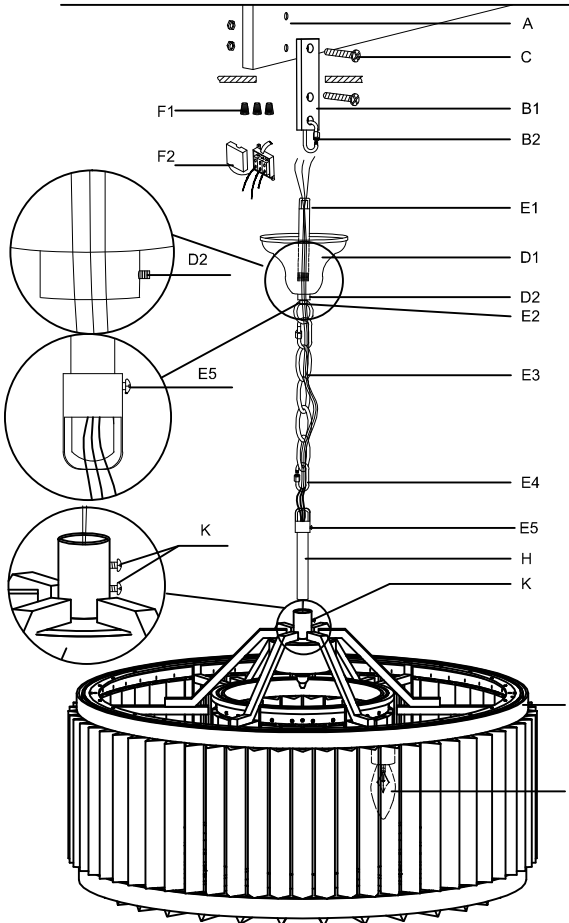
1. Carefully remove all parts from the box and remove all plastic covering.
2. Turn OFF power to the junction box where the ceiling light will be installed.
3. Loosen the bolt (E5) of hang straight (E2) and remove the collar (E1) from the hang straight (E2) by unscrewing it. Then insert collar (E1) into canopy (D1) and re-attach collar (E1) to hang straight (E2). **Tighten the bolt (E5) of the hang straight (E2).**
4. **Fasten collar (H) to chandelier body (I), Make sure the collar (H) is perfectly tight. Tighten the bolts (K) on Body (I) make sure the bolts (K) is tight. Only carry the fixture using the top of the body (I) not the lower part of the body.**
5. Unlock the quick link (E4) at the end of the chain (E3) to attach the collar (H).
6. Attach the wooden ceiling mounting hardware (B1) to the wooden beam (A) with mounting bolts and nuts (C).
7. Unlock quick link (B2) to attach the end of the collar (E1).
8. Connect wires from the fixture to the ceiling wires referring to **Wire & Safety Guidelines** with wire nuts (F1) or terminal box (F2).
9. Move the canopy (D1) up to the ceiling, **then fasten the bolt (D2).**
10. Fasten lightbulbs (G) to the lampholders.
11. Restore power to the junction box and test ceiling light fixture.
12. When replacing the glass, loosen the bolt (I3) and detach the metal ring (I2). Loosen the bolts at both ends of glass (I1) and remove glass (I1). Fasten glass (J1) or (J2) at both ends with the bolts of glass (I1). Place metal ring (I2) and fasten bolts (I3).

CARE INSTRUCTIONS:

1. Make sure that the power is turned off and bulb has cooled before handling.
2. Wipe clean with a dry cloth / use a feather duster. Do not use corrosive cleaners. Do not rotate or apply pressure to the side of the fixture while cleaning.
3. The cable/cord of this ceiling light cannot be replaced: If the cable is damaged, do not use the light.

ENVIRONMENT:

Special waste handling may be required. Please contact your local authorities for more information.





TIMOTHY OULTON ASSEMBLY INSTRUCTION

REX MEDIUM CHANDELIER

PARTS ENCLOSED

ITEMS	DIAGRAM	DESCRIPTION	QTY.
(A)		Wooden Beam (Not included)	—
(B1)		Wooden Ceiling Mounting Hardware	1
(B2)		Quick Link	
(C)		Mounting Bolts & nuts (Not included)	1 Set
(D1)		Canopy	1
(D2)			
(E1)		Collar	
(E2)		Hang Straight	1
(E3)		Chain	
(E4)		Quick link	
(F1)		Wire Nut	3
(F2)		Terminal Box	1
(G)		Bulb+ Spare	8+3
(H)		Collar	1
(I)		Body	1
(I1)		Glass Drop	
(I2)		Metal Ring	
(I3)		Bolt	
(J)		Spare Glass Drop	5

IMPORTANT SAFETY INSTRUCTIONS:

1. Use an authorized and certified electrician for consultation and installation. Electrician must be familiar with commercial-type applications of very heavy chandeliers.
2. The screws need to be screwed into a solid support structure inside the ceiling, which would require professional.
3. This fixture has been rated for 8 x 25-watt maximum standard bulb.
4. To avoid the risk of fire, do not exceed the recommended wattage.
5. The ceiling must have at least the capacity of 5 times the weight of the ceiling light. For this light at least a ceiling capacity of 293 (646.1lbs) kg is required.
6. The manufacturer and distributor accepts no liability for incorrect installation.
7. For indoor use only.
8. Keep away from children.

Warnings:

1. Turn-off electricity supply at main circuit panel before installing. Do not connect electricity supply until your ceiling light is fully assembled and installed.
2. All wires are connected. Do not remove the ceiling light from its packaging by pulling on the power cord, as a bad connection may result.
3. To reduce the risk of fire, electrical shock, or personal injury, always turn off the ceiling light and allow it to cool prior to replacing light bulb. Do not touch bulb when fixture is turned on or look directly at light bulb. Keep flammable materials away from light bulb.
4. Deviation from instructions may result in a risk of fire or electric shock.

PRODUCT DESCRIPTION:

General material: Glass & Iron
Height: 65.0cm(22.0in)
Diameter: 90.0cm(35.4in)
Weight: 58.6 kg(129.2lbs)
Grounded / Hardwired

TO ASSEMBLE:

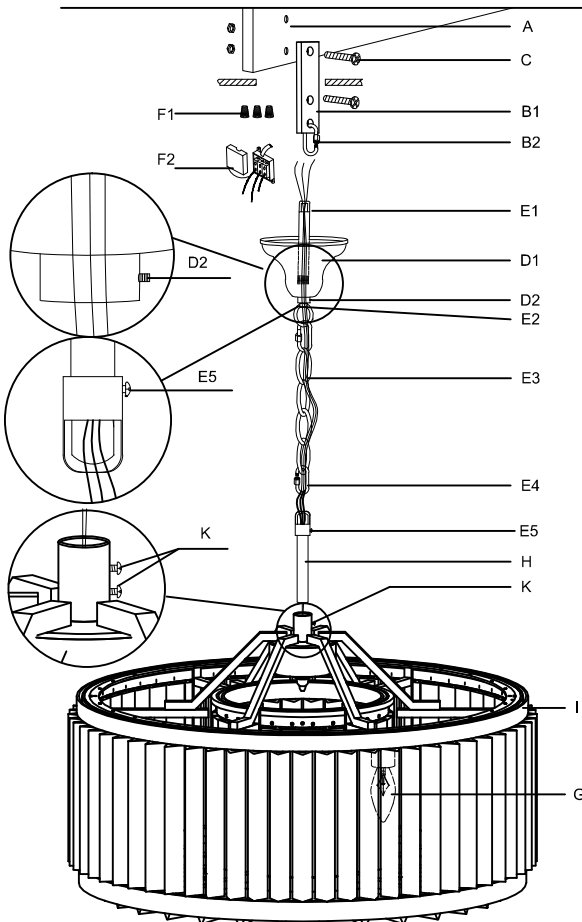
1. Carefully remove all parts from the box and remove all plastic covering.
2. Turn OFF power to the junction box where the ceiling light will be installed.
3. Loosen the bolt (E5) of hang straight (E2) and remove the collar (E1) from the hang straight (E2) by unscrewing it. Then insert collar (E1) into canopy (D1) and re-attach collar (E1) to hang straight (E2). **Tighten the bolt (E5) of the hang straight (E2).**
4. **Fasten collar (H) to chandelier body (I), Make sure the collar (H) is perfectly tight. Tighten the bolts (K) on Body (I) make sure the bolts (K) is tight. Only carry the fixture using the top of the body (I) not the lower part of the body.**
5. Unlock the quick link (E4) at the end of the chain (E3) to attach the collar (H).
6. Attach the wooden ceiling mounting hardware (B1) to the wooden beam (A) with mounting bolts and nuts (C).
7. Unlock quick link (B2) to attach the end of the collar (E1).
8. Connect wires from the fixture to the ceiling wires referring to **Wire & Safety Guidelines** with wire nuts (F1) or terminal box (F2).
9. Move the canopy (D1) up to the ceiling, **then fasten the bolt (D2).**
10. Fasten lightbulbs (G) to the lampholders.
11. Restore power to the junction box and test ceiling light fixture.
12. When replacing the glass, loosen the bolt (I3) and detach the metal ring (I2). Loosen the bolts at both ends of glass (I1) and remove glass (I1). Fasten glass (J) at both ends with the bolts of glass (I1). Place metal ring (I2) and fasten bolts (I3).

CARE INSTRUCTIONS:

1. Make sure that the power is turned off and bulb has cooled before handling.
2. Wipe clean with a dry cloth / use a feather duster. Do not use corrosive cleaners. Do not rotate or apply pressure to the side of the fixture while cleaning.
3. The cable/cord of this ceiling light cannot be replaced: If the cable is damaged, do not use the light.

ENVIRONMENT:

Special waste handling may be required. Please contact your local authorities for more information.





TIMOTHY OULTON ASSEMBLY INSTRUCTION

REX LARGE CHANDELIER

PARTS ENCLOSED

ITEMS	DIAGRAM	DESCRIPTION	QTY.
(A)		Wooden Beam (Not included)	—
(B1)		Wooden Ceiling Mounting Hardware	1
(B2)		Quick Link	
(C)		Mounting Bolts & nuts (Not included)	1 Set
(D1)		Canopy	1
(D2)			
(E1)		Collar	
(E2)		Hang Straight	1
(E3)		Chain	
(E4)		Quick link	
(F1)		Wire Nut	3
(F2)		Terminal Box	1
(G)		Bulb+ Spare	10+3
(H)		Collar	1
(I)		Body	1
(I1)		Glass Drop	
(I2)		Metal Ring	
(I3)		Bolt	
(J)		Spare Glass Drop	6

IMPORTANT SAFETY INSTRUCTIONS:

1. Use an authorized and certified electrician for consultation and installation. Electrician must be familiar with commercial-type applications of very heavy chandeliers.
2. The screws need to be screwed into a solid support structure inside the ceiling, which would require professional.
3. This fixture has been rated for 10 x 25-watt maximum standard bulb.
4. To avoid the risk of fire, do not exceed the recommended wattage.
5. The ceiling must have at least the capacity of 5 times the weight of the ceiling light.
For this light at least a ceiling capacity of 495 (1091.5lbs) kg is required.
6. The manufacturer and distributor accepts no liability for incorrect installation.
7. For indoor use only.
8. Keep away from children.

Warnings:

1. Turn-off electricity supply at main circuit panel before installing. Do not connect electricity supply until your ceiling light is fully assembled and installed.
2. All wires are connected. Do not remove the ceiling light from its packaging by pulling on the power cord, as a bad connection may result.
3. To reduce the risk of fire, electrical shock, or personal injury, always turn off the ceiling light and allow it to cool prior to replacing light bulb. Do not touch bulb when fixture is turned on or look directly at light bulb. Keep flammable materials away from light bulb.
4. Deviation from instructions may result in a risk of fire or electric shock.

PRODUCT DESCRIPTION:

General material: Glass & Iron
 Height: 65.0cm(22.0in)
 Diameter: 110.0cm(43.3in)
 Weight: 99.0 kg(218.3lbs)
 Grounded / Hardwired

TO ASSEMBLE:

1. Carefully remove all parts from the box and remove all plastic covering.
2. Turn OFF power to the junction box where the ceiling light will be installed.
3. Loosen the bolt (E5) of hang straight (E2) and remove the collar (E1) from the hang straight (E2) by unscrewing it. Then insert collar (E1) into canopy (D1) and re-attach collar (E1) to hang straight (E2). **Tighten the bolt (E5) of the hang straight (E2).**
4. **Fasten collar (H) to chandelier body (I), Make sure the collar (H) is perfectly tight. Tighten the bolts (K) on Body (I) make sure the bolts (K) is tight. Only carry the fixture using the top of the body (I) not the lower part of the body.**
5. Unlock the quick link (E4) at the end of the chain (E3) to attach the collar (H).
6. Attach the wooden ceiling mounting hardware (B1) to the wooden beam (A) with mounting bolts and nuts (C).
7. Unlock quick link (B2) to attach the end of the collar (E1).
8. Connect wires from the fixture to the ceiling wires referring to **Wire & Safety Guidelines** with wire nuts (F1) or terminal box (F2).
9. Move the canopy (D1) up to the ceiling, **then fasten the bolt (D2).**
10. Fasten lightbulbs (G) to the lampholders.
11. Restore power to the junction box and test ceiling light fixture.
12. When replacing the glass, loosen the bolt (I3) and detach the metal ring (I2). Loosen the bolts at both ends of glass (I1) and remove glass (I1). Fasten glass (J) at both ends with the bolts of glass (I1). Place metal ring (I2) and fasten bolts (I3).

CARE INSTRUCTIONS:

1. Make sure that the power is turned off and bulb has cooled before handling.
2. Wipe clean with a dry cloth / use a feather duster. Do not use corrosive cleaners. Do not rotate or apply pressure to the side of the fixture while cleaning.
3. The cable/cord of this ceiling light cannot be replaced: If the cable is damaged, do not use the light.

ENVIRONMENT:

Special waste handling may be required. Please contact your local authorities for more information.

