



TIMOTHY OULTON

ASSEMBLY INSTRUCTION

FROZEN CURVE PENDANT SM

PARTS ENCLOSED

ITEMS	DIAGRAM	DESCRIPTION	QTY.
(A)		Junction Box (Not included) 50LB.MIN.FIXTURE RATED	1
(B)		Mounting Bolts (Not included)	4
(C1)		Wire Nuts	3
(C2)		Terminal Box	1
(D)		Ceiling Plate	1
(H)		Locking Pins	3
(E1)		Ceiling Box	1
(E2)		Bolts	2
(E3)		Steel Cables	3
(F)		Body	1
(G1)		Small Allen Key	1
(G2)		Large Allen Key	1

IMPORTANT SAFETY INSTRUCTIONS:

1. Use an authorized and certified electrician for consultation and installation.
2. This fixture has been rated for:
EU/UK/AUS---25-watt LED module.
US ---25-watt LED module.
3. To avoid the risk of fire, do not exceed the recommended wattage.
4. The manufacturer and distributor accepts no liability for incorrect installation.
5. The ceiling must have at least the capacity of 5 times the weight of the lighting fixture. For this light at least a ceiling capacity of 155kg (341lb) is required.
6. For indoor use only.
7. Keep away from children.

WARNINGS:

1. Turn-off electricity supply at main circuit panel before installing. Do not connect electricity supply until your fixture is fully assembled and installed.
2. All wires are connected. Do not remove the fixture from its packaging by pulling on the power cord, as a bad connection may result.
3. To reduce the risk of fire, electrical shock, or personal injury, always turn off the fixture and allow it to cool prior to replacing light source. Do not touch light source when fixture is turned on or look directly at light source. Keep flammable materials away from light source.
4. Deviation from instructions may result in a risk of fire or electric shock.

PRODUCT DESCRIPTION:

General material: Calcite, Metal & Glass
 Height: 9.4cm (3.7in)
 Diameter: 79.8cm (31.42in)
 Weight: 31kg (68.2lbs)

ASSEMBLY INSTRUCTIONS:

1. Carefully remove all parts from the box and remove all plastic covering.
2. Turn OFF power to the junction box where the lighting fixture will be installed.
3. Loosen bolts (E2) by large allen key (G2) and move down the ceiling box (E1) from the ceiling plate (D).
4. Attach the ceiling plate (D) to the ceiling with mounting bolts (B).
5. Carefully inspect the fixture wires. One is the ground wire (marked with ⊕). The second is the neutral wire (marked with N). The third wire is the live/hot wire (marked with L)
6. For US Market: Connect the fixture ground wire (marked with ⊕) to the power supply ground wire, connect the fixture neutral wire (marked with N) to the power supply neutral wire, and connect the fixture live/hot wire (marked with L) to the power supply live/hot wire with wire nuts (C1).
7. For non-US Market: Connect the fixture ground wire (marked with ⊕) to the power supply ground wire, connect the fixture neutral wire (marked with N) to the power supply neutral wire, and connect the fixture live/hot wire (marked with L) to the power supply live/hot wire with terminal box (C2).
8. The length of the steel cable (E3) is adjustable. To determine the proper height of the fixture, hold the fixture body (F) up against the ceiling box (E1) to adjust the steel cable (E3).
9. Depress locking pins (H) on the ceiling plate (D), hold pin in place and pull down or push up on the steel cable (E3). Repeat step for each steel cable.
10. Restore power to the junction box and test lighting fixture.

REPLACE LIGHT SOURCE AND LED DRIVER:

1. The light sources and driver are not user replaceable. Please contact the manufacturer or his service agent.
2. Turn OFF power to the junction box where the lighting fixture will be installed.
3. Uninstall the lighting fixture from the ceiling.
4. Loosen the bolts from ceiling box, then unlock the wire nuts and remove the old LED driver.
5. Install the new LED driver.
6. Loosen the bolts (F1) and steel cable locks (I2).
7. Replace the new light source (I1), then connect to the wiring of the LED driver.
 Note: Connect the wiring of the LED driver (mark with "+") to the wiring (mark with "+") of the light source. Connect the wiring of the LED driver (mark with "-") to the wiring (mark with "-") of the light source.
8. Fix the light source (I1) back to fixture body (F) and secure with bolts (F1) and steel cable locks (I2).

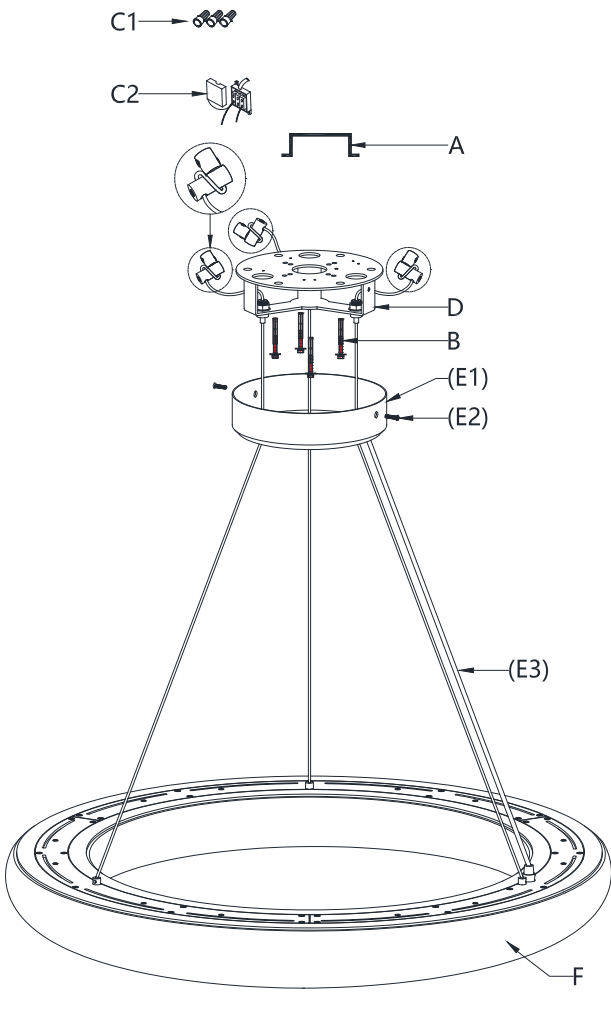
CARE INSTRUCTIONS:

1. Make sure that the power is turned off and light source has cooled before handling.
2. Wipe clean with a dry cloth. Do not use corrosive cleaners.
3. If the external flexible cable or cord of this luminaire is damaged, it shall be exclusively replaced by the manufacturer or his service agent or a similar qualified person in order to avoid a hazard.
4. The light source contained in this luminaire shall only be replaced by the manufacturer or his service agent or a similar qualified person.

WEEE STATEMENT:

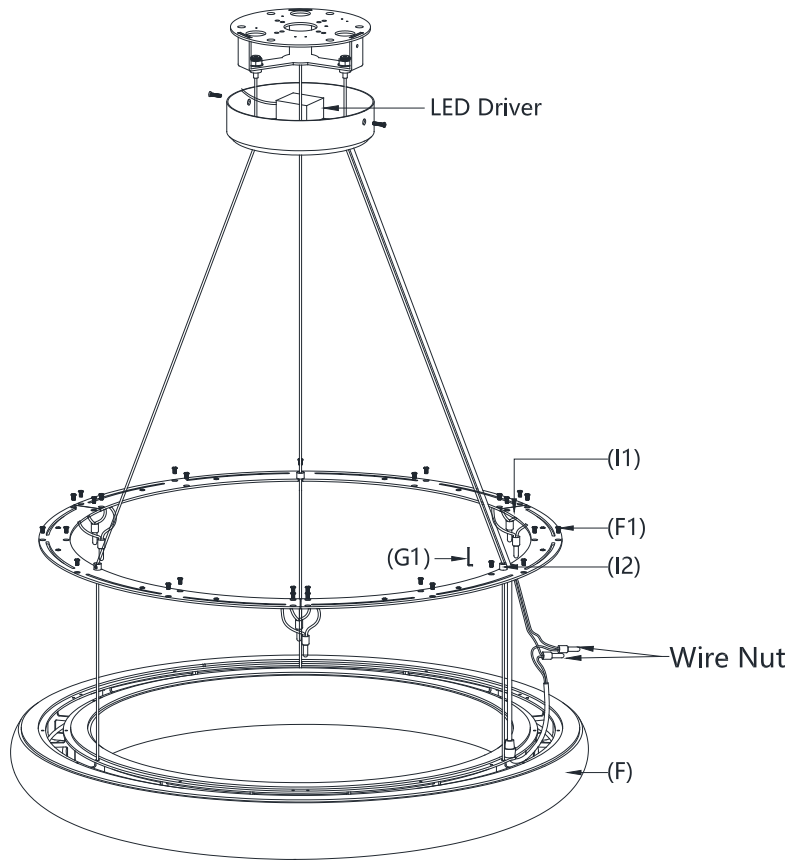


Disposal of waste equipment by users.
 This symbol means do not dispose of your product with your other household waste. Instead, you should protect human health and the environment by handing over your waste equipment to a designated collection point for the recycling of waste electrical and electronic equipment. For more information, please contact your household waste disposal service.





TIMOTHY OULTON
ASSEMBLY INSTRUCTION
FROZEN CURVE PENDANT SM





TIMOTHY OULTON

ASSEMBLY INSTRUCTION

FROZEN CURVE PENDANT MED

PARTS ENCLOSED

ITEMS DIAGRAM DESCRIPTION QTY.

(A)		Junction Box (Not included) 50LB.MIN.FIXTURE RATED	1
(B)		Mounting Bolts (Not included)	4
(C1)		Wire Nuts	3
(C2)		Terminal Box	1
(D)		Ceiling Plate	1
(H)		Locking Pins	3
(E1)		Ceiling Box	1
(E2)		Bolts	2
(E3)		Steel Cables	3
(F)		Body	1
(G1)		Small Allen Key	1
(G2)		Large Allen Key	1

IMPORTANT SAFETY INSTRUCTIONS:

1. Use an authorized and certified electrician for consultation and installation.
2. This fixture has been rated for:
 - EU/UK/AUS---30-watt LED module.
 - US ---31-watt LED module.
3. To avoid the risk of fire, do not exceed the recommended wattage.
4. The manufacturer and distributor accepts no liability for incorrect installation.
5. The ceiling must have at least the capacity of 5 times the weight of the lighting fixture For this light at least a ceiling capacity of 235kg (517lb) is required.
6. For indoor use only.
7. Keep away from children.

WARNINGS:

1. Turn-off electricity supply at main circuit panel before installing. Do not connect electricity supply until your fixture is fully assembled and installed.
2. All wires are connected. Do not remove the fixture from its packaging by pulling on the power cord, as a bad connection may result.
3. To reduce the risk of fire, electrical shock, or personal injury, always turn off the fixture and allow it to cool prior to replacing light source. Do not touch light source when fixture is turned on or look directly at light source. Keep flammable materials away from light source.
4. Deviation from instructions may result in a risk of fire or electric shock.

PRODUCT DESCRIPTION:

General material: Calcite, Metal & Glass
 Height: 9.4cm (3.7in)
 Diameter: 103.7cm (40.83in)
 Weight: 47.0kg (103.4lbs)

ASSEMBLY INSTRUCTIONS:

1. Carefully remove all parts from the box and remove all plastic covering.
2. Turn OFF power to the junction box where the lighting fixture will be installed.
3. Loosen bolts (E2) by large allen key (G2) and move down the ceiling box (E1) from the ceiling plate (D).
4. Attach the ceiling plate (D) to the ceiling with mounting bolts (B).
5. Carefully inspect the fixture wires. One is the ground wire (marked with ⊕).The second is the neutral wire (marked with N). The third wire is the live/hot wire (marked with L)
6. For US Market: Connect the fixture ground wire (marked with ⊕) to the power supply ground wire, connect the fixture neutral wire (marked with N) to the power supply neutral wire, and connect the fixture live/hot wire (marked with L) to the power supply live/hot wire with wire nuts (C1).
7. For non-US Market: Connect the fixture ground wire (marked with ⊕) to the power supply ground wire, connect the fixture neutral wire (marked with N) to the power supply neutral wire, and connect the fixture live/hot wire (marked with L) to the power supply live/hot wire with terminal box (C2).
8. The length of the steel cable (E3) is adjustable. To determine the proper height of the fixture, hold the fixture body (F) up against the ceiling box (E1) to adjust the steel cable (E3).
9. Depress locking pins (H) on the ceiling plate (D), hold pin in place and pull down or push up on the steel cable (E3). Repeat step for each steel cable.
10. Restore power to the junction box and test lighting fixture.

REPLACE LIGHT SOURCE AND LED DRIVER:

1. The light sources and driver are not user replaceable. Please contact the manufacturer or his service agent.
2. Turn OFF power to the junction box where the lighting fixture will be installed.
3. Uninstall the lighting fixture from the ceiling.
4. Loosen the bolts from ceiling box, then unlock the wire nuts and remove the old LED driver.
5. Install the new LED driver.
6. Loosen the bolts (F1) and steel cable locks (I2).
7. Replace the new light source (I1), then connect to the wiring of the LED driver.
 - Note: Connect the wiring of the LED driver (mark with "+") to the wiring (mark with "+") of the light source.
 - Connect the wiring of the LED driver (mark with "-") to the wiring (mark with "-") of the light source.
8. Fix the light source (I1) back to fixture body (F) and secure with bolts (F1) and steel cable locks (I2).

CARE INSTRUCTIONS:

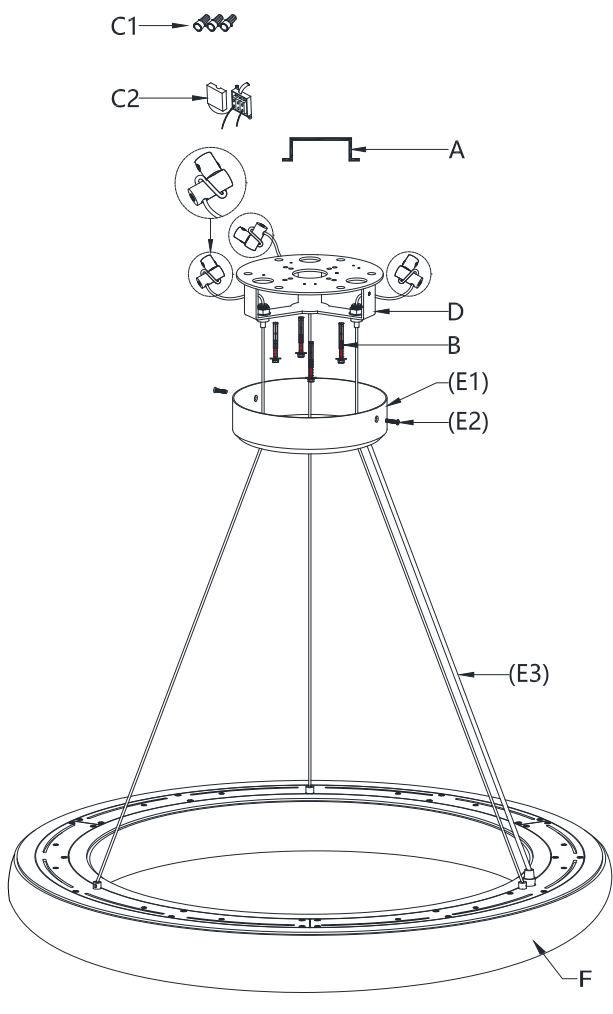
1. Make sure that the power is turned off and light source has cooled before handling.
2. Wipe clean with a dry cloth. Do not use corrosive cleaners.
3. If the external flexible cable or cord of this luminaire is damaged, it shall be exclusively replaced by the manufacturer or his service agent or a similar qualified person in order to avoid a hazard.
4. The light source contained in this luminaire shall only be replaced by the manufacturer or his service agent or a similar qualified person.

WEEE STATEMENT:



Disposal of waste equipment by users.

This symbol means do not dispose of your product with your other household waste. Instead, you should protect human health and the environment by handing over your waste equipment to a designated collection point for the recycling of waste electrical and electronic equipment. For more information, please contact your household waste disposal service.

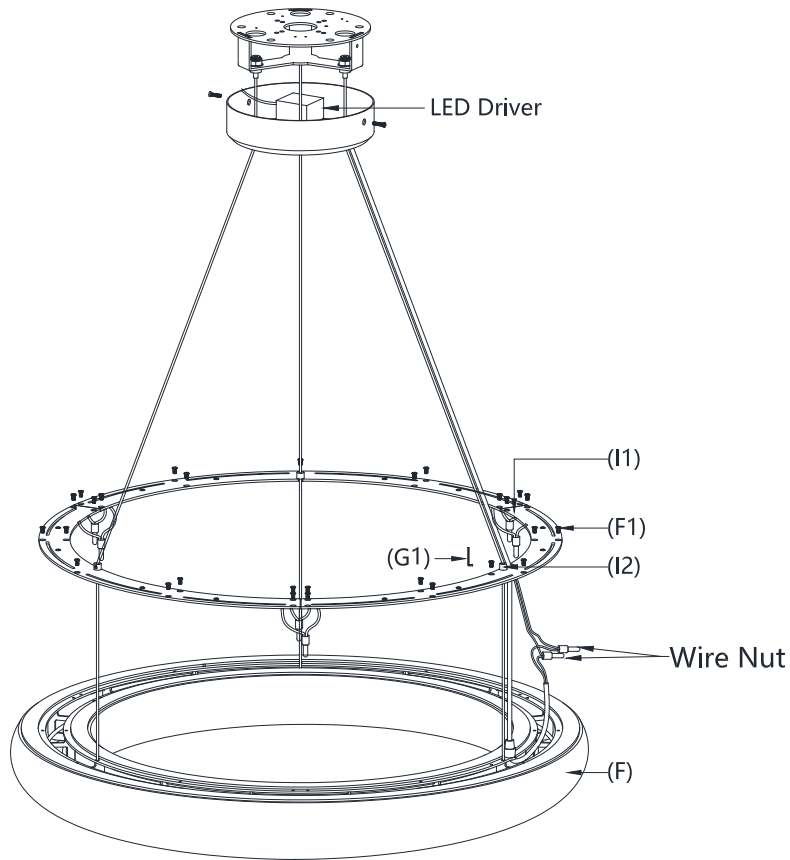




TIMOTHY OULTON

ASSEMBLY INSTRUCTION

FROZEN CURVE PENDANT MED





TIMOTHY OULTON

ASSEMBLY INSTRUCTION

FROZEN CURVE PENDANT LG

PARTS ENCLOSED

ITEMS	DIAGRAM	DESCRIPTION	QTY.
(A)		Junction Box (Not included) 50LB.MIN.FIXTURE RATED	1
(B)		Mounting Bolts (Not included)	8
(C1)		Wire Nuts	3
(C2)		Terminal Box	1
(D)		Ceiling Plate	1
(H)		Locking Pins	4
(E1)		Ceiling Box	1
(E2)		Bolts	2
(E3)		Steel Cables	4
(F)		Body	1
(G1)		Small Allen Key	1
(G2)		Large Allen Key	1

IMPORTANT SAFETY INSTRUCTIONS:

1. Use an authorized and certified electrician for consultation and installation.
2. This fixture has been rated for:
EU/UK/AUS---40-watt LED module.
US ---50-watt LED module.
3. To avoid the risk of fire, do not exceed the recommended wattage.
4. The manufacturer and distributor accepts no liability for incorrect installation.
5. The ceiling must have at least the capacity of 5 times the weight of the lighting fixture. For this light at least a ceiling capacity of 450kg (990lb) is required.
6. For indoor use only.
7. Keep away from children.

WARNINGS:

1. Turn-off electricity supply at main circuit panel before installing. Do not connect electricity supply until your fixture is fully assembled and installed.
2. All wires are connected. Do not remove the fixture from its packaging by pulling on the power cord, as a bad connection may result.
3. To reduce the risk of fire, electrical shock, or personal injury, always turn off the fixture and allow it to cool prior to replacing light source. Do not touch light source when fixture is turned on or look directly at light source. Keep flammable materials away from light source.
4. Deviation from instructions may result in a risk of fire or electric shock.

PRODUCT DESCRIPTION:

General material: Calcite, Metal & Glass
 Height: 11.4cm (4.49in)
 Diameter: 153.9cm (60.59in)
 Weight: 90.0kg (198.0lbs)

ASSEMBLY INSTRUCTIONS:

1. Carefully remove all parts from the box and remove all plastic covering.
2. Turn OFF power to the junction box where the lighting fixture will be installed.
3. Loosen bolts (E2) by large allen key (G2) and move down the ceiling box (E1) from the ceiling plate (D).
4. Attach the ceiling plate (D) to the ceiling with mounting bolts (B).
5. Carefully inspect the fixture wires. One is the ground wire (marked with ⊕). The second is the neutral wire (marked with N). The third wire is the live/hot wire (marked with L).
6. For US Market: Connect the fixture ground wire (marked with ⊕) to the power supply ground wire, connect the fixture neutral wire (marked with N) to the power supply neutral wire, and connect the fixture live/hot wire (marked with L) to the power supply live/hot wire with wire nuts (C1).
7. For non-US Market: Connect the fixture ground wire (marked with ⊕) to the power supply ground wire, connect the fixture neutral wire (marked with N) to the power supply neutral wire, and connect the fixture live/hot wire (marked with L) to the power supply live/hot wire with terminal box (C2).
8. The length of the steel cable (E3) is adjustable. To determine the proper height of the fixture, hold the fixture body (F) up against the ceiling box (E1) to adjust the steel cable (E3).
9. Depress locking pins (H) on the ceiling plate (D), hold pin in place and pull down or push up on the steel cable (E3). Repeat step for each steel cable.
10. Restore power to the junction box and test lighting fixture.

REPLACE LIGHT SOURCE AND LED DRIVER:

1. The light sources and driver are not user replaceable. Please contact the manufacturer or his service agent.
2. Turn OFF power to the junction box where the lighting fixture will be installed.
3. Uninstall the lighting fixture from the ceiling.
4. Loosen the bolts from ceiling box, then unlock the wire nuts and remove the old LED driver.
5. Install the new LED driver.
6. Loosen the bolts (F1) and steel cable locks (I2).
7. Replace the new light source (I1), then connect to the wiring of the LED driver.
 Note: Connect the wiring of the LED driver (mark with "+") to the wiring (mark with "+") of the light source.
 Connect the wiring of the LED driver (mark with "-") to the wiring (mark with "-") of the light source.
8. Fix the light source (I1) back to fixture body (F) and secure with bolts (F1) and steel cable locks (I2).

CARE INSTRUCTIONS:

1. Make sure that the power is turned off and light source has cooled before handling.
2. Wipe clean with a dry cloth. Do not use corrosive cleaners.
3. If the external flexible cable or cord of this luminaire is damaged, it shall be exclusively replaced by the manufacturer or his service agent or a similar qualified person in order to avoid a hazard.
4. The light source contained in this luminaire shall only be replaced by the manufacturer or his service agent or a similar qualified person.

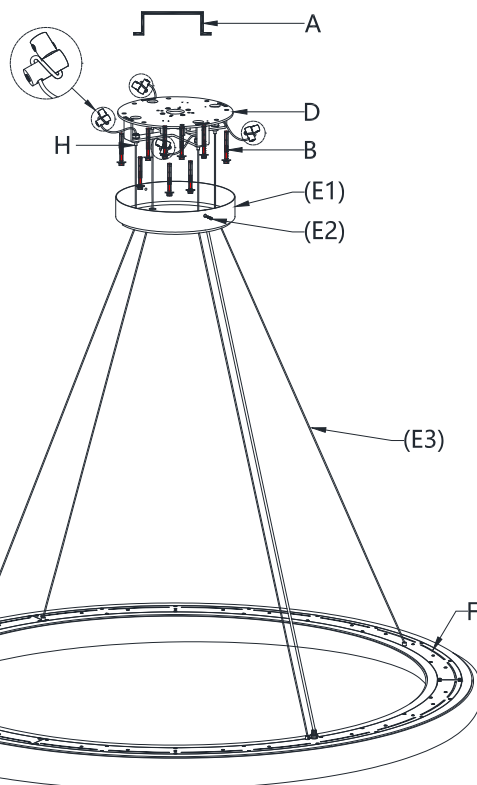
WEEE STATEMENT:



Disposal of waste equipment by users.
 This symbol means do not dispose of your product with your other household waste. Instead, you should protect human health and the environment by handing over your waste equipment to a designated collection point for the recycling of waste electrical and electronic equipment. For more information, please contact your household waste disposal service.

C1 →

C2 →





TIMOTHY OULTON

ASSEMBLY INSTRUCTION

FROZEN CURVE PENDANT LG

