



# TIMOTHY OULTON

## ASSEMBLY INSTRUCTION

NEWTON RECTANGULAR PENDANT 100x21CM

### PARTS ENCLOSED

ITEMS	DIAGRAM	DESCRIPTION	QTY.
(A)		<b>Junction Box</b> (Not included) 100LB. MIN.FIXTURE RATED	1
(B)		<b>Mounting Screws</b> (Not included)	3 Sets
(C1)		<b>Wire Nut</b>	3
(C2)		<b>Terminal Box</b>	1
(D)		<b>Glass Rod+Spare</b>	21+1
(E)		<b>Bulb+Spare</b> (E14 for EU/E12 for US)	4+1
(F)		<b>Body</b>	1
(F1)		<b>Ceiling Plate</b>	1
(F2)		<b>Ceiling Box</b>	1
(F3)		<b>Screw Cap</b>	2

### IMPORTANT SAFETY INSTRUCTIONS:

1. Use an authorized and certified electrician for consultation and installation.
2. This fixture has been rated for 4 x 25-watt maximum standard bulb.
3. To avoid the risk of fire, do not exceed the recommended wattage.
4. The ceiling must have at least the capacity of 5 times the weight of the ceiling light.  
For this light at least a ceiling capacity of 125.0kg (275.57lb) is required.
5. The manufacturer and distributor accepts no liability for incorrect installation.
6. For indoor use only.
7. Keep away from children.

### Warnings:

1. Turn-off electricity supply at main circuit panel before installing. Do not connect electricity supply until your ceiling light is fully assembled and installed.
2. All wires are connected. Do not remove the ceiling light from its packaging by pulling on the power cord, as a bad connection may result.
3. To reduce the risk of fire, electrical shock, or personal injury, always turn off the ceiling light and allow it to cool prior to replacing light bulb. Do not touch bulb when fixture is turned on or look directly at light bulb. Keep flammable materials away from light bulb.
4. Deviation from instructions may result in a risk of fire or electric shock.

### PRODUCT DESCRIPTION:

General material: Glass & Iron

Height: 23.5 cm (9.25in)

Width: 21.0 cm (8.27in)

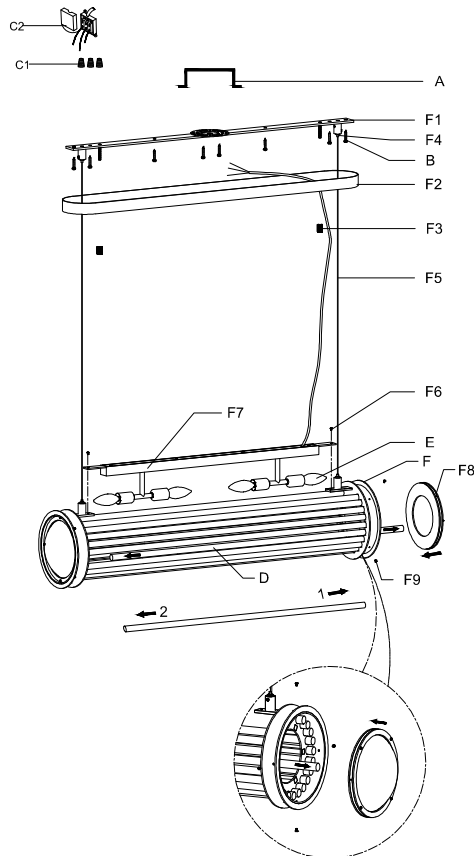
Length: 100.0cm (39.37in)

Weight: 25.0kg (55.11lb)

Grounded / Hardwired

### TO ASSEMBLE:

1. Carefully remove all parts from the box and remove all plastic covering.
2. Turn OFF power to the junction box where the ceiling light will be installed.
3. Loosen the screw cap (F3) from ceiling box (F2) and remove ceiling plate (F1) from ceiling box (F2).
- 4.1 Press and loosen the height adjustable steel wire locking device (F4) to adjust the length of the steel wire (F5) in order to let the ceiling light fixture down and level.
- 4.2 Insert the steel wire into height adjustable wire locking device (F4) in order to let the ceiling light fixture go up to the suitable height and level.
5. Attach the ceiling plate (F1) to the ceiling with mounting screws (B).
6. Connect wires from the fixture to the ceiling wires referring to Wire & Safety Guidelines with wire nuts (C1) or terminal box (C2).
7. Fix the ceiling box (F2) to the ceiling plate (F1) by fasten the screw cap (F3).
8. Fasten lightbulbs(E) to the lampholders .
9. Loosen bolts (F9), then detach lens ring (F8) from body (F).
- 10.Insert the glass rod (D) into the slot of the metal ring at both ends of the body (F).
11. Attach lens ring (F8) to body (F) with bolts (F9) .
12. Restore power to the junction box and test the ceiling fixture.
13. When you want to replace the lightbulb,pls loosen the bolts (F6)  
move out the frame (F7),then replace the lightbulb,then fix the frame (F7)  
to body with bolts (F6) after replacing the lightbulb.



### CARE INSTRUCTIONS:

1. Make sure that the power is turned off and bulb has cooled before handling.
2. Wipe clean with a dry cloth / mild soapy solution. Do not use corrosive cleaners.
3. The cable/cord of this ceiling light cannot be replaced: If the cable is damaged, do not use the light.

### ENVIRONMENT:

Special waste handling may be required. Please contact your local authorities for more information.



# TIMOTHY OULTON

## ASSEMBLY INSTRUCTION

NEWTON RECTANGULAR PENDANT 125x21CM

### PARTS ENCLOSED

ITEMS	DIAGRAM	DESCRIPTION	QTY.
(A)		<b>Junction Box</b> (Not included) 100LB. MIN.FIXTURE RATED	1
(B)		<b>Mounting Screws</b> (Not included)	3 Sets
(C1)		<b>Wire Nut</b>	3
(C2)		<b>Terminal Box</b>	1
(D)		<b>Glass Rod+ Spare</b>	21+1
(E)		<b>Bulb+ Spare</b> (E14 for EU/E12 for US)	5+2
(F)		<b>Body</b>	1
(F1)		<b>Ceiling Plate</b>	1
(F2)		<b>Ceiling Box</b>	1
(F3)		<b>Screw Cap</b>	2

### IMPORTANT SAFETY INSTRUCTIONS:

1. Use an authorized and certified electrician for consultation and installation.
2. This fixture has been rated for 5 x 25-watt maximum standard bulb.
3. To avoid the risk of fire, do not exceed the recommended wattage.
4. The ceiling must have at least the capacity of 5 times the weight of the ceiling light.  
For this light at least a ceiling capacity of 152.0kg (335.09lb) is required.
5. The manufacturer and distributor accepts no liability for incorrect installation.
6. For indoor use only.
7. Keep away from children.

### Warnings:

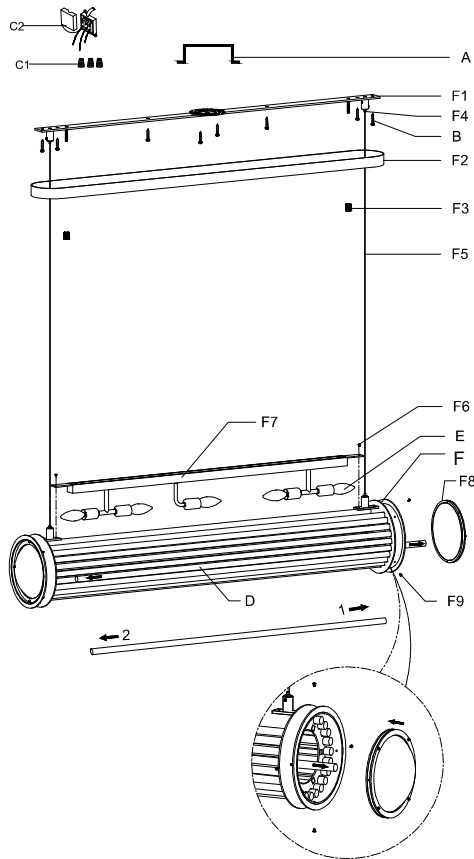
1. Turn-off electricity supply at main circuit panel before installing. Do not connect electricity supply until your ceiling light is fully assembled and installed.
2. All wires are connected. Do not remove the ceiling light from its packaging by pulling on the power cord, as a bad connection may result.
3. To reduce the risk of fire, electrical shock, or personal injury, always turn off the ceiling light and allow it to cool prior to replacing light bulb. Do not touch bulb when fixture is turned on or look directly at light bulb. Keep flammable materials away from light bulb.
4. Deviation from instructions may result in a risk of fire or electric shock.

### PRODUCT DESCRIPTION:

General material: Glass & Iron  
 Height: 23.5 cm (19.25in)  
 Width: 21.0 cm (8.27in)  
 Length: 125.0 cm (49.21in)  
 Weight: 30.4kg (67.02lb)  
 Grounded / Hardwired

### TO ASSEMBLE:

1. Carefully remove all parts from the box and remove all plastic covering.
2. Turn OFF power to the junction box where the ceiling light will be installed.
3. Loosen the screw cap (F3) from ceiling box (F2) and remove ceiling plate (F1) from ceiling box (F2).
- 4.1 Press and loosen the height adjustable steel wire locking device (F4) to adjust the length of the steel wire (F5) in order to let the ceiling light fixture down and level.  
4.2 Insert the steel wire into height adjustable wire locking device (F4) in order to let the ceiling light fixture go up to the suitable height and level.
5. Attach the ceiling plate (F1) to the ceiling with mounting screws (B).
6. Connect wires from the fixture to the ceiling wires referring to Wire & Safety Guidelines with wire nuts (C1) or terminal box (C2).
7. Fix the ceiling box (F2) to the ceiling plate (F1) by fasten the screw cap (F3).
8. Fasten lightbulbs(E) to the lampholders .
9. Loosen bolts (F9), then detach lens ring (F8) from body (F).
10. Insert the glass rod (D) into the slot of the metal ring at both ends of the body (F).
11. Attach lens ring (F8) to body (F) with bolts (F9) .
12. Restore power to the junction box and test the ceiling fixture.
13. When you want to replace the lightbulb, pls loosen the bolts (F9) move out the frame (F), then replace the lightbulb, then fix the frame (F) to body with bolts (F6) after replacing the lightbulb.



### CARE INSTRUCTIONS:

1. Make sure that the power is turned off and bulb has cooled before handling.
2. Wipe clean with a dry cloth / mild soapy solution. Do not use corrosive cleaners.
3. The cable/cord of this ceiling light cannot be replaced: If the cable is damaged, do not use the light.

### ENVIRONMENT:

Special waste handling may be required. Please contact your local authorities for more information.



# TIMOTHY OULTON

## ASSEMBLY INSTRUCTION

NEWTON RECTANGULAR PENDANT 150X21CM

### PARTS ENCLOSED

ITEMS	DIAGRAM	DESCRIPTION	QTY.
(A)		<b>Junction Box</b> (Not included) 100LB. MIN.FIXTURE RATED	1
(B)		<b>Mounting Screws</b> (Not included)	5 Sets
(C1)		<b>Wire Nut</b>	3
(C2)		<b>Terminal Box</b>	1
(D)		<b>Glass Rod+Spare</b>	42+2
(E)		<b>Bulb+Spare</b> (E14 for EU/E12 for US)	6+3
(F)		<b>Body</b>	1
(F1)		<b>Ceiling Plate</b>	1
(F2)		<b>Ceiling Box</b>	1
(F3)		<b>Screw Cap</b>	2

### IMPORTANT SAFETY INSTRUCTIONS:

1. Use an authorized and certified electrician for consultation and installation.
2. This fixture has been rated for 6 x 25-watt maximum standard bulb.
3. To avoid the risk of fire, do not exceed the recommended wattage.
4. The ceiling must have at least the capacity of 5 times the weight of the ceiling light.  
For this light at least a ceiling capacity of 177.5kg (391.31lb) is required.
5. The manufacturer and distributor accepts no liability for incorrect installation.
6. For indoor use only.
7. Keep away from children.

### Warnings:

1. Turn-off electricity supply at main circuit panel before installing. Do not connect electricity supply until your ceiling light is fully assembled and installed.
2. All wires are connected. Do not remove the ceiling light from its packaging by pulling on the power cord, as a bad connection may result.
3. To reduce the risk of fire, electrical shock, or personal injury, always turn off the ceiling light and allow it to cool prior to replacing light bulb. Do not touch bulb when fixture is turned on or look directly at light bulb. Keep flammable materials away from light bulb.
4. Deviation from instructions may result in a risk of fire or electric shock.

### PRODUCT DESCRIPTION:

General material: Glass & Iron  
 Height: 23.5 cm (19.25in)  
 Width: 21.0 cm (8.27in)  
 Length: 150.0 cm (59.06in)  
 Weight: 35.5kg (78.26lb)  
 Grounded / Hardwired

### TO ASSEMBLE:

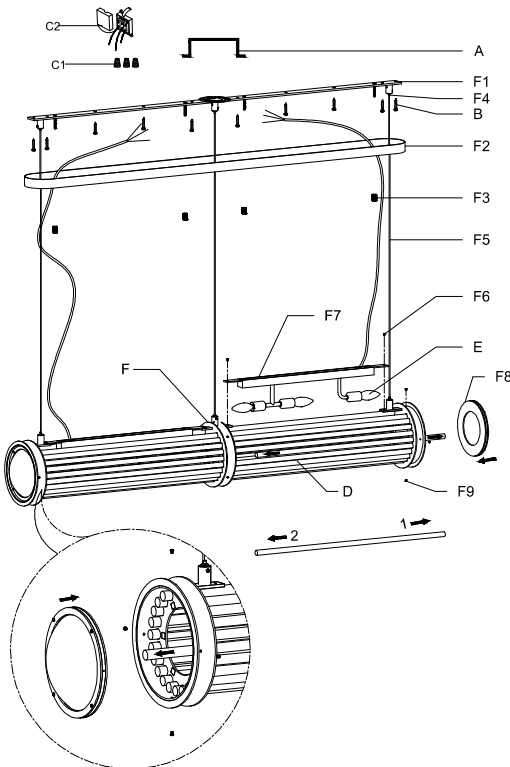
1. Carefully remove all parts from the box and remove all plastic covering.
2. Turn OFF power to the junction box where the ceiling light will be installed.
3. Loosen the screw cap (F3) from ceiling box (F2) and remove ceiling plate (F1) from ceiling box (F2).
- 4.1 Press and loosen the height adjustable steel wire locking device (F4) to adjust the length of the steel wire (F5) in order to let the ceiling light fixture down and level.  
4.2 Insert the steel wire into height adjustable wire locking device (F4) in order to let the ceiling light fixture go up to the suitable height and level.
5. Attach the ceiling plate (F1) to the ceiling with mounting screws (B).
6. Connect wires from the fixture to the ceiling wires referring to Wire & Safety Guidelines with wire nuts (C1) or terminal box (C2).
7. Fix the ceiling box (F2) to the ceiling plate (F1) by fasten the screw cap (F3).
8. Fasten lightbulbs(H) to the lampholders .
- 9.Loosen bolts (F9),then detach lens ring (F8) from body (F).
- 10.Insert glass rod (D) into the body (F).
11. Attach lens ring (F8) to body (F) with bolts (F9) .
12. Restore power to the junction box and test the ceiling fixture.
- 13.When you want to replace the lightbulb,pls loosen the bolts (F6) move out the frame (F7),then replace the lightbulb,then fix the frame (F7) to body with bolts (F6) after replacing the lightbulb.

### CARE INSTRUCTIONS:

1. Make sure that the power is turned off and bulb has cooled before handling.
2. Wipe clean with a dry cloth / mild soapy solution. Do not use corrosive cleaners.
3. The cable/cord of this ceiling light cannot be replaced: If the cable is damaged, do not use the light.

### ENVIRONMENT:

Special waste handling may be required. Please contact your local authorities for more information.





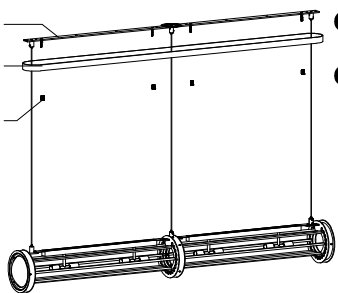
# TIMOTHY OULTON

## ASSEMBLY INSTRUCTION

NEWTON RECTANGULAR PENDANT 180X21CM

### PARTS ENCLOSED

ITEMS	DIAGRAM	DESCRIPTION	QTY.
(A)		<b>Junction Box</b> (Not included) 100LB. MIN.FIXTURE RATED	1
(B)		<b>Mounting Screws</b> (Not included)	2 Sets
(C1)		<b>Wire Nut</b>	3
(C2)		<b>Terminal Box</b>	1
(D)		<b>Glass Rod+Spare</b>	42+2
(E)		<b>Bulb+Spare</b> (E14 for EU/E12 for US)	8+3
(F)		<b>Body</b>	1
(F1)		<b>Ceiling Plate</b>	1
(F2)		<b>Ceiling Box</b>	1
(F3)		<b>Screw Cap</b>	4



### IMPORTANT SAFETY INSTRUCTIONS:

1. Use an authorized and certified electrician for consultation and installation.
2. This fixture has been rated for 8 x 25-watt maximum standard bulb.
3. To avoid the risk of fire, do not exceed the recommended wattage.
4. The ceiling must have at least the capacity of 5 times the weight of the ceiling light.  
For this light at least a ceiling capacity of 215.5 kg (475.08lb) is required.
5. The manufacturer and distributor accepts no liability for incorrect installation.
6. For indoor use only.
7. Keep away from children.

### Warnings:

1. Turn-off electricity supply at main circuit panel before installing. Do not connect electricity supply until your ceiling light is fully assembled and installed.
2. All wires are connected. Do not remove the ceiling light from its packaging by pulling on the power cord, as a bad connection may result.
3. To reduce the risk of fire, electrical shock, or personal injury, always turn off the ceiling light and allow it to cool prior to replacing light bulb. Do not touch bulb when fixture is turned on or look directly at light bulb. Keep flammable materials away from light bulb.
4. Deviation from instructions may result in a risk of fire or electric shock.

### PRODUCT DESCRIPTION:

General material: Glass & Iron

Height: 23.5 cm (19.25IN)

Width: 21.0 cm (8.27IN)

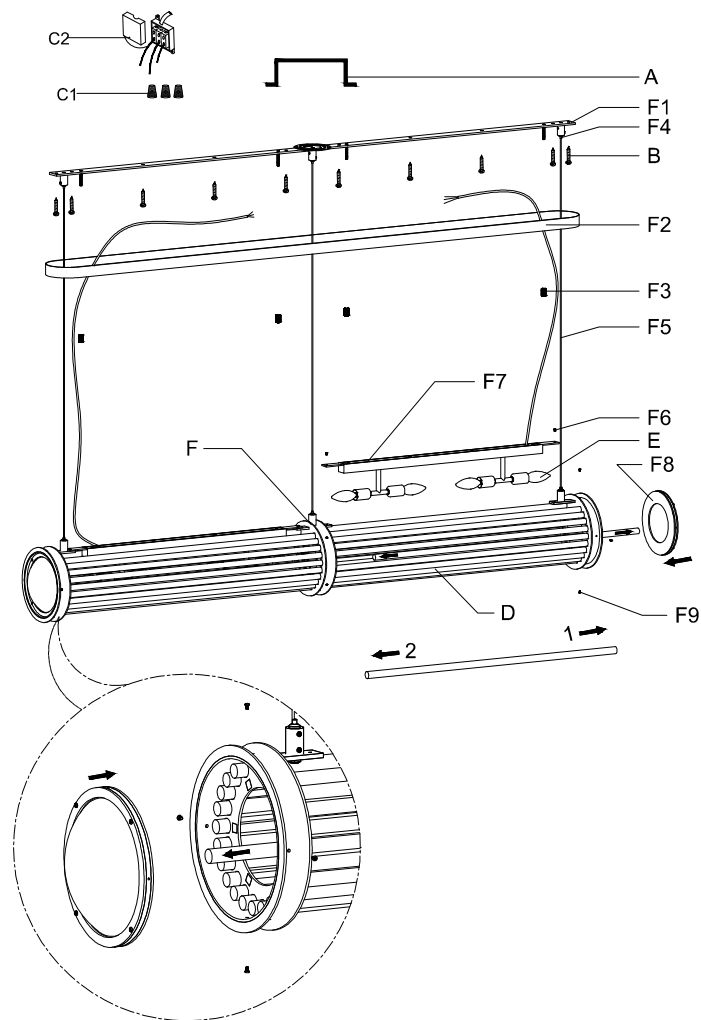
Length: 180.0 cm (70.87IN)

Weight: 43.1kg (95.01lb)

Grounded / Hardwired

### TO ASSEMBLE:

1. Carefully remove all parts from the box and remove all plastic covering.
2. Turn OFF power to the junction box where the ceiling light will be installed.
3. Loosen the screw cap (F3) from ceiling box (F2) and remove ceiling plate (F1) from ceiling box (F2).
- 4.1 Press and loosen the height adjustable steel wire locking device (F4) to adjust the length of the steel wire (F5) in order to let the ceiling light fixture down and level.
- 4.2 Insert the steel wire into height adjustable wire locking device (F4) in order to let the ceiling light fixture go up to the suitable height and level.
5. Attach the ceiling plate (F1) to the ceiling with mounting screws (B).
6. Connect wires from the fixture to the ceiling wires referring to Wire & Safety Guidelines with wire nuts (C1) or terminal box (C2).
7. Fix the ceiling box (F2) to the ceiling plate (F1) by fasten the screw cap (F3).
8. Fasten lightbulbs(E) to the lampholders .
9. Loosen bolts (F9), then detach lens ring (F8) from body (F).
10. Insert glass rod (D) into the body (F).
11. Attach lens ring (F8) to body (F) with bolts (F9) .
12. Restore power to the junction box and test the ceiling fixture.
13. When you want to replace the lightbulb, pls loosen the bolts (F6), move out the frame (F7), then replace the lightbulb, then fix the frame (F7) to the body with bolts (F6) after replacing the lightbulb.



### CARE INSTRUCTIONS:

1. Make sure that the power is turned off and bulb has cooled before handling.
2. Wipe clean with a dry cloth / mild soapy solution. Do not use corrosive cleaners.
3. The cable/cord of this ceiling light cannot be replaced: If the cable is damaged, do not use the light.

### ENVIRONMENT:

Special waste handling may be required. Please contact your local authorities for more information.