



TIMOTHY OULTON ASSEMBLY INSTRUCTION

NIGHT ROD TINY PENDANT 24CM

PARTS ENCLOSED

ITEMS	DIAGRAM	DESCRIPTION	QTY.
(A)		Junction Box (Not included) 50LB. MIN.FIXTURE RATED	1
(B)		Mounting Screws (Not included)	2 Sets
(C1)		Ceiling Mounting Plate	1
(C2)		Canopy	1
(C3)		Screw Nut	2
(D1)		Quick link	1
(D2)		Chain	1
(D3)		Quick link	1
(E1)		Wire Nut	3
(E2)		Terminal Box	1
(F)		Glass Drop+Spare (37.9CM)	12+1
(G)		Bulb+Spare (E14 for EU/E12 for US)	4+1
(H)		Body	1

IMPORTANT SAFETY INSTRUCTIONS:

1. Use an authorized and certified electrician for consultation and installation.
2. This fixture has been rated for 4 x 25-watt maximum standard bulb.
3. To avoid the risk of fire, do not exceed the recommended wattage.
4. The ceiling must have at least the capacity of 5 times the weight of the ceiling light. For this light at least a ceiling capacity of 50kg (110lbs) is required.
5. The manufacturer and distributor accepts no liability for incorrect installation.
6. For indoor use only.
7. Keep away from children.

Warnings:

1. Turn-off electricity supply at main circuit panel before installing. Do not connect electricity supply until your floor lamp is fully assembled and installed.
2. All wires are connected. Do not remove the floor lamp from its packaging by pulling on the power cord, as a bad connection may result.
3. To reduce the risk of fire, electrical shock, or personal injury, always turn off the floor lamp and allow it to cool prior to replacing light bulb. Do not touch bulb when fixture is turned on or look directly at light bulb. Keep flammable materials away from light bulb.
4. Deviation from instructions may result in a risk of fire or electric shock.

PRODUCT DESCRIPTION:

General material: Glass & Iron

Height: 49.5 cm (15.9in)

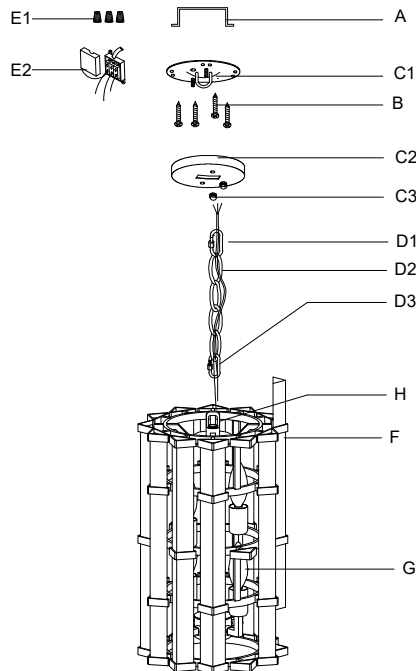
Diameter: 24.1 cm (9.4in)

Weight: 10 kg (22.02lb)

Grounded / Hardwired

TO ASSEMBLE:

1. Carefully remove all parts from the box and remove all plastic covering.
2. Turn OFF power to the junction box where the ceiling light will be installed.
3. Unlock the quick link (D3) at the opposite end of the chain (D2) to attach the body (H).
4. Loosen the screw nut (C3) and remove the canopy (C2) from the ceiling mounting plate (C1).
5. Attach the ceiling mounting plate (C1) to the ceiling with mounting screws (B).
6. Insert quick link (D1) into canopy (C2). Unlock the quick link (D1) to attach ceiling mounting plate (C1).
7. Connect wires from the fixture to the ceiling wires referring to **Wire & Safety Guidelines** with wire nuts (E1) or terminal box (E2).
8. Move the canopy (C2) up to the ceiling, then fasten the screw nut (C3).
9. Fasten lightbulbs (G) to the lampholders.
10. Insert the glass drops (F) into frame of body (H) from top to bottom per left drawing showed.
11. Restore power to the junction box and test ceiling light fixture.



CARE INSTRUCTIONS:

1. Make sure that the power is turned off and bulb has cooled before handling.
2. Wipe clean with a dry cloth / mild soapy solution. Do not use corrosive cleaners.
3. The cable/cord of this floor lamp cannot be replaced: If the cable is damaged, do not use the lamp.

ENVIRONMENT:

Special waste handling may be required. Please contact your local authorities for more information.

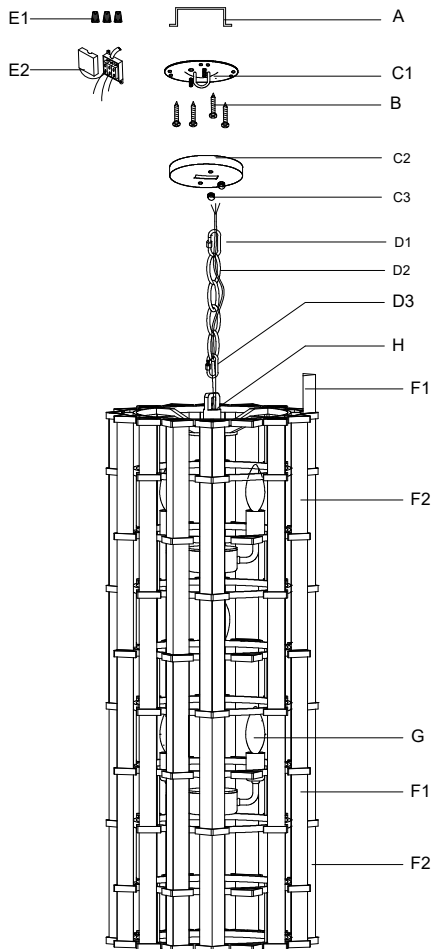


TIMOTHY OULTON

ASSEMBLY INSTRUCTION NIGHT ROD SMALL PENDANT 30CM

PARTS ENCLOSED

ITEMS	DIAGRAM	DESCRIPTION	QTY.
(A)		Junction Box(Not included)	1
(B)		50LB. MIN.FIXTURE RATED Mounting Screws (Not included)	2 Sets
(C1)		Ceiling Mounting Plate	1
(C2)		Canopy	1
(C3)		Screw Nut	1
(D1)		Quick link	1
(D2)		Chain	1
(D3)		Quick link	1
(E1)		Wire Nut	3
(E2)		Terminal Box	1
(F1)		Glass Drop+Spare (47.1CM)	16+1
(F2)		Glass Drop+Spare (37.9CM)	16+1
(G)		Bulb+Spare (E14 for EU/E12 for US)	8+3
(H)		Body	1



IMPORTANT SAFETY INSTRUCTIONS:

1. Use an authorized and certified electrician for consultation and installation. Electrician must be familiar with commercial-type applications of very heavy chandeliers.
2. The screws need to be screwed into a solid support structure inside the ceiling, which would require professional.
3. This fixture has been rated for 8 x 25-watt maximum standard bulb.
4. To avoid the risk of fire, do not exceed the recommended wattage.
5. The ceiling must have at least the capacity of 5 times the weight of the ceiling light. For this light at least a ceiling capacity of 137.5kg (303.19lbs) is required.
6. The manufacturer and distributor accepts no liability for incorrect installation.
7. For indoor use only.
8. Keep away from children.

Warnings:

1. Turn-off electricity supply at main circuit panel before installing. Do not connect electricity supply until your ceiling light is fully assembled and installed.
2. All wires are connected. Do not remove the ceiling light from its packaging by pulling on the power cord, as a bad connection may result.
3. To reduce the risk of fire, electrical shock, or personal injury, always turn off the ceiling light and allow it to cool prior to replacing light bulb. Do not touch bulb when fixture is turned on or look directly at light bulb. Keep flammable materials away from light bulb.
4. Deviation from instructions may result in a risk of fire or electric shock.

PRODUCT DESCRIPTION:

General material: Glass & Iron

Height: 89.0 cm (35.04in)

Diameter: 30.0 cm (11.81in)

Weight: 27.5 kg (60.64lbs)

Grounded / Hardwired

TO ASSEMBLE:

1. Carefully remove all parts from the box and remove all plastic covering.
2. Turn OFF power to the junction box where the ceiling light will be installed.
3. Unlock the quick link (D3) at the opposite end of the chain (D2) to attach the body (H).
4. Loosen the screw nut (C3) and remove the canopy (C2) from the ceiling mounting plate (C1).
5. Attach the ceiling mounting plate (C1) to the ceiling with mounting screws (B).
6. Insert quick link (D1) into canopy (C2). Unlock the quick link (D1) to attach ceiling mounting plate (C1).
7. Connect wires from the fixture to the ceiling wires referring to **Wire & Safety Guidelines** with wire nuts (E1) or terminal box (E2).
8. Move the canopy (C2) up to the ceiling, then fasten the screw nut (C3).
9. Fasten lightbulbs (G) to the lampholders.
10. Insert the glass drops (F1/F2) into frame of body (H) from top to bottom per left drawing showed.
11. Restore power to the junction box and test ceiling light fixture.

CARE INSTRUCTIONS:

1. Make sure that the power is turned off and bulb has cooled before handling.
2. Wipe clean with a dry cloth / mild soapy solution. Do not use corrosive cleaners.
3. The cable/cord of this ceiling light cannot be replaced: If the cable is damaged, do not use the light.

ENVIRONMENT:

Special waste handling may be required. Please contact your local authorities for more information.



TIMOTHY OULTON

ASSEMBLY INSTRUCTION

NIGHT ROD MEDINIM PENDANT 44CM

PARTS ENCLOSED

ITEMS	DIAGRAM	DESCRIPTION	QTY.
(A)		Junction Box (Not included)	1
(B)		50LB. MIN. FIXTURE RATED Mounting Screws (Not included)	2 Sets
(C1)		Ceiling Mounting Plate	1
(C2)		Canopy	1
(C3)		Screw Nut	2
(D1)		Quick link	1
(D2)		Chain	
(D3)		Quick link	
(E1)		Wire Nut	3
(E2)		Terminal Box	1
(F)		Glass Drop+Spare (28.7CM)	24+1
(G)		Bulb+Spare (E14 for EU/E12 for US)	4+1
(H)		Body	1

IMPORTANT SAFETY INSTRUCTIONS:

1. Use an authorized and certified electrician for consultation and installation. Electrician must be familiar with commercial-type applications of very heavy chandeliers.
2. The screws need to be screwed into a solid support structure inside the ceiling, which would require professional.
3. This fixture has been rated for 4 x 25-watt maximum standard bulb.
4. To avoid the risk of fire, do not exceed the recommended wattage.
5. The ceiling must have at least the capacity of 5 times the weight of the ceiling light. For this light at least a ceiling capacity of 72.5kg (159.86lbs) is required.
6. The manufacturer and distributor accepts no liability for incorrect installation.
7. For indoor use only.
8. Keep away from children.

Warnings:

1. Turn-off electricity supply at main circuit panel before installing. Do not connect electricity supply until your floor lamp is fully assembled and installed.
2. All wires are connected. Do not remove the floor lamp from its packaging by pulling on the power cord, as a bad connection may result.
3. To reduce the risk of fire, electrical shock, or personal injury, always turn off the floor lamp and allow it to cool prior to replacing light bulb. Do not touch bulb when fixture is turned on or look directly at light bulb. Keep flammable materials away from light bulb.
4. Deviation from instructions may result in a risk of fire or electric shock.

PRODUCT DESCRIPTION:

General material: Glass & Iron

Height: 31.3 cm (12.32in)

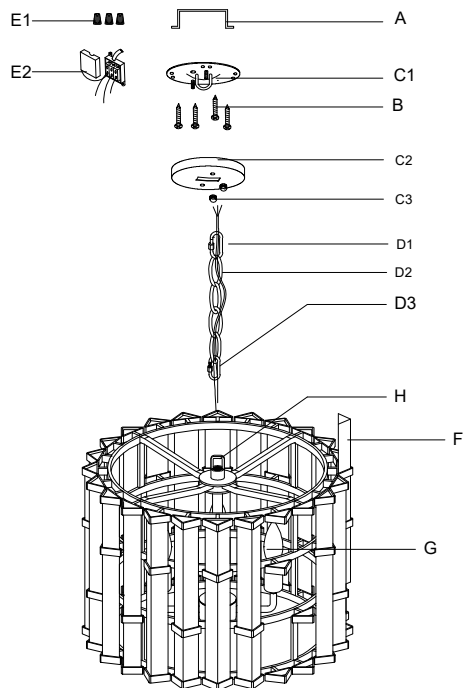
Diameter: 43.6 cm (17.161in)

Weight: 14.5 kg (31.9lb)

Grounded / Hardwired

TO ASSEMBLE:

1. Carefully remove all parts from the box and remove all plastic covering.
2. Turn OFF power to the junction box where the ceiling light will be installed.
3. Unlock the quick link (D3) at the opposite end of the chain (D2) to attach the body (H).
4. Loosen the screw nut (C3) and remove the canopy (C2) from the ceiling mounting plate (C1).
5. Attach the ceiling mounting plate (C1) to the ceiling with mounting screws (B).
6. Insert quick link (D1) into canopy (C2). Unlock the quick link (D1) to attach ceiling mounting plate (C1).
7. Connect wires from the fixture to the ceiling wires referring to **Wire & Safety Guidelines** with wire nuts (E1) or terminal box (E2).
8. Move the canopy (C2) up to the ceiling, then fasten the screw nut (C3).
9. Fasten lightbulbs (G) to the lampholders.
10. Insert the glass drops (F) into frame of body (H) from top to bottom per left drawing showed.
11. Restore power to the junction box and test ceiling light fixture.



CARE INSTRUCTIONS:

1. Make sure that the power is turned off and bulb has cooled before handling.
2. Wipe clean with a dry cloth / mild soapy solution. Do not use corrosive cleaners.
3. The cable/cord of this floor lamp cannot be replaced: If the cable is damaged, do not use the lamp.

ENVIRONMENT:

Special waste handling may be required. Please contact your local authorities for more information.



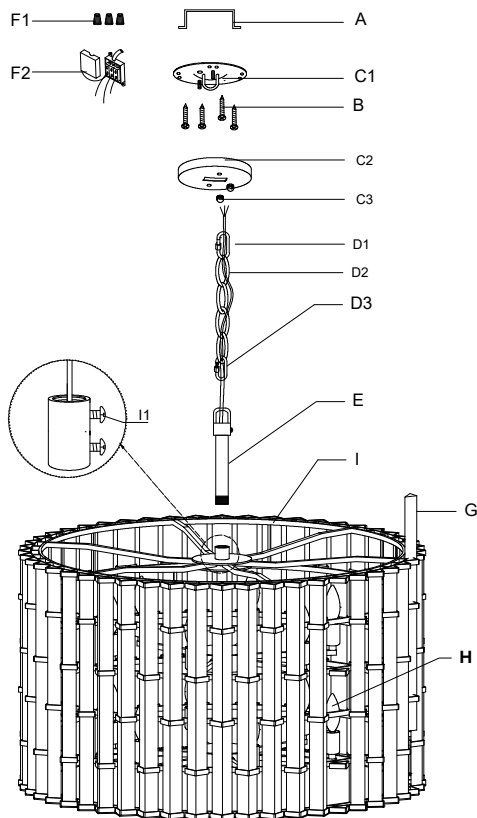
TIMOTHY OULTON

ASSEMBLY INSTRUCTION

NIGHT ROD LARGE PENDANT 82CM

PARTS ENCLOSED

ITEMS	DIAGRAM	DESCRIPTION	QTY.
(A)		Junction Box (Not included)	1
(B)		50LB. MIN. FIXTURE RATED Mounting Screws (Not included)	2 Sets
(C1)		Ceiling Mounting Plate	1
(C2)		Canopy	1
(C3)		Screw Nut	1
(D1)		Quick link	1
(D2)		Chain	1
(D3)		Quick link	1
(E)		Collar	1
(F1)		Wire Nut	3
(F2)		Terminal Box	1
(G)		Glass Drop+Spare	48+2
(H)		Bulb+Spare (E14 for EU/E12 for US)	12+4
(I)		Body	1



IMPORTANT SAFETY INSTRUCTIONS:

1. Use an authorized and certified electrician for consultation and installation. Electrician must be familiar with commercial-type applications of very heavy chandeliers.
2. The screws need to be screwed into a solid support structure inside the ceiling, which would require professional.
3. This fixture has been rated for 12 x 25-watt maximum standard bulb.
4. To avoid the risk of fire, do not exceed the recommended wattage.
5. The ceiling must have at least the capacity of 5 times the weight of the ceiling light. For this light at least a ceiling capacity of 219.05kg (483lbs) is required.
6. The manufacturer and distributor accepts no liability for incorrect installation.
7. For indoor use only.
8. Keep away from children.

Warnings:

1. Turn-off electricity supply at main circuit panel before installing. Do not connect electricity supply until your ceiling light is fully assembled and installed.
2. All wires are connected. Do not remove the ceiling light from its packaging by pulling on the power cord, as a bad connection may result.
3. To reduce the risk of fire, electrical shock, or personal injury, always turn off the ceiling light and allow it to cool prior to replacing light bulb. Do not touch bulb when fixture is turned on or look directly at light bulb. Keep flammable materials away from light bulb.
4. Deviation from instructions may result in a risk of fire or electric shock.

PRODUCT DESCRIPTION:

General material: Glass & Iron

Height: 89.0 cm (35.04in)

Diameter: 82.0 cm (32.28in)

Weight: 43.81 kg (96.6lbs)

Grounded / Hardwired

TO ASSEMBLE:

1. Carefully remove all parts from the box and remove all plastic covering.
2. Turn OFF power to the junction box where the ceiling light will be installed.
3. Fasten collar (E) to chandelier body (I). **Tighten the bolt (11) on body (I).**
4. Unlock the quick link (D3) at the opposite end of the chain (D2) to attach the collar (E).
5. Unlock the quick link (D3) at the opposite end of the chain (D2) to attach the body (I).
6. Loosen the screw nut (C3) and remove the canopy (C2) from the ceiling mounting plate (C1).
7. Attach the ceiling mounting plate (C1) to the ceiling with mounting screws (B).
8. Insert quick link (D1) into canopy (C2). Unlock the quick link (D1) to attach ceiling mounting plate (C1).
9. Connect wires from the fixture to the ceiling wires referring to **Wire & Safety Guidelines** with wire nuts (F1) or terminal box (F2).
10. Move the canopy (C2) up to the ceiling, then fasten the screw nut (C3).
11. Fasten lightbulbs (H) to the lampholders.
12. Insert the glass drops (G) into frame of body (I) from top to bottom per left drawing showed.
13. Restore power to the junction box and test ceiling light fixture.

CARE INSTRUCTIONS:

1. Make sure that the power is turned off and bulb has cooled before handling.
2. Wipe clean with a dry cloth / mild soapy solution. Do not use corrosive cleaners.
3. The cable/cord of this ceiling light cannot be replaced: If the cable is damaged, do not use the light.

ENVIRONMENT:

Special waste handling may be required. Please contact your local authorities for more information.