



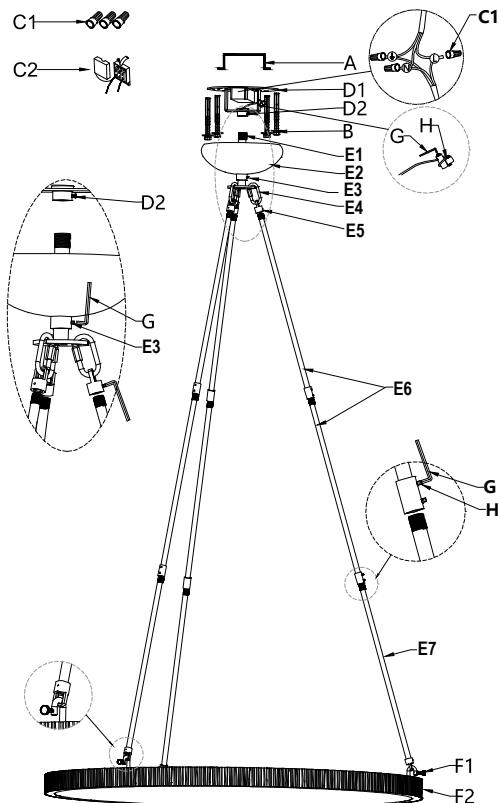
TIMOTHY OULTON

ASSEMBLY INSTRUCTION

RODA SMALL PENDANT 81CM

PARTS ENCLOSED

ITEMS	DIAGRAM	DESCRIPTION	QTY.
(A)		Junction Box (Not included) 50lb. MIN. FIXTURE RATED	1
(B)		Mounting Hardware (Not included)	4
(C1)		Wire Nuts	5
(C2)		Terminal Box	1
(D1)		Ceiling Plate	1
(D2)		Set Bolt	1
(E1)		Hang Straight	1
(E2)		Ceiling Box	1
(E3)		Set Bolt	1
(E4)		Quick Links	3
(E5)		Collars	3
(E6)		Extension Rods A	6
(E7)		Extension Rods B	3
(F1)		Bolts +Spare	3+1
(F2)	Body	1	
(G)		Allen Key	1
(H)		Set Bolts +Spares	30+5
(I)		Steel Cable Locks	3 Sets



IMPORTANT SAFETY INSTRUCTIONS:

1. Use an authorized and certified electrician for consultation and installation.
2. This fixture has been rated for:
 - EU/UK/AUS---28-watt maximum LED module.
 - US ---28-watt maximum LED module.
3. To avoid the risk of fire, do not exceed the recommended wattage.
4. The ceiling must have at least the capacity of 5 times the weight of the lighting fixture. For this light at least a ceiling capacity of 180kg is required.
5. The manufacturer and distributor accepts no liability for incorrect installation.
6. For indoor use only.
7. Keep away from children.

WARNINGS:

1. Turn-off electricity supply at main circuit panel before installing. Do not connect electricity supply until your fixture is fully assembled and installed.
2. All wires are connected. Do not remove the fixture from its packaging by pulling on the power cord, as a bad connection may result.
3. To reduce the risk of fire, electrical shock, or personal injury, always turn off the fixture and allow it to cool prior to replacing light source. Do not touch light source when fixture is turned on or look directly at light source. Keep flammable materials away from light source.
4. Deviation from instructions may result in a risk of fire or electric shock.

PRODUCT DESCRIPTION:

General material: Glass, Iron, Brass & Alabaster
 Height: 8.5cm (3.250in)
 Diameter: 81.3cm (32.0in)
 Weight: 36.0kg (80.0lbs)
 Grounded / Hardwired

ASSEMBLY INSTRUCTIONS:

1. Carefully remove all parts from the box and remove all plastic covering.
2. Turn OFF power to the junction box where the lighting fixture will be installed.
3. Loosen the bolt (D2) and remove the hang straight (E1) from ceiling plate (D1).
4. Attach the ceiling plate (D1) to the ceiling with mounting bolts (B).
5. Insert the hanging straight (E1) through the ceiling box (E2), then attach to the ceiling plate (D1) and secure with set bolt (D2).
6. Connect the collar (E5), extension rods (E6, E7) together, then attach extension rods to the body (F2) and secured with bolts (F1).
7. Move the body (F2) up to the ceiling plate (D1), attach the collars (E5) of the extension rod top to the hang straight (E1) with quick links (E4).
8. Loosen the set bolt (E3) of the ceiling box (E2) and move down the ceiling box (E2), then feed LED light source wire and steel cables through extension rods to come out from ceiling plate (D1).
9. Connect the anode wire (marked with "+") of LED light source to the anode output (marked with "+") of the driver. Connect the cathode wire (marked with "-") of the LED light source to the cathode output (marked with "-") of the driver.
10. Tie stainless steel cables around U-shape bracket of the ceiling plate and secured with steel cable locks (I) by set bolts (H).
11. Carefully inspect the fixture wires. One is the ground wire (marked with ⊕). The second is the neutral wire (marked with N). The third wire is the live/hot wire (marked with L).
12. For US Market: Connect the fixture ground wire (marked with ⊕) to the power supply ground wire, connect the fixture neutral wire (marked with N) to the power supply neutral wire, and connect the fixture live/hot wire (marked with L) to the power supply live/hot wire with wire nuts (C1).
13. For non-US Market: Connect the fixture ground wire (marked with ⊕) to the power supply ground wire, connect the fixture neutral wire (marked with N) to the power supply neutral wire, and connect the fixture live/hot wire (marked with L) to the power supply live/hot wire with terminal box (C2).
14. Move the ceiling box (E2) up to the ceiling plate (C1) and secure with the set bolt (E3) of ceiling box.
15. Restore power to the junction box and test lighting fixture.

CARE INSTRUCTIONS:

1. Make sure that the power is turned off and light source has cooled before handling.
2. Wipe clean with a dry cloth. Do not use corrosive cleaners.
3. If the external flexible cable or cord of this luminaire is damaged, it shall be exclusively replaced by the manufacturer or his service agent or a similar qualified person in order to avoid a hazard.
4. The light source contained in this luminaire shall only be replaced by the manufacturer or his service agent or a similar qualified person.

WEEE STATEMENT:



Disposal of waste equipment by users.

This symbol means do not dispose of your product with your other household waste. Instead, you should protect human health and the environment by handing over your waste equipment to a designated collection point for the recycling of waste electrical and electronic equipment. For more information, please contact your household waste disposal service.





TIMOTHY OULTON

ASSEMBLY INSTRUCTION

RODA SMALL PENDANT 81CM

INSTRUCTION OF LED LIGHT SOURCE AND DRIVER REPLACEMENT:

1. The light sources are not user replaceable. Please contact the manufacturer or his service agent.
2. Turn OFF power to junction box.
3. Uninstall the lighting fixture from the ceiling.
4. Loosen the bolts (F1) from fixture body (F2), then remove the extension rods from the fixture body (F2).
5. Loosen the bolts (F3) from fixture body (F2), then remove the round plate (F4) from the fixture body (F2).
6. Loosen the nuts (F5) and remove rubber washers (F6) and bolts (F8), replace the new light source (F7), then connect to the wiring of the LED driver.
7. Connect the anode wire (marked with "+") of LED light source to the anode output (marked with "+") of the driver. Connect the cathode wire (marked with "-") of the LED light source to the cathode output (marked with "-") of the driver.
8. Fix the light source (F7) back to fixture body (F2) and secure with bolts (F8), rubbers (F6) and nuts (F5).
9. Fix the round plate (F4) back to fixture body (F2) and secure with bolts (F3).
10. Fix the fixture body (F2) back to the ceiling plate as point 7 to point 15 in "ASSEMBLY AND INSTALLTION" section.

HEIGHT ADJUSTMENT INSTRUCTIONS:

- a. Fasten the collar (E5) to the extension rod (E7) and secure with set bolts (H). Feed the wire and stainless steel cables through assembled extension rod, then attach the assembled extension rods to the fixture body (F2) and secure with the bolts (F1).
- b. Fasten the collar (E5) to the extension rods (E6, E7) and secure with set bolts (H). Feed the wire and stainless steel cables through extension rods, then attach extension rods to the fixture body (F2) and secure with the bolts (F1).

