



TIMOTHY OULTON

ASSEMBLY INSTRUCTION

SELENITE LAYER RECT MEDIUM PENDANT 137CM

PARTS ENCLOSED

ITEMS	DIAGRAM	DESCRIPTION	QTY.
(A)		Junction Box (Not included) 50LB. MIN.FIXTURE RATED	1
(B)		Mounting Bolts (Not included)	8
(C)		Ceiling Plate	1
(C1)		Locking Pins	4
(D)		Ceiling Box	1
(D1)		Nuts	2
(D2)		Nut Caps	2
(E)		Steel Cables	2
(F)		Body	1
(E1)		Wire Nuts	3
(E2)		Terminal Box	1
(F1)		Selenite A+Spare	86+3
(F2-4a)		Selenite B	48
(F2-4b)		Selenite C	16
(F2-2)		Selenite Spare Parts	4
(G)		Bulbs	16

IMPORTANT SAFETY INSTRUCTIONS:

- Use an authorized and certified electrician for consultation and installation. Electrician must be familiar with commercial-type applications of very heavy chandeliers.
- This fixture has been rated for:
 - EU / UK / AUS --- 16x6-watt maximum E14 LED bulbs.
 - US --- 16x6-watt maximum E12 LED bulbs.

- To avoid the risk of fire, do not exceed the recommended wattage.
- The ceiling must have at least the capacity of 5 times the weight of the lighting fixture. For this light at least a ceiling capacity of 377.5kg (830.5lbs) is required.
- The manufacturer and distributor accepts no liability for incorrect installation.
- For indoor use only.
- Keep away from children.

WARNINGS:

- Turn-off electricity supply at main circuit panel before installing. Do not connect electricity supply until your lighting fixture is fully assembled and installed.
- All wires are connected. Do not remove the lighting fixture from its packaging by pulling on the power cord, as a bad connection may result.
- To reduce the risk of fire, electrical shock, or personal injury, always turn off the lighting fixture and allow it to cool prior to replacing light bulbs. Do not touch bulbs when fixture is turned on or look directly at light bulbs. Keep flammable materials away from light bulbs.
- Deviation from instructions may result in a risk of fire or electric shock.

PRODUCT DESCRIPTION:

General material: Selenite & Iron
 Height: 41.5cm (16.34in)
 Width: 29.0cm (11.42in)
 Length: 137.0cm (53.94in)
 Weight: 75.5 kg (166.1lb)
 Grounded / Hardwired

ASSEMBLY INSTRUCTIONS:

- Carefully remove all parts from the box and remove all plastic covering.
- Turn OFF power to the junction box where the lighting fixture will be installed.
- Loosen the nut (D1) and nut caps (D2) from ceiling box (D) and remove ceiling plate (C) from ceiling box (D).
- Attach the ceiling plate (C) to the ceiling with mounting bolts (B).
- Carefully inspect the fixture wires. One is the ground wire (marked with ⊕).The second is the neutral wire (marked with N). The third wire is the live/hot wire (marked with L)
- For US Market: Connect the fixture ground wire (marked with ⊕) to the power supply ground wire, connect the fixture neutral wire (marked with N) to the power supply neutral wire, and connect the fixture live/hot wire (marked with L) to the power supply live/hot wire with wire nuts (E1).
- For non-US Market: Connect the fixture ground wire (marked with ⊕) to the power supply ground wire, connect the fixture neutral wire (marked with N) to the power supply neutral wire, and connect the fixture live/hot wire (marked with L) to the power supply live/hot wire with terminal box (E2).
- The length of the steel cable (E) is adjustable. To determine the proper height of the fixture, hold the fixture body (F) up against the ceiling box (D) to adjust the steel cable (E).
- Depress locking pin on the ceiling plate (C), hold pin in place and pull down or push up on the steel cable (E). Repeat step for each steel cable.
- Fasten light bulbs (G) to the lampholders.
- Hang the selenite A (F1) to bottom layer. To ensure safety of lighting fixture during selenite installation, please maintain level of lighting fixture by ensuring install selenite in a balanced way on opposite side of lighting fixture.
- Hang the selenite B (F2-4a) & selenite C (F2-4b) to the outer layer. The selenite B & C is a unit include 4 pieces single selenite, the spare of the selenite C is a unit include 2 pieces single selenite.
 Note : Please kindly note the quantity of the selenite is sufficient, it is reasonable that maybe one or more pieces selenite left after installation caused by loosened installation, the spare of the selenite C are also available for more close installation when needed.
- Restore power to the junction box and test lighting fixture.

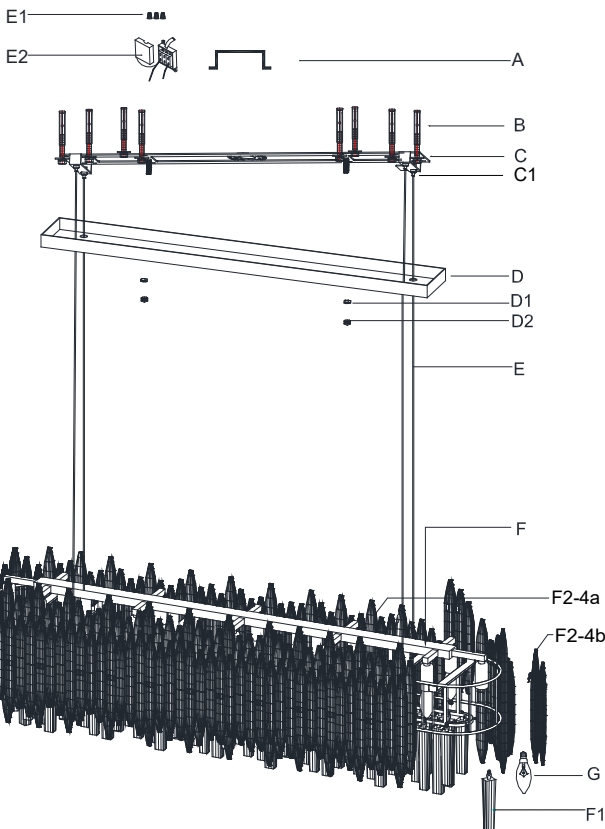
CARE INSTRUCTIONS:

- Make sure that the power is turned off and bulb has cooled before handling.
- Wipe clean with a dry cloth / mild soapy solution. Do not use corrosive cleaners.
- If the external flexible cable or cord of this luminaire is damaged, it shall be exclusively replaced by the manufacturer or his service agent or a similar qualified person in order to avoid a hazard.

WEEE STATEMENT:



Disposal of waste equipment by users.
 This symbol means do not dispose of your product with your other household waste. Instead, you should protect human health and the environment by handing over your waste equipment to a designated collection point for the recycling of waste electrical and electronic equipment. For more information, please contact your household waste disposal service.





TIMOTHY OULTON

ASSEMBLY INSTRUCTION

SELENITE LAYER RECT LARGE PENDANT 183CM

PARTS ENCLOSED

ITEMS	DIAGRAM	DESCRIPTION	QTY.
(A)		Junction Box (Not included) 50LB. MIN.FIXTURE RATED	1
(B)		Mounting Bolts (Not included)	8
(C)		Ceiling Plate Locking Pins	1
(C1)		Ceiling Box	4
(D)		Nuts	1
(D1)		Nut Caps	2
(D2)		Steel Cables	2
(E)		Body	2
(F)		Wire Nuts	1
(E1)		Terminal Box	3
(E2)		Terminal Box	1
(F1)		Selenite A+Spare	120+4
(F2-4a)		Selenite B	68
(F2-4b)		Selenite C	16
(F2-2)		Selenite Spare Parts	4
(G)		Bulbs	22

IMPORTANT SAFETY INSTRUCTIONS:

- Use an authorized and certified electrician for consultation and installation. Electrician must be familiar with commercial-type applications of very heavy chandeliers.
- This fixture has been rated for:
 - EU / UK / AUS --- 22x6-watt maximum E14 LED bulbs.
 - US --- 22x6-watt maximum E12 LED bulbs.

- To avoid the risk of fire, do not exceed the recommended wattage.
- The ceiling must have at least the capacity of 5 times the weight of the lighting fixture. For this light at least a ceiling capacity of 505kg (1111lbs) is required.
- The manufacturer and distributor accepts no liability for incorrect installation.
- For indoor use only.
- Keep away from children.

WARNINGS:

- Turn-off electricity supply at main circuit panel before installing. Do not connect electricity supply until your lighting fixture is fully assembled and installed.
- All wires are connected. Do not remove the lighting fixture from its packaging by pulling on the power cord, as a bad connection may result.
- To reduce the risk of fire, electrical shock, or personal injury, always turn off the lighting fixture and allow it to cool prior to replacing light bulbs. Do not touch bulbs when fixture is turned on or look directly at light bulbs. Keep flammable materials away from light bulbs.
- Deviation from instructions may result in a risk of fire or electric shock.

PRODUCT DESCRIPTION:

General material: Selenite & Iron
 Height: 41.5cm (16.34in)
 Width: 29.0cm (11.42in)
 Length: 183.0cm (72in)
 Weight: 101 kg (222.2lb)
 Grounded / Hardwired

ASSEMBLY INSTRUCTIONS:

- Carefully remove all parts from the box and remove all plastic covering.
- Turn OFF power to the junction box where the lighting fixture will be installed.
- Loosen the nut (D1) and nut caps (D2) from ceiling box (D) and remove ceiling plate (C) from ceiling box (D).
- Attach the ceiling plate (C) to the ceiling with mounting bolts (B).
- Carefully inspect the fixture wires. One is the ground wire (marked with ⊕).The second is the neutral wire (marked with N). The third wire is the live/hot wire (marked with L)
- For US Market: Connect the fixture ground wire (marked with ⊕) to the power supply ground wire, connect the fixture neutral wire (marked with N) to the power supply neutral wire, and connect the fixture live/hot wire (marked with L) to the power supply live/hot wire with wire nuts (E1).
- For non-US Market: Connect the fixture ground wire (marked with ⊕) to the power supply ground wire, connect the fixture neutral wire (marked with N) to the power supply neutral wire, and connect the fixture live/hot wire (marked with L) to the power supply live/hot wire with terminal box (E2).
- The length of the steel cable (E) is adjustable. To determine the proper height of the fixture, hold the fixture body (F) up against the ceiling box (D) to adjust the steel cable (E).
- Depress locking pin on the ceiling plate (C), hold pin in place and pull down or push up on the steel cable (E). Repeat step for each steel cable.
- Fasten light bulbs (G) to the lampholders.
- Hang the selenite A (F1) to bottom layer. To ensure safety of lighting fixture during selenite installation, please maintain level of lighting fixture by ensuring install selenite in a balanced way on opposite side of lighting fixture.
- Hang the selenite B (F2-4a) & selenite C (F2-4b) to the outer layer. The selenite B & C is a unit include 4 pieces single selenite, the spare of the selenite C is a unit include 2 pieces single selenite.
 Note : Please kindly note the quantity of the selenite is sufficient, it is reasonable that maybe one or more pieces selenite left after installation caused by loosened installation, the spare of the selenite C are also available for more close installation when needed.
- Restore power to the junction box and test lighting fixture.

CARE INSTRUCTIONS:

- Make sure that the power is turned off and bulb has cooled before handling.
- Wipe clean with a dry cloth / mild soapy solution. Do not use corrosive cleaners.
- If the external flexible cable or cord of this luminaire is damaged, it shall be exclusively replaced by the manufacturer or his service agent or a similar qualified person in order to avoid a hazard.

WEEE STATEMENT:

Disposal of waste equipment by users.
 This symbol means do not dispose of your product with your other household waste. Instead, you should protect human health and the environment by handing over your waste equipment to a designated collection point for the recycling of waste electrical and electronic equipment. For more information, please contact your household waste disposal service.

