



# TIMOTHY OULTON

## ASSEMBLY INSTRUCTION

### SELENITE LAYER ROUND MEDIUM CHANDELIER 80CM

#### PARTS ENCLOSED

ITEMS	DIAGRAM	DESCRIPTION	QTY.
(A)		Junction Box (Not Included) 50LB. MIN. FIXTURE RATED	1
(B)		Mounting Screws (Not included)	6
(C1)		Wire Nuts	3
(C2)		Terminal Box	1
(D)		Ceiling Plate	1
(E1)		Ceiling box	1
(E2)		Bolts	3
(E3)		Steel cables	3
(E4)		Body	1
(F1)		Selenite A +Spare	37 +3
(F2)		Selenite A +Spare	52 +4
(F3)		Selenite A +Spare	61 +5
(G)		Bulbs	10
(H)		Bolts M4 xL15	3
(I)		Bottom Glass	1
(J)		Allen Key	1

#### IMPORTANT SAFETY INSTRUCTIONS:

1. Use an authorized and certified electrician for consultation and installation. Electrician must be familiar with commercial-type applications of very heavy chandeliers.
2. This fixture has been rated for:
  - EU / UK / AUS ---10 x6-watt maximum E14 LED bulbs.
  - US ---10 x6-watt maximum E12 LED bulbs.
3. To avoid the risk of fire, do not exceed the recommended wattage.
4. The ceiling must have at least the capacity of 5 times the weight of the lighting fixture. For this light at least a ceiling capacity of 550kg (1210lbs) is required.
5. The manufacturer and distributor accepts no liability for incorrect installation.
6. For indoor use only.
7. Keep away from children.

#### WARNINGS:

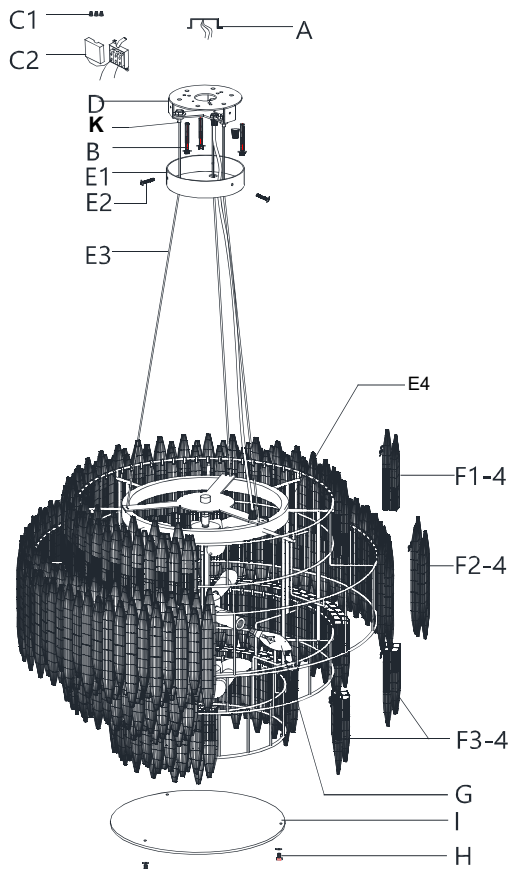
1. Turn-off electricity supply at main circuit panel before installing. Do not connect electricity supply until your lighting fixture is fully assembled and installed.
2. All wires are connected. Do not remove the lighting fixture from its packaging by pulling on the power cord, as a bad connection may result.
3. To reduce the risk of fire, electrical shock, or personal injury, always turn off the lighting fixture and allow it to cool prior to replacing light bulbs. Do not touch bulbs when fixture is turned on or look directly at light bulbs. Keep flammable materials away from light bulbs.
4. Deviation from instructions may result in a risk of fire or electric shock.

#### PRODUCT DESCRIPTION:

General material: Selenite, Glass & Iron  
 Height: 73.0 cm (28.5in)  
 Diameter: 80.0cm (31.5in)  
 Weight: 110.0kg (242 lb)  
 Grounded / Hardwired

#### ASSEMBLY INSTRUCTIONS:

1. Carefully remove all parts from the box and remove all plastic covering.
2. Turn OFF power to the junction box where the lighting fixture will be installed.
3. Loose the bolts (E2) from ceiling box (E1) and loose ceiling plate (D) from ceiling box (E1).
4. Attach ceiling plate (D) to the ceiling with mounting screws (B).
5. Carefully inspect the fixture wires. One is the ground wire (marked with ⊕). The second is the neutral wire (marked with N). The third wire is the live/hot wire (marked with L).
6. For US Market: Connect the fixture ground wire (marked with ⊕) to the power supply ground wire, connect the fixture neutral wire (marked with N) to the power supply neutral wire, and connect the fixture live/hot wire (marked with L) to the power supply live/hot wire with wire nuts (C1).
7. For non-US Market: Connect the fixture ground wire (marked with ⊕) to the power supply ground wire, connect the fixture neutral wire (marked with N) to the power supply neutral wire, and connect the fixture live/hot wire (marked with L) to the power supply live/hot wire with terminal box (C2).
8. Fix the ceiling box (E1) to the ceiling plate (D) by fastening the bolts (E2) with Alley key (J).
9. The length of the steel cable (E3) is adjustable. To determine the proper height of the fixture, hold the fixture body (E4) up against the ceiling box (E2) to adjust the steel cable (E3).
10. Depress locking pins (K) on the ceiling plate (D), hold pin in place and pull down or push up on the steel cable (E3). Repeat step for each steel cable.
11. Fasten light bulbs (G) to lampholders.
12. Fix the bottom glass (I) to the body (E4) and secure with bolts caps (H). Please make sure the frost side toward inside.
13. Hang the selenite C (F3) on the bottom two layers of the body (E4) from inner to outer. Hang the selenite A (F1) on the top layer of body, then hang the selenite B (F2) on the outest layer of body. The selenite A/B/C is a unit including 4 pieces single selenite. The spare of the selenite A/B/C is a unit including 2 pieces single selenite.
14. Restore power to the junction box and test light fixture.



#### CARE INSTRUCTIONS:

1. Make sure that the power is turned off and bulb has cooled before handling.
2. Wipe clean with a dry cloth / mild soapy solution. Do not use corrosive cleaners.
3. If the external flexible cable or cord of this luminaire is damaged, it shall be exclusively replaced by the manufacturer or his service agent or a similar qualified person in order to avoid a hazard.

#### WEEE STATEMENT:



Disposal of waste equipment by users.

This symbol means do not dispose of your product with your other household waste. Instead, you should protect human health and the environment by handing over your waste equipment to a designated collection point for the recycling of waste electrical and electronic equipment. For more information, please contact your household waste disposal service.





# TIMOTHY OULTON

## ASSEMBLY INSTRUCTION

SELENITE LAYER ROUND LARGE CHANDELIER 102CM

### PARTS ENCLOSED

ITEMS	DIAGRAM	DESCRIPTION	QTY.
(A)		<b>Junction Box</b> (Not included) 50LB. MIN.FIXTURE RATED	1
(B)		<b>Mounting Screws</b> (Not included)	9
(C1)		<b>Wire Nuts</b>	3
(C2)		<b>Terminal Box</b>	1
(D)		<b>Ceiling Plate</b>	1
(E1)		<b>Ceiling Box</b>	1
(E2)		<b>Bolts</b>	3
(E3)		<b>Steel cables</b>	3
(E4)		<b>Body</b>	1
(F1)		<b>Selenite A +Spare</b>	49 +4
(F2)		<b>Selenite B +Spare</b>	67 +5
(F3)		<b>Selenite C +Spare</b>	86 +6
(G)		<b>Bulbs</b>	14
(H)		<b>Bolts M4 xL15</b>	4
(I)		<b>Bottom Glass</b>	1
(J)		<b>Allen Key</b>	1

### IMPORTANT SAFETY INSTRUCTIONS:

1. Use an authorized and certified electrician for consultation and installation. Electrician must be familiar with commercial-type applications of very heavy chandeliers.
2. This fixture has been rated for:  
EU / UK / AUS --- 14 x6-watt maximum E14 LED bulbs.  
US --- 14 x6-watt maximum E12 LED bulbs.
3. To avoid the risk of fire, do not exceed the recommended wattage.
4. The ceiling must have at least the capacity of 5 times the weight of the lighting fixture. For this light at least a ceiling capacity of 725kg (1595lbs) is required.
5. The manufacturer and distributor accepts no liability for incorrect installation.
6. For indoor use only.
7. Keep away from children.

### WARNINGS:

1. Turn-off electricity supply at main circuit panel before installing. Do not connect electricity supply until your lighting fixture is fully assembled and installed.
2. All wires are connected. Do not remove the lighting fixture from its packaging by pulling on the power cord, as a bad connection may result.
3. To reduce the risk of fire, electrical shock, or personal injury, always turn off the lighting fixture and allow it to cool prior to replacing light bulbs. Do not touch bulbs when fixture is turned on or look directly at light bulbs. Keep flammable materials away from light bulbs.
4. Deviation from instructions may result in a risk of fire or electric shock.

### PRODUCT DESCRIPTION:

General material: Selenite, Glass & Iron  
 Height: 74.0 cm (29 in)  
 Diameter: 102.0cm (40 in)  
 Weight: 145.0kg (319 lb)  
 Grounded / Hardwired

### ASSEMBLY INSTRUCTIONS:

1. Carefully remove all parts from the box and remove all plastic covering.
2. Turn OFF power to the junction box where the lighting fixture will be installed.
3. Loose the bolts (E2) from ceiling box (E1) and loose ceiling plate (D) from ceiling box (E1).
4. Attach ceiling plate (D) to the ceiling with mounting screws (B).
5. Carefully inspect the fixture wires. One is the ground wire (marked with ⊕). The second is the neutral wire (marked with N). The third wire is the live/hot wire (marked with L).
6. For US Market: Connect the fixture ground wire (marked with ⊕) to the power supply ground wire, connect the fixture neutral wire (marked with N) to the power supply neutral wire, and connect the fixture live/hot wire (marked with L) to the power supply live/hot wire with wire nuts (C1).
7. For non-US Market: Connect the fixture ground wire (marked with ⊕) to the power supply ground wire, connect the fixture neutral wire (marked with N) to the power supply neutral wire, and connect the fixture live/hot wire (marked with L) to the power supply live/hot wire with terminal box (C2).
8. Fix the ceiling box (E1) to the ceiling plate (D) by fastening the bolts (E2) with Alley key (J).
9. The length of the steel cable (E3) is adjustable. To determine the proper height of the fixture, hold the fixture body (E4) up against the ceiling box (E2) to adjust the steel cable (E3).
10. Depress locking pins (K) on the ceiling plate (D), hold pin in place and pull down or push up on the steel cable (E3). Repeat step for each steel cable.
11. Fasten light bulbs (G) to lampholders.
12. Fix the bottom glass (I) to the body (E4) and secure with bolts caps (H). Please make sure the frost side toward inside.
13. Hang the selenite C (F3) on the bottom two layers of the body (E4) from inner to outer. Hang the selenite A (F1) on the top layer of body, then hang the selenite B (F2) on the outest layer of body. The selenite A/B/C is a unit including 4 pieces single selenite. The spare of the selenite A/B/C is a unit including 2 pieces single selenite.
14. Restore power to the junction box and test light fixture.

### CARE INSTRUCTIONS:

1. Make sure that the power is turned off and bulb has cooled before handling.
2. Wipe clean with a dry cloth / mild soapy solution. Do not use corrosive cleaners.
3. If the external flexible cable or cord of this luminaire is damaged, it shall be exclusively replaced by the manufacturer or his service agent or a similar qualified person in order to avoid a hazard.

### WEEE STATEMENT:



Disposal of waste equipment by users.

This symbol means do not dispose of your product with your other household waste. Instead, you should protect human health and the environment by handing over your waste equipment to a designated collection point for the recycling of waste electrical and electronic equipment. For more information, please contact your household waste disposal service.

