



TIMOTHY OULTON

ASSEMBLY INSTRUCTION

ZIG ZAG SM TBL LAMP(30CM)

PARTS ENCLOSED

ITEMS	DIAGRAM	DESCRIPTION	QTY.
(A)		Body	1
(B)		Glass ball	27+1
(C)		Bulb+Spare	3+1
(D)		Wrench	1

IMPORTANT SAFETY INSTRUCTIONS:

1. Use an authorized and certified electrician for consultation and installation.
2. This fixture has been rated for 3 x 25-watt maximum standard bulb.
3. To avoid the risk of fire, do not exceed the recommended wattage.
4. The manufacturer and distributor accepts no liability for incorrect installation.
5. For indoor use only.
6. Keep away from children.

Warnings:

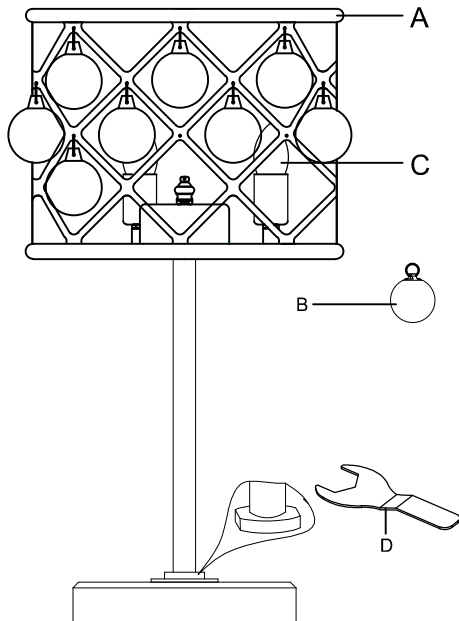
1. Turn-off electricity supply at main circuit panel before installing. Do not connect electricity supply until your table lamp is fully assembled and installed.
2. All wires are connected. Do not remove the table lamp from its packaging by pulling on the power cord, as a bad connection may result.
3. To reduce the risk of fire, electrical shock, or personal injury, always turn off the table lamp and allow it to cool prior to replacing light bulb. Do not touch bulb when fixture is turned on or look directly at light bulb. Keep flammable materials away from light bulb.
4. Deviation from instructions may result in a risk of fire or electric shock.

PRODUCT DESCRIPTION:

General material: Glass & Iron
 Height: 55.0 cm (21.65in)
 Diameter: 32.0 cm (12.60in)
 Weight: 12.5 kg (27.56lb)

TO ASSEMBLE:

1. Carefully remove all parts from the box and remove all plastic covering. If lamp stem tilts or loosens, retighten nut on top of base with wrench (D) as per left.
2. Fasten lightbulbs (C) to the lampholders.
3. Hang the glass balls (B) from top to bottom of the body (A). To ensure safety of table lamp during glass ball installation, please maintain level of the table lamp by ensuring you install glass balls in balanced way on opposite side of light.
4. Insert plug into socket and test table lamp fixture.



CARE INSTRUCTIONS:

1. Make sure that the power is turned off and bulb has cooled before handling.
2. Wipe clean with a dry cloth / mild soapy solution. Do not use corrosive cleaners.
3. The cable/cord of this table lamp cannot be replaced: If the cable is damaged, do not use the lamp.

ENVIRONMENT:

Special waste handling may be required. Please contact your local authorities for more information.



TIMOTHY OULTON

ASSEMBLY INSTRUCTION

ZIG ZAG TBL LAMP(40CM)

PARTS ENCLOSED

ITEMS	DIAGRAM	DESCRIPTION	QTY.
(A)		Body	1
(B)		Glass ball	52+2
(C)		Bulb+Spare	3+1
(D)		Wrench	1

IMPORTANT SAFETY INSTRUCTIONS:

1. Use an authorized and certified electrician for consultation and installation.
2. This fixture has been rated for 3 x 25-watt maximum E12 standard bulb.
3. To avoid the risk of fire, do not exceed the recommended wattage.
4. The manufacturer and distributor accepts no liability for incorrect installation.
5. For indoor use only.
6. Keep away from children.

Warnings:

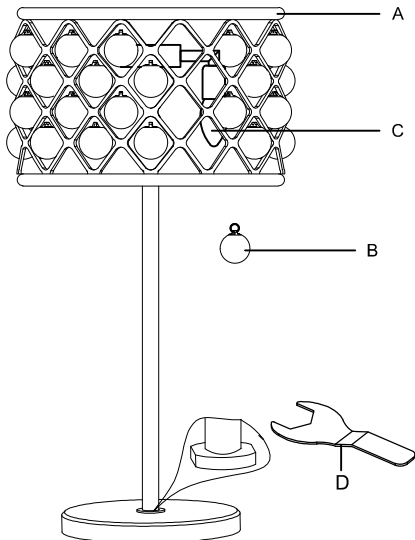
1. Turn-off electricity supply at main circuit panel before installing. Do not connect electricity supply until your table lamp is fully assembled and installed.
2. All wires are connected. Do not remove the table lamp from its packaging by pulling on the power cord, as a bad connection may result.
3. To reduce the risk of fire, electrical shock, or personal injury, always turn off the table lamp and allow it to cool prior to replacing light bulb. Do not touch bulb when fixture is turned on or look directly at light bulb. Keep flammable materials away from light bulb.
4. Deviation from instructions may result in a risk of fire or electric shock.

PRODUCT DESCRIPTION:

General material: Glass & Iron
 Height: 81.0 cm
 Diameter: 40.0 cm
 Weight: 28.3 kg

TO ASSEMBLE:

1. Carefully remove all parts from the box and remove all plastic covering. If lamp stem tilts or loosens, retighten nut on top of base with wrench (D) as per left.
2. Fasten lightbulbs (C) to the lampholders.
3. Hang the glass balls (B) from top to bottom of the body (A).
4. Insert plug into socket and test table lamp fixture.



CARE INSTRUCTIONS:

1. Make sure that the power is turned off and bulb has cooled before handling.
2. Wipe clean with a dry cloth / mild soapy solution. Do not use corrosive cleaners.
3. The cable/cord of this table lamp cannot be replaced: If the cable is damaged, do not use the lamp.

ENVIRONMENT:

Special waste handling may be required. Please contact your local authorities for more information.