



TIMOTHY OULTON ASSEMBLY INSTRUCTION

REX RND D.TBL 158CM

PARTS ENCLOSED

ITEMS	DIAGRAM	DESCRIPTION	QTY.
(A)		Clear glass	1
(B)		Glass mirror	1
(C)		Body A	1
(C1)		Screw	
(C2)		Metal Cover	
(C3)		Glass Drop	
(C4)		Metal Ring	
(C5)	Glass Drop		
(D)		Body B	1
(D1)		Screw Nut	
(D2)		Glass Drop	
(D3)		Bolt	
(D4)	Metal Ring		
(E1)		Spare Glass Drop	2
(E2)		Spare Glass Drop	4
(E3)		Spare Glass Drop	8
(F)		Bulb+ Spare (E14 for EU/E12 for US)	20+7
(G)		Wrench	1
(H)		Allen Screwdriver	1
(I)		Rubber pad +Spare	39+11
(J)		Allen Screw +Spare	5+2
(K1)		Wire Nut	2
(K2)		Terminal Box	1

IMPORTANT SAFETY INSTRUCTIONS:

1. Use an authorized and certified electrician for consultation and installation.
2. This fixture has been rated for 20 x 25-watt maximum standard bulb.
3. To avoid the risk of fire, do not exceed the recommended wattage.
4. The manufacturer and distributor accepts no liability for incorrect installation.
5. For indoor use only.
6. Keep away from children.

Warnings:

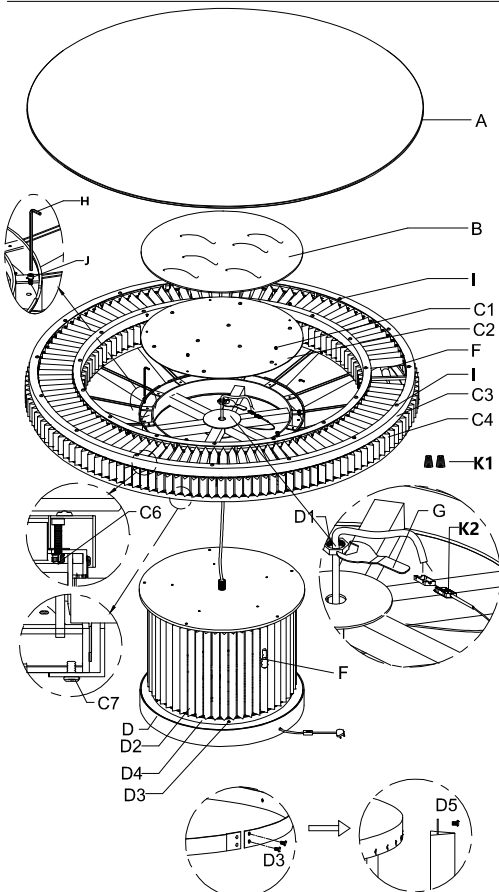
1. Turn-off electricity supply at main circuit panel before installing. Do not connect electricity supply until your floor lamp is fully assembled and installed.
2. All wires are connected. Do not remove the table lamp from its packaging by pulling on the power cord, as a bad connection may result.
3. To reduce the risk of fire, electrical shock, or personal injury, always turn off the floor lamp and allow it to cool prior to replacing light bulb. Do not touch bulb when fixture is turned on or look directly at light bulb. Keep flammable materials away from light bulb.
4. Deviation from instructions may result in a risk of fire or electric shock.

PRODUCT DESCRIPTION:

General material: Glass & Iron
Height: 82.5 cm (32.48in)
Diameter: 158.0cm (62.20in)
Weight: 182.5kg (402.33lb)

TO ASSEMBLE:

1. Carefully remove all parts from the box and remove all plastic covering.
2. Loosen screw nut (D1) from body B (D).
3. Loosen Screw (C1) and remove metal cover(C2) from body A (C).
4. Place body A (C) onto body B (D),then fasten the screw nut (D1) by wrench (G).
5. Connect wires from the body A (C) to the body B (D) referring to **Wire & Safety Guidelines** with wire nuts (K1) or terminal box (K2).
6. Fasten metal cover (C2) to body A (C) by fastening screws (C1).
7. Fasten allen screws (J) by allen screwdriver (H) to fix body A and body B.
8. Put the glass mirror (B) on the metal cover (C2).
9. Fix the rubber pad (I) on the metal ring (C3).
10. Put the clear glass on the top of body A.
11. Fasten lightbulbs (F) to the lampholders of the body A (C) from bottom side.
12. Fasten lightbulb (F) to the lamp holder of the bodyB (D) inside as below:
 - 12.1 Loosen the bolts (D3) on the metal ring (D4) of top and bottom side of body B, then take off metal ring (D4) from the body B. referring to drawing showed as left on the bottom of body B.
 - 12.2 Loosen the bolts (D5) on the both sides of the glass drop,then take off it.
 - 12.3 Fasten the lightbulb (F) to the lamp holder of the bodyB (D) inside.
 - 12.4 the steps of lightbulb replacement same as above.
13. Insert plug into socket and test table lamp fixture.



CARE INSTRUCTIONS:

1. Make sure that the power is turned off and bulb has cooled before handling.
2. Wipe clean with a dry cloth / mild soapy solution. Do not use corrosive cleaners.
3. The cable/cord of this table lamp cannot be replaced: If the cable is damaged, do not use the lamp.

ENVIRONMENT:

Special waste handling may be required. Please contact your local authorities for more information.