



# TIMOTHY OULTON

## ASSEMBLY INSTRUCTIONS

### AXEL MK3 MEDIA UNIT

#### PARTS INCLUDED

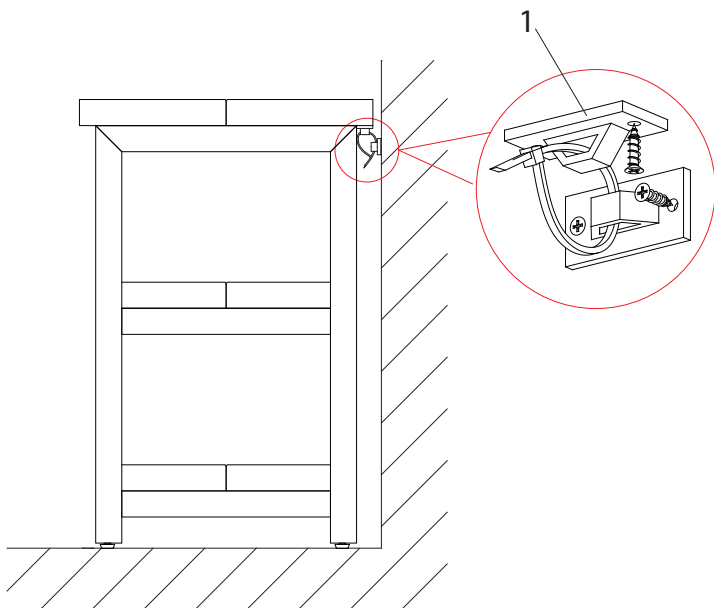
A [1] CABINET

NO.	ITEM	DESCRIPTION	QTY.
1		Anti Tip Bracket	1 Pack.

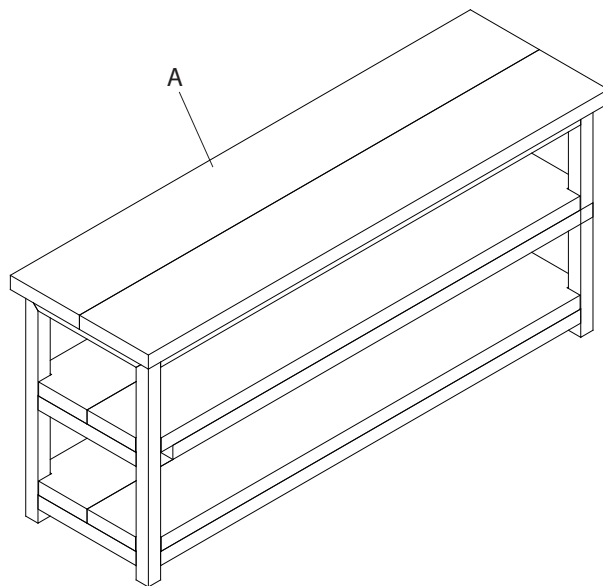
#### ASSEMBLY INSTRUCTIONS

1. Please find the corresponding numbered parts before you install the unit. Attach Anti Tip Brackets (1) firmly to the top of the cabinet (A) following the diagram for positioning with the screws. Position the completed unit and firmly attach Anti Tip Brackets to the wall in line with the brackets on the unit. Thread the strap provided through both brackets as shown and tighten strap until snug. Do not over tighten.
2. Assembly is complete.

Step 1:



Step 2:



#### CARE INSTRUCTIONS

1. Avoid mineral oil, as usage could discolor the wood.

#### IMPORTANT SAFETY INSTRUCTIONS

1. Exercise care and precaution when moving furniture, as careless handling may cause injury and damage.
2. Never drag furniture. Always lift it.
3. Periodically check all fixtures to ensure none have come loose.
4. Retighten when necessary. Incorrect assembly of furniture can be dangerous.
5. Assembly should be carried out by competent personnel.
6. No liability will be accepted for damage or injury caused by incorrectly assembled furniture.
7. Heavy item warning.
8. Take care and seek assistance when lifting heavy furniture to avoid personal injury and/or damage to product.