



BY
TIMOTHY OULTON
&
MICHAEL YEUNG

FLATBED COFF TBL 158X118CM ASSEMBLY INSTRUCTIONS

PARTS ENCLOSED :

- (A) [3] GLASS BEAM
- (B) [2] SIDE LEG
- (C) [2] METAL APRON
- (D) [1] DC ADAPTOR

PRODUCT DESCRIPTION :

General material: stainless steel & glass

Length: 157.8cm (62.12IN)

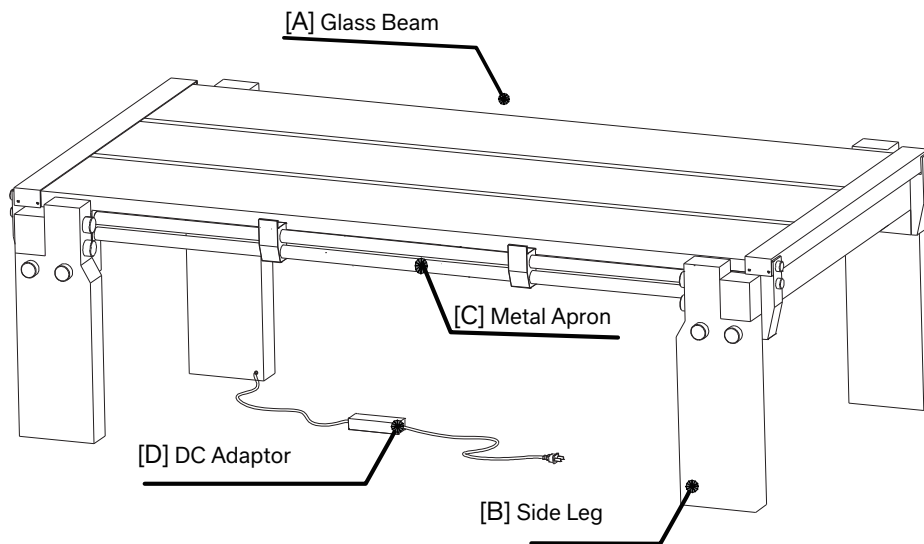
Width: 118.0cm (46.45IN)

Height: 42.cm (16.53IN)

Weight: 68.2 kg (150.35lbs)

HARDWARE ENCLOSED :

NO.	ITEM	DESCRIPTION	QTY.
1		Bolt (M8 x 16mm)	16 Pcs
2		Flat Washer (8 x 22mm)	16 Pcs
3		Spring Washer (8mm)	16 Pcs
4		Allen Key (5 x 15mm)	1 Pc

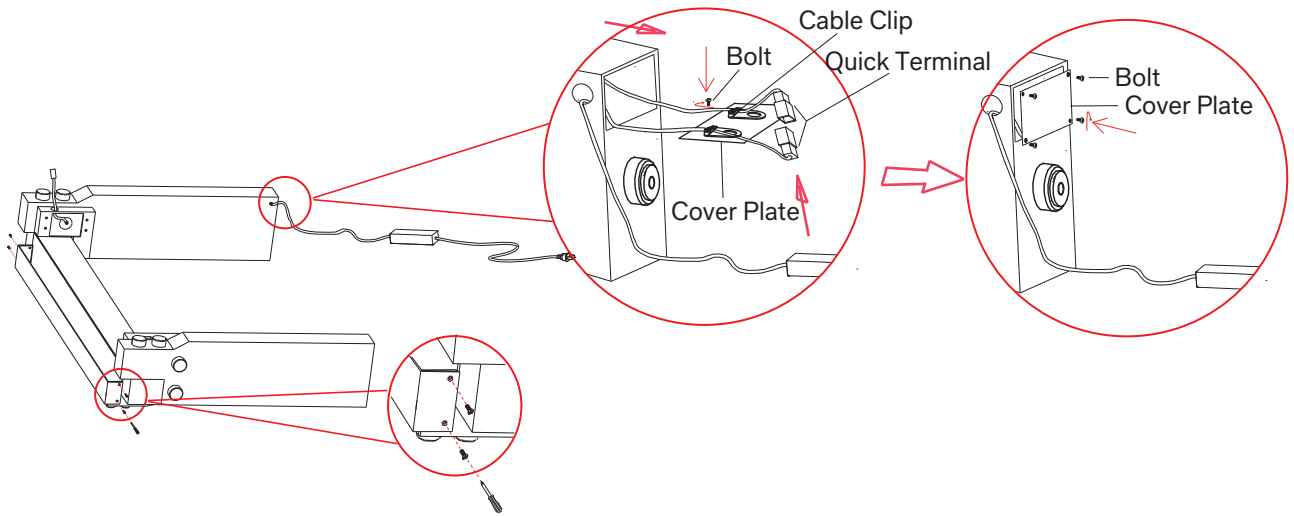




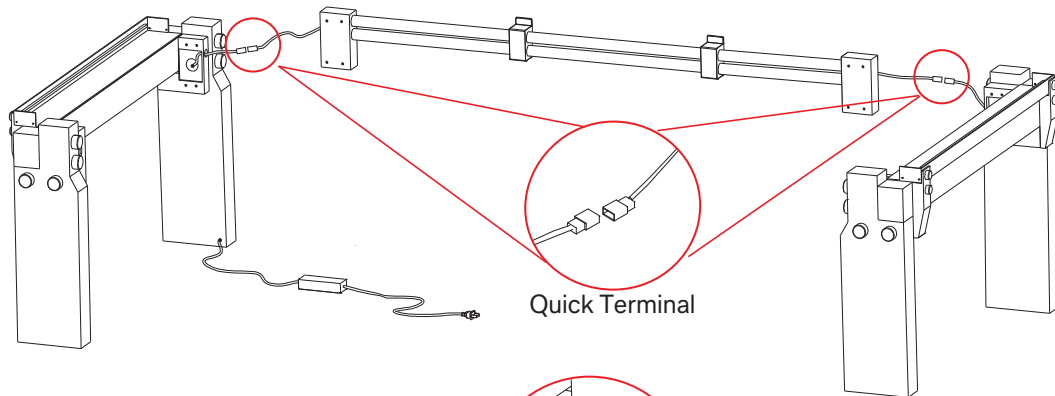
BY
TIMOTHY OULTON
MICHAEL YEUNG

FLATBED COFF TBL 158X118CM ASSEMBLY INSTRUCTIONS

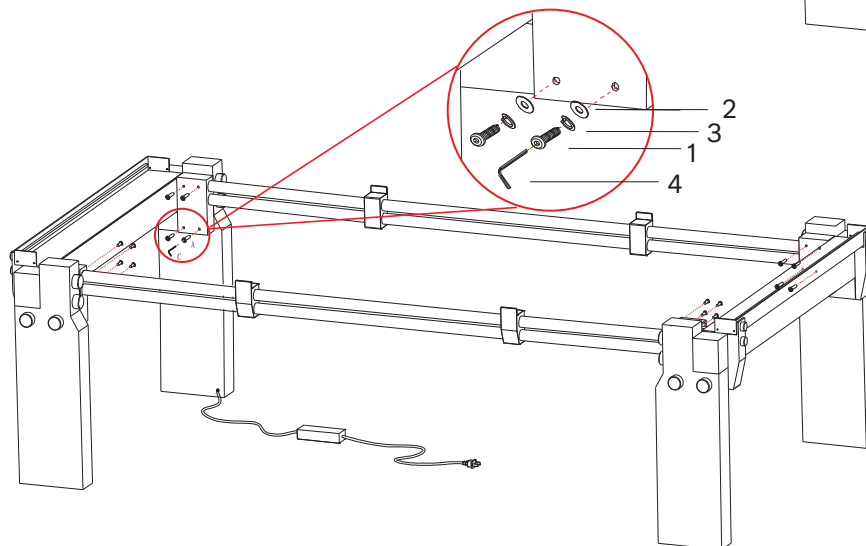
Step 1:



Step 2:



Step 3:

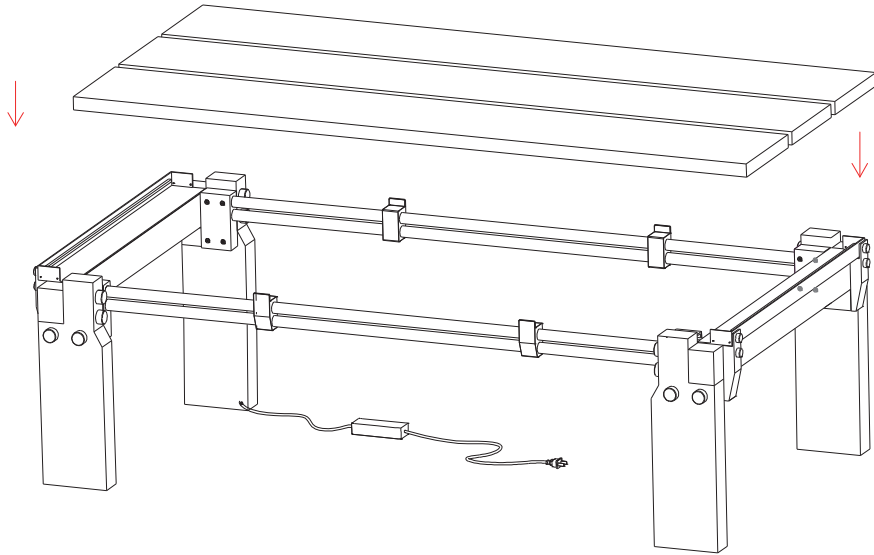




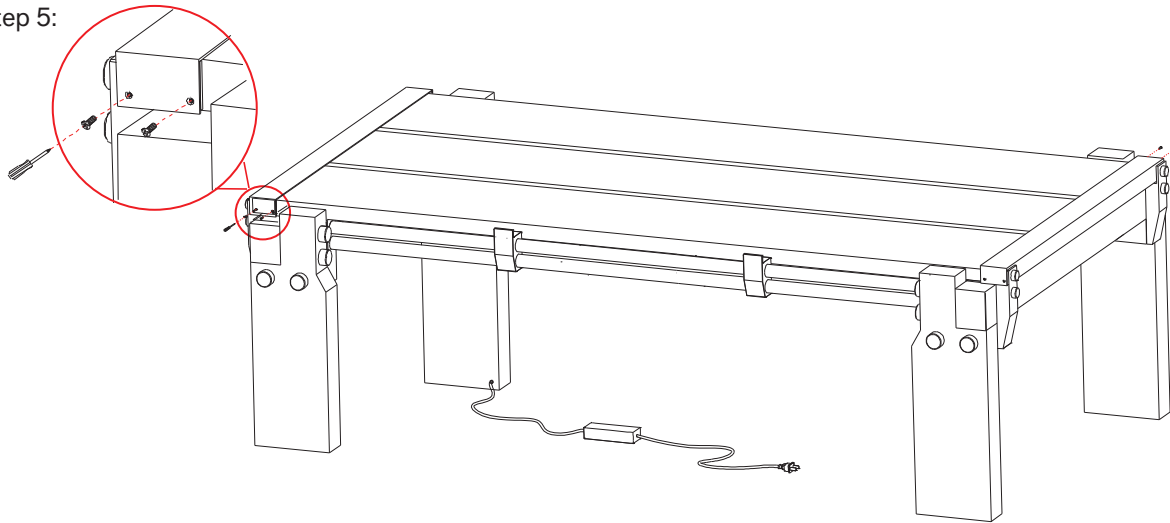
BY
TIMOTHY OULTON
AND
MICHAEL YEUNG

FLATBED COFF TBL 158X118CM ASSEMBLY INSTRUCTIONS

Step 4:

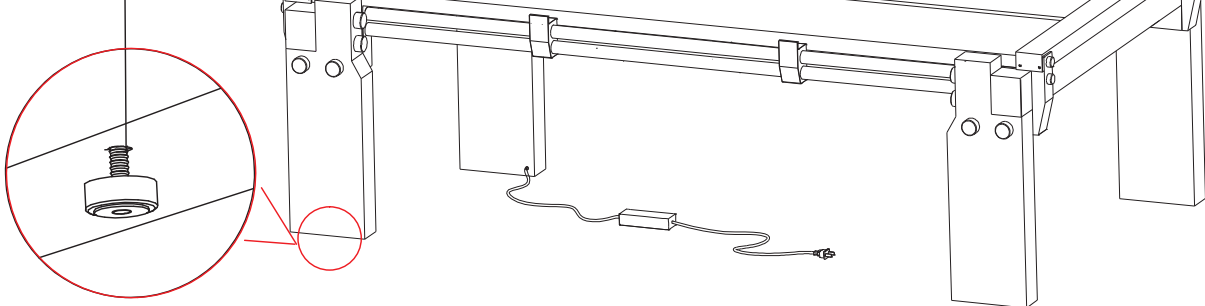


Step 5:



Step 6:

Adjust Levelers





BY
TIMOTHY OULTON
&
MICHAEL YEUNG

FLATBED COFF TBL 158X118CM ASSEMBLY INSTRUCTIONS

IMPORTANT PLEASE READ

SAFETY INSTRUCTIONS :

1. Use an authorized and certified electrician for consultation and installation.
2. This fixture has been rated for LED strip.
3. To avoid the risk of fire, do not exceed the recommended wattage.
4. The manufacturer and distributor accepts no liability for incorrect installation.
5. For indoor use only.
6. Keep away from children.



WARNING :

1. Wipe clean with a dry cloth / mild soapy solution. Do not use corrosive cleaners.
2. The cable/cord of this coffee table cannot be replaced: If the cable is damaged, do not use the lamp.
3. The light source contained in this luminaire shall only be replaced by the manufacturer or its service agent or a similar qualified person .

ENVIRONMENT:

1. Special waste handling may be required. Please contact your local authorities for more information.

ASSEMBLY :

1. Please find the corresponding numbered parts before you assemble the table.
2. Carefully remove all parts from the box and remove all covering.
3. Place the side legs (B) on a flat floor covered with protective material to prevent damage to the table.
4. Remove the cover plate on the bottom of the side leg by unscrew the bolt, then thread the wire through the cord hole and come out of the leg bottom.
5. Secure these two wires to the cover plate with cable clip. Connect the wires with quick terminal and fix the cover plate back to the leg.
6. Connect all the wires with quick terminal and secure using the bolt (1), spring washer (3), flat washer (2) to attach the legs (B) to the aprons (C).
7. Unscrew the small bolt and remove the metal cover from the top of the side leg(B), then place the glass beam (A) on the assembled base and fix the metal cover back to the top of the side leg.
8. Insert the plug and test the light fixture.
9. Adjust levelers as necessary.
10. Assembly is complete.