

bond Bridge

#230404

The Quick Read

- ✓ Bond Bridge (BD-1000) is a Sub GHz to Wifi (TCP/IP) Bridge
- ✓ Easy setup and no wiring
- ✓ Duplicates your RF and IR remote controls
- ✓ Voice control with Amazon Alexa, Google Assistant and SmartThings
- ✓ Control up to 30 devices



The Whole Story

Bond Bridge is a low frequency RF to Wifi Bridge.

It was created for a market that demands to take ceiling fans and motorized shades user experience to the next level.

The setup is quick and easy, and there is no need for workarounds or complicated drivers in order to connect ceiling fans, fireplaces or shades.

The Bond Bridge allow for full coverage and control of RF devices within the entire home.

And we are Open! Our open API allows integrations with all home automation systems.

- The Bond Bridge controls most shade & awning motor brands including: Somfy, Rollease, Dooya, AOK, Bofu, and more.
- Excellent range and compatibility, ideal for residential and commercial use.

Supported Devices



Ceiling fans



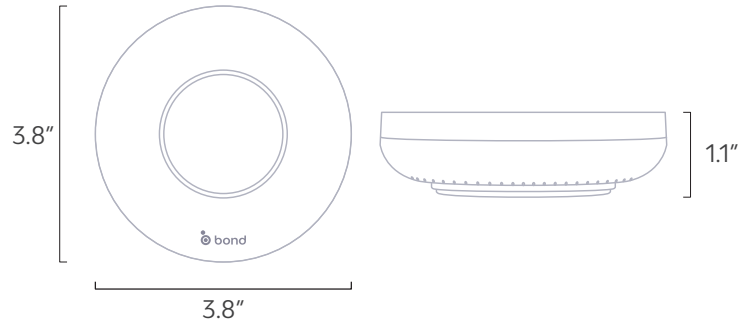
Motorized shades



Fireplaces

Features	Bond Bridge
Range	2500 sq. ft.
Warranty	1 year
Devices	Controls up to 30 devices
IR	✓
RF	✓
Open Local API	✓

Dimensions



Total: 1.1" H x 3.8" W x 3.8" D

Works with

- Control 4
- ELAN
- RTI
- URC
- Savant
- Crestron
- Hubitat
- Homebridge
- Google Assistant
- Amazon Alexa
- Smart Things
- Somfy
- Rollease Acmeda
- Nice
- Dooya
- MagnaTrack
- Bofu
- A.OK
- Gaposia
- Coulisse
- JStar
- Forest Drapery
- Trax
- Ronco
- Dendo

RF Frequency

300 - 450 MHz

RF Reach

2,500 sqft.

Connectivity

2.4 GHz Wi-Fi

Power

5VDC/1W

Weight

7.2 oz

Color

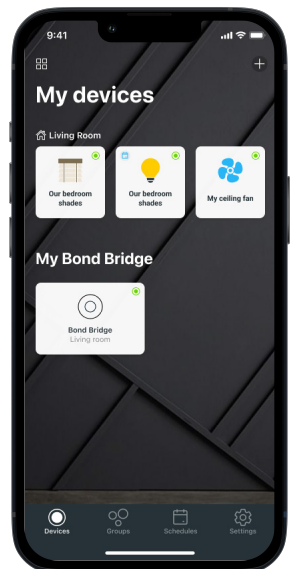
Black Piano

Cable Length

6 ft.

Easy and quick setup

Only 30 seconds setup per device via Bond Home app.



Check out the ever growing list of brands that Bond Bridge work with

