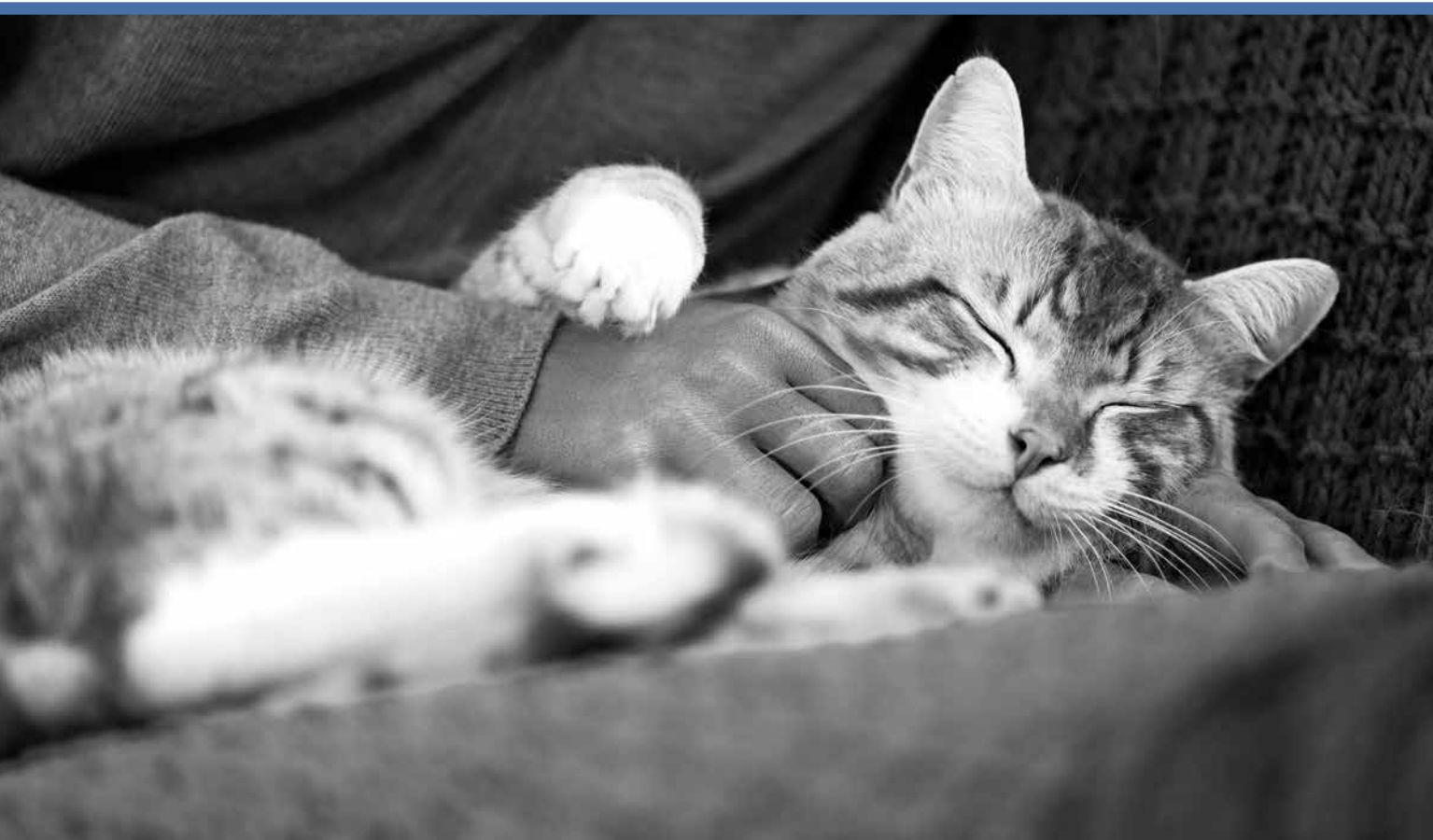




**Get Started!**



# ScoopFree® Select Self-Cleaning Litter Box

## Before we start:

As you set up your new litter box, keep in mind:

### Some cats need time to adjust

While many cats take to their new and improved litter box right away, others take a little longer. Here are some tips to help you get off to a good start:

- Place the new litter box next to your cat's current litter box.
- Let the old litter box get dirty. Most cats prefer a clean litter box and will soon be drawn to the fresh litter in the new litter box.
- The ScoopFree® Select Self-Cleaning Litter Box is quiet when running and only runs after use, but if your cat tends to be skittish or fearful, it may be a good idea to leave the litter box unplugged until she gets used to it.

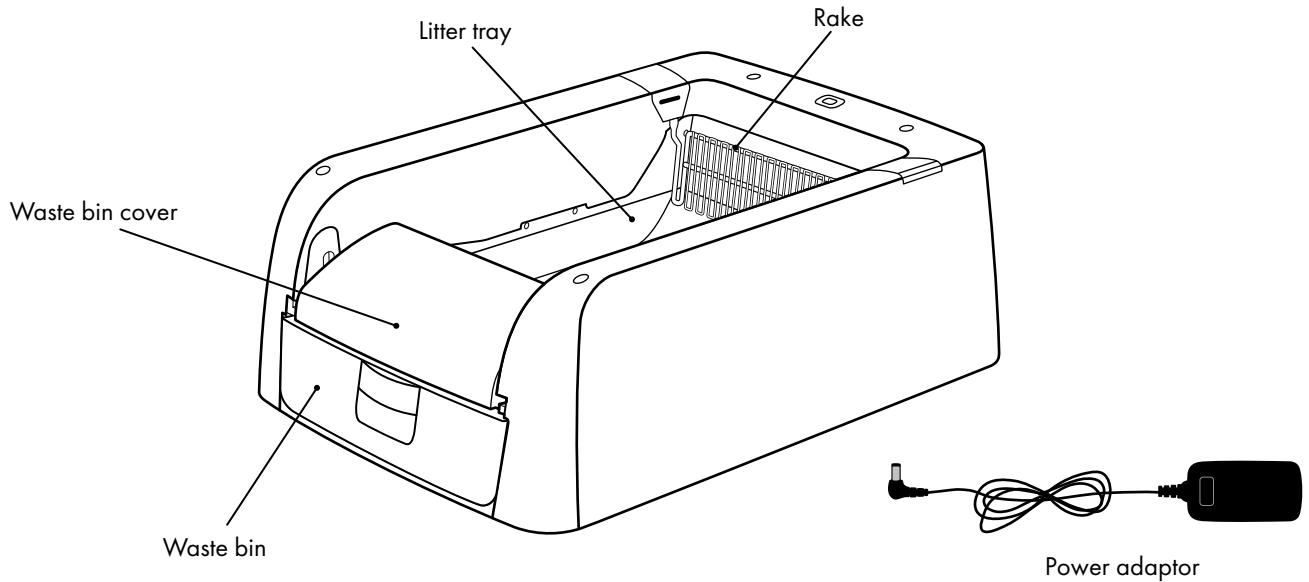
### Your kitten needs special care

**Important:** If you have a kitten, leave the litter box unplugged and scoop waste manually until she is at least 6 months old.

You may want to place a box or step next to the litter box to make it easier for her to get in and out.

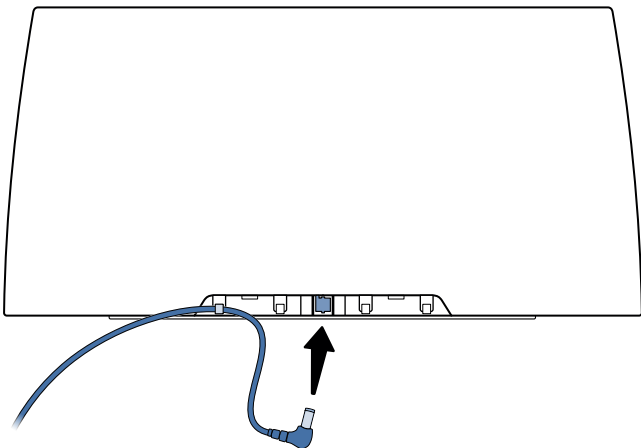
**No scooping,  
more snuggling.**

## What you have:



# Set up your new litter box

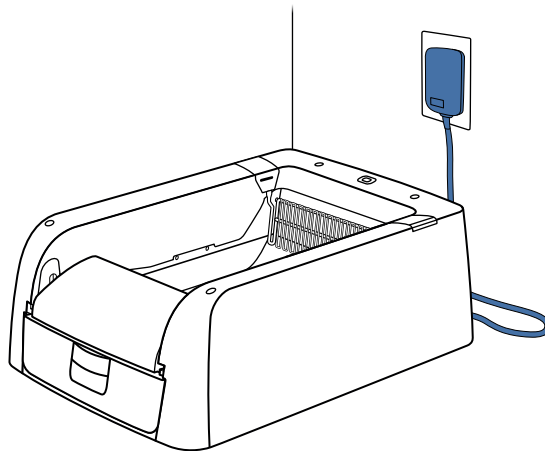
1



Place the litter box in your desired location, near a standard wall outlet.

Insert the small end of the power adaptor into the socket on the back of the litter box. If desired, slide the power adaptor cable under the clips on either side of the socket to secure it.

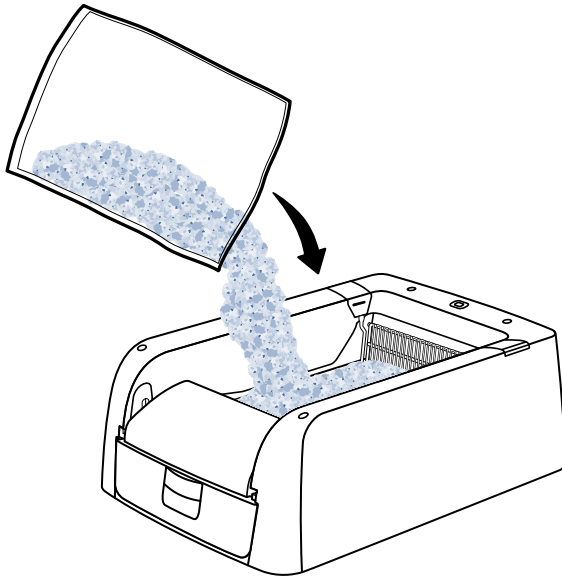
2



Plug the power adaptor into the wall outlet. The litter box will power on and the rake will move to the home position.

**Important:** If you have a kitten, leave the litter box unplugged until she is at least 6 months old.

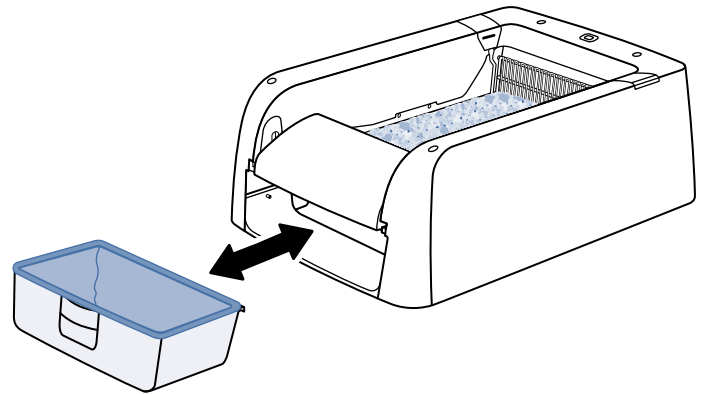
3



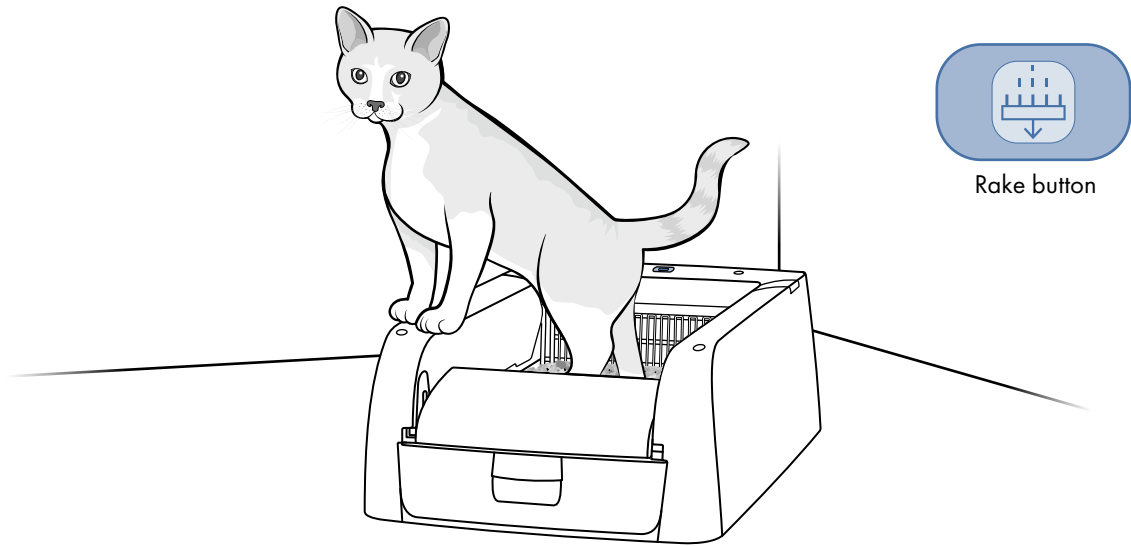
Fill the litter tray with your choice of cat litter. The ScoopFree® Select is designed to work with most litter types, but we recommend using clumping clay litter or ScoopFree® Premium Crystal Litter.

For best results, keep the litter level between the min and max fill lines shown inside the litter tray.

4



The waste bin is easy to clean and can be used unlined to reduce plastic waste, but if you prefer, you can line the waste bin with an 8-to-10-gallon trash bag. If using a bag, make sure it does not interfere with the movement of the waste bin cover or the rake.



Your new litter box is ready to use. Here's how it works:

- Sensors inside the litter box recognize when your cat is present. When your cat leaves the litter box, the rake button will blink blue and the rake timer will start a 10-minute countdown. (This countdown is designed to allow time for the litter to clump or absorb waste before the rake moves.)
- When the countdown is complete, the rake moves any solid or clumped waste into the waste bin.
- If your cat returns to the litter box during the countdown, the rake timer stops. The rake timer resets when your cat leaves the litter box again.
- To activate the rake manually at any time, press the rake button. To pause the rake while it is in motion, press the rake button again.

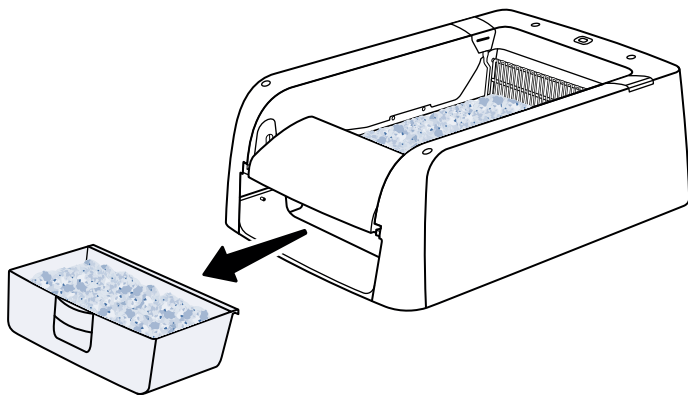
The rake button lights to indicate litter box status:

Light color	Status
Blue, solid	The litter box has power and is functioning normally, with the rake in the home position.
Blue, blinking	The rake timer is counting down, or raking is currently in progress.
Blue, fast blinking	The rake is paused. This happens if you press the rake button while the rake is in motion.
Blue/red blinking	A mechanical error has occurred during the rake cycle. Clear any obstructions near the rake, then press the rake button. The rake should finish the cycle and return to the home position.
Red, solid	Clear any obstructions near the rake and clean the sensors (see page 11). If the error persists, contact our friendly team at Customer Care for assistance.

# Empty the waste bin and add fresh litter

To keep the litter box fresh, empty the waste bin when it starts getting full, and add more litter when needed.

1

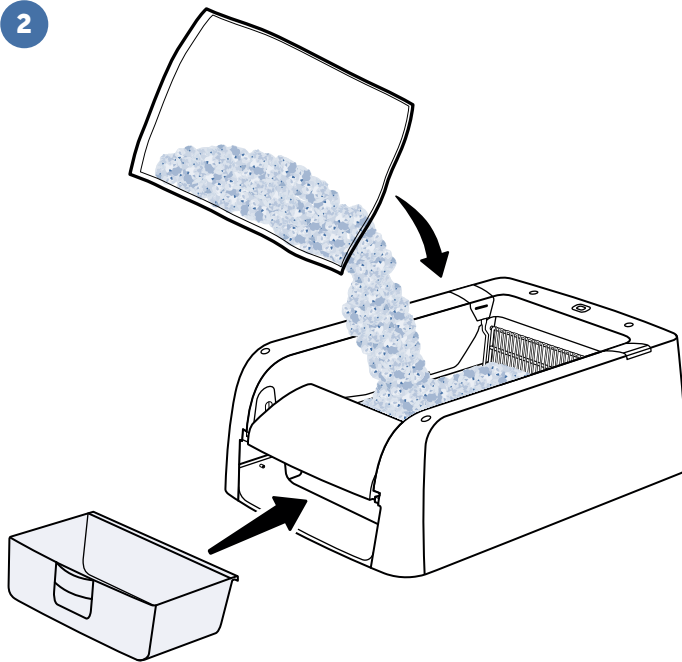


Slide the waste bin out of the litter box and dispose of any waste.

**Important:** See the customer care guide for safety instructions related to cat litter waste and toxoplasmosis.

Line the waste bin with a clean 8-to-10-gallon trash bag if desired.

2



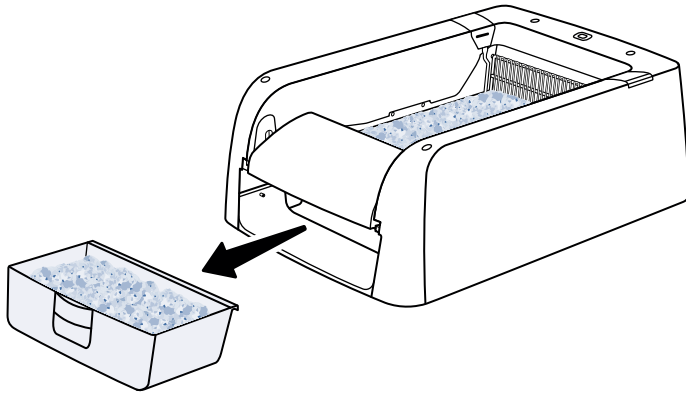
Replace the waste bin in the litter box, making sure it is pushed all the way in. If you lined the waste bin with a plastic bag, make sure the bag doesn't interfere with the movement of the waste bin cover or the rake.

Add fresh litter to the litter tray as needed, staying within the fill lines marked inside the litter tray.

# Clean the litter box

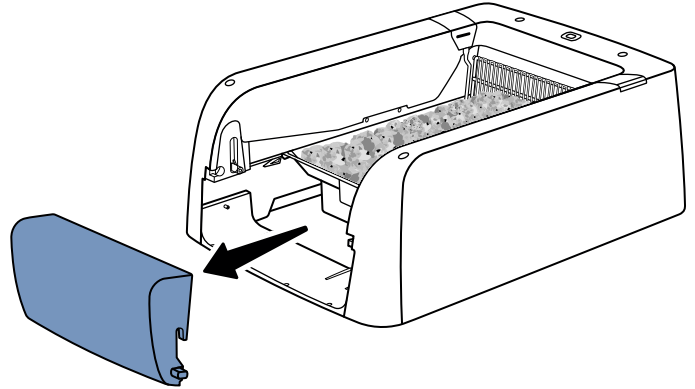
Complete the following steps every few weeks to keep your new litter box clean and raking reliably:

1



Unplug the litter box. Slide the waste bin out of the litter box and dispose of any waste.

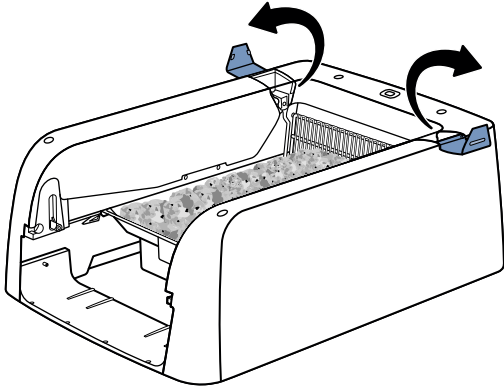
2



Lift the waste bin cover and then slide it forward out of the litter box frame.

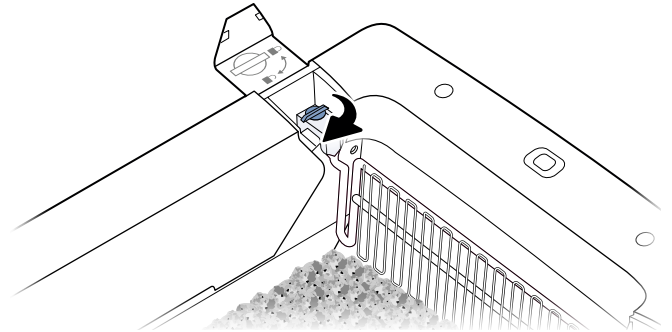


3



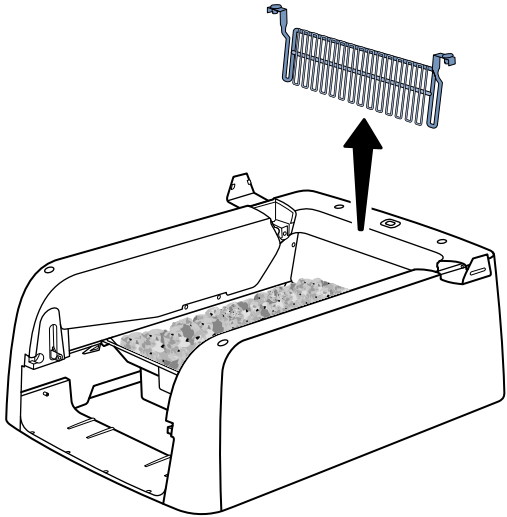
Open the rake covers.

4



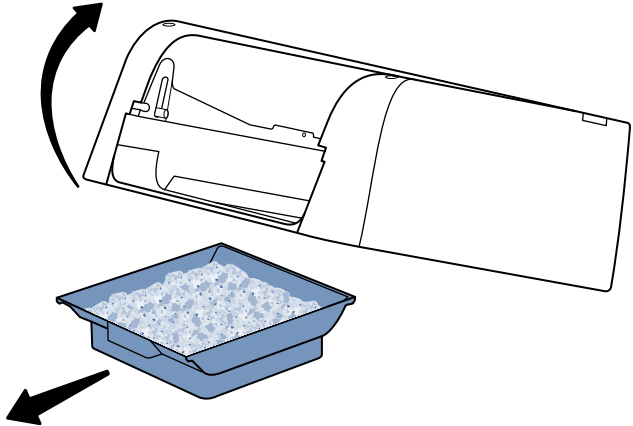
Release the rake by rotating the left and right thumbscrews one-quarter turn.

5



Lift the rake straight up and out of the litter box frame.

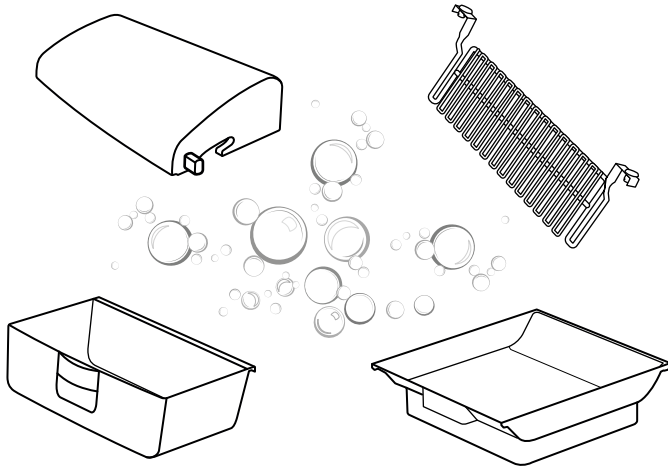
6



Lift the front of the litter box frame and remove the litter tray. Lower the litter box frame back onto the floor.

Gripping the handles at the front and back of the litter tray, tip the used litter out of the litter tray and into a trash bag or trash can.

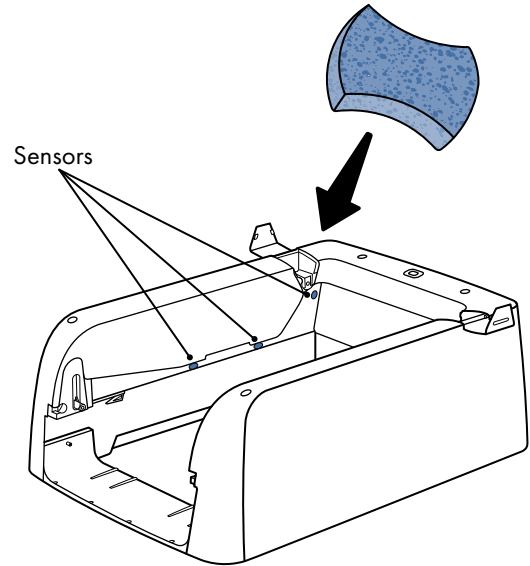
7



Wash the litter tray, waste bin and waste bin cover by hand or in your dishwasher.

The rake is not dishwasher safe and should be hand-washed.

8



Using a cloth or sponge, mild soap, and water, wipe all surfaces of the litter box frame. Make sure the sensors inside the litter box frame are clean and unobstructed.

**Important:** Do not use bleach or chemicals to clean; the odor may repel your cat.

Let all parts dry thoroughly, then reassemble the litter box and fill it with fresh cat litter.

## Fresh clean litter, happy healthy cat.

# ScoopFree<sup>®</sup> Select Self-Cleaning Litter Box



**We're here to help!**

For questions or additional tips:

[support.petsafe.com](https://support.petsafe.com)