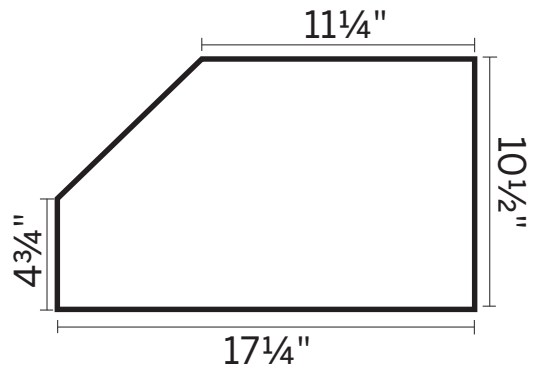
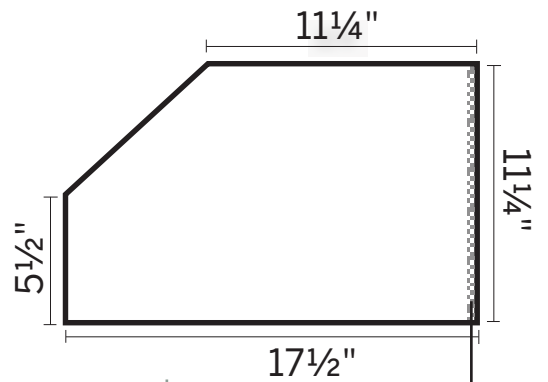


CUBBY DIVIDERS



CUBBY ENDS



Cut List for Building a Kids' Bookcase

- Oak stair treads: two @ 1 x 11½ x 36 inches
- 1x12 pine shelf: one @ 33 inches
- 1x12 pine sidepieces: two @ 22¾ inches
- 1x12 pine shelf dividers: two @ 11 x 11 inches
- 1x12 pine cubby ends: See diagram; cut two.
- 1x12 pine cubby dividers: See diagram; cut two.
- 1x18 pine edge-glued panel base: one @ 33 inches
- 1x6 pine fascia: one @ 34½ inches
- Lauan back: Cut to fit.

¼" RABBET

