



CycleSafe[®]
Simple. Strong. Secure.



CycleSafe[®]
Simple. Strong. Secure.

CycleSafe, Inc.
5211 Cascade Rd. SE, Suite 210, Grand Rapids, Michigan 49546

Phone
+1-616-954-9977

Website
cyclesafe.com

Secure Bike Parking Solutions
Lockers • Racks • Shelters

We've not only set the standard...

we continue to raise the bar.

CycleSafe is the oldest bike locker company in North America and the first to achieve a patent for bike storage in the U.S. We are the only company that utilizes Fiberglass Sheet Molding Compound (SMC), which has been uniquely engineered to be light yet strong and secure against damage, vandalism, and theft. SMC offers the structural strength of steel with 30% less weight, has a high surface hardness, and is UV and fire-resistant.

Having been around so long, we've built a reputation for delivering the highest quality solutions in the industry with a near obsession for attention to detail. Our design's clean lines attract users and raise the image of cycling. Every last part, feature, rib and boss of our products is covered with an industry-leading ASTM Type 5 industrial maintenance coating, ensuring our lockers are graffiti-resistant and impervious to rust, dents, chalking, and extreme weather conditions.

We make our products the way we do because we don't want you to have to worry about frequently maintaining them, or even replacing them. We know you want bike storage that lasts; that looks as good as it works; that stands out, or perhaps blends in. You want a solution that's cost-effective to ship and easy to install, and just as importantly, easy to use. You need it to not only meet the specs of the project, but also the needs of an active and healthy community. We get it. We understand it. And we have the knowledge, equipment, technology and capability to not just deliver it, but deliver it faster than anyone in the industry.





When you see a CycleSafe product, that's a sign of a healthy and sustainable community! Whether for a transit system, fitness or recreational area, or an education, corporate, government or healthcare facility, we help planners, architects, property managers, engineers and contractors fulfill the needs of the business or organization as well as its surrounding community.

Our products are made not only to last, but also to improve community engagement and image, contribute to alternative transportation, promote healthy lifestyles, and maximize safety and security at your facility. Take a look at what we can do for you.

Since 1980

CycleSafe products are simple to ship, install and use. They're also built to last and more durable than any other bike storage solution on the market. In fact, the very first lockers we ever made have never been replaced and are still in use to this day...that's 40 years and counting.

Browse our catalog of products and choose from a complete line of high-quality, long-lasting lockers, shelters, racks and stations, all of which can be customized to fit your needs.

Contents

Long-Term Bike Parking	6	
ProPark® Locker	10	
(40+ Year Lifetime)		
- Modular Locker Banks		
- High Security		
- Digital Access Capabilities		
EcoPark™ Locker	12	
(15+ Year Lifetime)		
- Individual Lockers		
- Medium Security		
- Digital Access Capabilities		
CargoPark™ Locker Bank	14	
(40+ Year Lifetime)		
- Modular Locker Banks		
- For Cargo & Recumbent Bikes		
- Digital Access Capabilities		
Short-Term Bike Parking	18	
• Inverted U Racks	22	
◦ Vintage Racks	24	
◦ Modern Racks	25	
◦ Staple Racks	26	
◦ Custom Racks	28	
• WallRacks	32	
◦ FenderRack	33	
◦ WallRack Stands	34	
◦ Tree Rack	35	
• High-Density Racks	36	
• Corrals	38	
◦ Angled	39	
◦ Hi-Lo	40	
• Event Racks	41	
Bike Shelter Solutions	42	
• CyclePort™	46	
• Compact	48	
• Pocket	49	
Bike Stations	50	
Resources	53	
• Bike Room Planning		
• Locker Selection Matrix		
• Locker Site Planning		
• Bike Station Planning		



Long-Term Bike Parking



Bicycle storage lockers provide the highest security, long-term bike parking with protection from theft, vandalism, and inclement weather to encourage cycling as a means of transportation. The CycleSafe bike locker system offers customizable benefits for the cyclist and facility manager, including manual and electronic lock options, storage bins, promotional panels, and a range of configurations to meet site, budget, and security requirements. CycleSafe bicycle lockers are permanently anchored, lockable bike storage. Our patented design is impenetrable to pry bars and keeps out rain, wind, snow, and fire.

The contoured radial edge design provides a contemporary, stylish appeal. Extremely durable, these lockers are compression molded with modern structural-grade composite materials that are non-corrosive, rust free, impact resistant, and feature a graffiti/UV resistant polyurethane enamel paint finish. Each part of the locker system can be custom painted to match any environment or brand, creating infinite style possibilities. CycleSafe's high-strength, Fiberglass Sheet Molding Compound (SMC) produces a virtually indestructible product whose life span is measured in decades, not years.

Which Locker is Right for You?

ProPark Bike® Locker Bank



Entry Doors

- One or Two Doors

Stacking

- Single or Double-Tier

Door Lock

- T-Handle, Keyed
- Swing Handle
- ADA Slam Latch
- Cellular Bluetooth
- Keypad, Keypad + WiFi, and Keypad + WiFi + RFID

Finish

- Sandstone, RAL 1019
- Custom colors available at an additional cost

Overview

- Expandable
- Graphic Display Panel Available
- Highest Security

ProPark® Bike Standard Model



Entry Doors

- One or Two Doors

Stacking

- Single or Double-Tier

Door Lock

- T-Handle, Keyed
- Swing Handle
- ADA Slam Latch
- Cellular Bluetooth
- Keypad, Keypad + WiFi, and Keypad + WiFi + RFID

Finish

- Sandstone, RAL 1019
- Custom colors available at an additional cost

Overview

- Expandable
- Graphic Display Panel Available
- Highest Security

ProPark® Door-View



Entry Doors

- One or Two Doors

Stacking

- Single or Double-Tier

Door Lock

- T-Handle, Keyed
- Swing Handle
- ADA Slam Latch
- Cellular Bluetooth
- Keypad, Keypad + WiFi, and Keypad + WiFi + RFID

Finish

- Sandstone, RAL 1019
- Custom colors available at an additional cost

Overview

- Expandable
- Door View
- Graphic Display Panel Available
- Highest Security

EcoPark™ Standard Model



Entry Doors

- One or Two Doors

Stacking

- Single or Double-Tier

Door Lock

- T-Handle, Keyed
- Swing Handle
- Cellular Bluetooth

Finish

- Sandstone, RAL 1019
- Custom colors available at an additional cost

Overview

- Space Saving
- Graphic Display Panel Available
- Medium Security

EcoPark™ Door-View



Entry Doors

- One or Two Doors

Stacking

- Single or Double-Tier

Door Lock

- T-Handle, Keyed
- Swing Handle
- Cellular Bluetooth

Finish

- Sandstone, RAL 1019
- Custom colors available at an additional cost

Overview

- Space Saving
- Door View
- Graphic Display Panel Available
- Medium Security

ProPark® Side-View



Entry Doors

- One or Two Doors

Stacking

- Single or Double-Tier

Door Lock

- T-Handle, Keyed
- Swing Handle
- ADA Slam Latch
- Cellular Bluetooth
- Keypad, Keypad + WiFi, and Keypad + WiFi + RFID

Finish

- Sandstone, RAL 1019
- Custom colors available at an additional cost

Overview

- Expandable
- Side View
- Graphic Display Panel Available
- Highest Security

ProPark® View-Thru



Entry Doors

- One or Two Doors

Stacking

- Single or Double-Tier

Door Lock

- T-Handle, Keyed
- Swing Handle
- ADA Slam Latch
- Cellular Bluetooth
- Keypad, Keypad + WiFi, and Keypad + WiFi + RFID

Finish

- Sandstone, RAL 1019
- Custom colors available at an additional cost

Overview

- Expandable
- Door View
- Side View
- Graphic Display Panel Available
- Highest Security

ProPark® Double-Tier Standard



Entry Doors

- One or Two Doors

Stacking

- Double-Tier

Door Lock

- T-Handle, Keyed
- Swing Handle
- ADA Slam Latch
- Cellular Bluetooth
- Keypad, Keypad + WiFi, and Keypad + WiFi + RFID

Finish

- Sandstone, RAL 1019
- Custom colors available at an additional cost

Overview

- Expandable
- Graphic Display Panel Available
- Highest Security

ProPark® Double-Tier Door-View



Entry Doors

- One or Two Doors

Stacking

- Double-Tier

Door Lock

- T-Handle, Keyed
- Swing Handle
- ADA Slam Latch
- Cellular Bluetooth
- Keypad, Keypad + WiFi, and Keypad + WiFi + RFID

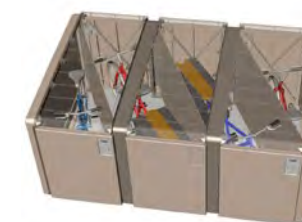
Finish

- Sandstone, RAL 1019
- Custom colors available at an additional cost

Overview

- Expandable
- Door View
- Graphic Display Panel Available
- Highest Security

CargoPark™ Bike Locker



Entry Doors

- Four doors in 3-Locker Unit

Stacking

- Single or Double-Tier

Door Lock

- T-Handle, Keyed
- Swing Handle
- Cellular Bluetooth

Finish

- Sandstone, RAL 1019
- Custom colors available at an additional cost

Overview

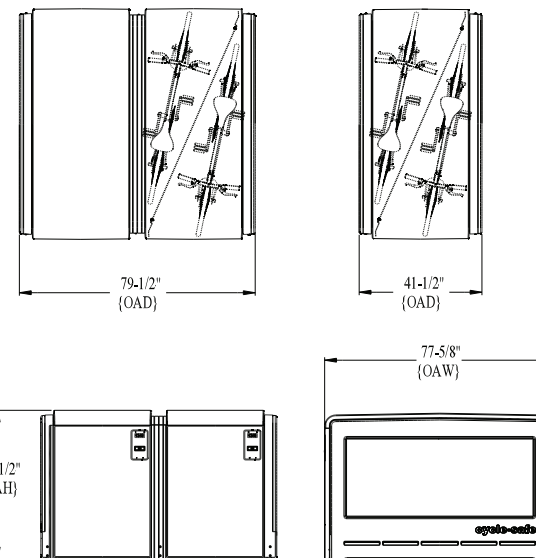
- Expandable
- Graphic Display Panel Available
- Specialty Bike Capacity
- Highest Security

ProPark®

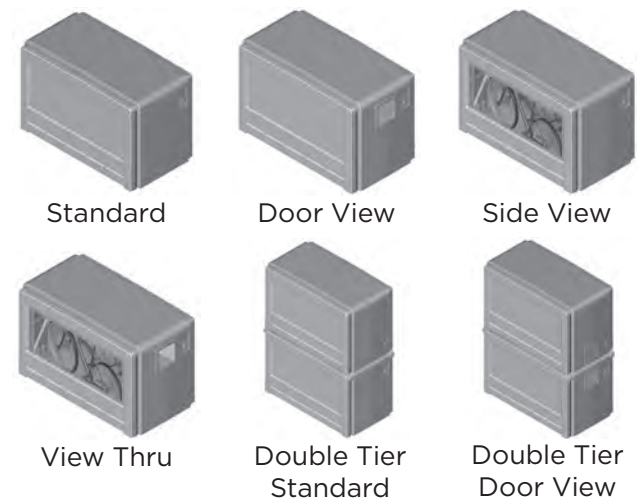
The modular, interlocking design of the CycleSafe ProPark® bike locker series offers a wide range of bicycle parking capacity. ProPark Bike Lockers can be extended into bike locker banks of two, three, four—even 20 lockers.

The Ultimate Bike Locker
Digital Access Capabilities

[Download CAD files](#) 



STYLE OPTIONS



OVERVIEW

- Proven 40+ year design life
- Compression molded Fiberglass SMC doors, tops, and side panels with integrated high-strength ribs and bosses
- Modular, interlocking, patented design makes the lockers easy to assemble, relocate and expand
- Designed to endure the harshest climates and severe weather events
- Made in the USA
- Ships in kit form

SECURITY

- Standard T-Handles are a built-in patented Abloy high-security lock
- High-security, full-length, door latch system
- Mechanical and electronic lock options available (see pages 16-17 for more information)

TECHNICAL

- Modular design channels water away from lockers
- Double-tier bike lockers available for high-density parking
- Adjustable-height leveling plates available for mounting
- UV and graffiti-resistant polyurethane finish
- Flame resistant to UL V-1 rating

DIMENSIONS

- Stand-alone locker: 41 1/2" W x 77 5/8" L x 50 1/2" H
- 1-door: 20 sq. ft. for 1 or 2 bikes
- 2-doors: 10 sq. ft. for each of 2 bikes
- Door opening: 30 3/4" W x 45" H
- Accommodates many electric bikes and mopeds
- Locker weight 450 lbs.

LOCKER BANK PLANNING

- Total locker bank length = 7" + (38" X (number of locker units))
- Adder unit dimensions: 38" W x 77 5/8" L x 50 1/2" H

EcoPark™

The Economical Bike Locker *Digital Access Capabilities*

EcoPark™ series bike lockers offer the quality features of our flagship ProPark bike locker series with a reduced footprint. When analyzing strength, low transportation costs, reduced maintenance expense and an estimated over 15-year design life, the EcoPark series provides an economical design choice for bike lockers.

[Download CAD files](#) 



OVERVIEW

- Proven 15 + year design life
- Side-by-side freestanding design
- Compression molded SMC doors and tops
- With integrated high-strength ribs and bosses
- TGIC coated steel side panels
- Simple components for easy installation
- Lockers easy to assemble, relocate or place additional beside existing ones
- Ships kit form
- Made in USA

SECURITY

- Standard T-Handles are built-in Chicago Ace II high-security locks
- High-security, full-length, door latch system
- Mechanical and electronic lock options available (see pages 16-17 for more information)

TECHNICAL

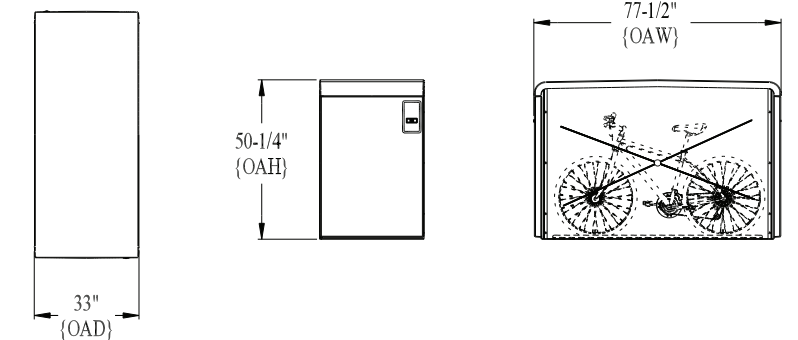
- Flame resistant to UL-1 rating
- UV and graffiti-resistant polyurethane finish
- Double-Tier bike lockers available for high-density parking

DIMENSIONS

- 33" W x 77 1/2" L x 50 1/4" H
- 1-door: 9 sq. ft. for 1 or 2 bikes
- 2-doors: 8 sq. ft. for each of 2 bikes
- Door opening: 28 1/2" W x 45" H
- Locker weight 410 lbs

LOCKER BANK PLANNING.

- Total locker bank length = 33" X (number of locker units)



STYLE OPTIONS



Standard



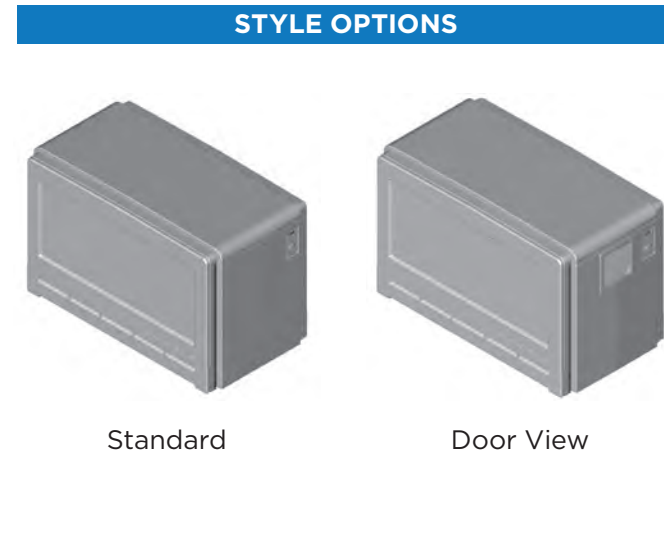
Door View

CargoPark™

The XL Bike Locker
Digital Access Capabilities

CycleSafe has designed a variation of a ProPark® bike locker to meet the needs of longer wheelbase extension bikes, cargo bikes and recumbent bikes. Our Cargo Bike Locker is available in 3-unit locker modules to accommodate two extension bikes and two standard bikes in individual storage lockers.

[Download CAD files](#) 



OVERVIEW

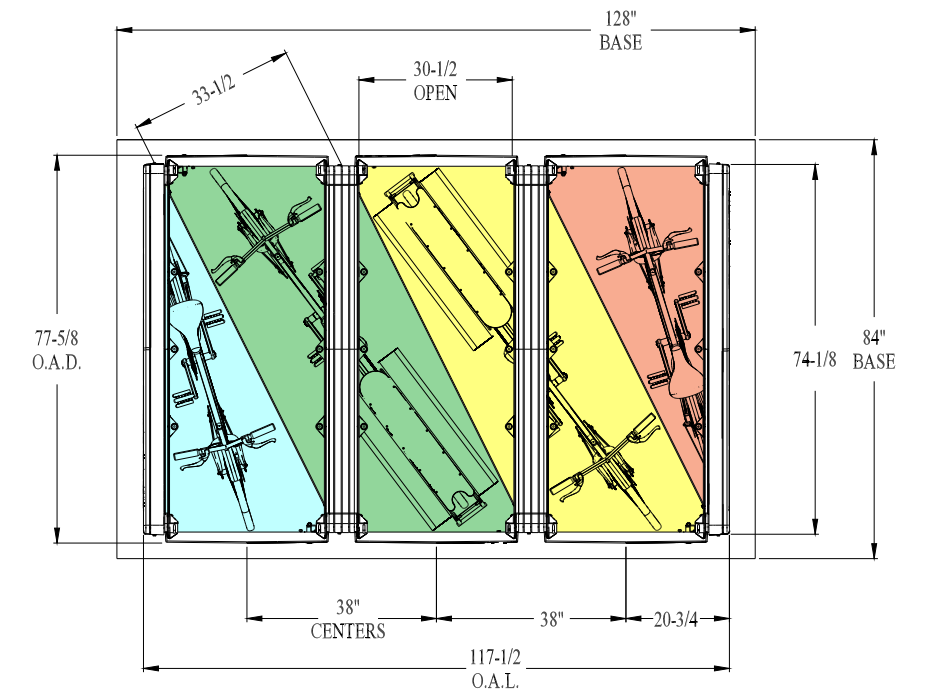
- Existing lockers can be retrofitted to become Cargo Bike Lockers and CargoParks can change back to standard ProParks at any time
- Proven 40+ year design life
- Compression molded Fiberglass SMC doors, tops, and side panels with integrated high-strength ribs and bosses
- Modular, interlocking, patented design makes the lockers easy to assemble, relocate and expand
- Designed to endure the harshest climates and severe weather events
- Made in the USA
- Ships in kit form

TECHNICAL

- Modular design channels water away from lockers
- Double-Tier bike lockers available for high-density parking
- Adjustable-height leveling plates available for mounting
- UV and graffiti-resistant polyurethane finish
- Flame resistant to UL V-1 rating

SECURITY

- Standard T-Handles are a built-in patented Abloy high-security lock
- High-security, full-length, door latch system
- Mechanical and electronic lock options available (see pages 16-17 for more information)



DIMENSIONS

- Allows storage for a variety of bikes:
- Cargo bikes, extension bikes, recumbent bikes, even mopeds and e-bikes
- Cargo compartments: 31 1/2" W x 87" L x 50 1/2" H
- Door opening: 30 3/4" W x 45" H

LOCKER BANK PLANNING

- Total locker bank length = 7" + (38" X (number of locker units))

Bike Locker Lock Options

High-Security Locking Options
Digital Access Technologies

CycleSafe offers a wide variety of high-security locking options, from self-serve lockable swing handles to keyed, keyless, keycode, badge, and bluetooth cellular access locks. Our specialists will help you select the right lock options for your needs.

Contact a CycleSafe Representative. 

Standard lock options on all lockers are our Swing Handle and Keyed T-Handle. The T-handle Abloy series offers top-of-the-line physical security and environmental durability, because we believe our standard should still give you best-in-class performance.



Swing Handle



- Stainless steel swing handle allows lockers to be used on a first-come, first-served basis.
- High-security mechanical operation
- Cyclists secure bikes in the locker with their own padlock or U-lock.
- For 3/8" maximum diameter padlock or 5/8" maximum diameter U-lock
- Five-point full-length stainless steel latch bar provides high security
- Easy to use
- Heavy-duty handle with spring return
- Door closers
- Stainless steel handle
- Lock not included
- Full-length, concealed piano-type hinge
- Available on ProPark, EcoPark & CargoPark Lockers

Keyed T-Handle



- User-friendly, intuitive, vending-type T-handle
- Replaceable lock cylinders offer superior resistance to corrosion, manipulation and attack
- Disc tumbler cylinder contains few moving parts and offers picking and environmental resistance
- Interchangeable core cylinders
- Recessed T-handle prevents effective attack
- Unable to defeat lock with bolt cutters
- Five-point, full-length latch bar
- Steel bolt provides maximum resistance against attack by pulling
- Highly weather-resistant
- Clear to see when unit is locked or unlocked
- No exposed hinges
- Optional master key capabilities
- Available on ProPark, EcoPark & CargoPark Lockers

Bluetooth Cellular Electronic T-Handle



- Robust security features paired with keyless smartphone access and cloud-based reporting and administration.
- iOS and Android user app
- Can be configured as private, public, or hybrid
- Recessed, keyless T-handle is resistant to picking, drilling, and brute force attacks
- Five-point stainless steel locking bar provides high security
- Keyless; no more lost keys or rekeying
- Battery-powered, motorized latching
- 12-month average battery life, dependent on climate conditions
- Electronic bypass fob for onsite manager use
- Available on ProPark, EcoPark & CargoPark Lockers
- Retrofit kits available for certain CycleSafe lockers

Bluetooth Cellular Lever Lock



- Robust security features paired with keyless smartphone access and cloud-based reporting and administration.
- Electronic & intelligent. iOS and Android user app.
- Can be configured as private, public, or hybrid
- ADA compliant handle with internal egress handle
- Tubular deadbolts
- No exposed hinges
- Keyless; no more lost keys or rekeying
- Includes master key override
- Optional QR code entry
- 12-Volt DC battery with low-power indicator
- 12-month average battery life, dependent on climate conditions
- Heavy-duty technologies for lasting durability
- Available on ProPark & CargoPark Lockers

Trilogy Lock



- Proximity card or keypad entry
- Allows for a reserved locker via a remote database.
- Heavy-duty ANSI Grade 1 door lock with wireless key card and push-button user access
- Key handle override
- Cylindrical deadlatch locking mechanism
- Supports up to 5000 users via 3-6 digit PINs, or HID prox cards
- Compatible with any HID 125kHz prox cards 26-48bit
- Operates on (4) C size batteries, included
- Unsurpassed 5-year+ battery life; no supplementary power supplies needed
- Includes master key override
- Available on ProPark & CargoPark Lockers

Key In Code Lock



- Standalone keypad lock with RFID capability
- Manually programmable keypad
- ADA compliant
- Internal egress
- Best suited for personal and office use
- Multiple keyless access methods – keypad code and smart card
- 12 button backlit LED keypad
- Up to 800 user code and smart card combined capacity
- Master key override
- 8-digit master code
- Passage function for code free access
- Low-battery indicator on keypad and app
- Zinc alloy body construction suitable for indoor
- Available on ProPark & CargoPark Lockers



Short-Term Bike Parking






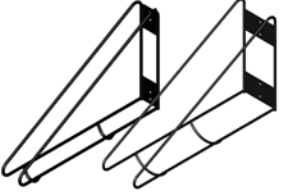


CycleSafe commercial bike racks are designed for urban use, and built with heavy-duty materials and finishes that extend lifetime durability.







CycleSafe bike parking racks provide bike parking security, stability and safety. The CycleSafe engineering team has designed a full palette of bicycle racks to compliment your site or cyclist needs with a variety of installation styles. Our commercial-grade outdoor bike racks are suitable for Class II short-term bike parking to accommodate shopping centers, schools, libraries, parks and recreation centers, or locations where temporary or low-security parking is required.

We offer a wide variety of short-term bike parking solutions designed to:

- Support bikes upright without putting stress on wheels
- Accommodate a variety of bikes and attachments
- Allow users to secure the frame and at least one wheel with a U-lock
- Provide security and longevity appropriate for the intended placement
- Allow intuitive and easy use

Which Rack is Right for You?

<p>U Racks: Classic • Crossbar</p>	 <p>Mount</p> <ul style="list-style-type: none"> • Surface • In-Ground • Rail <p>Finish</p> <ul style="list-style-type: none"> • Black Plastisol, Powder Coat or Stainless Steel, available in crossbar only 	<p>Color</p> <ul style="list-style-type: none"> • Traffic Black, RAL 9017 • Custom colors available at an additional cost <p>Overview</p> <ul style="list-style-type: none"> • Freestanding • Crossbar option
<p>Staple™ Bike Rack</p>	 <p>Mount</p> <ul style="list-style-type: none"> • Surface • In-Ground • Rail <p>Finish</p> <ul style="list-style-type: none"> • Powder Coat 	<p>Color</p> <ul style="list-style-type: none"> • Traffic Black, RAL 9017 • Custom colors available at an additional cost <p>Overview</p> <ul style="list-style-type: none"> • Freestanding • 2-Bend Rack
<p>Vintage • Modern • Cycle Park • Custom U Racks</p>	 <p>Mount</p> <ul style="list-style-type: none"> • Surface • In-Ground • Rail <p>Finish</p> <ul style="list-style-type: none"> • Powder Coat 	<p>Color</p> <ul style="list-style-type: none"> • Traffic Black, RAL 9017 • Custom colors available at an additional cost <p>Overview</p> <ul style="list-style-type: none"> • Freestanding • Design Options
<p>WallRack™: Standard • Fat Tire</p>	 <p>Mount</p> <ul style="list-style-type: none"> • Wall • Chain-Link Fence • 45° Angle <p>Finish</p> <ul style="list-style-type: none"> • Powder Coat • Stainless Steel, available for the standard WallRack only <p>Available Accessories</p> <ul style="list-style-type: none"> • Tireguard Plate 	<p>Color</p> <ul style="list-style-type: none"> • Traffic Black, RAL 9017 • Other standard colors available at an additional cost <p>Overview</p> <ul style="list-style-type: none"> • Space Saving • Vertical Storage • Wheel Cradle • Lockable
<p>FenderRack</p>	 <p>Mount</p> <ul style="list-style-type: none"> • Wall <p>Finish</p> <ul style="list-style-type: none"> • Powder Coat 	<p>Color</p> <ul style="list-style-type: none"> • Traffic Black, RAL 9017 <p>Overview</p> <ul style="list-style-type: none"> • Space Saving • Vertical Storage • Hook • Lockable
<p>Racks on Rails (Kit)</p>	 <p>Mount</p> <ul style="list-style-type: none"> • Surface <p>Finish</p> <ul style="list-style-type: none"> • Black Plastisol 	<p>Color</p> <ul style="list-style-type: none"> • Traffic Black, RAL 9017 <p>Overview</p> <ul style="list-style-type: none"> • Freestanding • Design Options

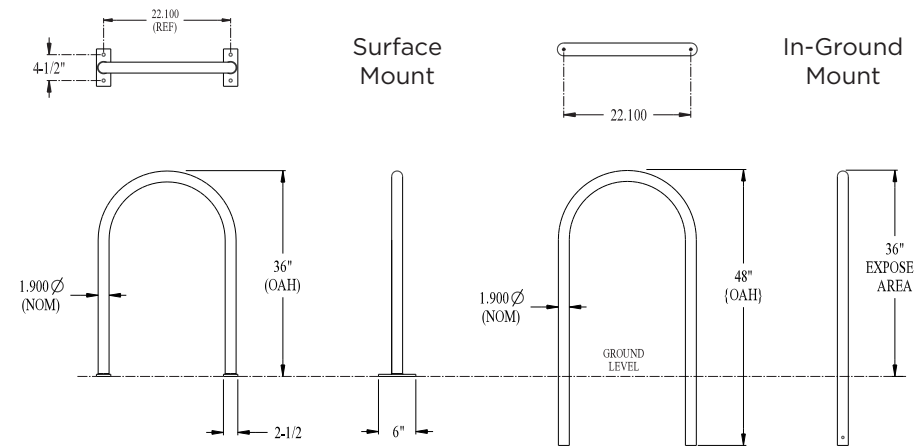
<p>Bike Tree Rack</p>	 <p>Mount</p> <ul style="list-style-type: none"> • Surface • Wall • Ceiling <p>Finish</p> <ul style="list-style-type: none"> • Powder Coat <p>Color</p> <ul style="list-style-type: none"> • Traffic Black, RAL 9017 	<p>Overview</p> <ul style="list-style-type: none"> • Freestanding • Configure for 1-4 bikes • Space Saving • Vertical Storage • Wheel Cradle • Lockable
<p>Quad Hi-Density Bike Rack</p>	 <p>Mount</p> <ul style="list-style-type: none"> • Surface • Wall • Freestanding <p>Finish</p> <ul style="list-style-type: none"> • Powder Coat <p>Color</p> <ul style="list-style-type: none"> • Artic White RAL 9003 • Other standard colors available at an additional cost 	<p>Overview</p> <ul style="list-style-type: none"> • High-Density • Modular • Freestanding • Space Saving • Wheel Guide and Cradle • Multiple Locking Points
<p>Octo Hi-Density Bike Rack</p>	 <p>Mount</p> <ul style="list-style-type: none"> • Surface • Wall • Freestanding <p>Finish</p> <ul style="list-style-type: none"> • Powder Coat <p>Color</p> <ul style="list-style-type: none"> • Artic White RAL 9003 • Other standard colors available at an additional cost 	<p>Overview</p> <ul style="list-style-type: none"> • High-Density • Modular • Freestanding • Space Saving • Multiple Locking Points
<p>WallRack™ Stand</p>	 <p>Mount</p> <ul style="list-style-type: none"> • Post Base • Strut Base <p>Finish</p> <ul style="list-style-type: none"> • Powder Coat <p>Color</p> <ul style="list-style-type: none"> • Traffic Black, RAL 9017 	<p>Overview</p> <ul style="list-style-type: none"> • Freestanding • Expandable • Space Saving • Vertical Storage
<p>Bike Stalls: Straight • Angled • Hi-Lo</p>	 <p>Mount</p> <ul style="list-style-type: none"> • Strut Base • Post Base <p>Finish</p> <ul style="list-style-type: none"> • Powder Coat <p>Color</p> <ul style="list-style-type: none"> • WallRacks: Traffic Black, RAL 9017 • Strut: Galvanized Steel 	<p>Overview</p> <ul style="list-style-type: none"> • Freestanding • Space Saving • Wheel Cradle • Lockable
<p>Event Rack</p>	 <p>Mount</p> <ul style="list-style-type: none"> • Freestanding <p>Finish</p> <ul style="list-style-type: none"> • Powder Coat <p>Color</p> <ul style="list-style-type: none"> • Metallic Silver 	<p>Overview</p> <ul style="list-style-type: none"> • Expandable • Modular • Lightweight <p>Available Accessories</p> <ul style="list-style-type: none"> • Security Loops • Identification Flags

Bike U Rack

The Standard in Bike Racks

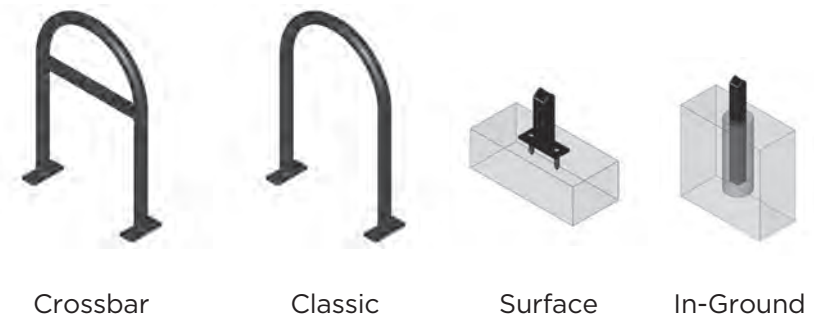
CycleSafe Inverted U Bicycle Racks provide leading-edge coating technology and offer the best solution for short-term bicycle parking to accommodate two bikes per rack. This rack design is the recommended standard by the Association of Pedestrian and Bicyclists Professionals (APBP) and meets government standards for short-term bike parking.

[Download CAD files](#) 



Sizes are standard between the Classic, with Crossbar, Vintage, Modern, Cycle Park and Custom Bike U Racks.

STYLE OPTIONS



OVERVIEW

- Secures two bikes per rack
- Industry standard design for short-term parking
- Offers bike stability, keeping parking area organized and attractive for both users and property managers

TECHNICAL

- Constructed of heavy gauge schedule 40 steel pipe

PLASTISOL FINISH

- Durable, maintenance-free, 1/8" thick Plastisol coating protects both the bike and rack from scratches, dents, and dings
- Superior resistance to corrosion from city sidewalk environmental chemicals

STAINLESS STEEL

- Ultimate resistance to corrosion from city sidewalks and environmental (salt, air) chemicals

SECURITY

- Offers multiple positions to attach a lock to secure both the wheel and bike frame, achieving two points of contact required for secure parking
- Crossbar recommended for added security

DIMENSIONS

- Racks weigh 25 lbs.

OPTIONS

- In-ground, surface or rail mount
- Rail-Mount bike rack includes 3 racks for a 6-bike capacity
- Impact-damage-resistant Plastisol jacket (standard)
- Custom zinc primer TGIC powder coat finishes

Vintage Racks

Timeless Designs

CycleSafe Vintage Racks combine the unmatched reliability of the U rack with the stylish charm of years past. Vintage bike racks are an outstanding short-term parking solution that looks as good as it functions.

[Download CAD files](#)



Modern Racks

Contemporary Flair

CycleSafe Modern Racks incorporate the functional design features of the Bike U Rack with Crossbar with a contemporary flair.

[Download CAD files](#)



Facility managers and cyclists appreciate the design features that provide a solid bike rack and hold the bike steady from knocking handlebars or toppling into pedestrian aisles. CycleSafe Vintage Racks are the perfect complement to urban planners' historic streetscapes, providing short-term bicycle parking for urban or suburban locations.

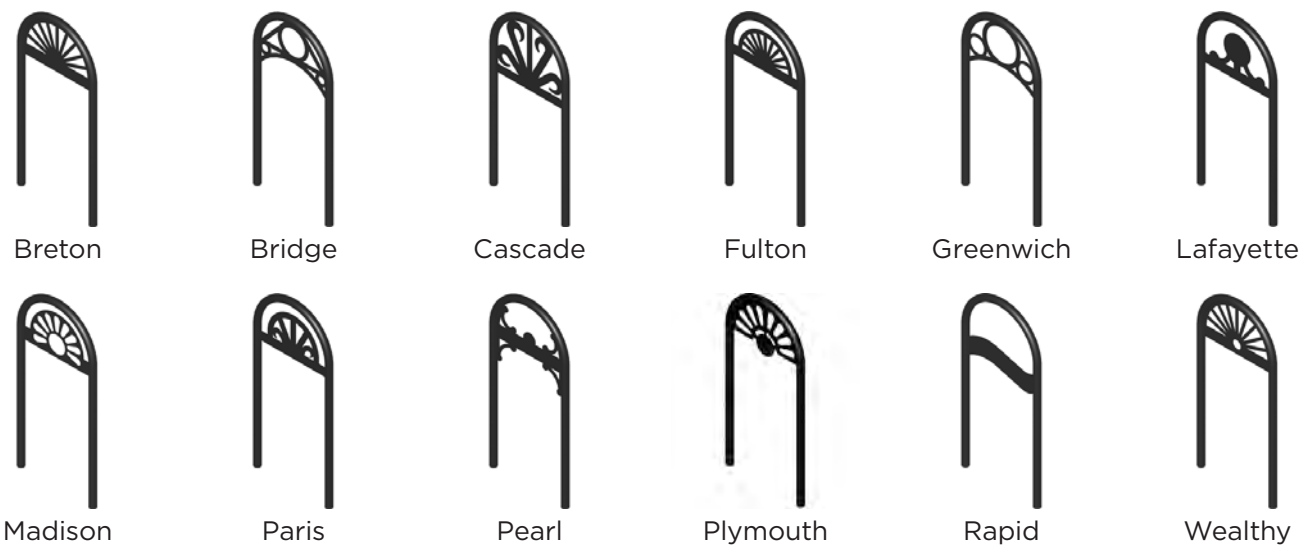
Vintage Bike Racks by CycleSafe offer leading technology with heavy gauge 1 1/2" Schedule 40 steel pipe with polyester zinc primer TGIC powder coat finishes electro-statically applied with a hard gloss finish. Custom colors available upon request.



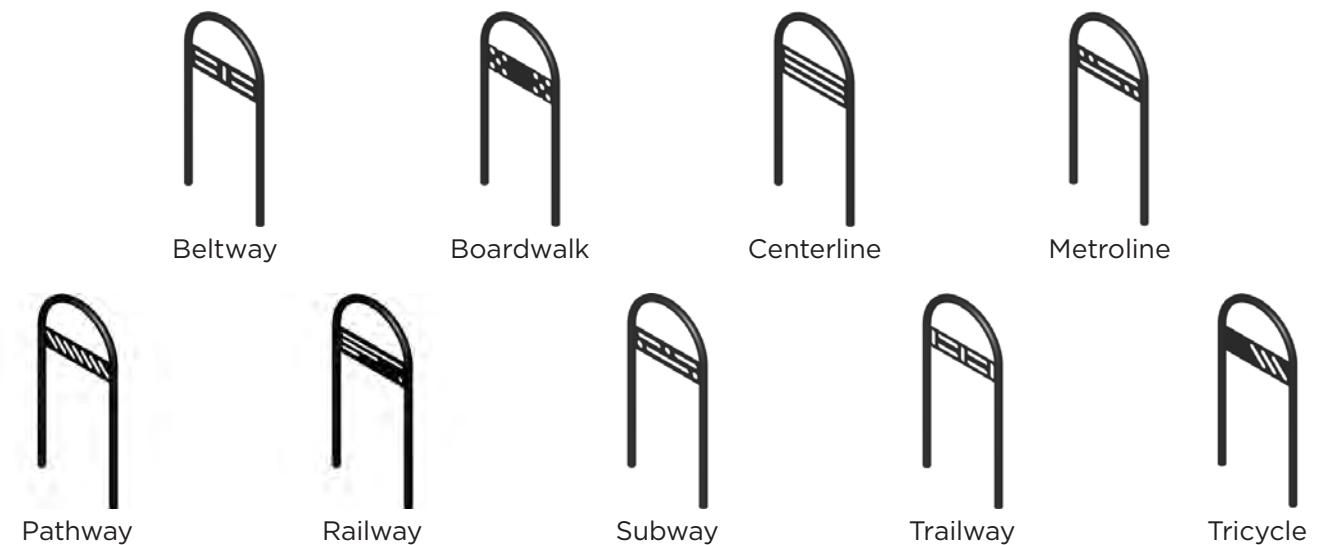
Designed to blend in with modern streetscapes or accent traditional environments, Modern Racks complement any streetscape as decorative urban art to encourage eco-friendly transportation.

Manufactured of heavy gauge Schedule 40 steel pipe with zinc primer TGIC powder coat, these racks are built to withstand urban environments. Choose from the TGIC standard or custom polyester powder coat finishes.

RACK STYLE OPTIONS



RACK STYLE OPTIONS

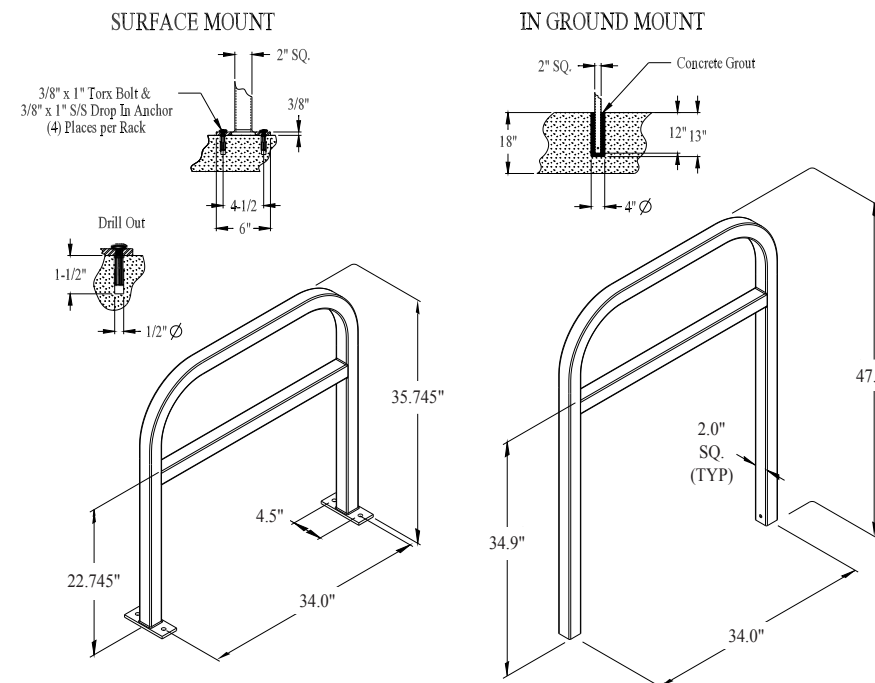


Staple™ Bike Rack

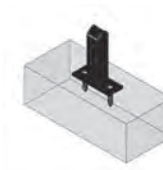
High-Security Bike Rack

CycleSafe Staple™ Bike Racks are the recommended standard for high-vandalism areas, as the 2" square tubing and crossbar provide additional security and allow a bike to be secured by both wheel and frame. Approved by the Association of Pedestrian and Bicyclists Professionals, the Staple Bike Rack meets government standards for Class II short-term bicycle parking.

[Download CAD files](#)



MOUNTING OPTIONS



Surface



Rail



In-Ground

OVERVIEW

- Minimum order of six racks
- Secures two bikes per rack
- Offers uniform superior bike stability, keeping parking area organized and attractive for both users and property managers

TECHNICAL

- Constructed of heavy gauge 2" square steel tubing

SECURITY

- Square tubing is recommended standard for high-vandalism areas
- Offers multiple positions to attach a lock to secure both the wheel and bike frame, achieving two points of contact required for secure parking
- Crossbar recommended for added security

DIMENSIONS

- Racks weigh 25 lbs.

OPTIONS

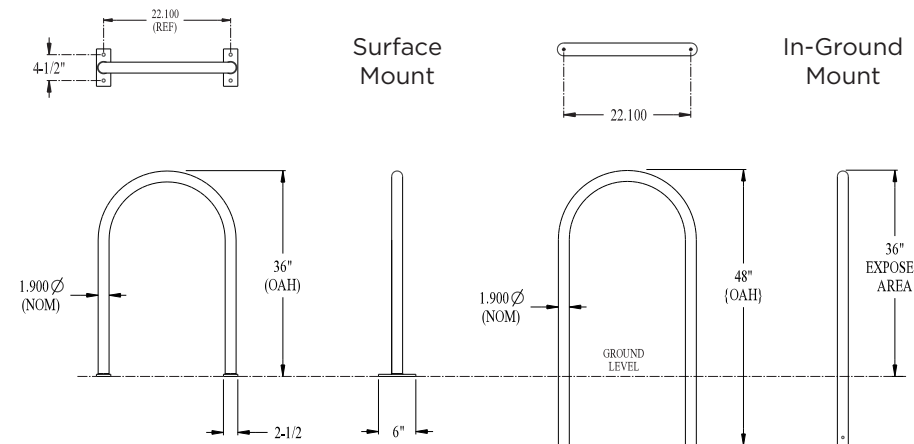
- In-ground, surface, or rail mount
- Rail-mount bike Rack includes three racks for a 6-bike capacity
- Custom TGIC zinc primer powder coat finishes available

Custom U Racks

Ultimate Short-Term Parking

Our custom U Racks are your design canvas to enhance your communities image while promoting cycling. These bike racks are based on the proven design principles of our Bike U Rack with Crossbar. Our custom bike racks offer unique wayfinding or signage systems that also serve the facility managers and cyclists with form and function.

[Download CAD files](#) 



Sizes are standard between the Classic, with Crossbar, Vintage, Modern, Cycle Park and Custom Bike U Racks.

METHODS AVAILABLE

**Past project examples*



Laser Cut*



Water Jet*



Vinyl Decals*

OVERVIEW

- Minimum order of six racks
- Secures two bikes per rack
- Industry standard design for short-term parking
- Offers bike stability, keeping parking area organized and attractive for both users and property managers

TECHNICAL

- Constructed of heavy gauge schedule 40 steel pipe

SECURITY

- Offers multiple positions to attach a lock to secure both the wheel and bike frame, achieving two points of contact required for secure parking
- Crossbar recommended for added security

DIMENSIONS

- Racks weigh 25 lbs.

OPTIONS

- Bike racks with logo as laser cut or outdoor grade vinyl decals
- In-ground, surface or rail mount
- Rail-mount bike rack includes three rack mounting positions for 6-bike capacity
- Custom color available in a durable, maintenance-free TGIC powder coat
- Lead times may vary

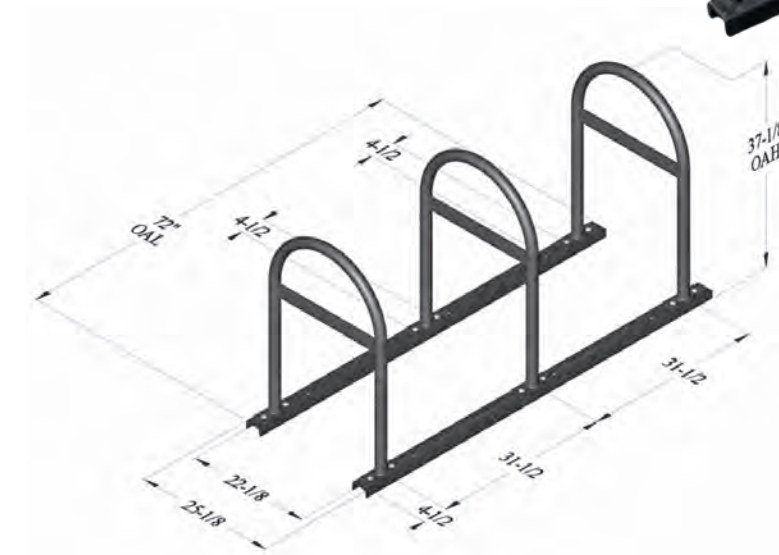
Racks on Rails

Portable Short-Term Parking

The CycleSafe Rail-Mount Bike Rack is a portable, multi-bike parking unit that is perfect for temporary or seasonal use, and can be removed for snow plowing or debris removal. The 6-bike capacity rail-mount bike rack by CycleSafe can be furnished with any combination of classic, vintage, staple, custom or modern surface-mount racks.

[Download CAD files](#) 

Did you know? Racks on Rails are a bike corral solution. See page 38 for more corral solutions.



STYLE OPTIONS



OVERVIEW

- Offers three mounting positions for a total of six bikes parked
- Allows for easy relocation or seasonal removal
- Concrete pad is not required; rails can be placed on any relatively flat surface such as gravel, wood chips, dirt, grass, etc.

TECHNICAL

- Rails are Plastisol coated for extra durability and protection

SECURITY

- May be bolted into place as required with optional additional hardware
- Total weight with racks installed: 125 lbs.

DIMENSIONS

- 37 1/8" H x 72" L x 25 1/8" W (Inverted U Rack)
- 37 1/8" H x 72" L x 40" W (Staple Rack)
- Stainless steel tamper-resistant hardware is included: 3/8" x 1 1/2" stainless steel screws with clamping nuts
- Permanent rail mounting hardware may be ordered on special request

OPTIONS

- Compatible with any of our Inverted U racks, or Staple Racks

WallRack™ FattyRack™

Vertical Parking
Maximum Efficiency

Designed to free up floor space, WallRacks park a bike against a wall or chain link fence to allow easy access and locking of both the bike wheel and frame. U-lock compatible. 45° angle mounting brackets available to increase pedestrian walkways.

[Download CAD files](#) 

Secure vertical storage for commuter bikes with wide fenders or “mud guards.” Easy locking of both the bike wheel and frame. U-lock compatible. Tire channel aligns bike wheel for stability and reduced stress on bike. Stagger installation heights to create compact storage and easy loading of bikes. Optional 45° angle mount available.

[Download CAD files](#) 

FenderRack™

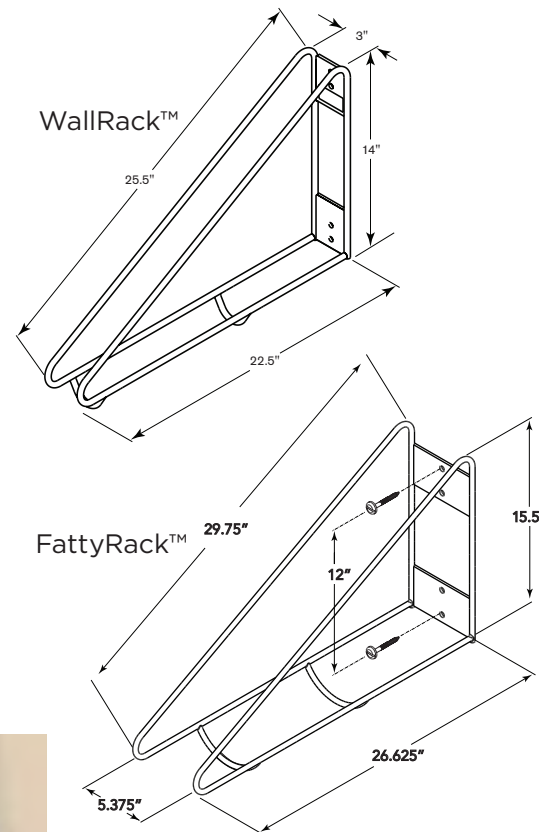
Vertical Parking
Maximum Efficiency

CycleSafe's Original WallRack™ was the first vertically-hanging bike wall rack to effectively store a bike in a simple, space-saving, and economical vertical bike storage rack. This bike-first design cradles the front wheel between two tire supports that do not put pressure on the rim, and also securely holds the bike. Since its introduction over 15 years ago, the WallRack has been the go-to solution for property managers and cyclists who not only want their bike stored securely—but also protected from potential damage.

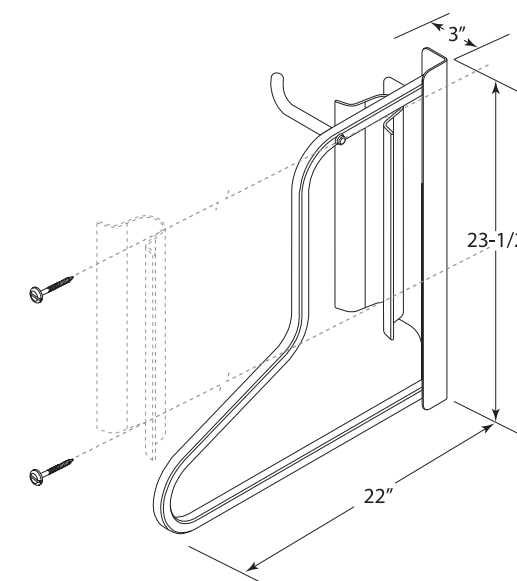
For bikes with tires up to 2 ¼" wide.

Following the popularity of CycleSafe's original WallRack, our latest secure bike parking design is our FattyRack™. Now available to fit and properly store fat tire bikes in a simple, space saving, and economical vertical bike storage rack. Designed for fat tire bikes, the rack can hold regular size tires as well.

For bikes with tires up to 5 ¼" wide.



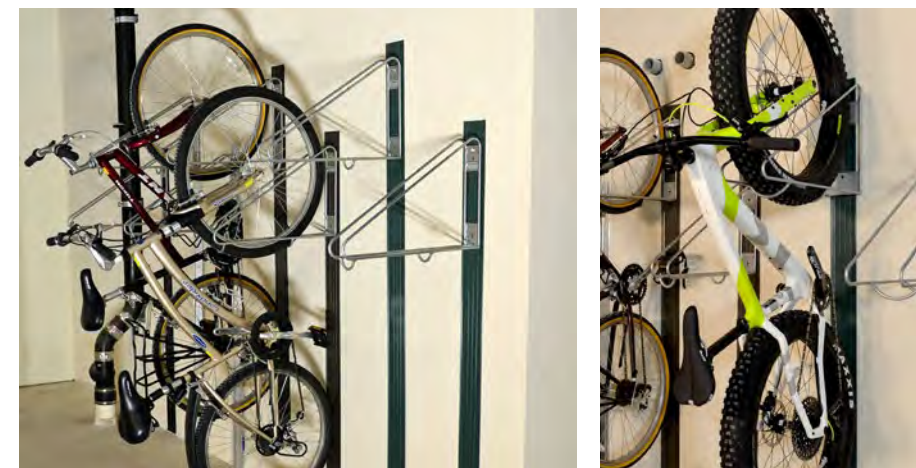
- Black, RAL 9017
- Blue, RAL 5003
- Red, RAL 3020
- Silver, RAL 9003
- Stainless Steel



This vertical bike storage system is space efficient, parking the bike against the wall, which opens up floor space and allows easy accessibility. FenderRack™ provides a secure, economical solution to store commuter bikes with wide fenders or “mud guards.” Suitable for indoor or outdoor use, standard finish is zinc primer black polyester powder coat.

CycleSafe's FenderRack cradles the bike's front wheel supporting the weight of the bike against the vertical surface, allowing the use of a cyclist's lock to secure the frame and wheel of the bike. Common “J” hook style hangers create stress on the bike frame and do not provide security.

Simply roll the bike up to the FenderRack with the bike's rear wheel and engage the bike on the hook to place the bike into the tire guard. This easily allows the use of a variety of locks and ability to attach cyclists' gear.



Quad Hi-Density Rack

Two-Tier Parking

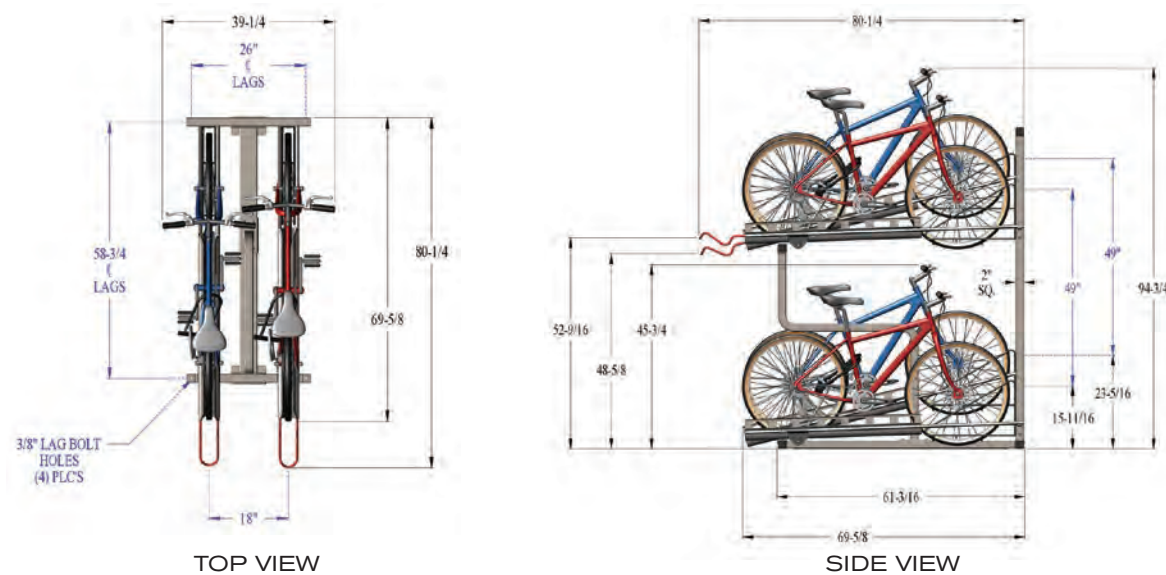
Reduce aisle width and eliminate maintenance and liability concerns associated with movable rack trays. This innovative two-tier bike rack requires less lifting when the wheel is placed in the top channel rather than lifting both a rack tray and full bike.

[Download CAD files](#) 

Our Quad Hi-Density Bike Rack™ is a double-tier bike rack offering space-efficient, two-tier bike parking. Easy to load with innovative wheel guides, bicycles can be locked in place with a U-lock-compatible pivoting lock bar for added security. This heavy-duty lock bar rests out of the way while loading the bike.

Each double-tier bike rack allows two-tier bike parking to securely store four bicycles. The modular design allows for one- or two-sided capacity with multiple configurations. Quad Hi-Density double-tier bike racks are easy to assemble, and constructed with zinc primer TGIC polyester powder coat finish steel tubing and UV resin wheel gutters for lasting durability.

Space efficient with minimum clearance of 96 inches required above. Recommended aisle widths of 72 inches; center-to-center dimensions are 18 inches. Floor anchors are available. This staggered two-tier rack organizes most bikes with a user-friendly compact design.



OctoRack™ Hi-Density Rack

Two-Tier Parking

Large capacity systems can be easily created by placing OctoRacks back-to-back for dual-sided access and side-by-side for extended rows. These racks are easy to assemble and constructed with zinc-primer and TGIC polyester powder coat-finished steel tubing and steel wheel gutters for lasting durability.

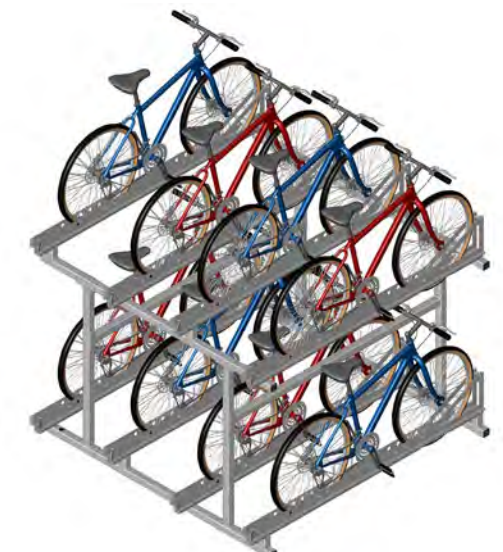
[Download CAD files](#) 



The OctoRack™ is an eight-bike double-tier high-density rack offering space-efficient, two-tier bike parking in covered spaces. Its design frees up access aisles while minimizing maintenance and space concerns associated with movable tray racks.

This horizontal two-tier rack requires less lifting force when only one wheel is placed in the top guide channel rather than lifting the full bike. Then, the cyclist lifts the rear wheel and simply rolls the bike forward until the front wheel drops into a sturdy position in the guide channel notch.

A fixed lock bar and numerous holes along the guide channel accommodate standard U-locks and cable locks for a variety of bike sizes. The guide channel accommodates tire thickness of 30mm - 60mm. Staggered-height channels on each tier provide handlebar clearance during loading and unloading. The rack's 96-inch operating clearance height means the OctoRack can fit in more spaces.



Corrals: Straight Bike Stall

Horizontal Parking
Modular Efficiency

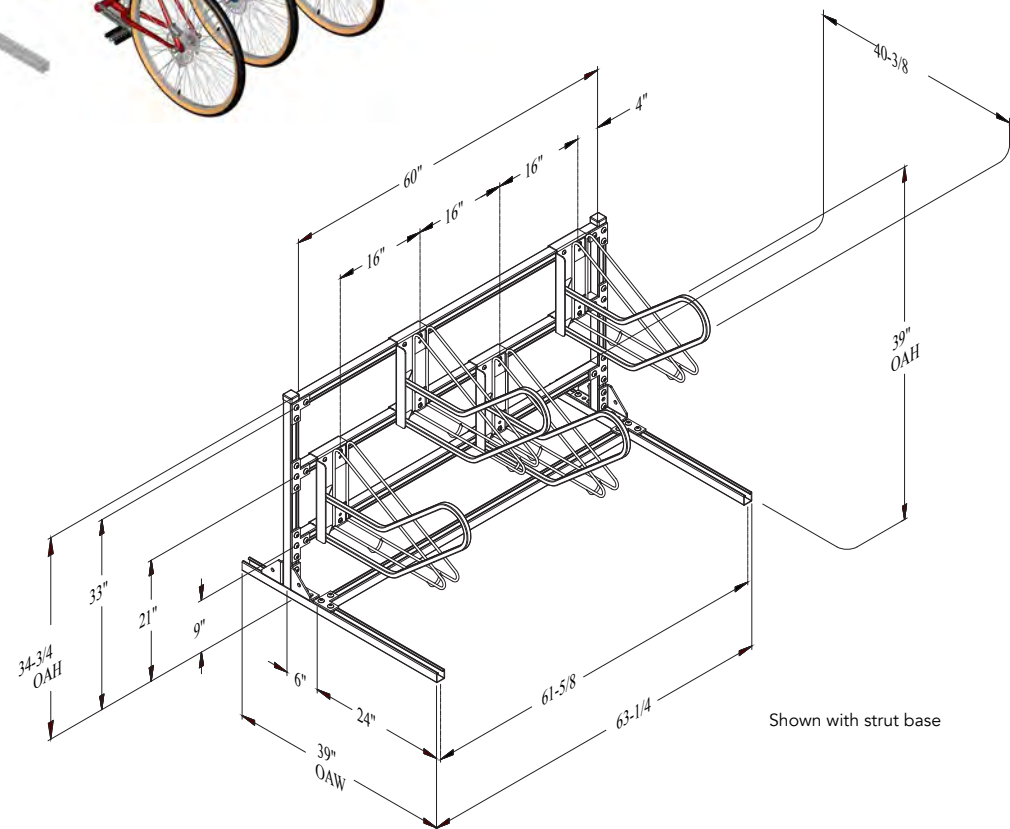
Park four bikes on a single side or eight using both sides. Quick installation. With either post base or strut base, this modular design provides configuration flexibility.

[Download CAD files](#) 



CycleSafe Straight Bike Stalls offer bike parking capacity for four or eight bikes with U-lock compatible locking for both bike wheel and frame. High-low rack positioning provides easy, compact parking. Available in post mount or strut mount, these units come in 5' sections and may be bolted to concrete or an asphalt surface.

Bike Stalls may be specified as double-sided for increased bike capacity as site and programming requirements allow. Frame made of galvanized steel.



Maximize space between pedestrian and traffic lanes using 45-degree bike parking.

[Download CAD files](#) 

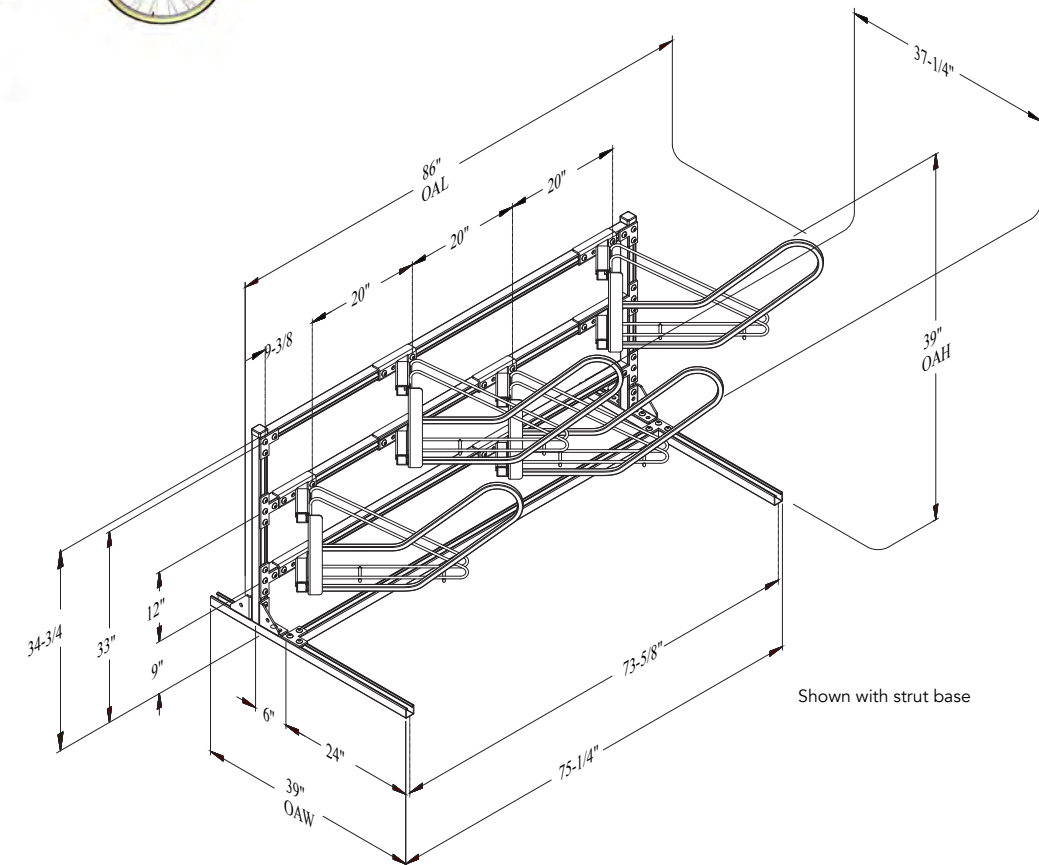
Corrals: Angled Bike Stall

Horizontal Parking
Modular Efficiency



CycleSafe Angled Bike Stalls offer bike parking capacity for four bikes at a 45-degree angle. Angled bike parking maximizes space between pedestrian or traffic lanes. High-low configuration provides easy, compact parking

Available in post mount or strut mount, our angled bike racks are available in 5' sections and may be bolted to a concrete or asphalt surface. Choose right or left angle. Frame made of galvanized steel.



Corrals: Hi-Lo Bike Stall

Horizontal Parking
Modular Efficiency

Secure short-term bike parking for 8 bikes on one side or specify two-sided for 16 bikes.

[Download CAD files](#) 

Ideal for valet bike parking, triathlons, biathlons, mountain bike races, city festivals, concerts, or any event encouraging community cycling.

[Contact a CycleSafe Representative.](#) 

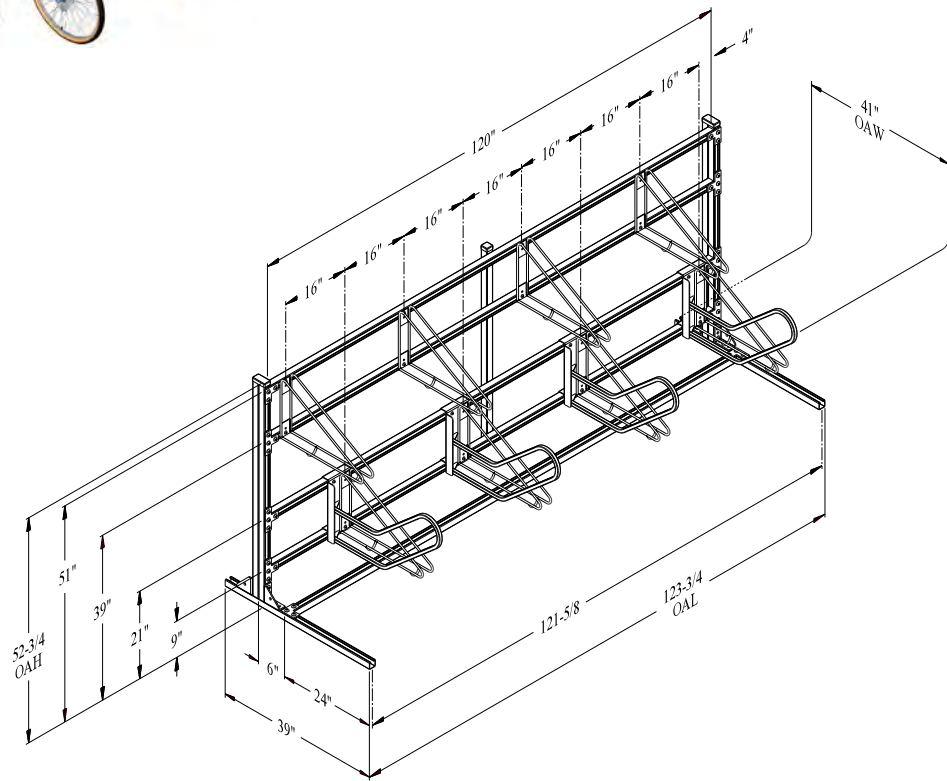
Event Bike Rack

The Ultimate Portable Solution



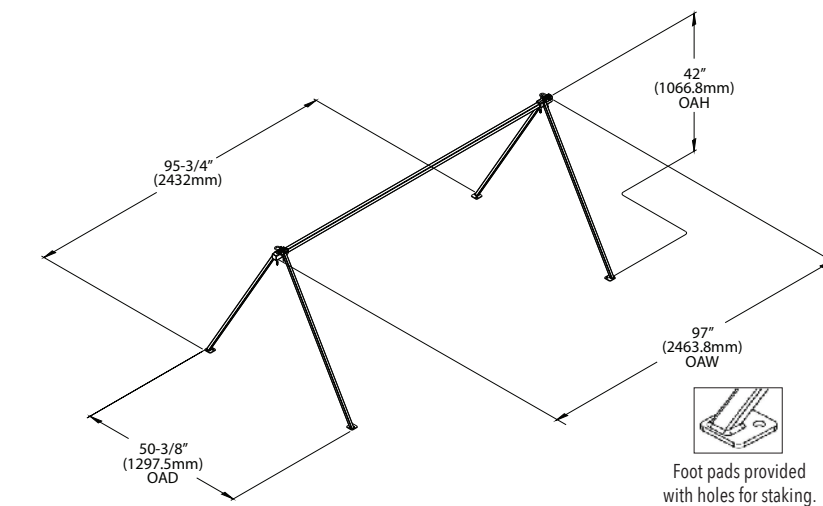
CycleSafe Hi-Lo Bike Stall offers bike parking capacity for eight bikes with U-lock compatible locking for both bike wheel and frame in both high and low positions. Available in post mount or strut mount, these units are available in 10' sections and may be bolted to concrete or an asphalt surface.

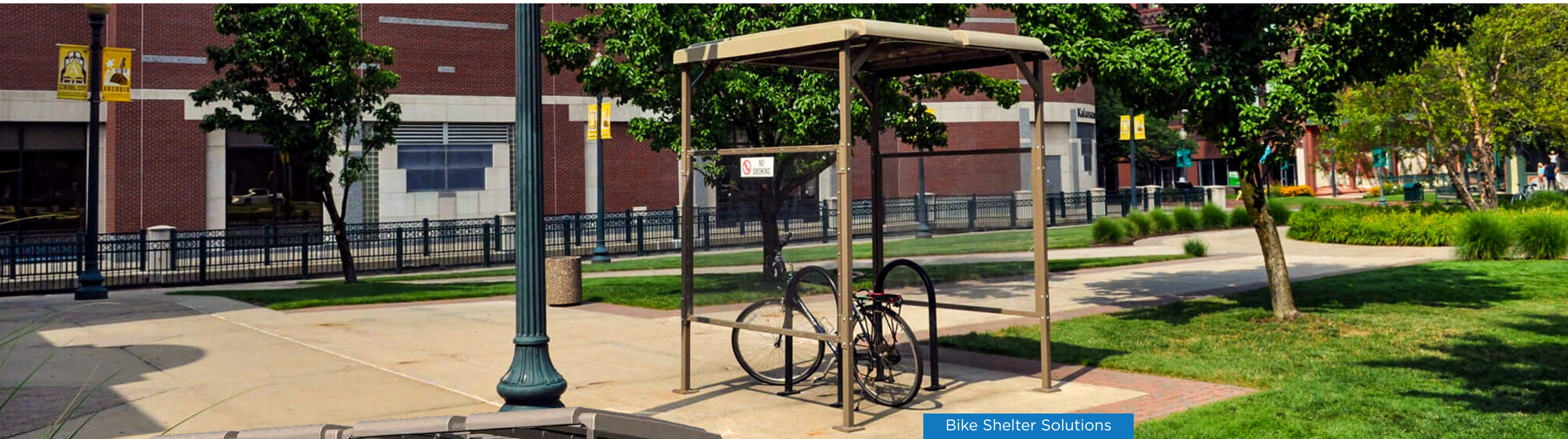
The Hi-Lo Bike Stall may be specified as double-sided for an increased 16-bike capacity, as site and programming requirements allow. The frame is made of galvanized steel.



The Event Bike Rack is the ultimate portable solution for high-capacity event bike parking. This event bike rack accommodates a variety of bikes by resting the saddle horn on the 8' support frame, holding six bikes per section. Rear wheels are elevated when parked. The event bike rack features an interlocking design with modular components that can be easily assembled without tools. Nesting tubing allows multiple Event Bike Racks to be easily connected. The Event Bike Rack can be temporarily chained and locked to nearby fixtures.

Coated with metallic silver TGIC polyester powder coat over a square tubular frame, the event bike rack also comes with foot pads for optional staking for additional stability. Lightweight square tubing allow volunteers to easily handle and transport the rack. Security loops are available for cyclists' locks for unattended security. Identification flags can be specified for easy location of multiple sections or display end panels for advertising.





Bike Shelter Solutions

Our commercial bike shelters provide on-demand covered bike parking with the quality materials and durability CycleSafe products are known for.

Engineered with field-tested materials that have built CycleSafe's reputation for quality bike storage lockers and racks, CycleSafe outdoor bike shelters combine with our commercial bicycle racks to meet the needs of on-demand, Class II mid-level bicycle security with covered protection from the elements.

This flexible series creates an opportunity to design a system to meet covered bike parking capacity and site requirements ranging from two to ten bikes per unit. Our CyclePort™ bike shelters are available in two- or three-top units that can be configured in rows. For bike parking, choose from Hi-Density Quad or OctoRack, space-saving WallRack Stand, or inverted U Racks or Staple Racks. Our bike shelters can be combined with CycleSafe double-tier bike lockers to create bike stations that meet the long-term bike parking needs of cycle commuters and on-demand users.



Long-Term Lockers with High-Density Short-Term Covered Racks

Which Shelter Solution is Right for You?

CyclePort™ Bike Shelter



Overview

- Expandable
- Configurable from 4 to 24 bikes
- Customizable
- Up to three sides available
- Multiple rack style options

Finish

- Sandstone, RAL 1019
- Custom colors available at an additional cost

Compact Bike Shelter



Overview

- Expandable
- Space Saving
- Customizable
- Up to three sides available
- Vertical bike parking option

Finish

- Sandstone, RAL 1019
- Custom colors available at an additional cost

Pocket Bike Shelter



Overview

- Space Saving
- Customizable
- Horizontal bike parking option

Finish

- Sandstone, RAL 1019
- Custom colors available at an additional cost

Bike Station



Overview

- Expandable
- Specialty Bike Capacity
- Customizable
- Multiple rack style options

Finish

- Sandstone, RAL 1019
- Custom colors available at an additional cost

Enclosed Shelters

Polycarbonate side panels are available on CyclePort™ Shelters, Compact Shelters, and Bike Stations. Side panels provide additional protection or opportunities for promotional graphics or transit communication. Comes standard with our taupe powder coat frame with a sandstone compression-molded top. Custom colors are available to match existing site and architectural features.



CyclePort™ Bike Shelter

Modular Shelter System

Full-size modular bicycle shelter system designed to blend with traditional or modern environments to provide organized, covered storage of bikes.

[Download CAD files](#)



The CyclePort™ Shelter features a sandstone polyurethane finish on a compression-molded top contoured for runoff. Support frames consist of heavy gauge steel tubing protected with polyester powder coat taupe finish or custom colors upon request. Polycarbonate side panels can be specified for additional protection from the elements with options for signage or graphic panels.

Modular possibilities with CycleSafe shelters are infinite. A CyclePort Bike Shelter covers two bikes per top panel and can be outfitted with U bike racks or any combination of our vertical bike rack systems. Double the storage possibilities to four bikes per panel with our Quad Hi-Density Bike Rack.



2-Canopy unit
(2) U Racks,
4-bike capacity



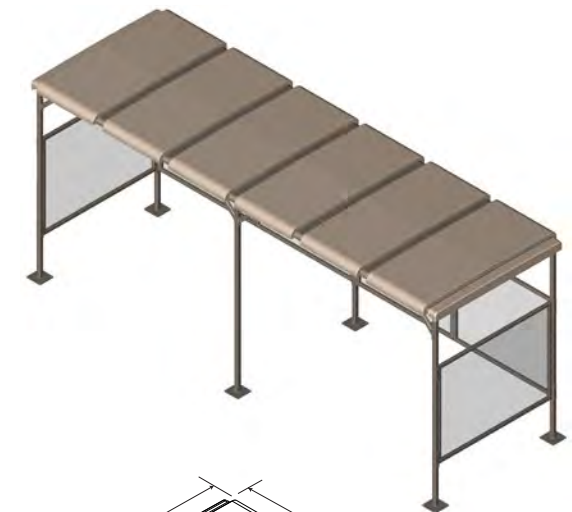
2-Canopy unit
(4) Wall Racks,
4-bike capacity



2-Canopy unit
(2) High Density
Racks,
8-bike capacity



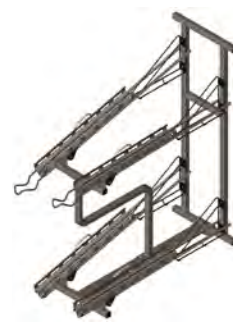
6-Canopy unit
12-24 bike
capacity



RACK OPTIONS

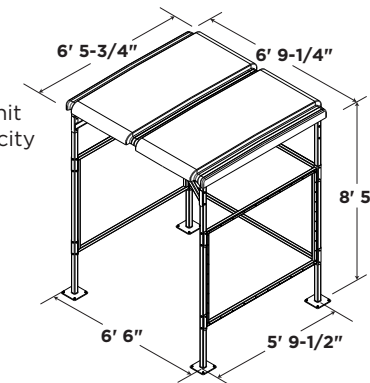


Wall Rack
Stand

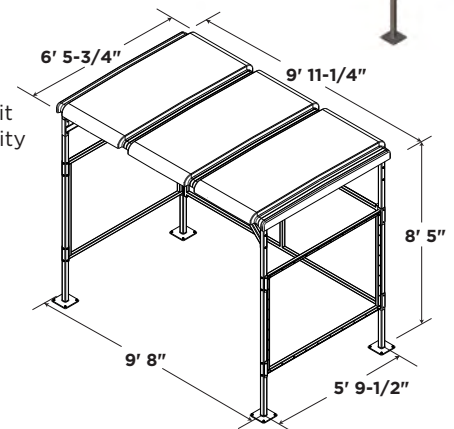


Quad Rack
*Doubles Bike
Parking Capacity

2-Canopy unit
4-bike capacity



3-Canopy unit
6-bike capacity

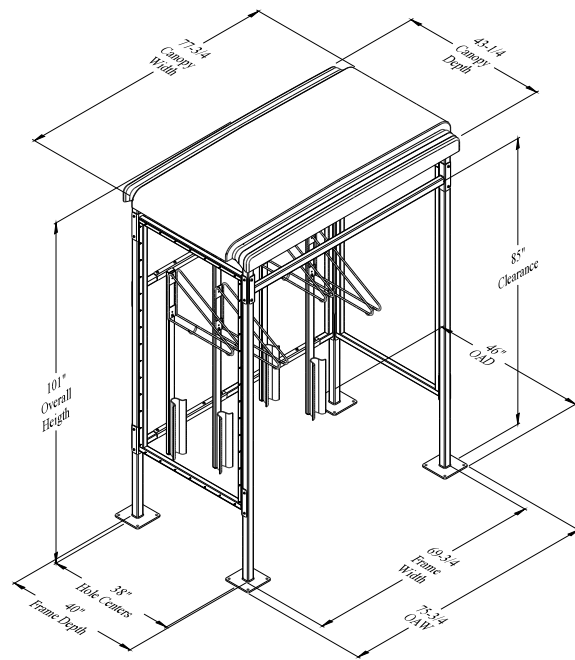


Compact Bike Shelter

Compact Modular System

The Compact Shelter™ offers the design features of the CyclePort Bike Shelter with a narrower footprint.

[Download CAD files](#) 



The Compact Shelter™ modern design and sandstone finish will blend with any built environment or may be specified with a custom finish to meet architectural or site elements.

The Compact Bike Shelter is constructed with a compression-molded top for durability with a sandstone, baked polyurethane finish, contoured for runoff and built for decades of use. Structural frames provide support with heavy-gauge steel tubing with a taupe powder coat finish. Custom colors upon request.

The Compact Bike Shelter pairs perfectly with our WallRack Frame to maximize bike parking capacity to fit up to four bikes.



Pocket Bike Shelter

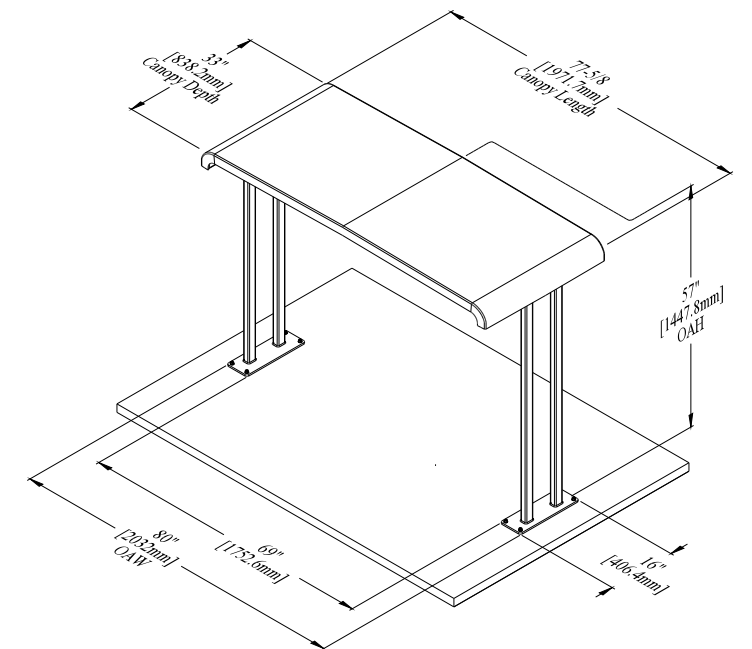
The Mini Shelter System

Ideal for parks, schools, or pedestrian areas to provide low-profile covered bicycle parking. Increases weather protection for bike racks to encourage use. Custom colors available to match architectural or site elements.

[Download CAD files](#) 

The Pocket Shelter™ is our mini-version of the Compact Shelter, suitable for providing coverage for existing or new locations of Inverted U Racks. The low-profile of the Pocket Bike Shelter adds weather protection without dominating other architectural elements.

Manufactured of the same quality materials as CycleSafe products, with dependable materials and finishes that will last for decades, not years.



Bike Stations

The Ultimate Modular System
Digital Access Capabilities

The most customizable system to fit your space and requirements.

Contact a CycleSafe Representative. 

Bike Stations combine our CyclePort™ Bike Shelter system with our ProPark® or EcoPark™ Bicycle Lockers to meet long-term and short-term parking needs, from the dedicated cycle commuter to the on-demand user.

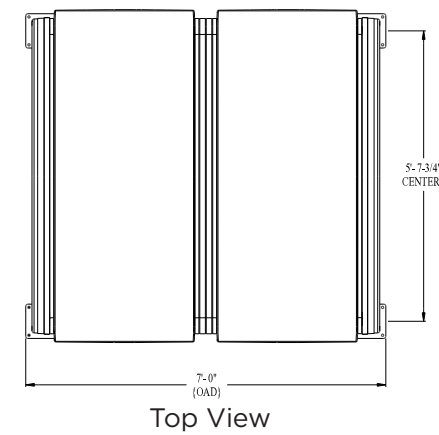
Bike Stations are modular to allow flexibility with types of bike parking. Expandable capacity for up to 56 bikes, the bike station offers customizable configurations that can fit any space and code requirement.

Graphic Display Panels can be added for rentable ad space, way-finding info, logos or program information to promote and encourage membership and use.

Contact a CycleSafe Representative to develop a bike parking plan that meets the needs of your site and budget.



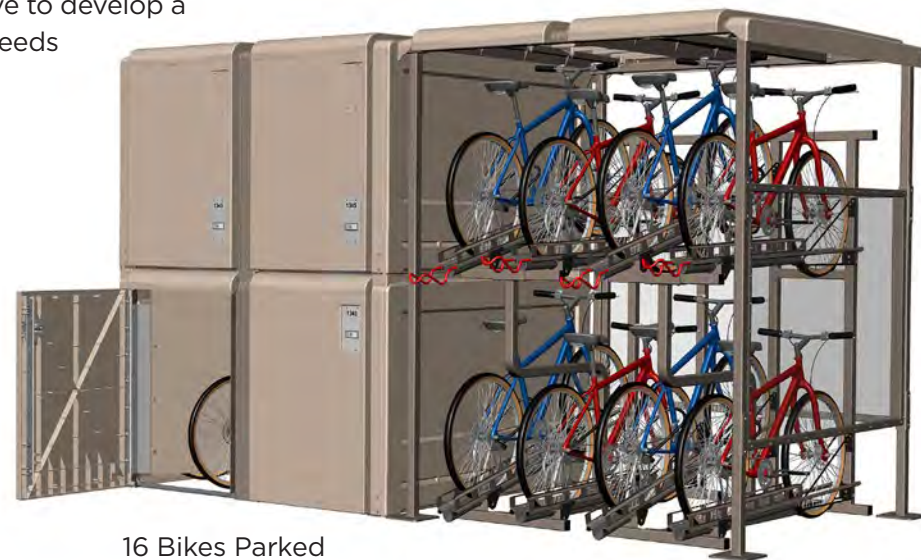
12 Bikes Parked



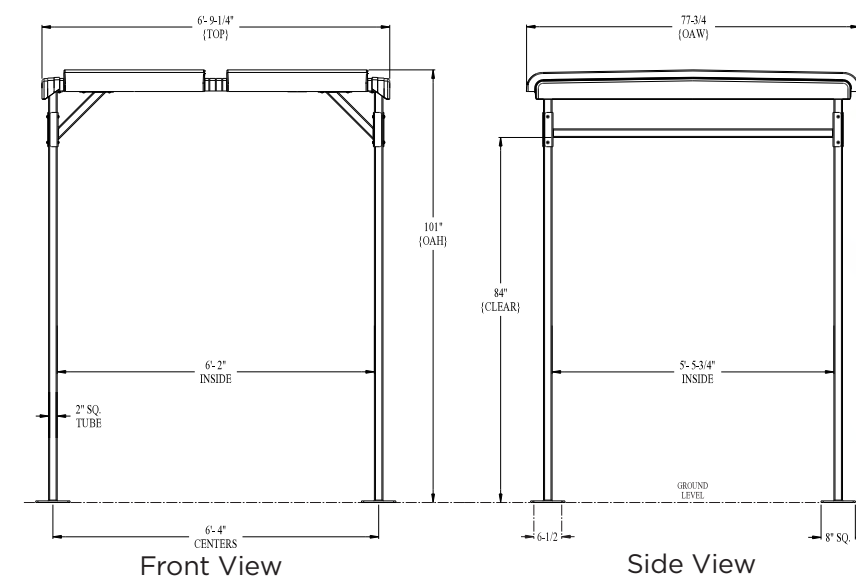
Top View



12 Bikes Parked



16 Bikes Parked

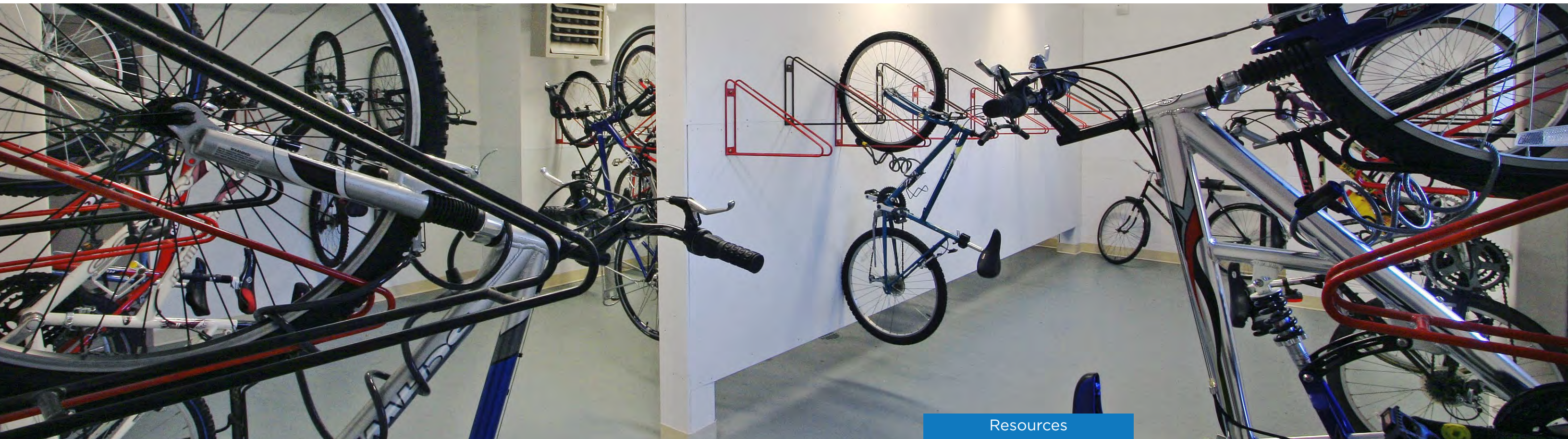


Front View

Side View



8 Bikes Parked



Resources

We have the information to help you find the right bike parking product or service. Click one of the topics listed below to get started.

Bike Room Planning

A bike room in an office building, parking garage, apartment complex or college dormitory is a great way to add secure indoor bicycle storage. The right bike room layout can ensure bike parking is easy, safe, and secure.

[Bike room design guidelines and recommendations](#)

[Contact a Bike Room Specialist](#)

Locker Selection Matrix & Planning

To help with your locker selection and planning:

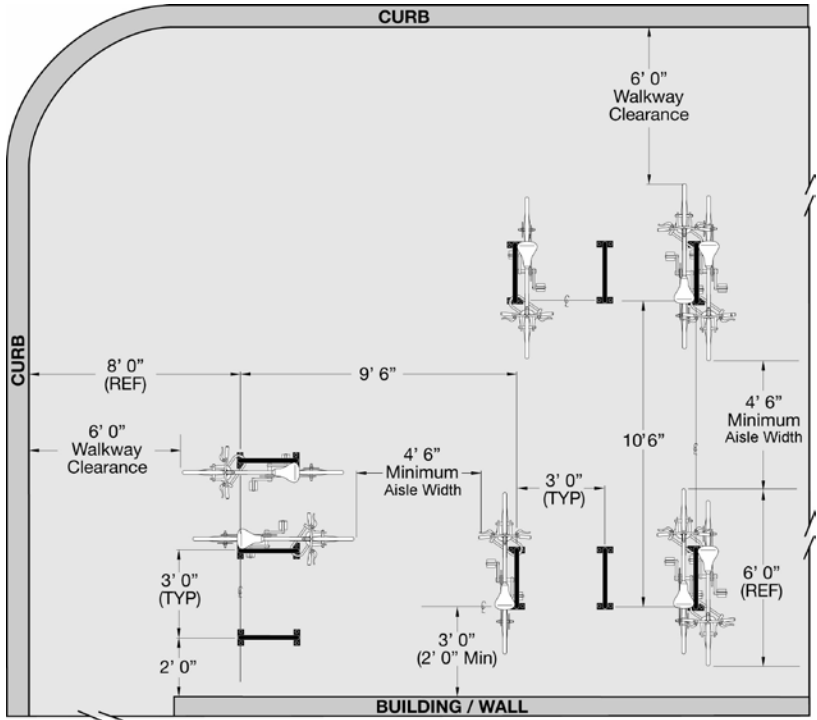
[CycleSafe Locker Selection Matrix](#)

[CycleSafe Locker Site Planning Guide](#)

Bike Station Planning

Contact a CycleSafe Representative to develop a bike parking plan that meets the needs of your site or user demands and budget.

[Contact a CycleSafe Representative](#)



Our Promise

At CycleSafe, we promise to always sweat the small stuff, paying attention to every last detail so our products not only meet your needs, but exceed your expectations. We will always push the boundaries, looking for ways to make things better...for bike storage, for you, and for the communities we live in. We will deliver innovative solutions that are not only durable, but also sustainable; that are as easy on the eyes as they are to use and maintain; that are cost-effective, community-minded, and quickly-delivered. We will make the best bike storage solution you've ever seen, and the last one you'll ever need. We promise.

