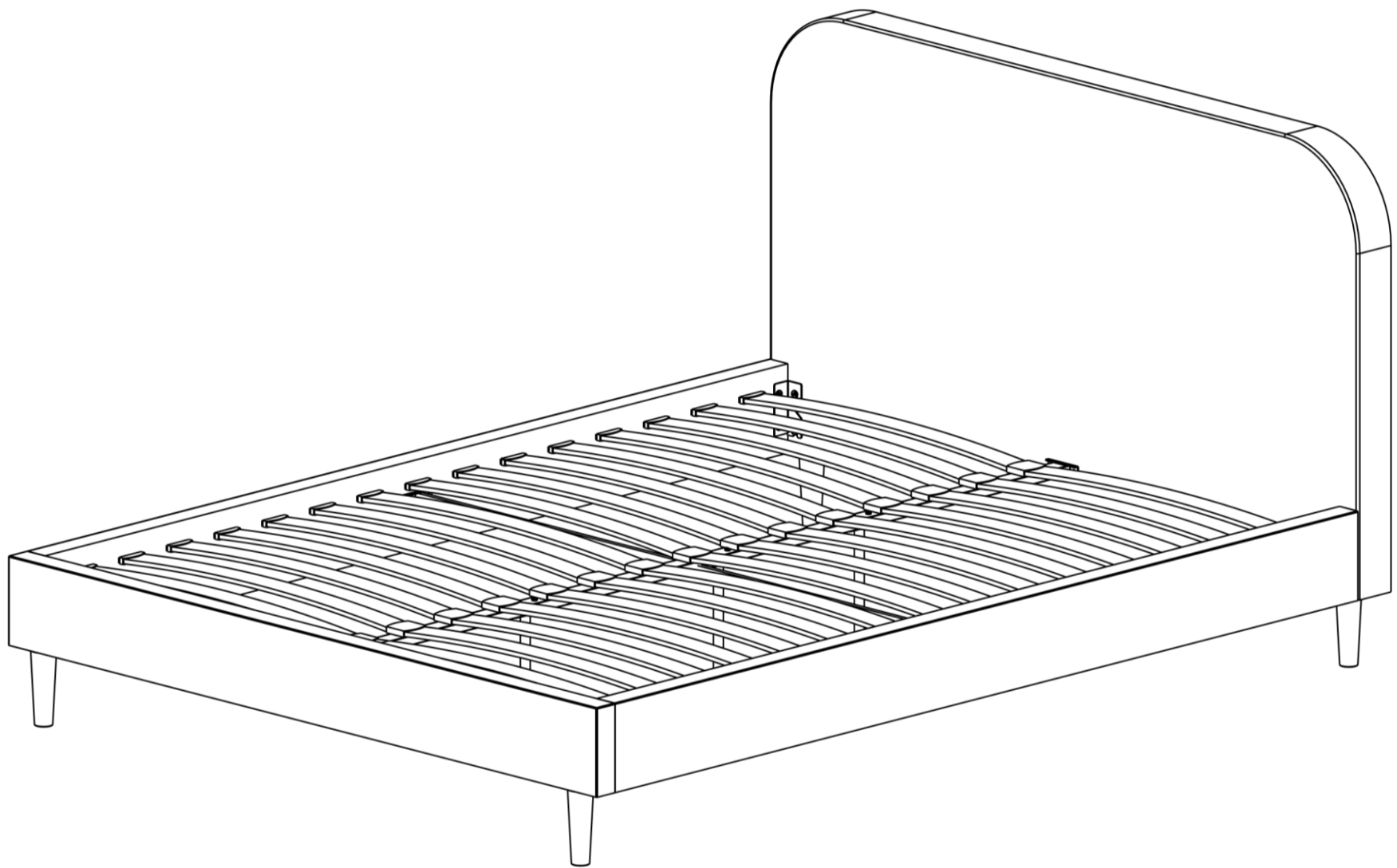
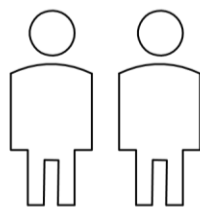


Ascot Bed Frame

Single/Double/King



Up to 2 hours
assembly time



Two person
assembly

Important

Assembly **T**ip

Before you begin, it's best to identify all of the parts and fittings to build your bed frame. We advise laying these out on the floor to check you have everything, and to familiarise yourself with all of the parts and fittings before building.

Top **T**ip

We recommend that you build your new bed frame in the room you'd like it to be located. This will help prevent any risk of damage to the frame whilst moving it.

Safety **a**nd **C**are

It's important to ensure children and animals are kept away from the assembly area, as there are small components used in this bed frame which could present a choking hazard. All plastic and wrapping materials should also be kept away from children and animals to prevent any risk of suffocation.

Help and **S**upport

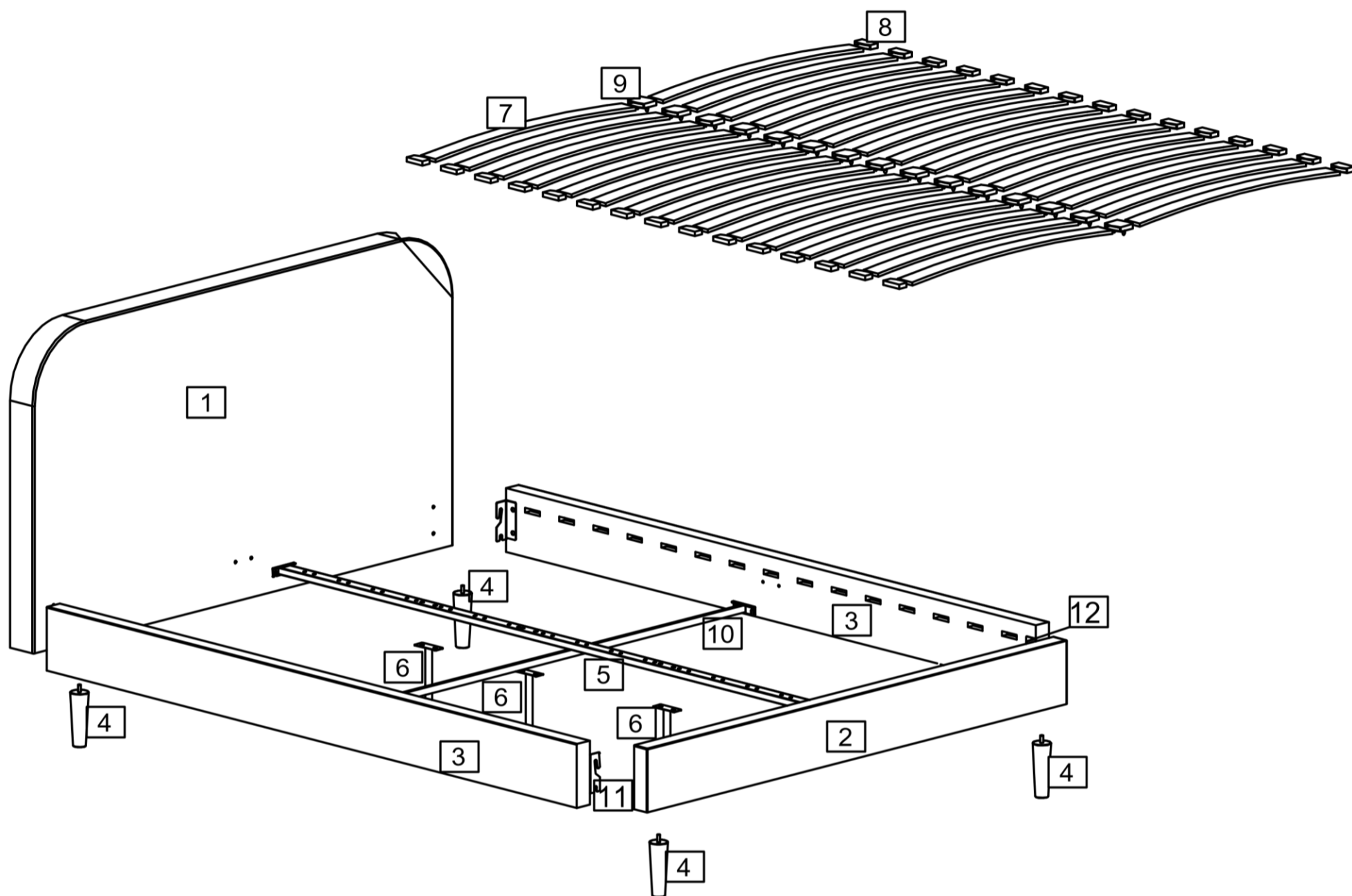
Please contact our customer service team on 0113 519 0311 if you have any questions or issues with your purchase.

Recycling

Please ensure that packaging is disposed of in a safe and environmentally friendly way, and recycle where possible. Please keep your assembly instructions safe to refer back to in the future.

Parts

Before you begin building your bed frame, please take a moment to read through the instructions and make sure that you have all the relevant parts listed on the parts check list.



Parts Check List






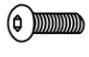


No.	Parts List	Qty	Box No	No.	Parts List	Qty	Box No
1	Headboard	1pc	Box 1	6	Central Support Leg	3pcs	Box 2
2	Footboard	1pc	Box 2	7	Slat Double/King	26/30pcs	Box 2
3	Side Rail	2pcs	Box 2	8	Side Cap Double/King	26/30pcs+1pc extra	Box 2
4	Leg	4pcs	Box 2	9	Centre Slat Cap Double/King	13/15pcs+1pc extra	Box 2
5	Central Support Rail	1pc	Box 2	10	Horizontal Support Rail	1pc	Box 2

Pre-assembled Parts Check List



11	Angle Iron Bracket -LH	2pcs	Box 2	12	Angle Iron Bracket -RH	2pcs	Box 2
----	------------------------	------	-------	----	------------------------	------	-------

Fittings

Please check you have all the fittings listed below with your product.

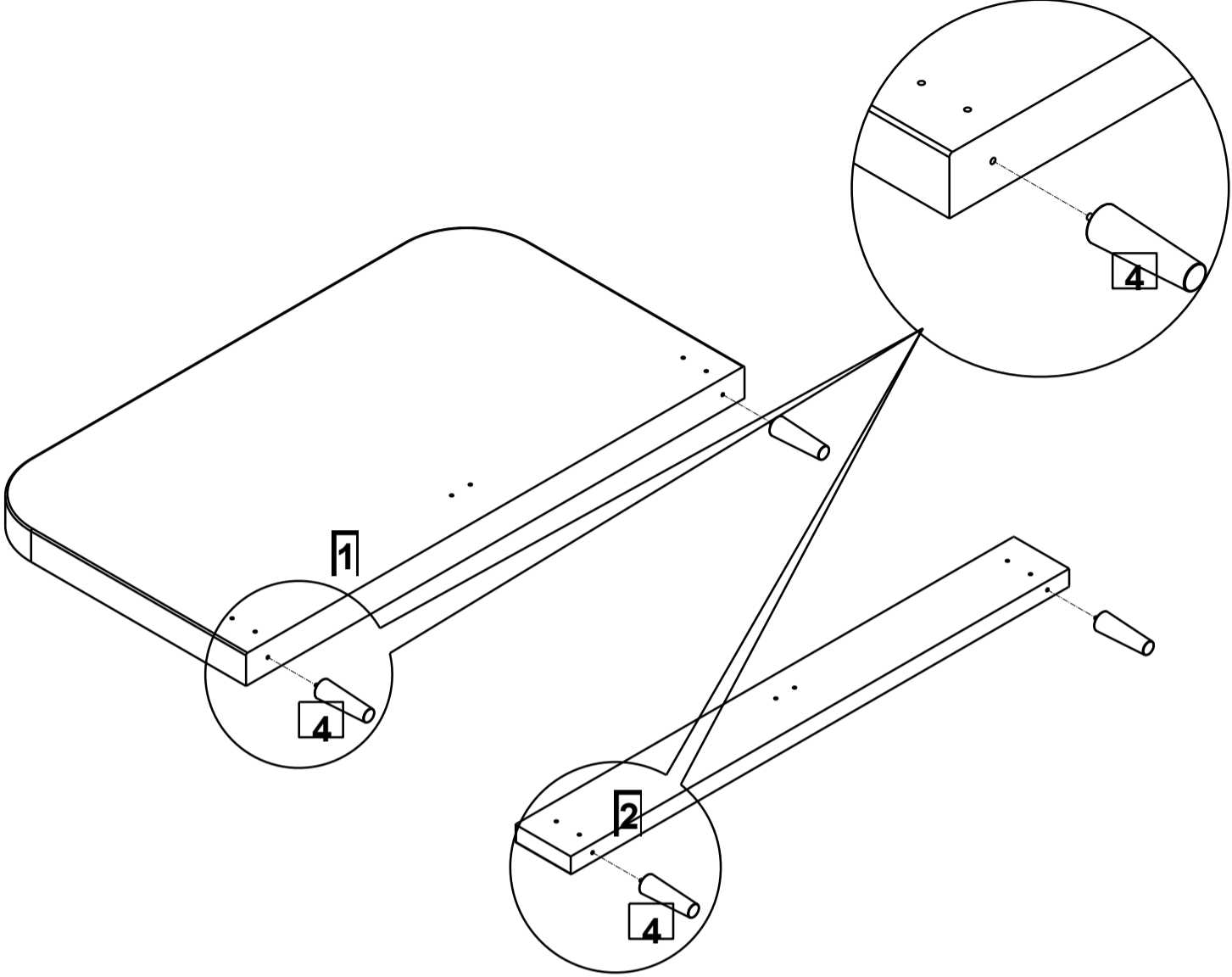
 A M8 40mm Bolt 8pcs+1 extra	 B M6 15mm Bolt 6pcs	 C M6 T NUT 15mm 6pcs	 D Spring Washer 8pcs+1 extra	 E Flat Washer 8pcs+1 extra
 F M6 25mm Bolt 8pcs	 G M5 Allen Key 1pc	 H M4 Allen Key 2pcs		

Pre-assembled Fittings



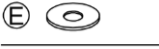

 I M8 25mm Bolt 8pcs	 E Flat Washer 8pcs
--	---

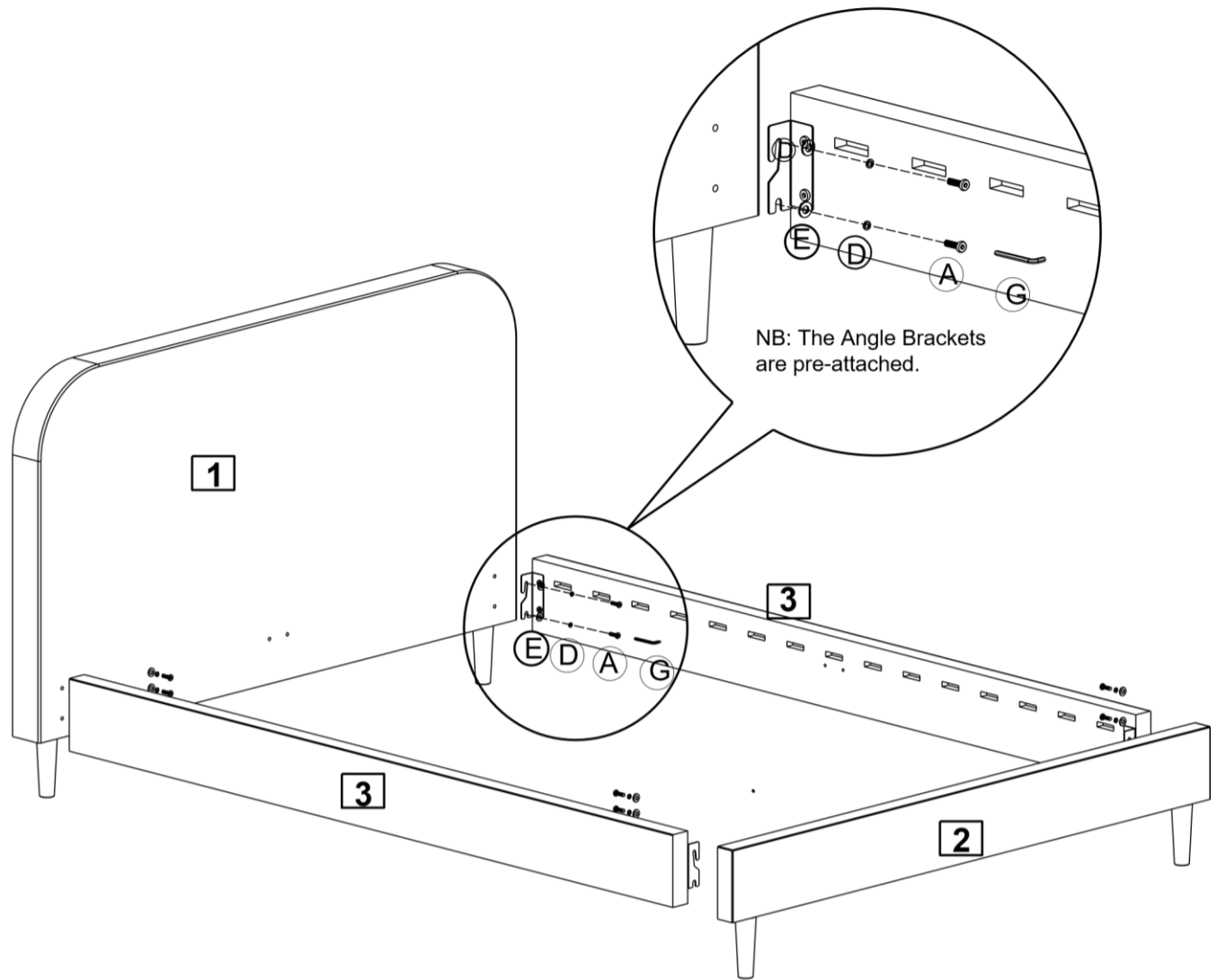
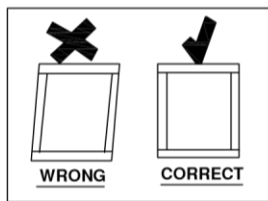
NB: there are additional spare Fittings included within the Fitting pack

Step 1: Screwing the Legs to the Headboard & Footboard



Step 2: Attaching the Side Rails to the Headboard and Footboard

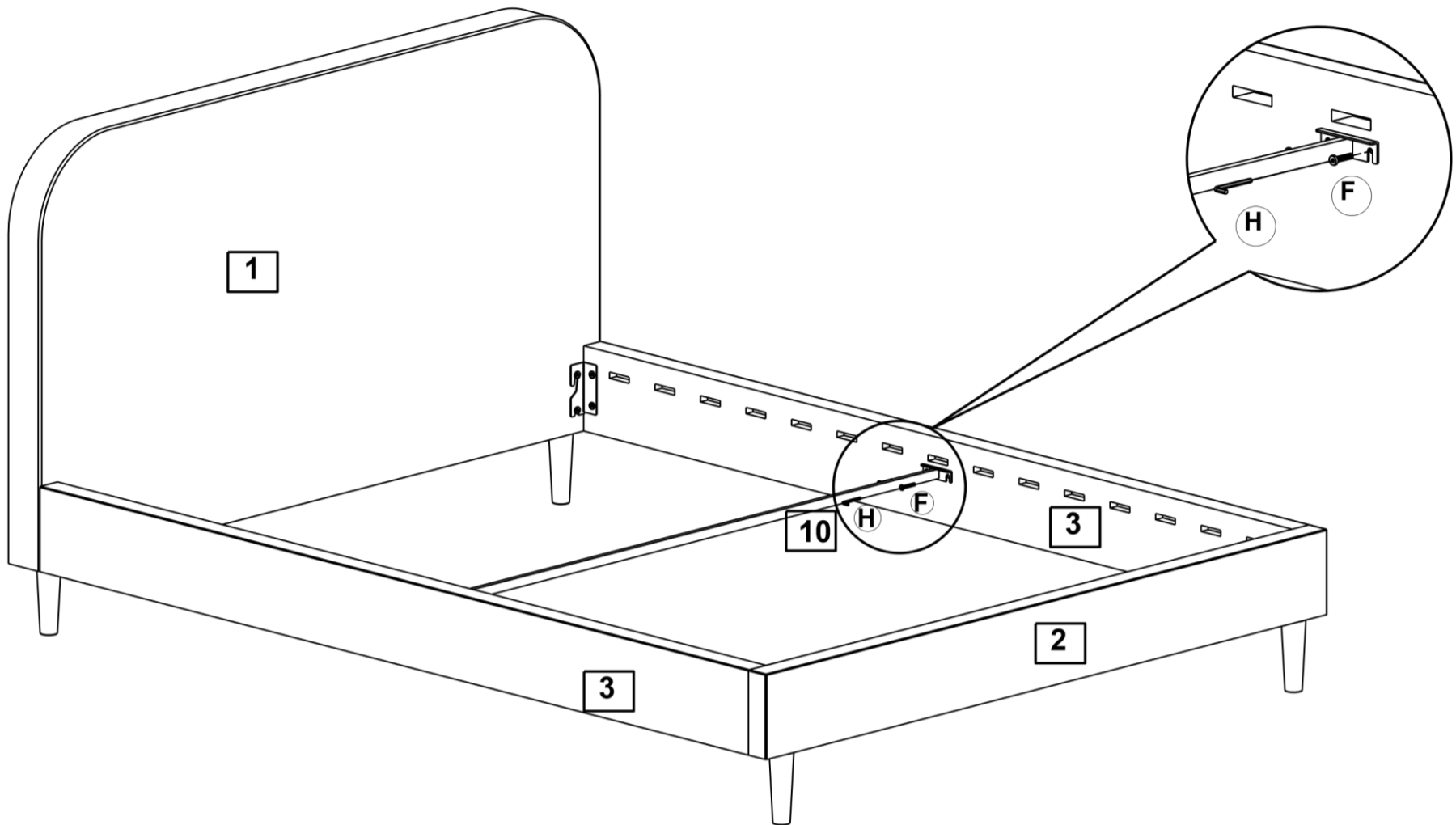
- NB:  Before tightening the bolts, please ensure the bed frame is square
8pcs
-  8pcs
-  8pcs
-  1pc






Step 3: Attaching the Horizontal Support Rail to the Side Rails

Ⓕ 4pcs

Ⓖ 1pc

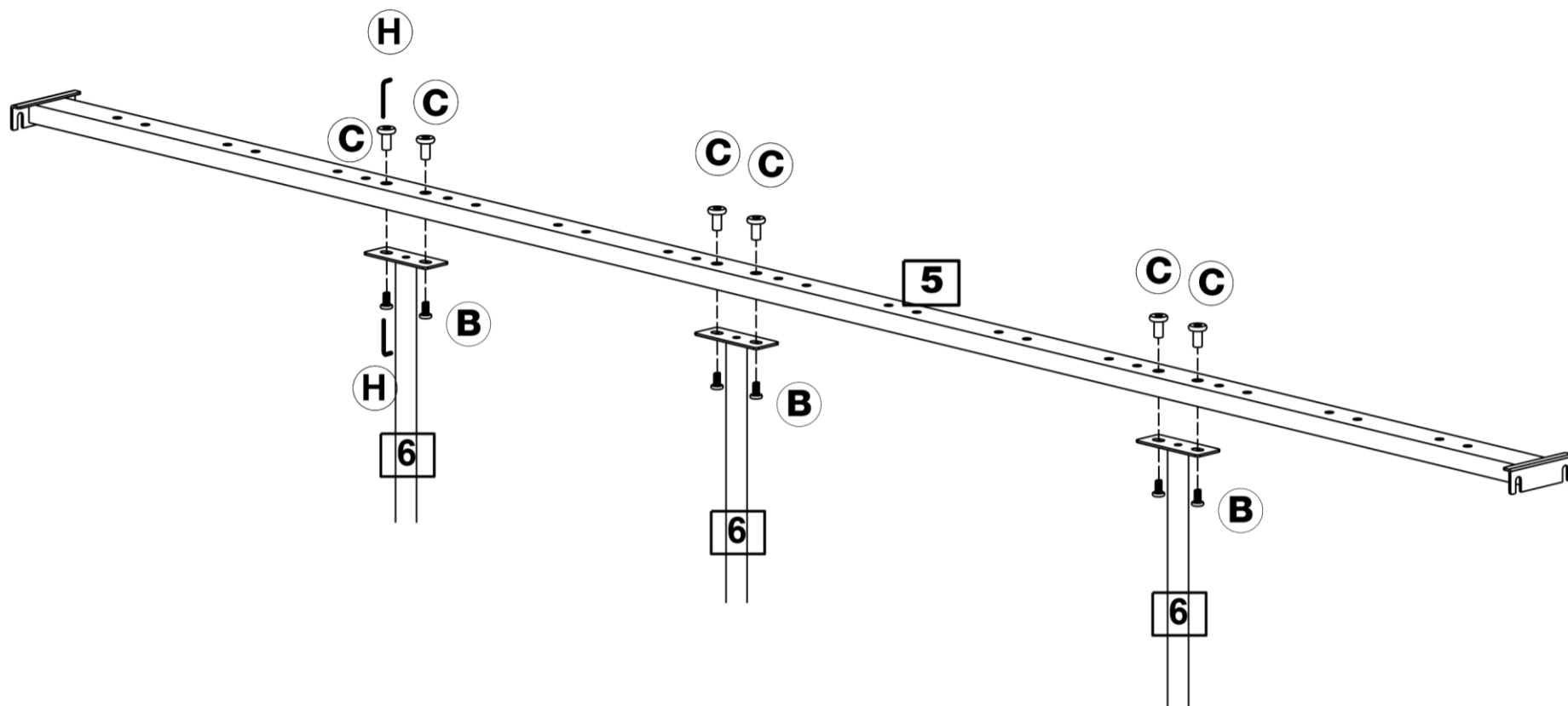


Step 4: Attaching the Central Support Legs to the Central Support Rail

- Ⓑ  _____
- Ⓒ  _____
- Ⓓ  2pcs

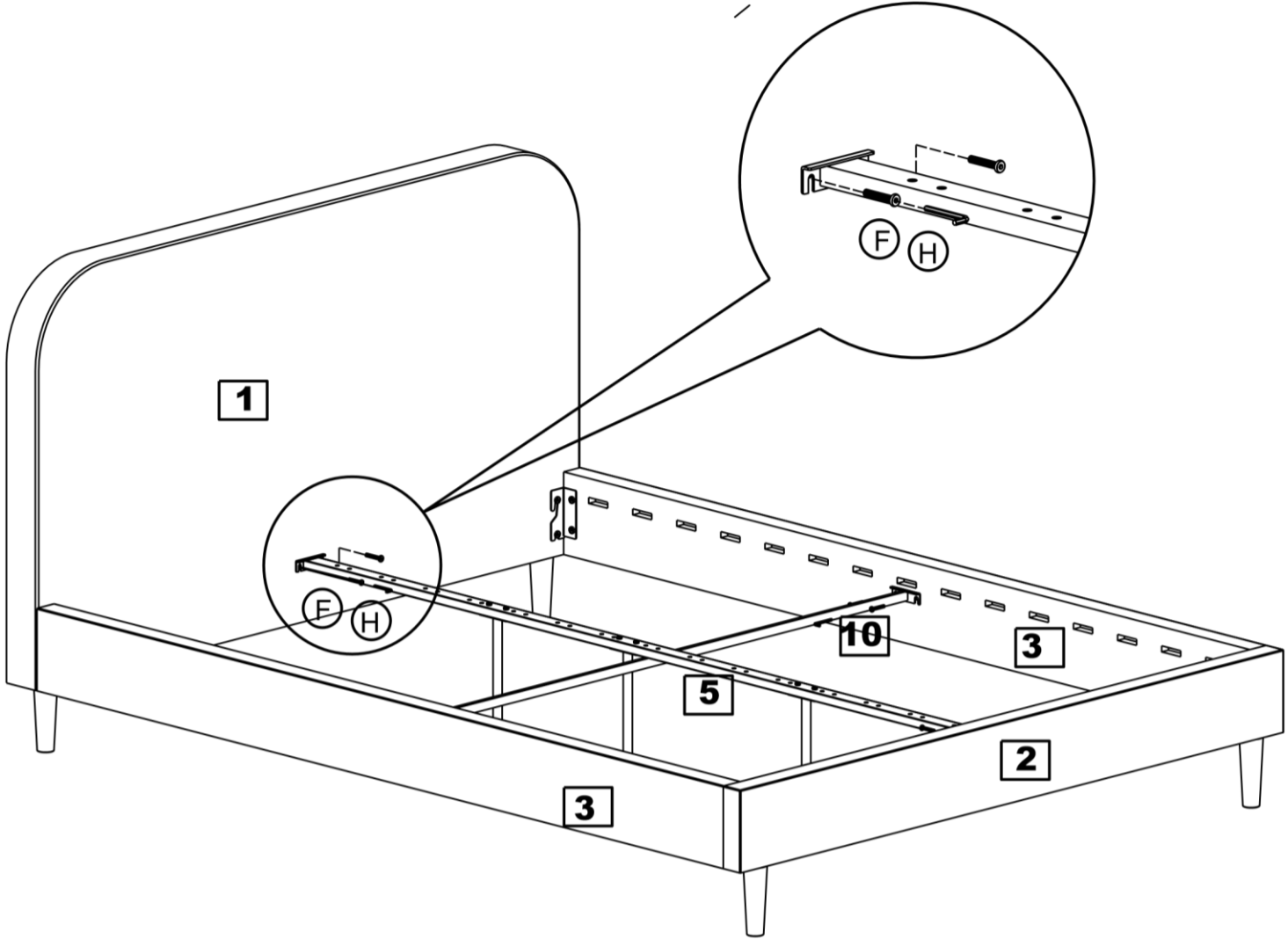
6pcs

6pcs



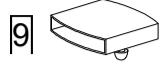
Step 5: Attaching the Central Support Rail to the Headboard & Footboard

1pc

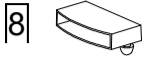


4pcs

Step 6: Attaching the Slat Caps & Slats to the Bed Frame

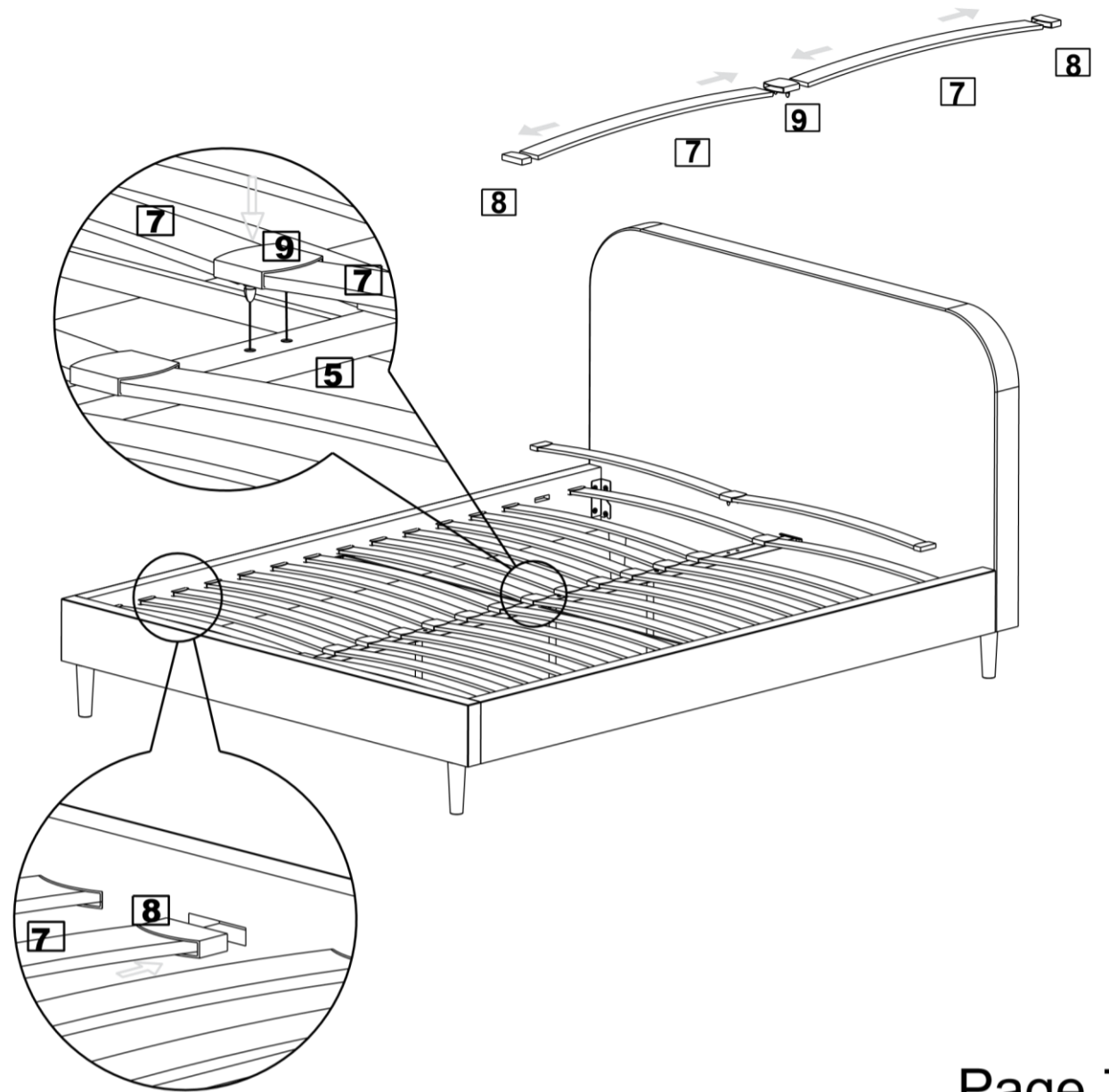


Centre Slat Caps Double/King 13/15 pcs



Side Slat Caps Double/King 26/30 pcs

It is recommended to slot the Side Slat Caps into position before pushing down on the Centre Slat Caps. Push down firmly on the Centre Slat Caps into the predrilled holes on the Central Support Rail.



Care and Maintenance

Here are some good tips to keep your new bed frame in tip-top condition.

Cleaning

To clean your new bed frame, we advise using a damp cloth if the fabric is dusty or a low suction vacuum. Do not use abrasive chemicals or bleach as this may damage the product.

Checking and Moving

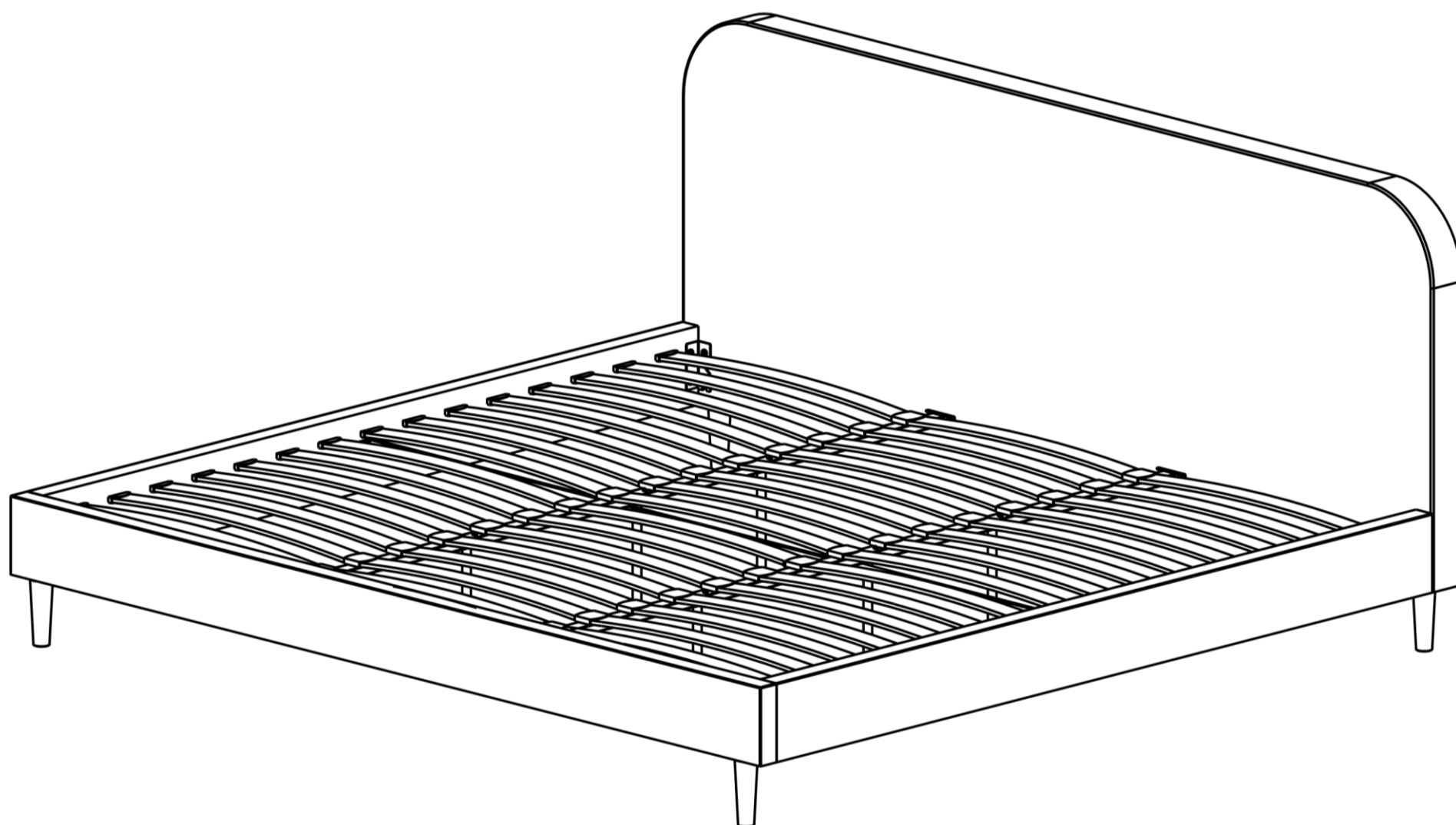
Periodically, we recommend you check that the screws and fixtures haven't become loose over time. To move your bed frame, we recommend lifting it where possible, as dragging or pushing it could cause damage to the legs or flooring.

Fabric

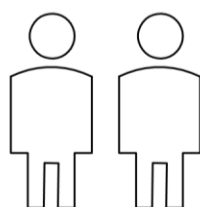
Please note, depending on the lighting, positioning and surroundings of your room, the shade of the fabric will appear differently. Over a period of time, the fabric may also lighten or fade slightly due to light exposure.

Ascot Bed Frame

Super King



Up to 2 hours
assembly time



Two person
assembly

Important

Assembly **T**ip

Before you begin, it's best to identify all of the parts and fittings to build your bed frame. We advise laying these out on the floor to check you have everything, and to familiarise yourself with all of the parts and fittings before building.

Top **T**ip

We recommend that you build your new bed frame in the room you'd like it to be located. This will help prevent any risk of damage to the frame whilst moving it.

Safety **a**nd **C**are

It's important to ensure children and animals are kept away from the assembly area, as there are small components used in this bed frame which could present a choking hazard. All plastic and wrapping materials should also be kept away from children and animals to prevent any risk of suffocation.

Help and **S**upport

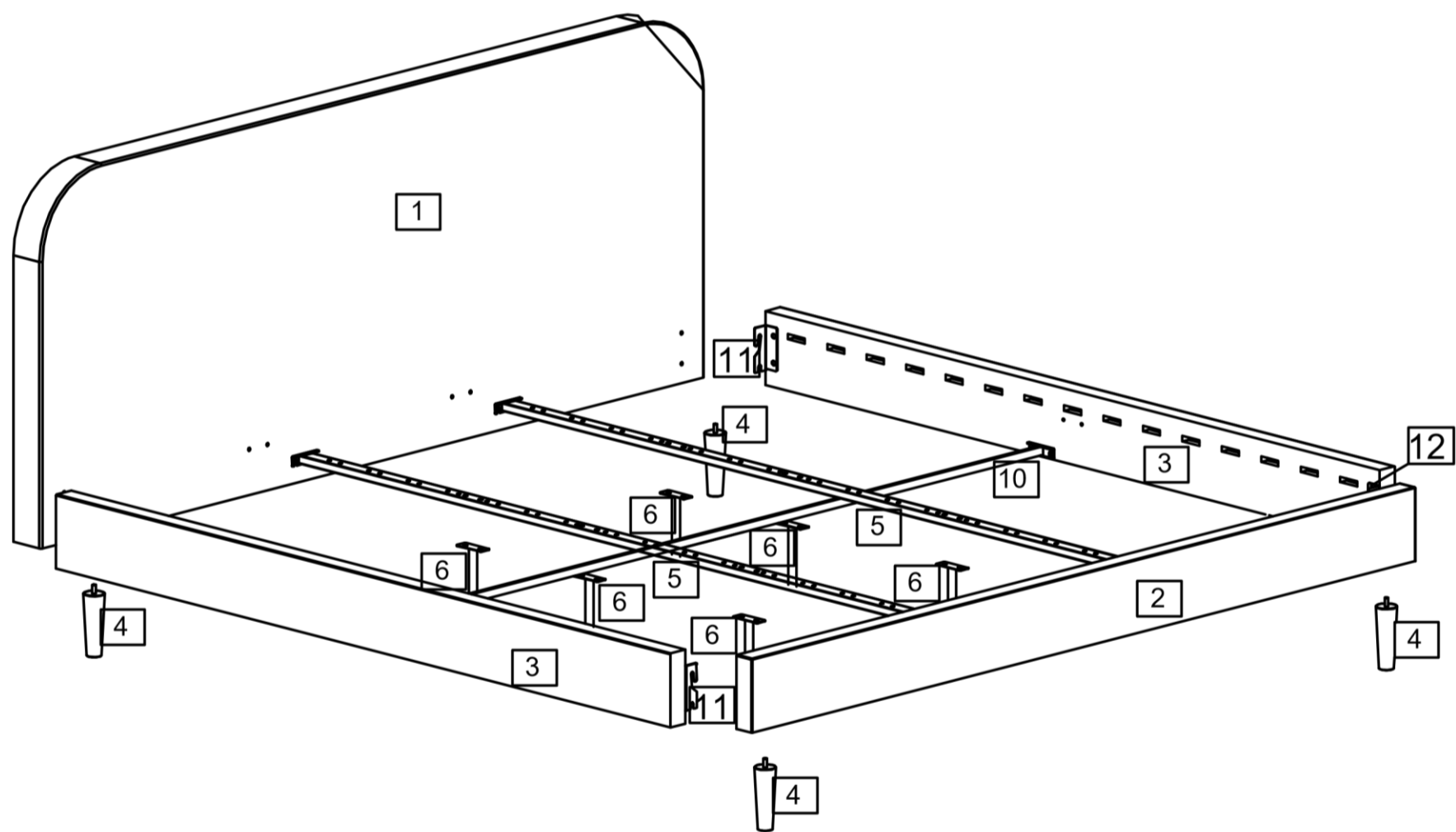
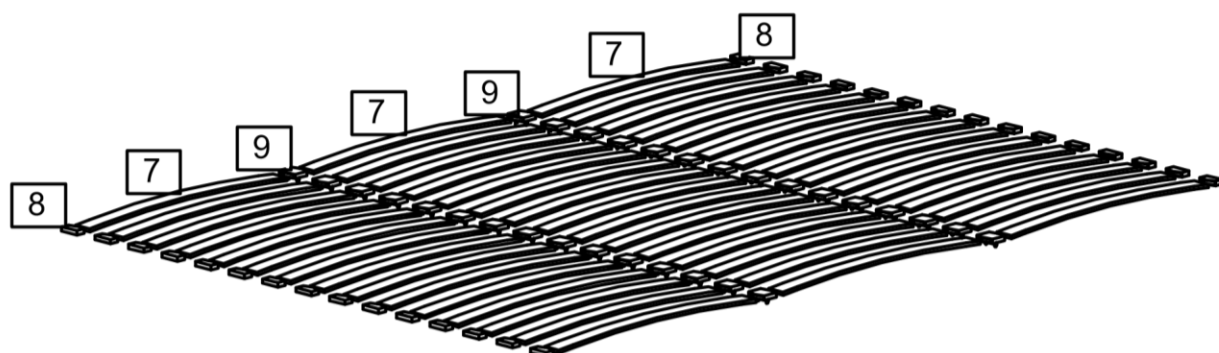
Please contact our customer service team on 0113 519 0311 if you have any questions or issues with your purchase.

Recycling

Please ensure that packaging is disposed of in a safe and environmentally friendly way, and recycle where possible. Please keep your assembly instructions safe to refer back to in the future.

Parts

Before you begin building your bed frame, please take a moment to read through the instructions and make sure that you have all the relevant parts listed on the parts check list.



Parts Check List






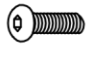


No.	Parts List	Qty	Box No	No.	Parts List	Qty	Box No
1	Headboard	1pc	Box 1	6	Central Support Leg	6pcs	Box 2
2	Footboard	1pc	Box 2	7	Slat Double/King	45pcs	Box 2
3	Side Rail	2pcs	Box 2	8	Side Cap Double/King	30pcs+1pc extra	Box 2
4	Leg	4pcs	Box 2	9	Centre Slat Cap Double/King	30pcs+1pc extra	Box 2
5	Central Support Rail	2pc	Box 2	10	Horizontal Support Rail	1pc	Box 2

Pre-assembled Parts Check List



11	Angle Iron Bracket -LH	2pcs	Box 2	12	Angle Iron Bracket -RH	2pcs	Box 2
----	------------------------	------	-------	----	------------------------	------	-------

Fittings

Please check you have all the fittings listed below with your product.

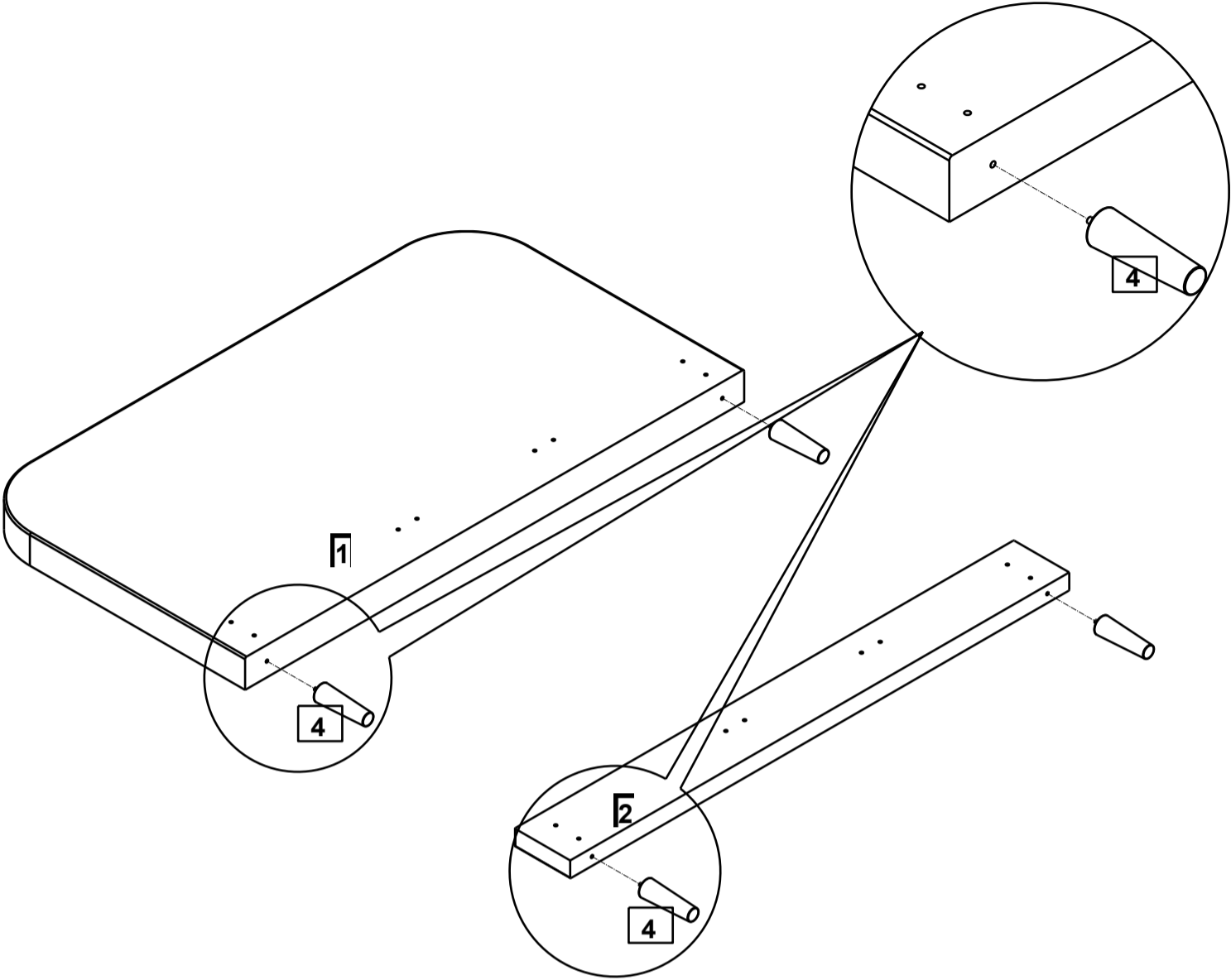
 A M8 40mm Bolt 8pcs+1 extra	 B M6 15mm Bolt 12pcs+1 extra	 C M6 T NUT 15mm 12pcs+1 extra	 D Spring Washer 8pcs+1 extra	 E Flat Washer 8pcs+1 extra
 F M6 25mm Bolt 12pcs+1 extra	 G M5 Allen Key 1pc	 H M4 Allen Key 2pcs		

Pre-assembled Fittings


 I M8 25mm Bolt 8pcs	 E Flat Washer 8pcs
--	---

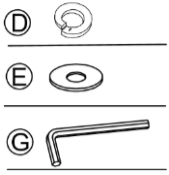
NB: there are additional spare Fittings included within the Fitting pack

Step 1: Screwing the Legs to the Headboard & Footboard

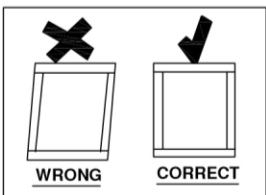
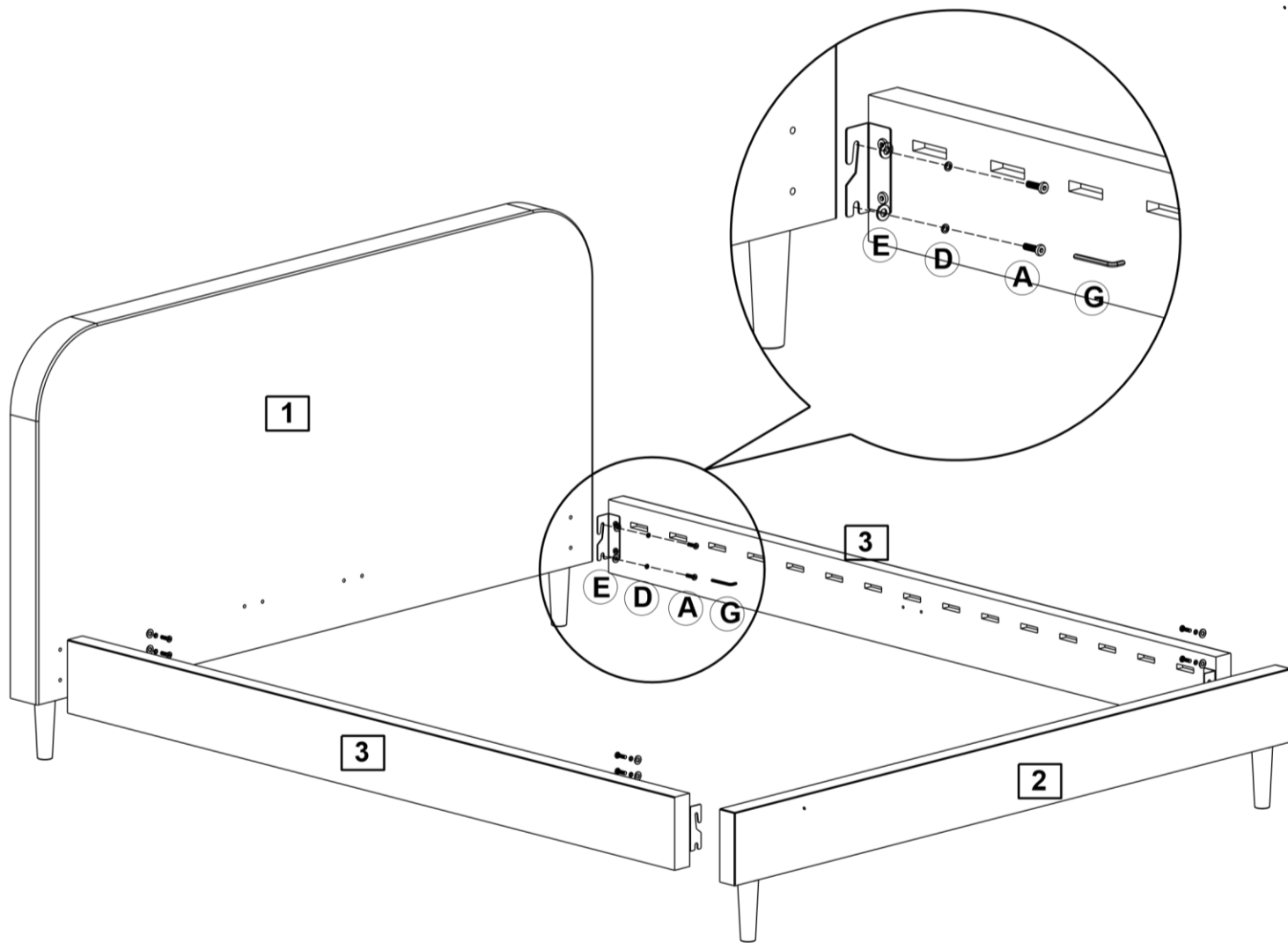


Step 2: Attaching the Side Rails to the Headboard and Footboard

NB:  Before tightening the bolts, please ensure the bed frame is square



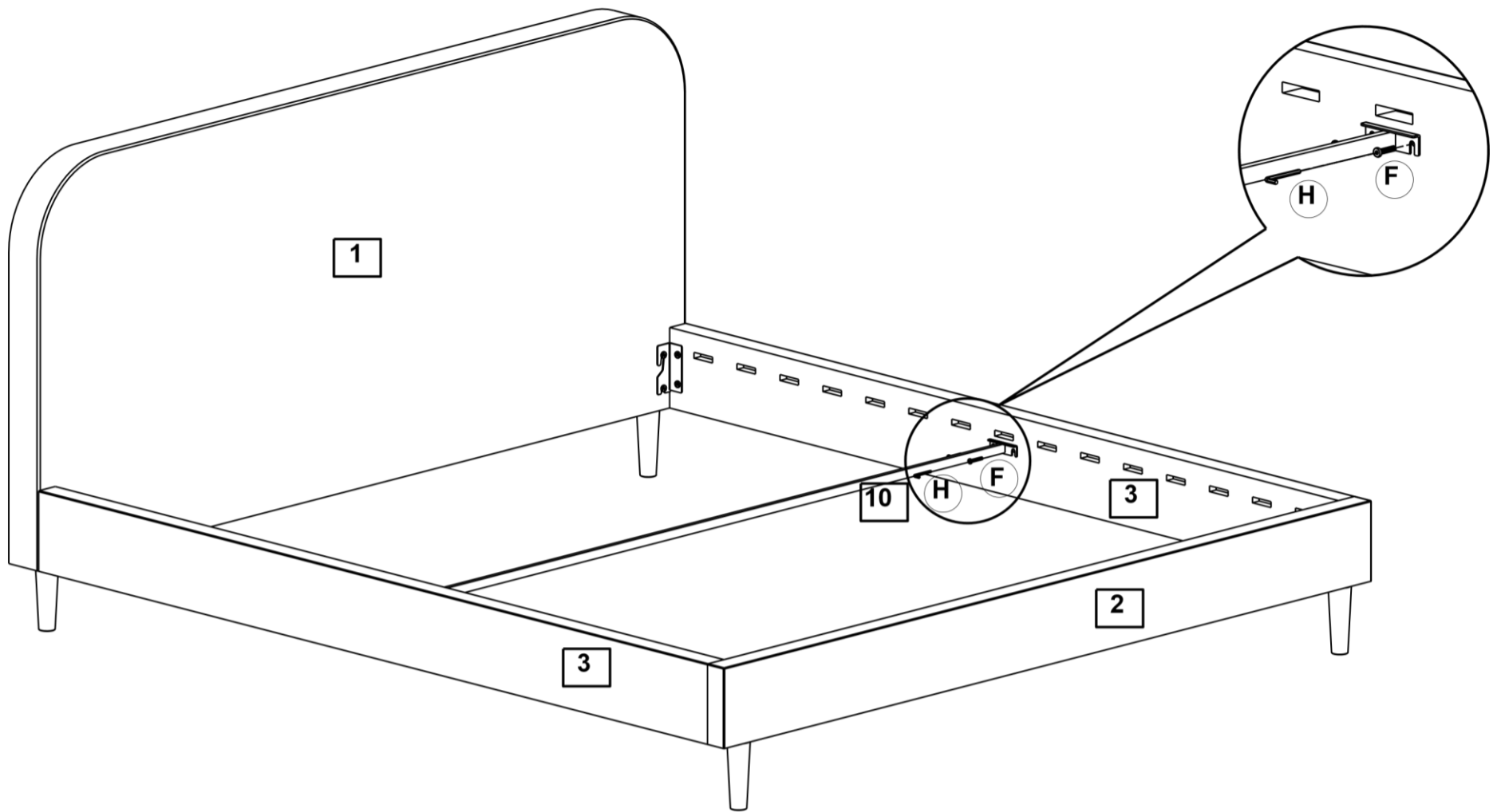
- 8pcs
- 8pcs
- 8pcs
- 1pc



Step 3: Attaching the Horizontal Support Rail to the Side Rails

ⓕ 4pcs

ⓗ 1pc



Step 4: Attaching the Central Support Legs to the Central Support Rails



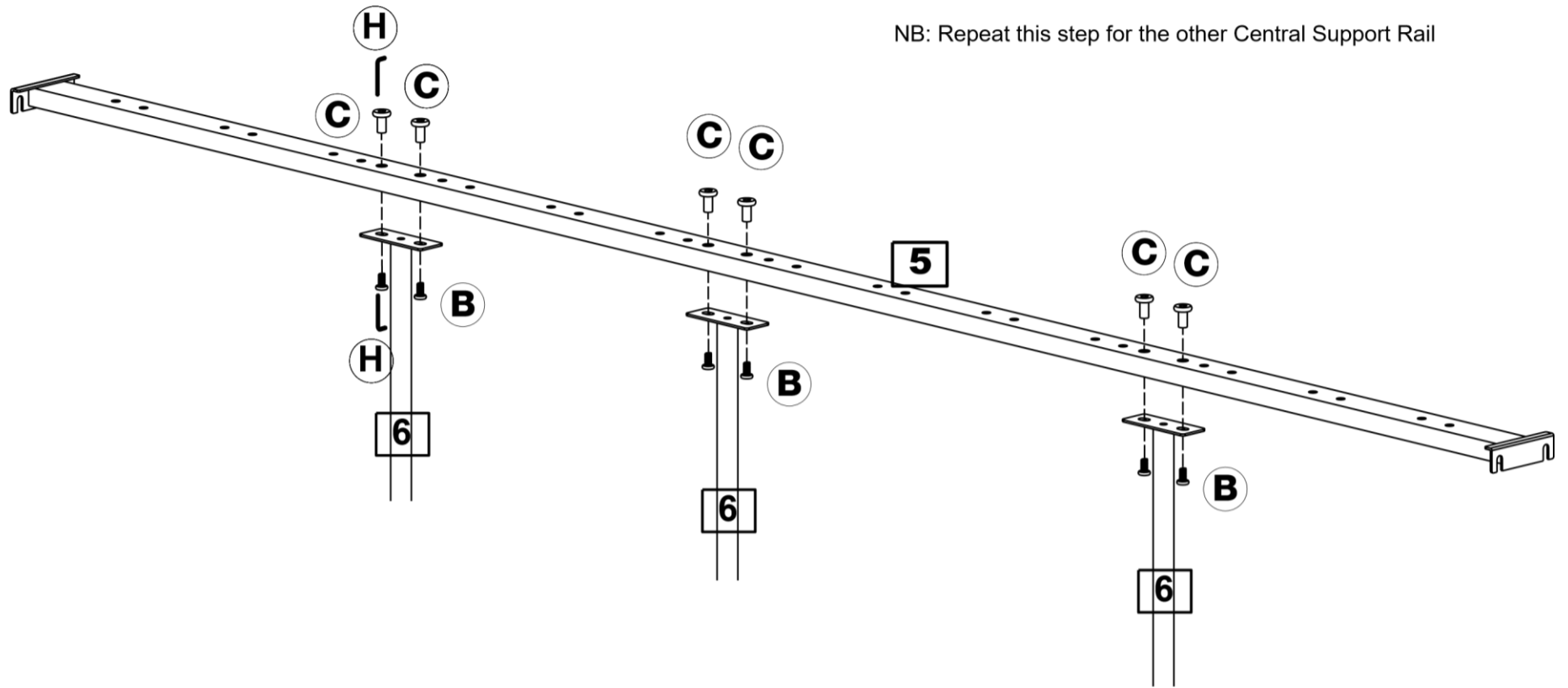
12pcs



12pcs



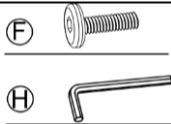
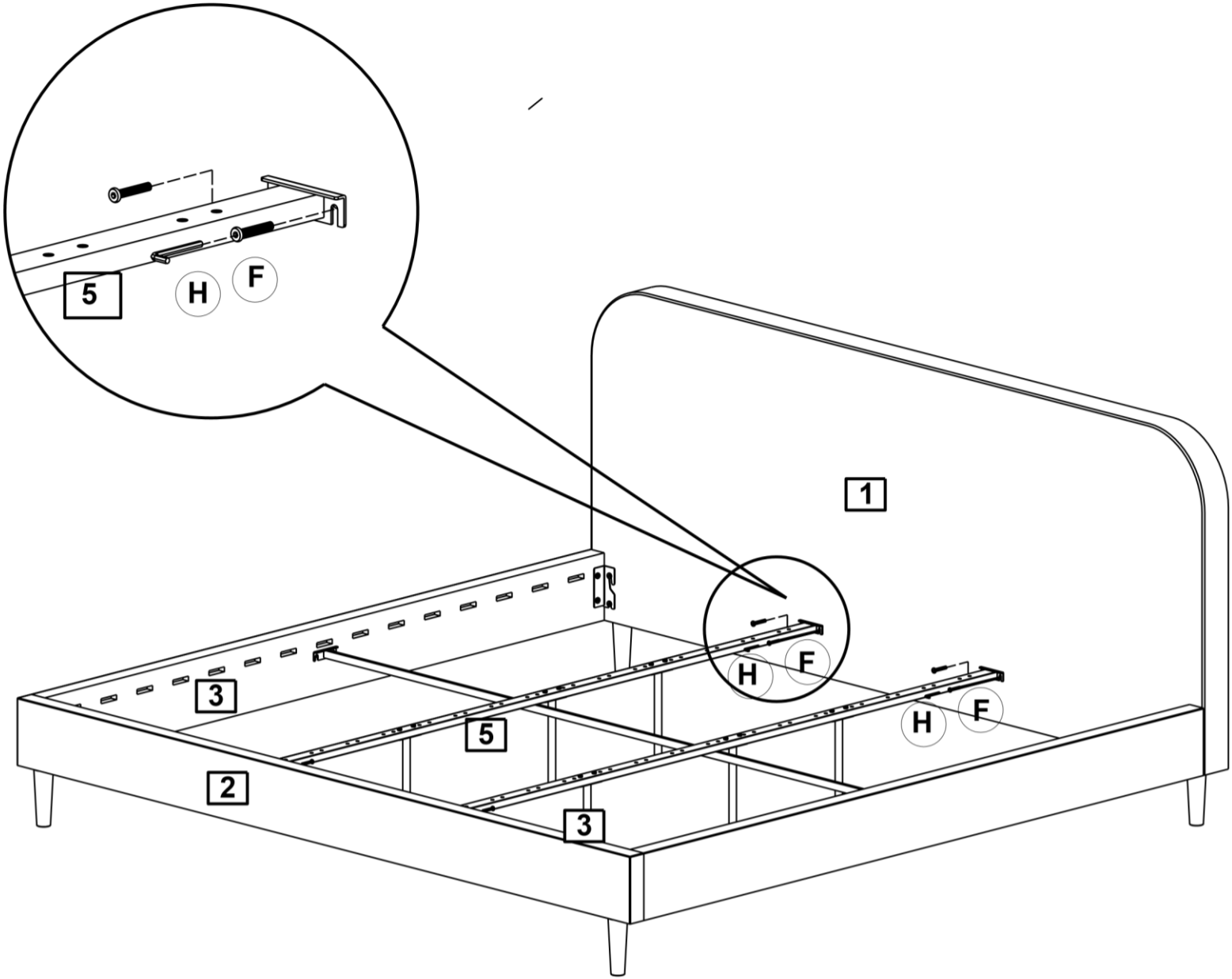
2pcs



Step 5: Attaching the Central Support Rail to the Headboard & Footboard

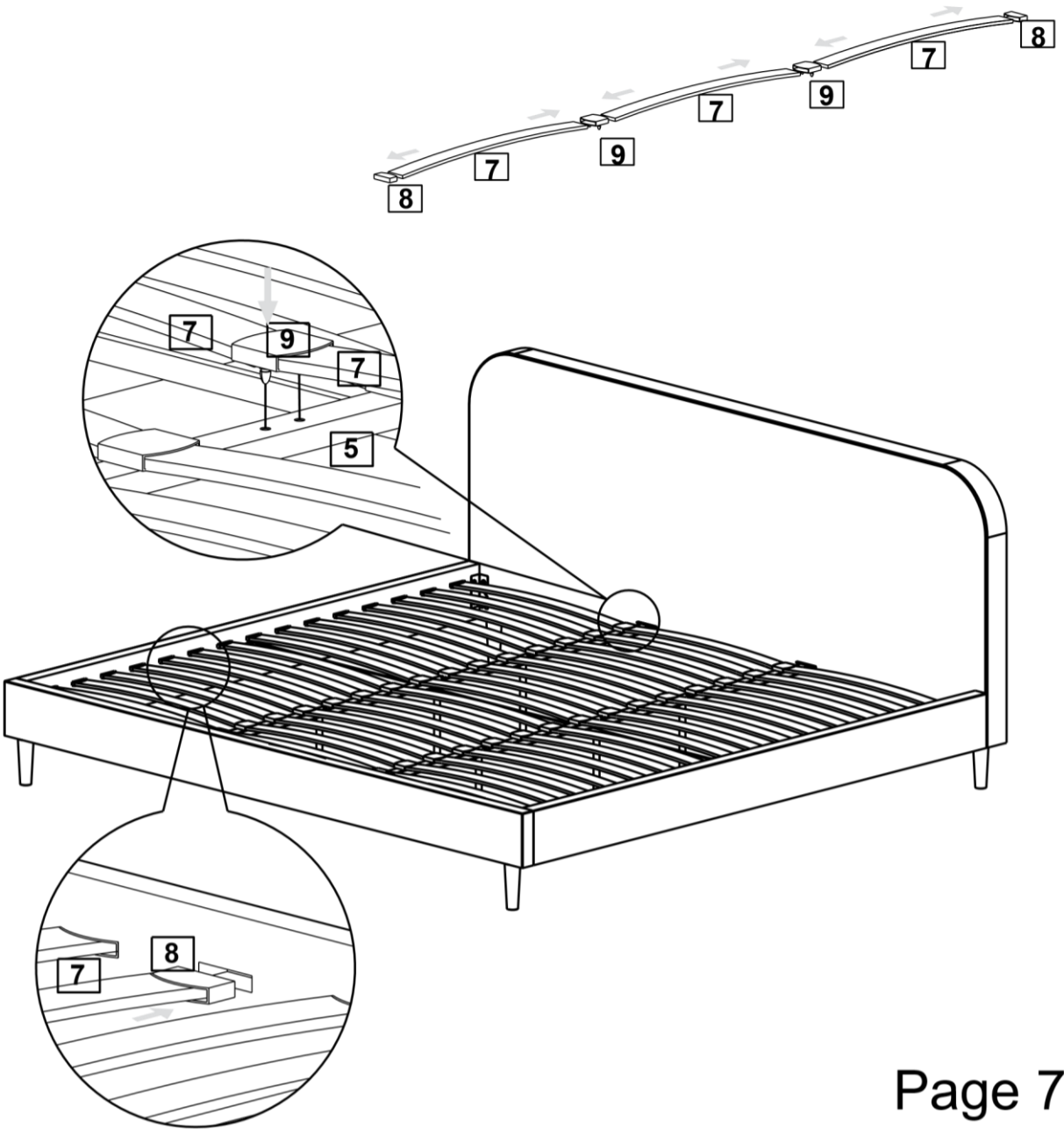
8pcs

1pc



Step 6: Attaching the Slat Caps & Slats to the Bed Frame

- 9 Centre Slat Caps Super King 30pcs
- 8 Side Slat Caps Super King 30 pcs



It is recommended to slot the Side Slat Caps into position before pushing down on the Centre Slat Caps. Push down firmly on the Centre Slat Caps into the predrilled holes on the Central Support Rail.

Care and Maintenance

Here are some good tips to keep your new bed frame in tip-top condition.

Cleaning

To clean your new bed frame, we advise using a damp cloth if the fabric is dusty or a low suction vacuum. Do not use abrasive chemicals or bleach as this may damage the product.

Checking and Moving

Periodically, we recommend you check that the screws and fixtures haven't become loose over time. To move your bed frame, we recommend lifting it where possible, as dragging or pushing it could cause damage to the legs or flooring.

Fabric

Please note, depending on the lighting, positioning and surroundings of your room, the shade of the fabric will appear differently. Over a period of time, the fabric may also lighten or fade slightly due to light exposure.