

DEFINE YOUR DESIGN

Professionally installed or Do-it-Yourself, our edging solutions give your outdoor design a professional and manicured finish.

TABLE OF CONTENTS

OUR MISSION	04
EPIC EDGE	06
BENDA BOARD	10
SYNTHETIC TURF ANCHOR	14
BENDA BOARD/OTHER USES	18
BENDA BOARD FLEX	20
EDGE EX	22
ACCESSORIES	24
OUR RECYCLING STORY	26
THE PROCESS	27





BENDA BOARD® | REDWOOD/3.47 CM

OUR MISSION

Epic Plastics sets the standard in quality landscape edging products, making them exclusively from recycled plastics. Our products continue to be the professional landscaper's choice for high-quality edging solutions and are widely used in the do-it-yourself market as well.

Epic Plastics' commitment to our environment is crucial to our success and sets us apart from our competition. Our products are made from recycled plastic feedstock. Those milk, shampoo, and laundry detergent bottles you put out on the curb for recycling, are the materials that make Epic Plastics' products!

Our commitment to manufacturing environmentally friendly products doesn't stop at recycling, we also don't burn fuels to make our products. Epic Plastics' equipment is powered by electricity and releases zero carbon emissions during the manufacturing process. Today, we've saved over 300 million pounds of post-consumer plastic from landfills and continue the journey to a sustainable future. All of Epic's edging products are LEED approved giving your project the boost it needs to go from Gold to Platinum!

PROUDLY MADE IN THE USA EXCLUSIVELY WITH RECYCLED PLASTIC



EXPERIENCE **EPIC** | RECYCLED LANDSCAPE EDGING

Epic Plastics products continue to be the professional landscaper's choice for high-quality edging solutions and are widely used in the do-it-yourself market as well.



CUSTOMER SERVICE

Contact Cindy Rhed
Email: crhed@epicplastics.com
Phone: 209-365-2122



RESOURCES

Technical Documents:
epicplastics.com/document-library
Installation Videos:
epicplastics.com/video-library



Files are available for download at
CADdetails.com



EPIC EDGE® | CARMEL BROWN/1.40 CM

PRODUCT SPECS

Nominal Thermal Expansion | Straight Runs, Sweeping Curves | Natural Wood Grain
Limits Weed Migration

NOMINAL DESCRIPTION	PRODUCT #	PRODUCT COLOR	AVAILABLE SIZES <small>(Metric / Actual)</small>	MIN. ORDER
4 x 20	100041851	CARMEL BROWN	1.40 cm x 8.5 cm x 6.09 m (.55 in x 3.35 in x 20 ft)	120 pcs-2,400 ft / lift
6 x 20	100036756	CARMEL BROWN	1.40 cm x 13.58 cm x 6.09 m (.55 in x 5.35 in x 20 ft)	80 pcs-1,600 ft / lift
4 x 20	100098380	BLACK	1.40 cm x 8.5 cm x 6.09 m (.55 in x 3.35 in x 20 ft)	120 pcs-2,400 ft / lift
6 x 20	100099495	BLACK	1.40 cm x 13.58 cm x 6.09 m (.55 in x 5.35 in x 20 ft)	80 pcs-1,600 ft / lift

EPIC EDGE® | CARMEL BROWN/1.40 CM

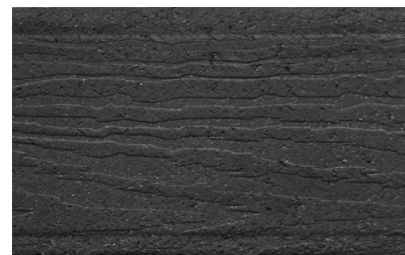
EPIC EDGE® | CREATE STRAIGHT RUNS & SWEEPING CURVES

Epic Plastics' Epic Edge® is a durable and sustainable edging solution made from high-density polyethylene recycled plastic and recycled wood flour. Epic Edge® is ideal for creating straight runs and large sweeping curves in your landscaping design.

AVAILABLE COLORS:



CARMEL BROWN



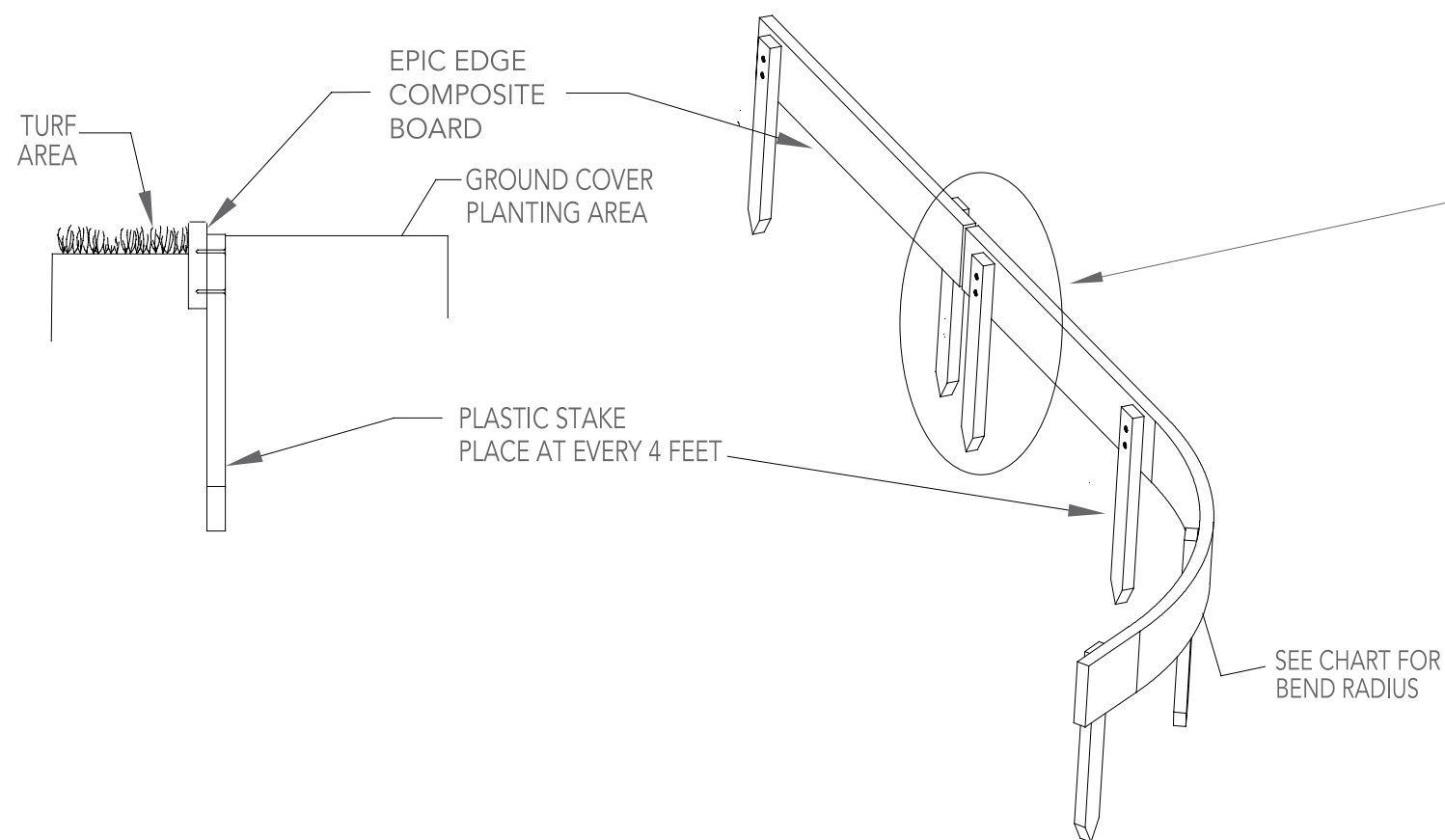
BLACK



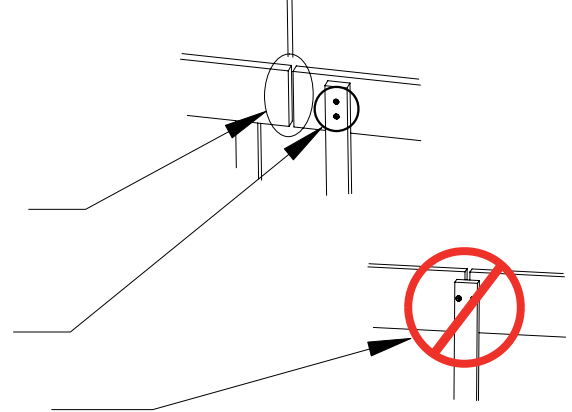
INSTALLATION INSTRUCTIONS

EPIC EDGE COMPOSITE HEADER BOARD DETAIL # 210-A

EPIC EDGE IS INTENDED FOR NON-STRUCTURAL USE ONLY



GAP



USE COARSE WOOD WORKING TOOLS FOR CUTTING AND DRILLING.

ALLOW FOR THERMAL EXPANSION AND SHRINKAGE BY LEAVING GAPS BETWEEN END OF BOARDS.

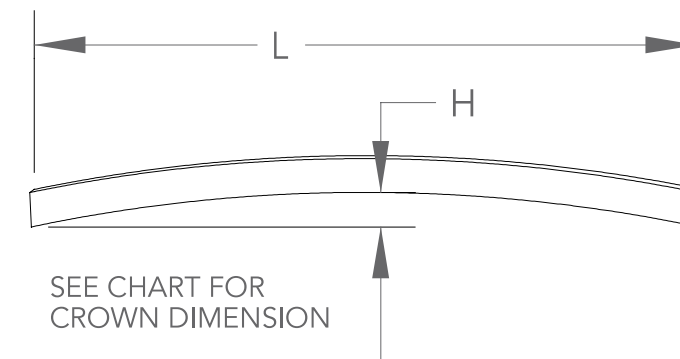
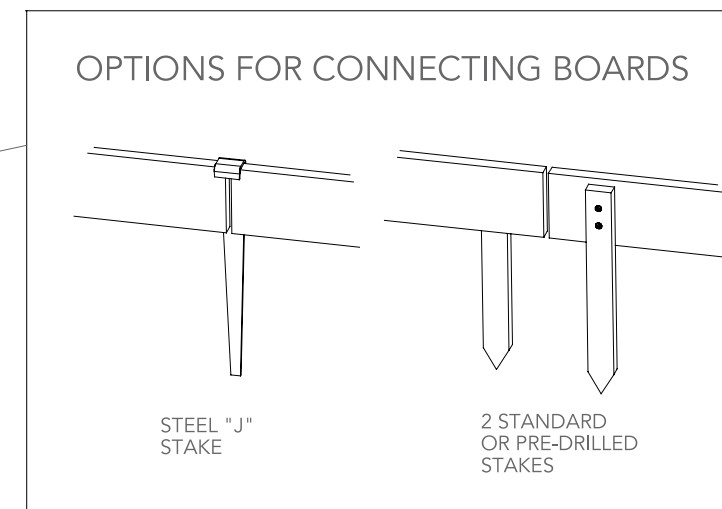
USE PLATED SCREWS TO JOIN BOARD TO STAKE.

DO NOT SCREW BOTH BOARDS TOGETHER.

INSTALLATION INSTRUCTIONS

EPIC EDGE COMPOSITE HEADER BOARD DETAIL # 210-A

EPIC EDGE IS INTENDED FOR NON-STRUCTURAL USE ONLY



PRODUCT NUMBER	NOMINAL DESCRIPTION	COLOR	ACTUAL DIMENSION D x H x L	MINIMUM RADIUS	GAP	MAXIMUM CROWN H/L
100041851	4 X 20	CARMEL BROWN	.55 in x 3.35 in x 20 ft (1.40cm x 8.5cm x 6.09m)	36"	1/8"	19 in / 20 ft
100036756	6 X 20		.55 in x 5.35 in x 20 ft (1.40cm x 13.58cm x 6.09m)			9 in / 20 ft
100098380	4 X 20	BLACK	.55 in x 3.35 in x 20 ft (1.40cm x 8.5cm x 6.09m)	36"	1/8"	19 in / 20 ft
100099495	6 X 20		.55 in x 5.35 in x 20 ft (1.40cm x 13.58cm x 6.09m)			9 in / 20 ft

SEE PAGES 24-25 FOR RECOMMENDED ACCESSORIES



SCAN THE QR CODE TO WATCH OUR VIDEO FOR INSTALLATION INSTRUCTIONS AND OTHER IMPORTANT RESOURCES.

Made in USA by Epic Plastics
104 E. Turner Road, Lodi, CA 95240
209-333-6161 | epicplastics.com



BENDA BOARD® | REDWOOD/1.82 CM

BENDA BOARD® | CREATE ORGANIC CURVES & SHAPES

Epic Plastics' Benda Board® has become one of the most preferred edging solutions for both professional landscapers and homeowners. Made exclusively with recycled plastic, Benda Board® provides a durable edging solution while retaining flexibility for creative landscape designs. Invented as a superior alternative to natural wood edging, Benda Board® will not rot or splinter.

SEE PAGES 14-19 Benda Board® can also be used as concrete forming and cellular confinement, as well as a hidden synthetic turf anchor solution.

AVAILABLE COLORS:



REDWOOD



TEAK



SAND



BLACK

PRODUCT SPECS

Versatile, Easy-to-Install | Flexible & Durable | Slip Joint | 4 Popular Colors | Non-Structural Uses

NOMINAL DESCRIPTION	PRODUCT #	PRODUCT COLOR	AVAILABLE SIZES (Metric / Actual)	MIN. ORDER
1 x 4 x 20	100036729	Redwood	1.82 cm x 8.5 cm x 6.04 m (.72 in x 3.35 in x 19 ft 10 in)	120 pcs-2,400 ft / lift
2 x 4 x 20	100036731	Redwood	3.47 cm x 8.63 x 6.04 m (1.37 in x 3.4 in x 19 ft 10 in)	60 pcs-1,200 ft / lift
1 x 6 x 20	100036730	Redwood	1.65 cm x 13.58 cm x 6.04 m (.65 in x 5.35 in x 19 ft 10 in)	80 pcs-1,600 ft / lift
2 x 6 x 16	100036732	Redwood	3.42 cm x 13.71 cm x 4.82 m (1.35 in x 5.4 in x 15 ft 10 in)	40 pcs- 640 ft/ lift
1 x 4 x 20	100059386	Teak	1.82 cm x 8.5 cm x 6.04 m (.72 in x 3.35 in x 19 ft 10 in)	100 pcs-2,000 ft/ lift
2 x 4 x 20	100059389	Teak	3.47 cm x 8.63 x 6.04 m (1.37 in x 3.4 in x 19 ft 10 in)	50 pcs-1,000 ft / lift
1 x 6 x 20	100059387	Teak	1.65 cm x 13.58 cm x 6.04 m (.65 in x 5.35 in x 19 ft 10 in)	100 pcs-2,000 ft/ lift
1 x 4 x 20	100036733	Sand	1.82 cm x 8.5 cm x 6.04 m (.72 in x 3.35 in x 19 ft 10 in)	120 pcs-2,400 ft/ lift
1 x 4 x 20	100051993	Black	1.82 cm x 8.5 cm x 6.04 m (.72 in x 3.35 in x 19 ft 10 in)	120 pcs-2,400 ft/ lift
1 x 6 x 20	100082778	Black	1.65 cm x 13.58 cm x 6.04 m (.65 in x 5.35 in x 19 ft 10 in)	80 pcs-1,600 ft / lift

BENDA BOARD® | REDWOOD/3.47 CM



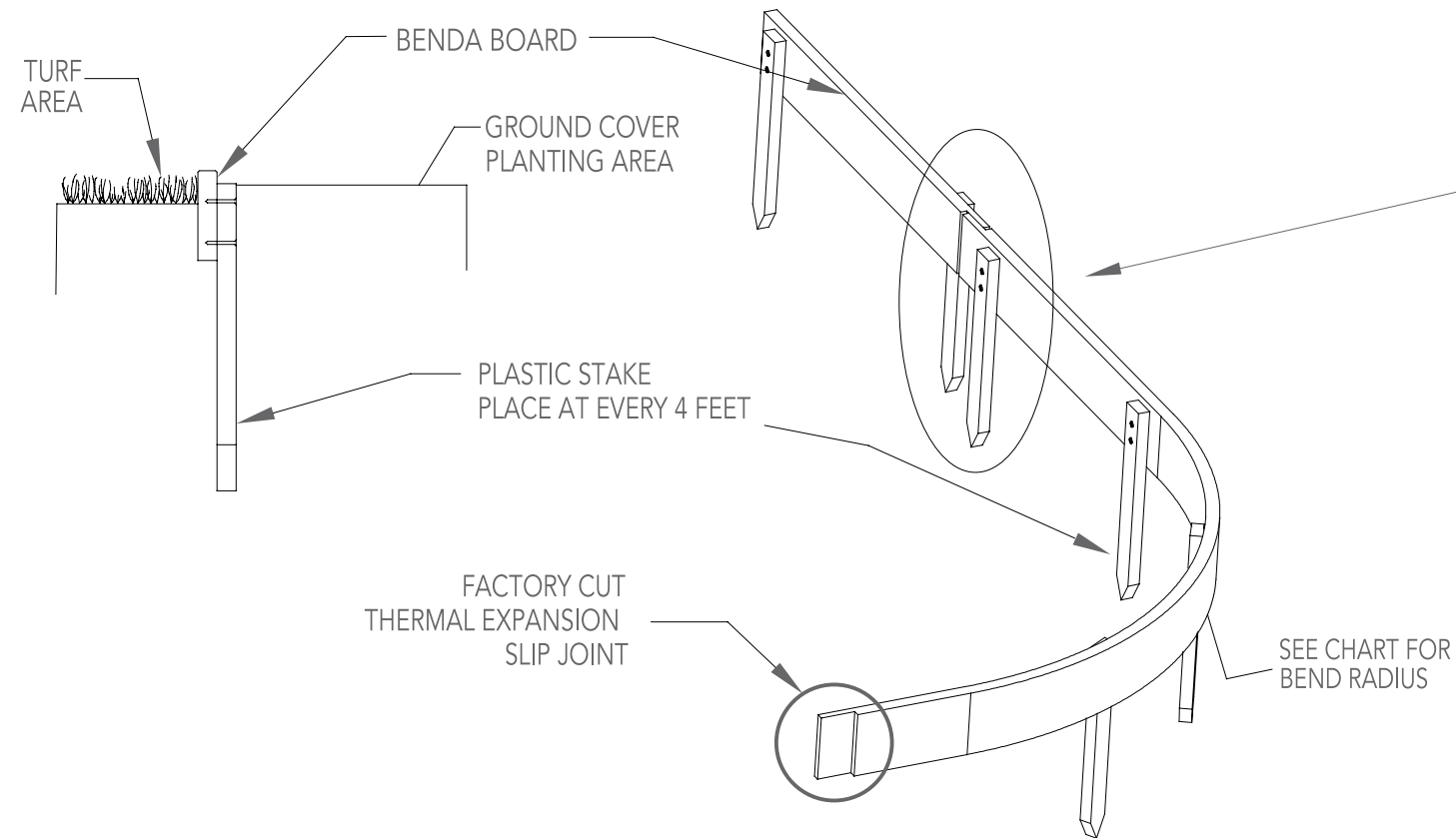
BENDA BOARD®

is **VERSATILE**, utilized for **CONCRETE FORMING** and **CELLULAR CONFINEMENT**, as well as **TURF ANCHORING** applications.

INSTALLATION INSTRUCTIONS

BENDA BOARD HEADER BOARD DETAIL # 110-A

BENDA BOARD IS INTENDED FOR NON-STRUCTURAL USE ONLY

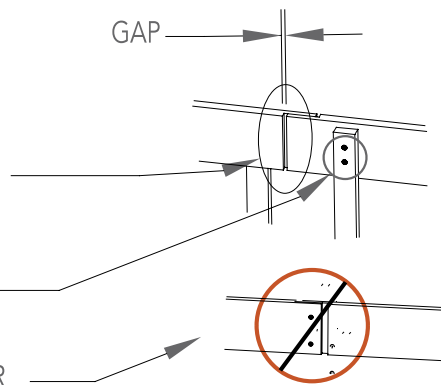


USE COARSE WOOD WORKING TOOLS FOR CUTTING AND DRILLING

ALLOW FOR THERMAL EXPANSION AND SHRINKAGE BY LEAVING GAPS BETWEEN END OF BOARDS

USE PLATED SCREWS TO JOIN BOARD TO STAKE

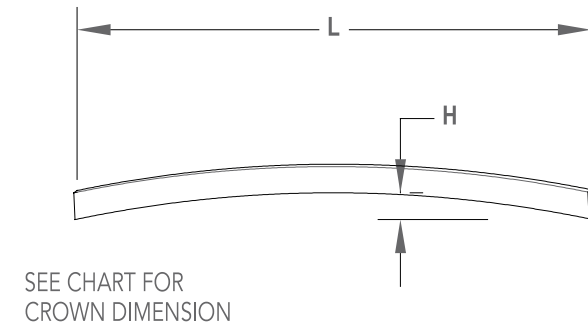
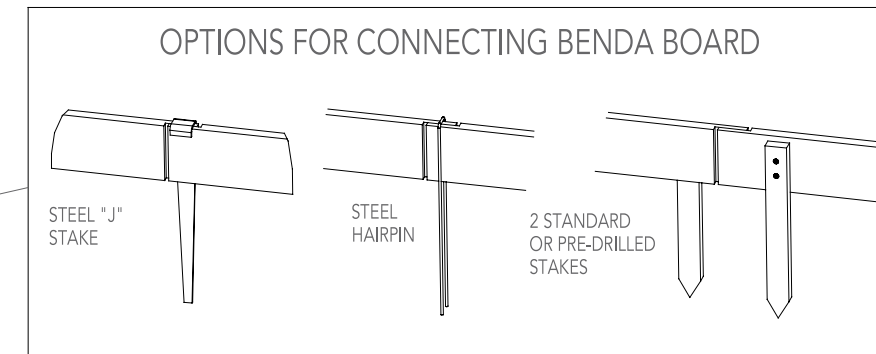
DO NOT SCREW BOTH BOARDS TOGETHER



INSTALLATION INSTRUCTIONS

BENDA BOARD HEADER BOARD DETAIL # 110-A

BENDA BOARD IS INTENDED FOR NON-STRUCTURAL USE ONLY



NOMINAL DESCRIPTION	PRODUCT NUMBER	COLOR	ACTUAL DIMENSION D x H x L	MIN. BEND RADIUS	GAP	MAXIMUM CROWN H / L
1 x 4 x 20	100036729	REDWOOD	.72in X 3.35in X 19ft 10in 1.82cm X 8.5cm X 6.04m	24"	1/4" - 1/2"	19" / 20'
	100036733	SAND				
	100059386	TEAK				
	100051993	BLACK				
2 x 4 x 20	100036731	REDWOOD	1.37in X 3.4in X 19ft 10in 3.47cm X 8.63cm X 6.04m	36"	1/2" - 3/4"	16" / 20'
	100059389	TEAK				
1 x 6 x 20	100036730	REDWOOD	.65in X 5.35in X 19ft 10in 1.65cm X 13.58cm X 6.04m	24"	1/2" - 3/4"	9" / 20'
	100082778	BLACK				
	100059387	TEAK				
2 x 6 x 16	100036732	REDWOOD	1.35in X 5.4in X 15ft 10in 3.42cm X 13.71cm X 4.82m	36"	3/4" - 1"	N/A

SEE PAGES 24-25 FOR RECOMMENDED ACCESSORIES



SCAN THE QR CODE TO WATCH OUR VIDEO FOR INSTALLATION INSTRUCTIONS AND OTHER IMPORTANT RESOURCES.

Made in USA by Epic Plastics
104 E. Turner Road, Lodi, CA 95240
209-333-6161 | epicplastics.com



SYNTHETIC TURF EDGE | BLACK/3.81 CM

PRODUCT SPECS

NOMINAL DESCRIPTION	PRODUCT #	PRODUCT	AVAILABLE SIZES (Metric / Actual)	MIN. ORDER
1 x 4 x 20	100036729	Benda Board® Redwood	1.82 cm x 8.5 cm x 6.04 m (.72 in x 3.35 in x 19 ft 10 in)	120 pcs-2,400 ft/ lift
1 x 4 x 20	100059386	Benda Board® Teak	1.82 cm x 8.5 cm x 6.04 m (.72 in x 3.35 in x 19 ft 10 in)	120 pcs-2,400 ft/ lift
1 x 4 x 20	100036733	Benda Board® Sand	1.82 cm x 8.5 cm x 6.04 m (.72 in x 3.35 in x 19 ft 10 in)	120 pcs-2,400 ft/ lift
1 x 4 x 20	100051993	Benda Board® Black	1.82 cm x 8.5 cm x 6.04 m (.72 in x 3.35 in x 19 ft 10 in)	120 pcs-2,400 ft/ lift
2 x 2 x 12	100048028	Turf Edge Black	3.81 cm x 3.81 cm x 3.65 m (1.5 in x 1.5 in x 12 ft)	200 pcs-2,400 ft/ lift

BENDA BOARD® | BLACK/1.82CM



SYNTHETIC TURF ANCHORING SYSTEM

Epic Plastics offers two synthetic turf hidden anchoring solutions. Both Turf Edge and Benda Board® allow a natural edge, simplifying the artificial grass installation process and adding durability to any synthetic or artificial grass installation.

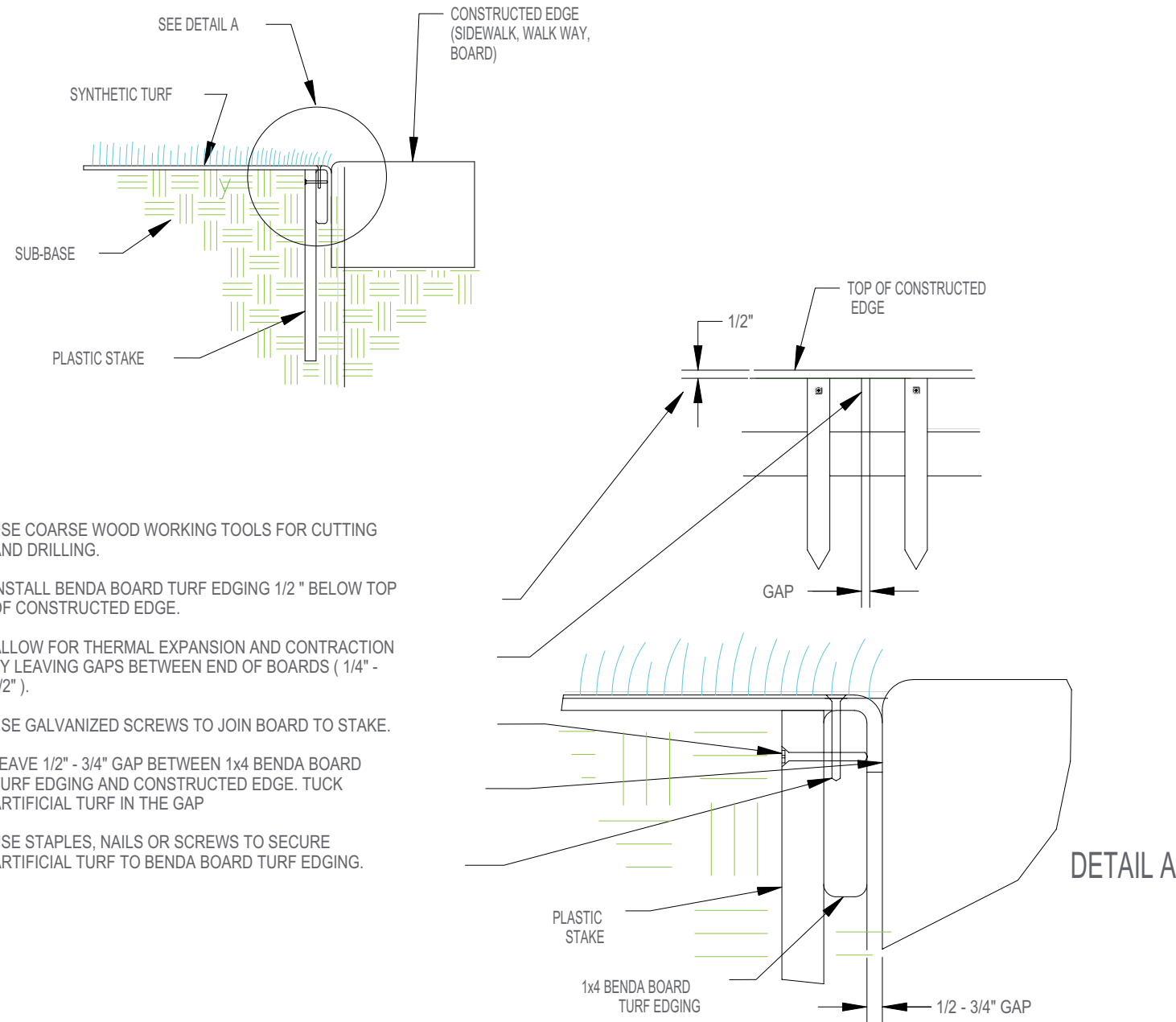


AVAILABLE COLORS:
BENDA BOARD®
 Redwood, Teak, Sand & Black
TURF EDGE
 Black

INSTALLATION INSTRUCTIONS

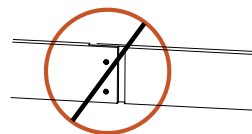
BENDA BOARD® TURF EDGING DETAIL # 310

BENDA BOARD TURF EDGING IS INTENDED FOR NON-STRUCTURAL USE ONLY



- USE COARSE WOOD WORKING TOOLS FOR CUTTING AND DRILLING.
- INSTALL BENDA BOARD TURF EDGING 1/2" BELOW TOP OF CONSTRUCTED EDGE.
- ALLOW FOR THERMAL EXPANSION AND CONTRACTION BY LEAVING GAPS BETWEEN END OF BOARDS (1/4" - 1/2").
- USE GALVANIZED SCREWS TO JOIN BOARD TO STAKE.
- LEAVE 1/2" - 3/4" GAP BETWEEN 1x4 BENDA BOARD TURF EDGING AND CONSTRUCTED EDGE. TUCK ARTIFICIAL TURF IN THE GAP
- USE STAPLES, NAILS OR SCREWS TO SECURE ARTIFICIAL TURF TO BENDA BOARD TURF EDGING.

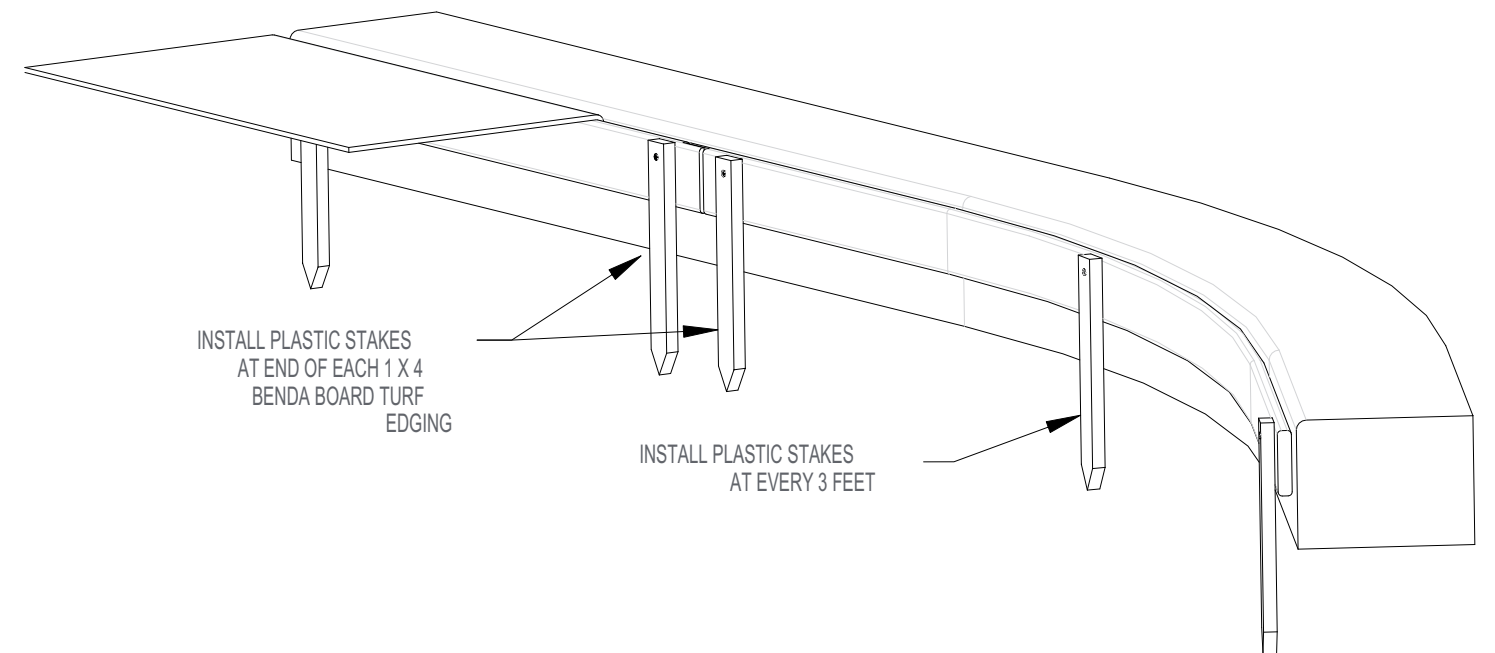
DO NOT SCREW BOTH BOARDS TOGETHER



INSTALLATION INSTRUCTIONS

BENDA BOARD® TURF EDGING DETAIL # 310

BENDA BOARD TURF EDGING IS INTENDED FOR NON-STRUCTURAL USE ONLY



NOMINAL DESCRIPTION	PRODUCT NUMBER	COLOR	ACTUAL DIMENSION D X H X L	MIN. BEND RADIUS	GAP	MAXIMUM CROWN H / L
1 x 4 x 20	100036729 100036733 100059386 100051993	Redwood Sand Teak Black	.72in x 3.35in X 19ft 10in 1.82cm x 8.5cm x 6.04m	24"	1/4" - 1/2"	19" / 20"
2 x 2 x 12*	100048028	Black	1.5in x 1.5in x 12ft 3.81cm x 3.81cm x 3.65m	36"	1/2" - 3/4"	—

* For 2x2 TURF EDGE INSTALLATION INSTRUCTIONS, please visit epicplastics.com/document-library
SEE PAGES 24-25 FOR RECOMMENDED ACCESSORIES



SCAN THE QR CODE TO WATCH OUR VIDEO FOR INSTALLATION INSTRUCTIONS AND OTHER IMPORTANT RESOURCES.

Made in USA by Epic Plastics
104 E. Turner Road, Lodi, CA 95240
209-333-6161 | epicplastics.com

CIRCULAR ECONOMY

Plastic edging used in **CONCRETE FORMING** and **CELLULAR CONFINEMENT** applications can be recycled and lend themselves to continued recycling.

BENDA BOARD® FOR CELLULAR CONFINEMENT | TEAK | 1.65 CM

BENDA BOARD® | VERSATILE, ECONOMICAL & LONG-LASTING

Benda Board® adapts to a variety of projects, such as concrete forming and cellular confinement, offering flexibility, durability, and sustainability. It's a key component in promoting a circular economy while enhancing the functionality, appearance, and safety of permeable and porous asphalt and aggregate-bonded surfaces. With various height and width options, Benda Board® is the versatile solution you need for any outdoor design.

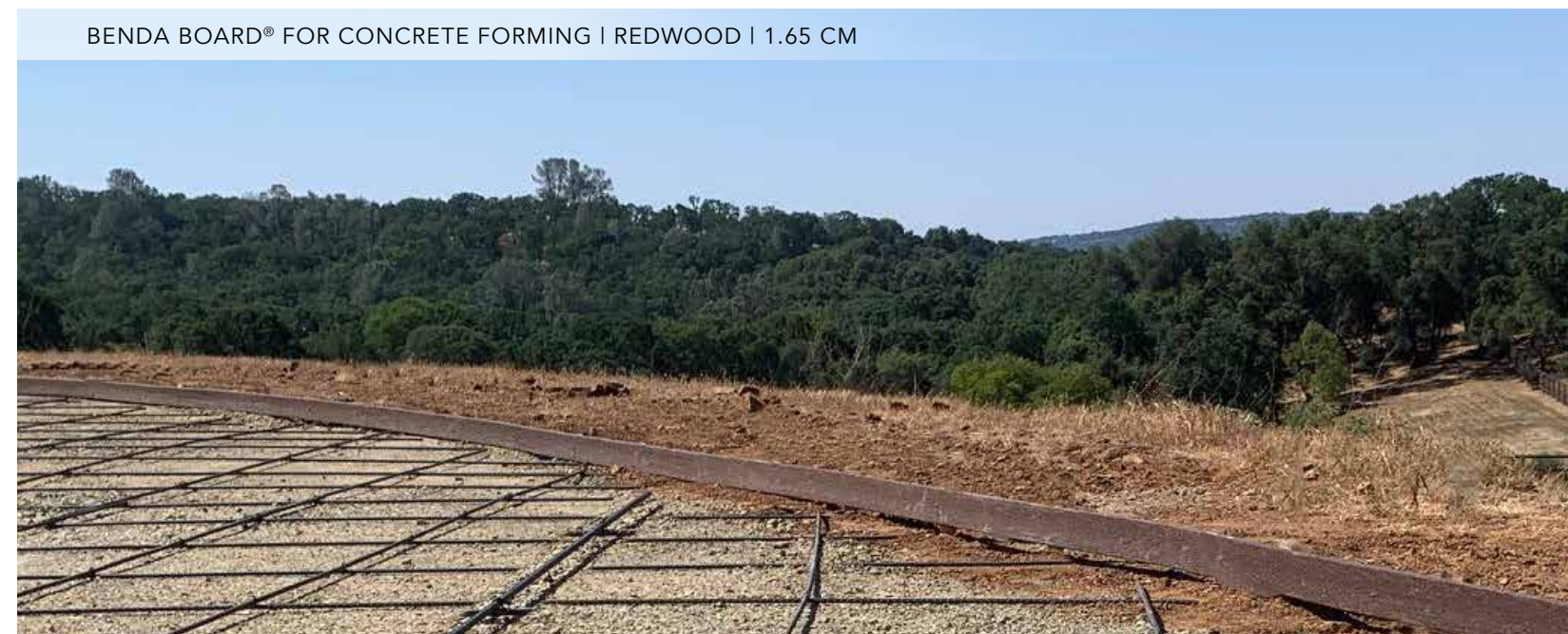
SEE PAGE 14 Benda Board® is also a hidden synthetic turf anchor solution that provides durability, flexibility, and ease of use in your synthetic turf installation design.

PRODUCT SPECS

Versatile, Easy-to-Install | Flexible & Durable | Slip Joint | Non-Structural Uses

NOMINAL DESCRIPTION	PRODUCT #	PRODUCT COLOR	AVAILABLE SIZES (Metric / Actual)	MIN. ORDER
1 x 4 x 20	100036729	Redwood	1.82 cm x 8.5 cm x 6.04 m (.72 in x 3.35 in x 19 ft 10 in)	120 pcs-2,400 ft / lift
2 x 4 x 20	100036731	Redwood	3.47 cm x 8.63 x 6.04 m (1.37 in x 3.4 in x 19 ft 10 in)	60 pcs-1,200 ft / lift
1 x 6 x 20	100036730	Redwood	1.65 cm x 13.58 cm x 6.04 m (.65 in x 5.35 in x 19 ft 10 in)	80 pcs-1,600 ft / lift
2 x 6 x 16	100036732	Redwood	3.42 cm x 13.71 cm x 4.82 m (1.35 in x 5.4 in x 15 ft 10 in)	40 pcs- 640 ft/ lift
1 x 4 x 20	100059386	Teak	1.82 cm x 8.5 cm x 6.04 m (.72 in x 3.35 in x 19 ft 10 in)	100 pcs-2,000 ft/ lift
2 x 4 x 20	100059389	Teak	3.47 cm x 8.63 x 6.04 m (1.37 in x 3.4 in x 19 ft 10 in)	50 pcs-1,000 ft / lift
1 x 6 x 20	100059387	Teak	1.65 cm x 13.58 cm x 6.04 m (.65 in x 5.35 in x 19 ft 10 in)	100 pcs-2,000 ft/ lift
1 x 4 x 20	100036733	Sand	1.82 cm x 8.5 cm x 6.04 m (.72 in x 3.35 in x 19 ft 10 in)	120 pcs-2,400 ft / lift
1 x 4 x 20	100051993	Black	1.82 cm x 8.5 cm x 6.04 m (.72 in x 3.35 in x 19 ft 10 in)	120 pcs-2,400 ft / lift
1 x 6 x 20	100082778	Black	1.65 cm x 13.58 cm x 6.04 m (.65 in x 5.35 in x 19 ft 10 in)	80 pcs-1,600 ft / lift

BENDA BOARD® FOR CONCRETE FORMING | REDWOOD | 1.65 CM





BENDA BOARD® FLEX | TEAK/.76 CM

BENDA BOARD® FLEX

Benda Board® FLEX is a creative landscape solution that is *EASY TO INSTALL*, durable and flexible — Perfect for Mow Strips, Tree Rings, Concrete Form Boards, Rock Garden Definition or a Pathway Border.



4 stakes included, more stakes sold separately

NOMINAL DESCRIPTION	PRODUCT #	PRODUCT	AVAILABLE SIZES (Metric / Actual)	MIN. ORDER
.5 x 4 x 16	100081345	Benda Board® FLEX Black	.76 cm x 8.38 cm x 4.88 m (.30 in x 3.3 in x 16 ft)	96 packs/pallet
.5 x 4 x 16	100081344	Benda Board® FLEX Teak	.76 cm x 8.38 cm x 4.88 m (.30 in x 3.3 in x 16 ft)	96 packs/pallet

INSTALLATION INSTRUCTIONS

BENDA BOARD® FLEX

BENDA BOARD® FLEX IS INTENDED FOR NON-STRUCTURAL USE ONLY

BEFORE YOU BEGIN

Unroll the coiled edging onto an even surface, preferably in the sun. Add a weight to each end of the board. When the board stays flat without help of weights, you are ready to proceed.



DESIGN LAYOUT

Create the desired design for your installation location using a garden hose or rope.



EXCAVATION

Dig a trench in the shape of your design, approximately 3 inches deep.



Drive the stakes into the trench every 4-5 feet.

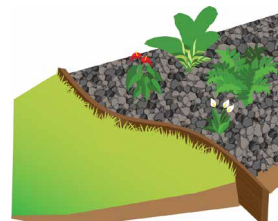


INSTALLATION

Securely press the Benda Board® Flex into the initial stake clip, and repeat this action at each subsequent stake along the way.

If needed, use coarse woodworking tools to cut excess board.

For final height adjustment, use rubber mallet to tap board at stakes.



BACKFILL

Backfill the space on both sides of the board, concealing the stakes, and compact the soil or rock to ensure stability.



INSTALLATION INSTRUCTIONS

EDGE EX BLACK TUBE EDGING DETAIL-415 A

EDGE EX IS INTENDED FOR NON-STRUCTURAL USE ONLY

EDGE EX® | FOR MAXIMUM FLEXIBILITY

Epic Plastics' Edge Ex® is a cost-effective durable edging solution, which is made from low-density polyethylene recycled plastic, and is a cost-effective solution for creating tight organic curves in your landscaping.

AVAILABLE COLOR:

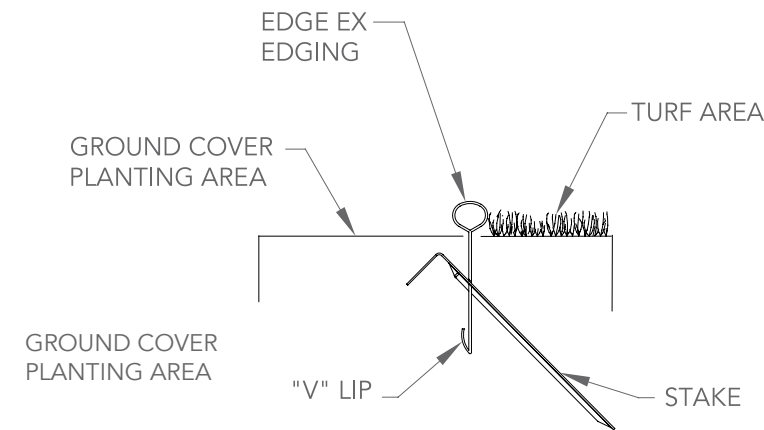


BLACK

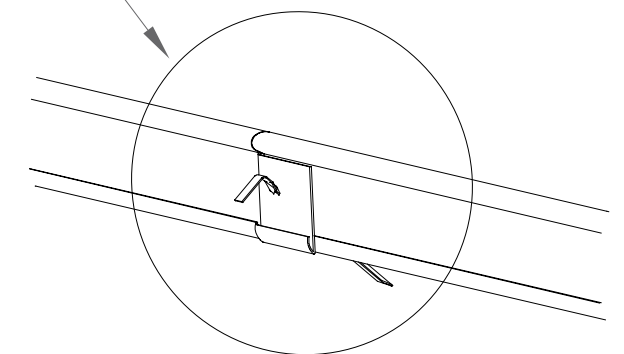
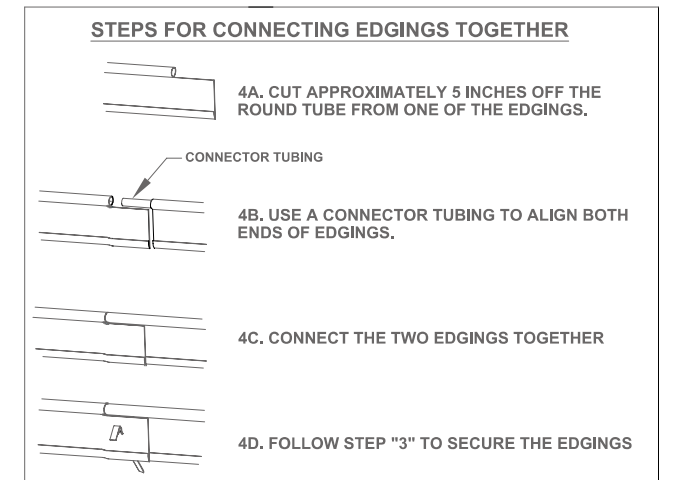
EDGE EX KIT



One Edge ex kit included with each 20' length of board



1. DIG A 4-5 INCH DEEP TRENCH ALONG EDGE OF LAWN.
2. PLACE EDGE EX EDGING INTO TRENCH. THE BOTTOM "V" LIP OF THE EDGING SHOULD BE FACING GROUND COVER OR PLANTING AREA.
3. POUND STAKE, PIERCING INTO EDGING AT A 45 DEGREE ANGLE. INSTALL STAKE EVERY 5 FEET (CLOSER AT CURVES).
4. FOLLOW STEPS 4A - 4D TO CONNECT EDGING.
5. FILL BACK TRENCH AND TAMP DOWN.



PRODUCT SPECS

PRODUCT #	AVAILABLE SIZES (Metric / Actual / Nominal Size)	MIN. ORDER
100060052	2.84 cm x 13.2 cm x 6.09 m (1.12 in x 5.2 in x 20 ft / 5.5 x 20)	200 pcs- 4000 ft /lift
100059577	One Coupler and Four Stakes	50 cnt / box

PRODUCT NUMBER	NOMINAL DESCRIPTION	COLOR	ACTUAL DIMENSION D x H x L
100060052	20'	BLACK	1.12in X 5.2in X 20ft 2.84cm X 13.2cm x 6.09m



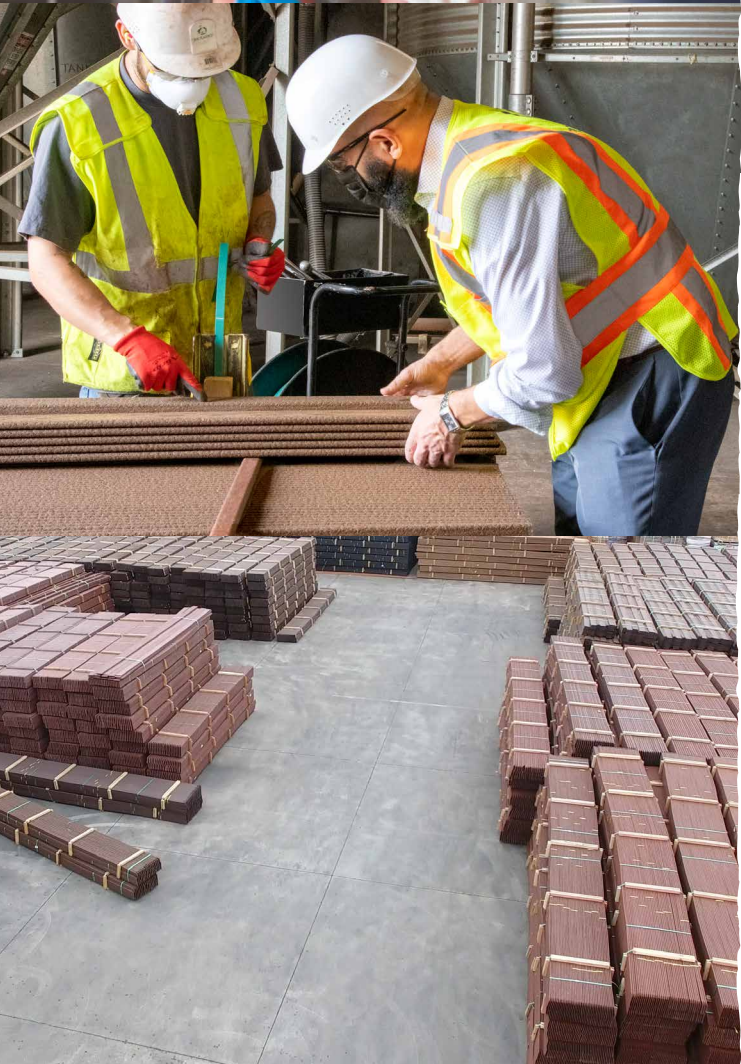
SCAN THE QR CODE TO WATCH OUR VIDEO FOR INSTALLATION INSTRUCTIONS AND OTHER IMPORTANT RESOURCES.

Made in USA by Epic Plastics
104 E. Turner Road, Lodi, CA 95240
209-333-6161 | epicplastics.com

ACCESSORIES



PRODUCT NUMBER	PRODUCT NAME	AVAILABLE SIZES (Metric / Actual / Nominal Size)	MIN. ORDER
100036740	12" Plastic Redwood Stake	1.7 cm x 29.84 cm x 3.5 cm (.67 in x 11.75 in x 1.38 in / 12 in)	100 cnt / box
100036741	18" Plastic Redwood Stake	1.7 cm x 45.08 cm x 3.5 cm (.67 in x 17.75 in x 1.38 in / 18 in)	100 cnt / box
100078300	12" Plastic Black Stake	1.7 cm x 29.84 cm x 3.5 cm (.67 in x 11.75 in x 1.38 in / 12 in)	100 cnt / box
100082779	18" Plastic Black Stake	1.7 cm x 45.08 cm x 3.5 cm (.67 in x 17.75 in x 1.38 in / 18 in)	100 cnt / box
100046315	12" Plastic Carmel Brown Stake	1.7 cm x 29.84 cm x 3.5 cm (.67 in x 11.75 in x 1.38 in / 12 in)	100 cnt / box
100036742	12" Plastic Sand Stake	1.7 cm x 29.84 cm x 3.5 cm (.67 in x 11.75 in x 1.38 in / 12 in)	100 cnt / box
200079367	12" Steel J Stake Redwood	3.42 cm x 32.38 cm x 3.25 cm (1.35 in x 12.75 in x 1.28 in / 12 in)	100 cnt / box
200079371	12" Steel J Stake Sand	3.42 cm x 32.38 cm x 3.25 cm (1.35 in x 12.75 in x 1.28 in / 12 in)	100 cnt / box
200079370	12" Steel J Stake Redwood	3.81 cm x 27.94 cm x 4.44 cm (1.5 in x 11 in x 1.75 in / 12 in)	100 cnt / box
200102712	12" Steel J Stake Black	3.42 cm x 32.38 cm x 3.25 cm (1.35 in x 12.75 in x 1.28 in / 12 in)	100 cnt / box
200145689	16" Steel J Stake Redwood	3.81 cm x 40.13 cm x 3.56 cm (1.35 in x 12.75 in x 1.28 in / 16 in)	100 cnt / box
200145689	16" Steel J Stake Black	3.81 cm x 40.13 cm x 3.56 cm (1.35 in x 12.75 in x 1.28 in / 16 in)	100 cnt / box
100096734	12" Pre-drilled Stake Black	1.7 cm x 29.84 cm x 3.5 cm (.67 in x 11.75 in x 1.38 in / 12 in)	100 cnt / box
200102648	12" Pre-drilled Stake Teak	1.7 cm x 29.84 cm x 3.5 cm (.67 in x 11.75 in x 1.38 in / 12 in)	100 cnt / box
200102649	18" Pre-drilled Stake Teak	1.7 cm x 45.08 cm x 3.5 cm (.67 in x 17.75 in x 1.38 in / 18 in)	100 cnt / box
200079368	Steel Hairpin	3.5 mm x 33.02 cm x 3.17 cm (.14 in x 13 in x 1.25 in / 12 in)	100 ea / bundle
200079369	Steel Hairpin	4 mm x 33.02 cm x 4.57 cm (.16 in x 13 in x 1.8 in / 12 in)	100 ea / bundle
200079375	#6 Galvanized Screws	1 ¼"	(one lb box) 12 boxes
200079376	#6 Galvanized Screws	2"	(one lb box) 12 boxes



OUR RECYCLING STORY

Since 1997 Epic Plastics has set the standard for recycling in California, creating high quality and environmentally friendly landscape products from post consumer recycled plastics. Epic Plastics has converted over 300 million shampoo, milk and other HDPE #2 bottles into premier products, including recycled Benda Board®, diverting over 15 million pounds of post consumer plastic from international landfills each year. Epic Plastics produces over 11 miles of Benda Board® daily and continues to set the standard for landscape edging products.

Landscape contractors and homeowners can find Epic Plastics' products in over 750 professional landscape and irrigation supply houses throughout the United States.

Epic Plastics is a division of Basalite Concrete Products, a subsidiary of the Pacific Coast Building Products family of companies.

THE PROCESS





BENDA BOARD® | REDWOOD/3.47 CM



RECYCLED LANDSCAPE EDGING

104 E Turner Road
Lodi, California 95240
(209) 333-6161

PROUDLY MADE IN THE USA EXCLUSIVELY WITH RECYCLED PLASTIC

A Division of Basalite Building Products, LLC